



US00D903551S

(12) **United States Design Patent** (10) **Patent No.:** **US D903,551 S**  
**Kim et al.** (45) **Date of Patent:** **\*\* Dec. 1, 2020**

(54) **VEHICLE REAR LOWER BUMPER COVER**

(71) Applicant: **Ford Global Technologies, LLC**,  
Dearborn, MI (US)  
(72) Inventors: **Sooyoung Kim**, Northville, MI (US);  
**Thomas Marminc**, Ferndale, MI (US);  
**Damon G. Depeyster**, Northville, MI  
(US); **Gordon M. Platto**, Troy, MI  
(US)

(73) Assignee: **Ford Global Technologies, LLC**,  
Dearborn, MI (US)

(\*\*) Term: **15 Years**

(21) Appl. No.: **29/724,083**

(22) Filed: **Feb. 12, 2020**

**Related U.S. Application Data**

(62) Division of application No. 29/650,711, filed on Jun. 8, 2018, now Pat. No. Des. 875,623.

(51) **LOC (12) Cl.** ..... **12-16**

(52) **U.S. Cl.**  
USPC ..... **D12/169**

(58) **Field of Classification Search**  
USPC ..... D12/163, 86, 88, 90, 91, 92, 169, 171,  
D12/216, 222; 296/180.1, 180.2;  
293/102, 113, 115, 117, 120  
CPC ... B60R 19/50; B60R 19/52; B60R 2019/525;  
B60R 19/02; B60R 19/04; B60K 11/08;  
B60K 11/085; B62D 25/08; B62D 25/084  
See application file for complete search history.

(56) **References Cited**

**U.S. PATENT DOCUMENTS**

D610,503 S ‡ 2/2010 Bucher ..... D12/16  
D610,504 S ‡ 2/2010 Bucher ..... D12/16

D678,146 S ‡ 3/2013 Behmer ..... D12/169  
D727,805 S ‡ 4/2015 Grake ..... D12/169  
D746,738 S ‡ 1/2016 Wolff ..... D12/169  
D751,008 S ‡ 3/2016 Behmer ..... D12/16  
D763,744 S ‡ 8/2016 Behmer ..... D12/16  
D811,963 S ‡ 3/2018 Sullivan ..... D12/169  
D813,743 S ‡ 3/2018 Lee ..... D12/169  
D813,744 S ‡ 3/2018 Whitla ..... D12/169  
D813,754 S ‡ 3/2018 Loeb ..... D12/169  
D816,563 S ‡ 5/2018 McMahan ..... D12/169  
D822,555 S \* 7/2018 Platto ..... D12/169  
D822,556 S \* 7/2018 Platto ..... D12/169  
D826,802 S \* 8/2018 Platto ..... D12/169  
D832,157 S ‡ 10/2018 Svensson ..... D12/169  
D861,539 S \* 10/2019 Schmolz ..... D12/92  
D866,418 S \* 11/2019 Peplowski ..... D12/169  
D867,234 S \* 11/2019 Peplowski ..... D12/169  
D868,649 S \* 12/2019 Woodhouse ..... D12/169  
D873,716 S \* 1/2020 Badstuebner ..... D12/169

\* cited by examiner

‡ imported from a related application

*Primary Examiner* — Cathron C Brooks  
*Assistant Examiner* — Yolanda Robinson

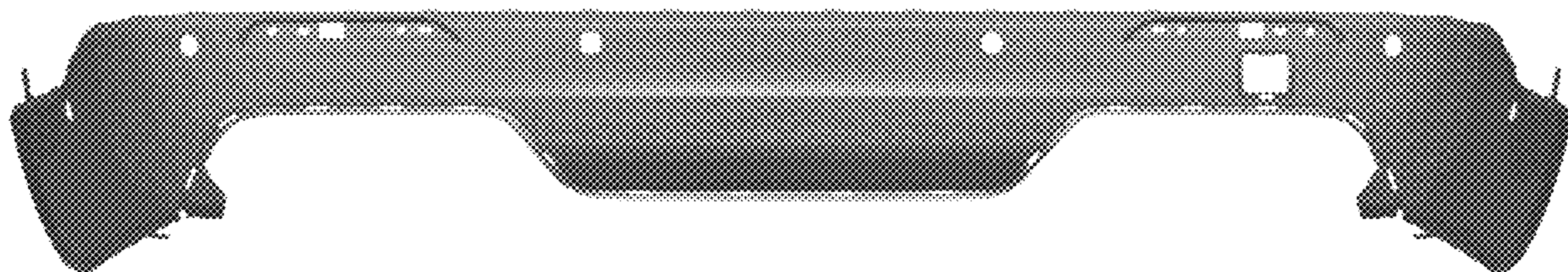
(57) **CLAIM**

The ornamental design for a vehicle rear lower bumper cover, as shown and described.

**DESCRIPTION**

FIG. 1 is a front elevational view of a vehicle rear lower bumper cover, showing our new design;  
FIG. 2 is a left side elevational view thereof;  
FIG. 3 is a right side elevational view thereof;  
FIG. 4 is a top plan view thereof;  
FIG. 5 is a bottom plan view thereof;  
FIG. 6 is a bottom, front and left side perspective view thereof; and,  
FIG. 7 is a top, front and left side perspective view thereof.

**1 Claim, 7 Drawing Sheets**



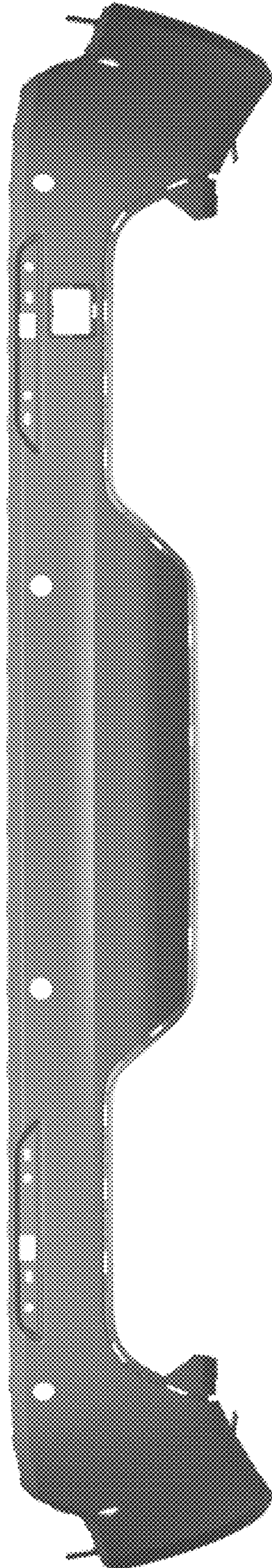


Fig. 1

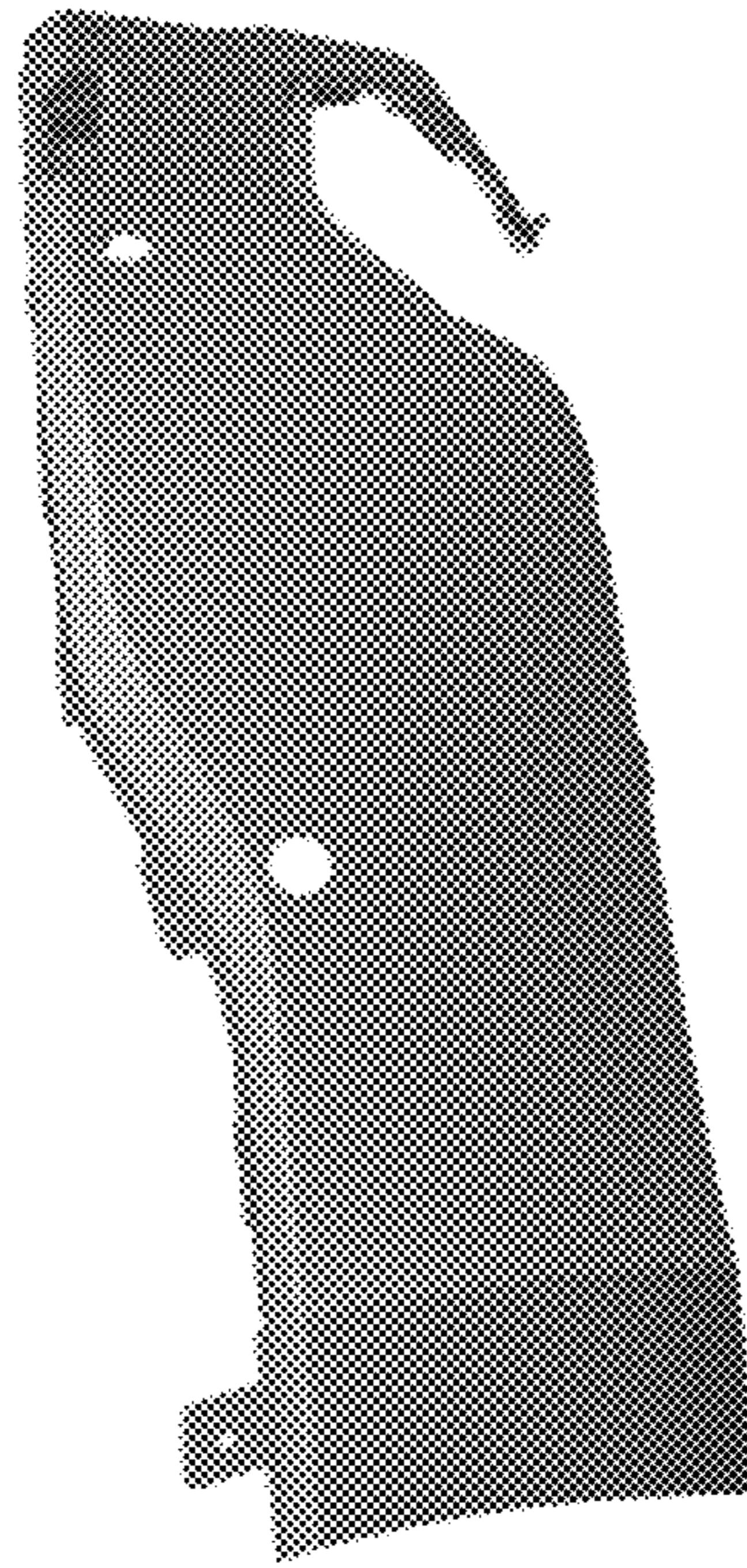


Fig. 2

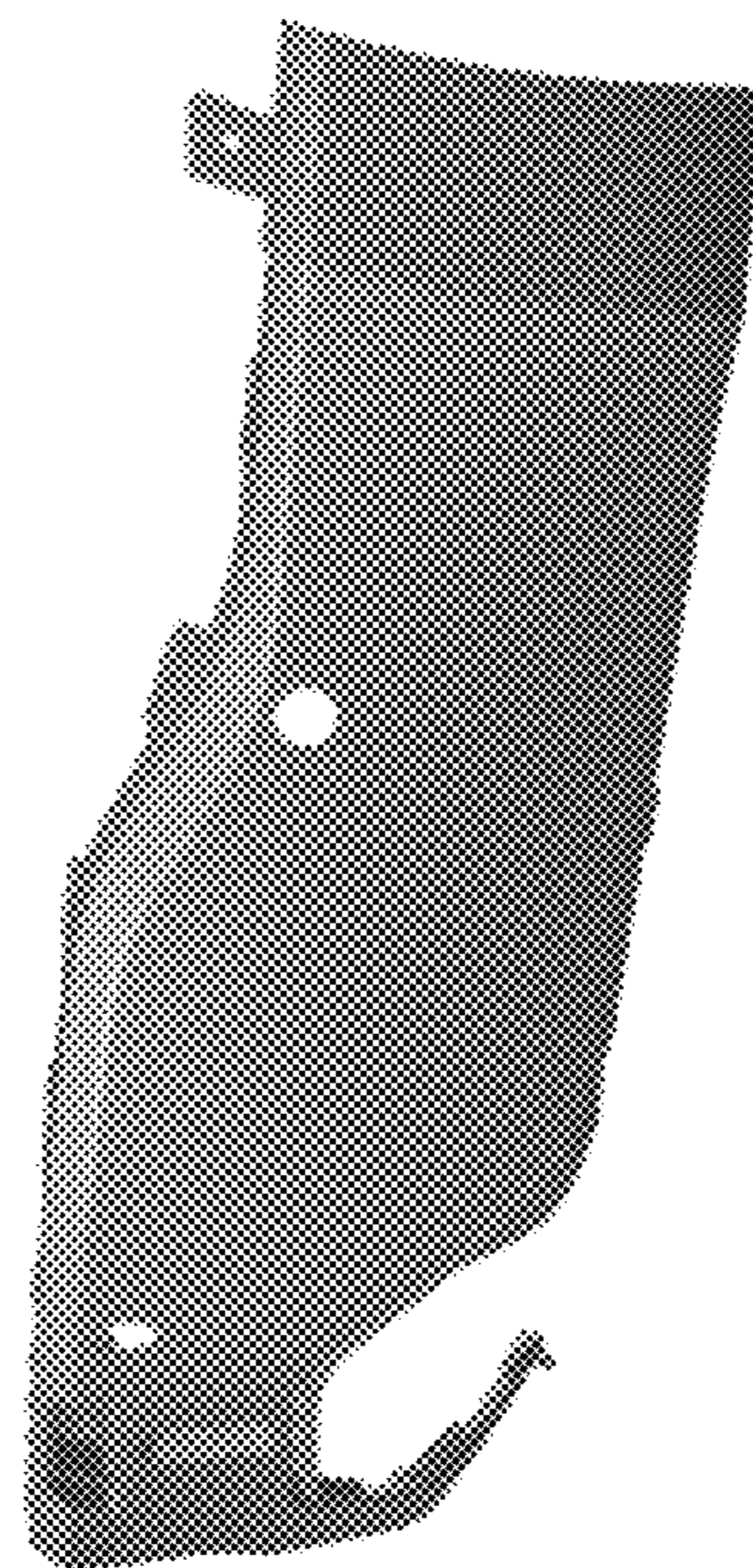


Fig. 3

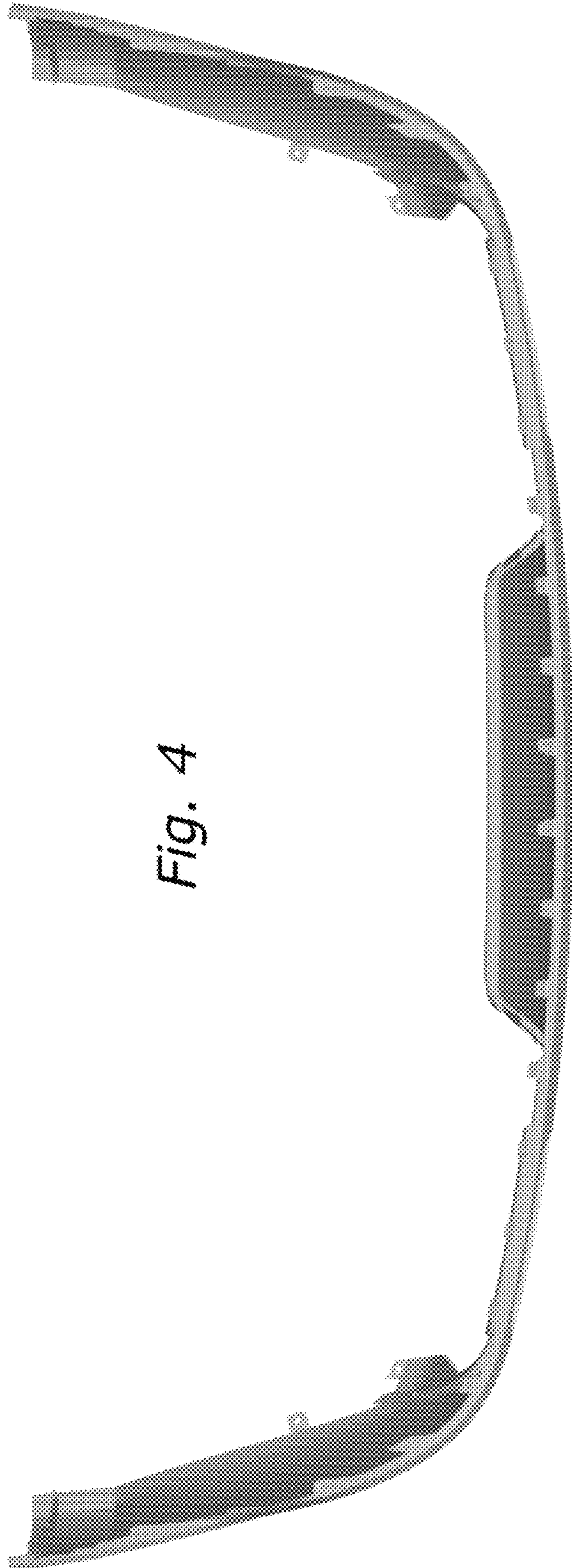


Fig. 4

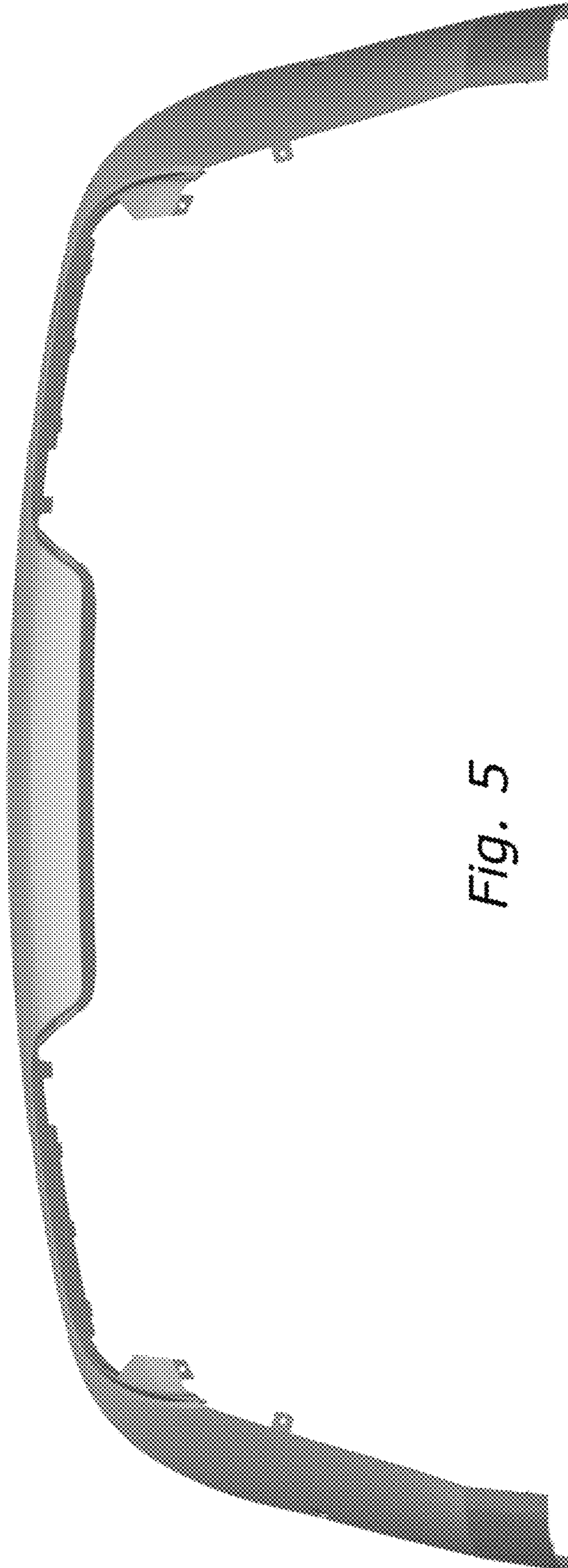


Fig. 5

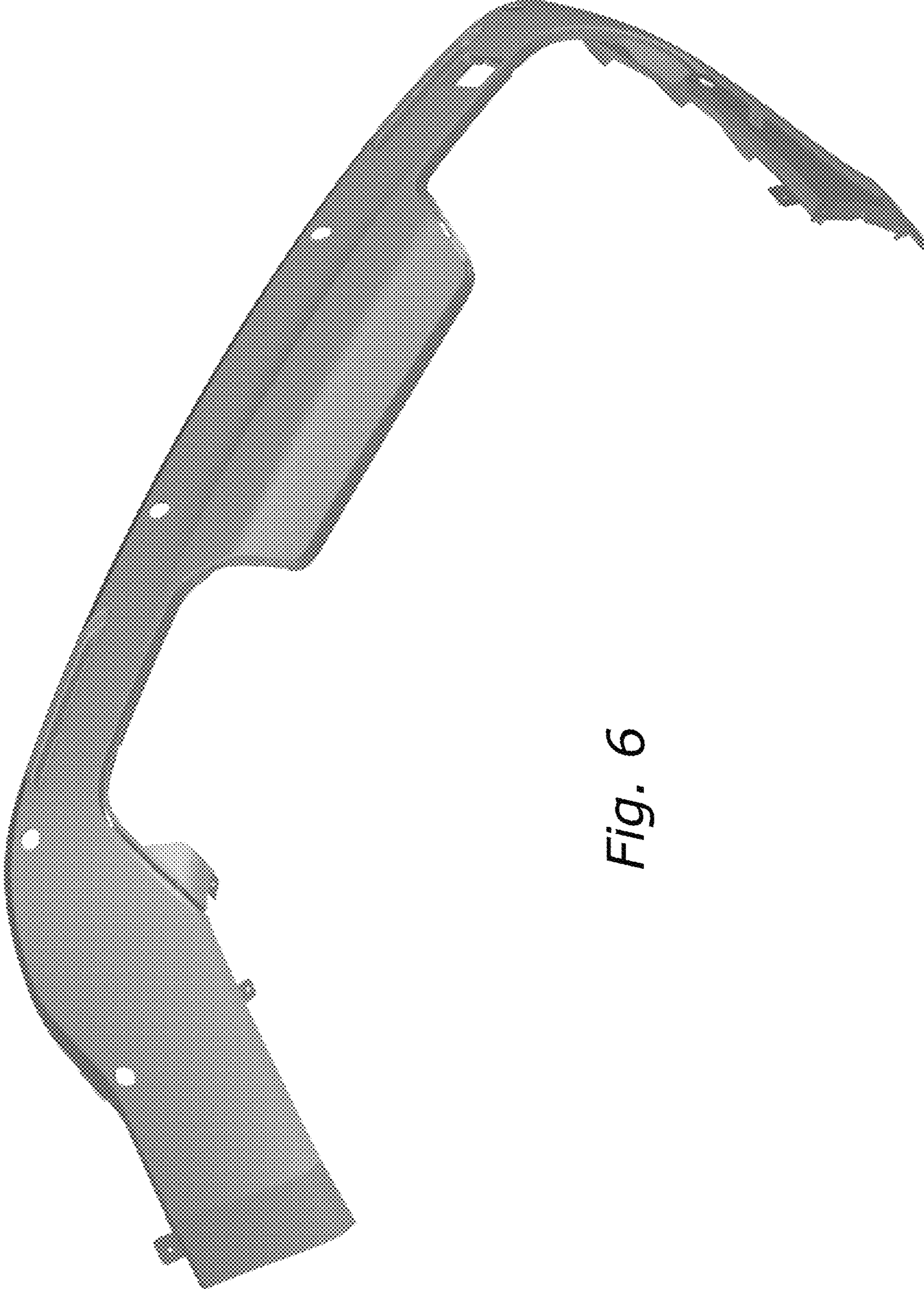


Fig. 6

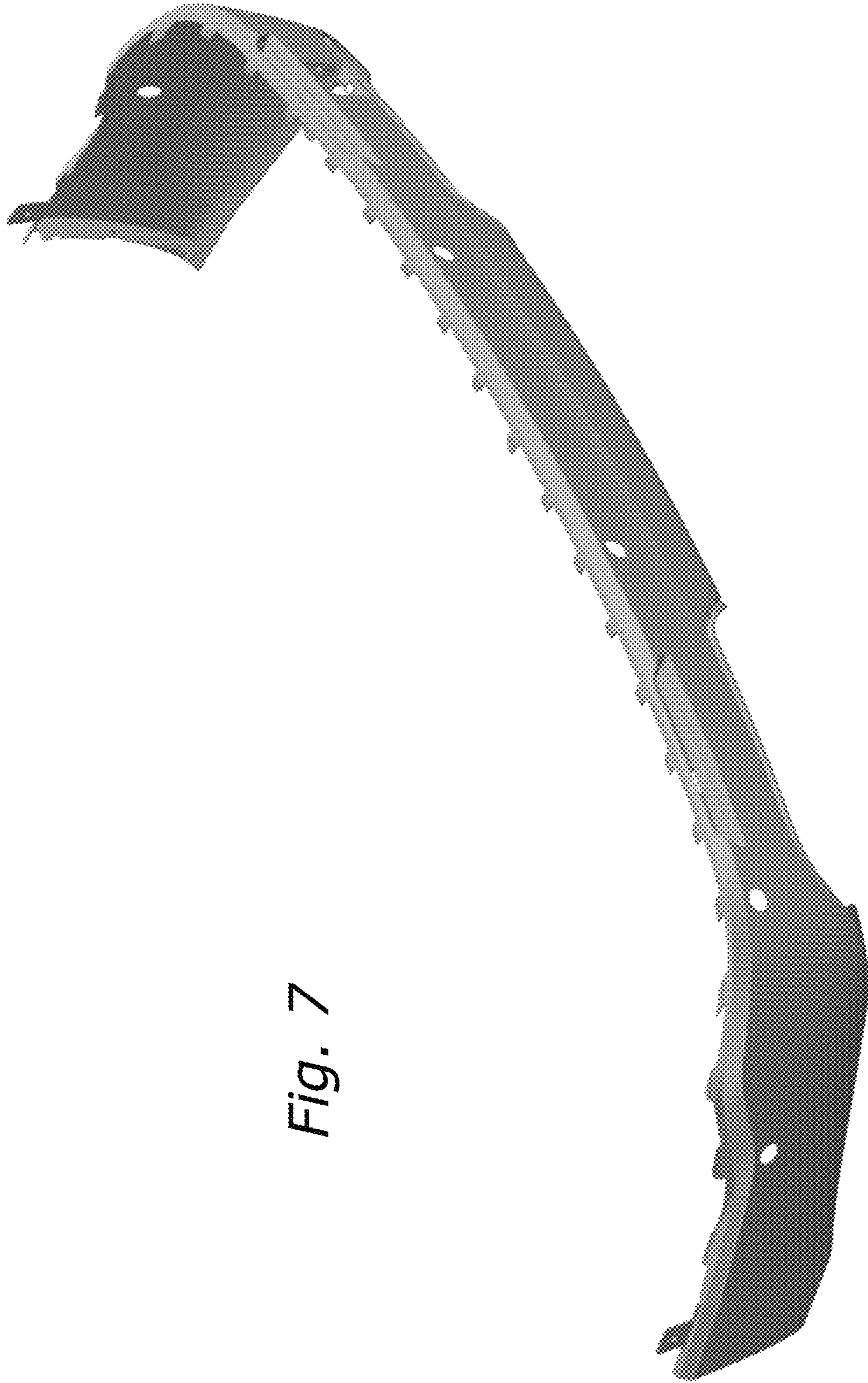


Fig. 7