



US00D903548S

(12) **United States Design Patent** (10) **Patent No.:** **US D903,548 S**
Kim et al. (45) **Date of Patent:** **** Dec. 1, 2020**

(54) **VEHICLE REAR LOWER BUMPER COVER**

(71) Applicant: **Ford Global Technologies, LLC**,
Dearborn, MI (US)
(72) Inventors: **Sooyoung Kim**, Northville, MI (US);
Thomas Marminc, Ferndale, MI (US);
Damon G. Depeyster, Northville, MI
(US); **Gordon M. Platto**, Troy, MI
(US)

(73) Assignee: **Ford Global Technologies, LLC**,
Dearborn, MI (US)

(**) Term: **15 Years**

(21) Appl. No.: **29/723,887**

(22) Filed: **Feb. 11, 2020**

Related U.S. Application Data

(62) Division of application No. 29/650,705, filed on Jun.
8, 2018, now Pat. No. Des. 874,994.

(51) **LOC (12) Cl.** **12-16**

(52) **U.S. Cl.**
USPC **D12/169**

(58) **Field of Classification Search**
USPC D12/163, 86, 88, 90, 91, 92, 169, 171,
D12/216, 222; 296/180.1, 180.2;
293/102, 113, 115, 117, 120
CPC ... B60R 19/50; B60R 19/52; B60R 2019/525;
B60R 19/02; B60R 19/04; B60K 11/08;
B60K 11/085; B62D 25/08; B62D 25/084
See application file for complete search history.

(56) **References Cited**

U.S. PATENT DOCUMENTS

D610,503 S ‡ 2/2010 Bucher D12/16
D610,504 S ‡ 2/2010 Bucher D12/16

D675,137 S * 1/2013 Hamilton D12/169
D683,669 S * 6/2013 Giachin D12/169
D695,164 S * 12/2013 Futschik D12/169
D698,708 S * 2/2014 Rugar D12/169
D751,008 S ‡ 3/2016 Behmer D12/16
D763,744 S ‡ 8/2016 Behmer D12/16
D787,386 S ‡ 5/2017 Chang D12/169
D802,497 S ‡ 11/2017 Park D12/169
D809,981 S ‡ 2/2018 Seo D12/169
D811,963 S ‡ 3/2018 Sullivan D12/169
D814,995 S * 4/2018 Bucher D12/169
D838,636 S ‡ 1/2019 Behmer D12/169
D854,984 S * 7/2019 Dewitt D12/169
D855,509 S * 8/2019 Wilkins D12/169
D869,358 S * 12/2019 Betancourt D12/169
D870,608 S * 12/2019 Dewitt D12/169
D874,994 S * 2/2020 Kim D12/169
D888,614 S * 6/2020 Melville-Brown D12/91
2019/0237866 A1 ‡ 8/2019 Kiyokawa B60R 1/00

* cited by examiner

‡ imported from a related application

Primary Examiner — Cathron C Brooks
Assistant Examiner — Yolanda Robinson

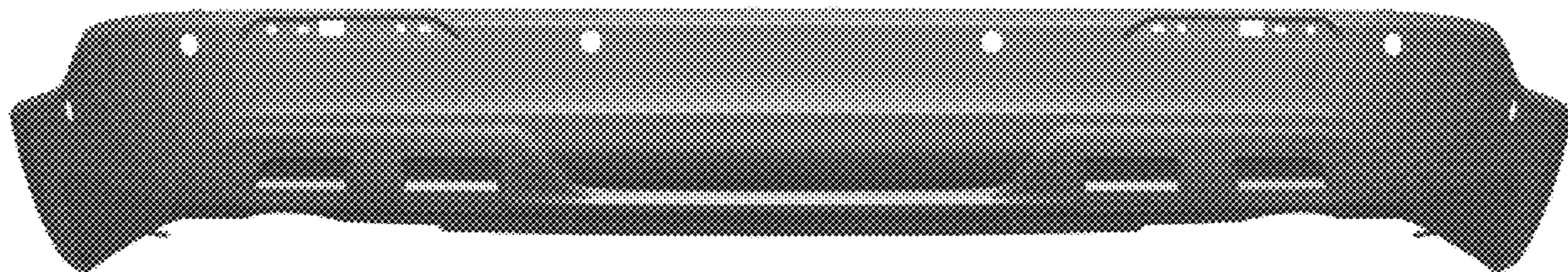
(57) **CLAIM**

The ornamental design for a vehicle rear lower bumper
cover, as shown and described.

DESCRIPTION

FIG. 1 is a front elevational view of a vehicle rear lower
bumper cover, showing our new design;
FIG. 2 is a left side elevational view thereof;
FIG. 3 is a right side elevational view thereof;
FIG. 4 is a top plan view thereof;
FIG. 5 is a bottom plan view thereof;
FIG. 6 is a bottom, front and left side perspective view
thereof; and,
FIG. 7 is a top, front and left side perspective view thereof.

1 Claim, 7 Drawing Sheets



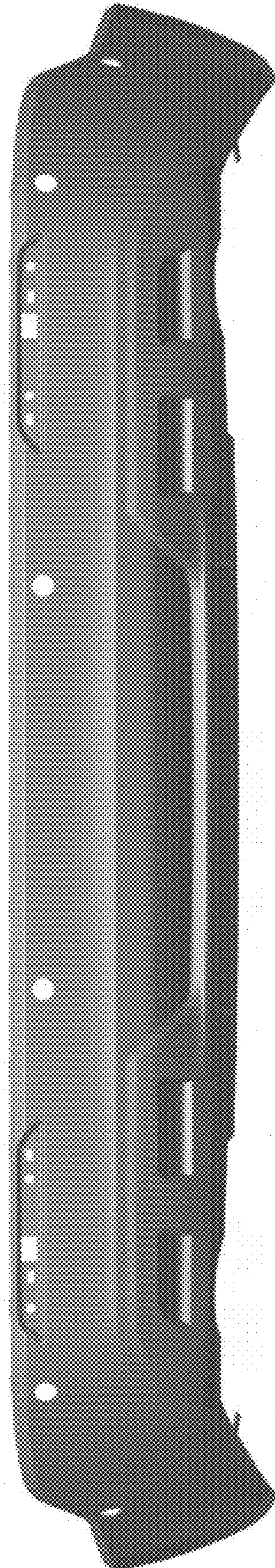


Fig. 1

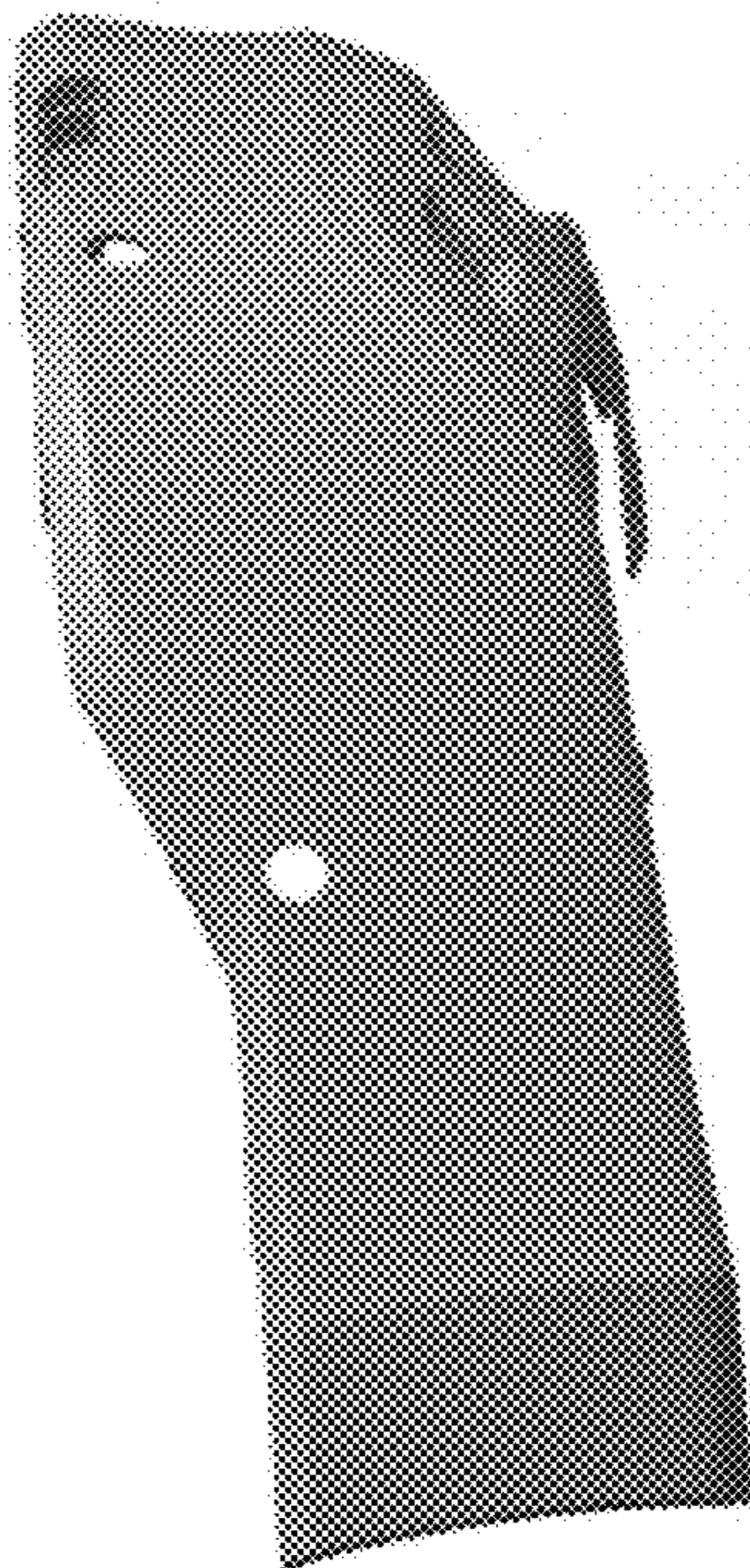


Fig. 2

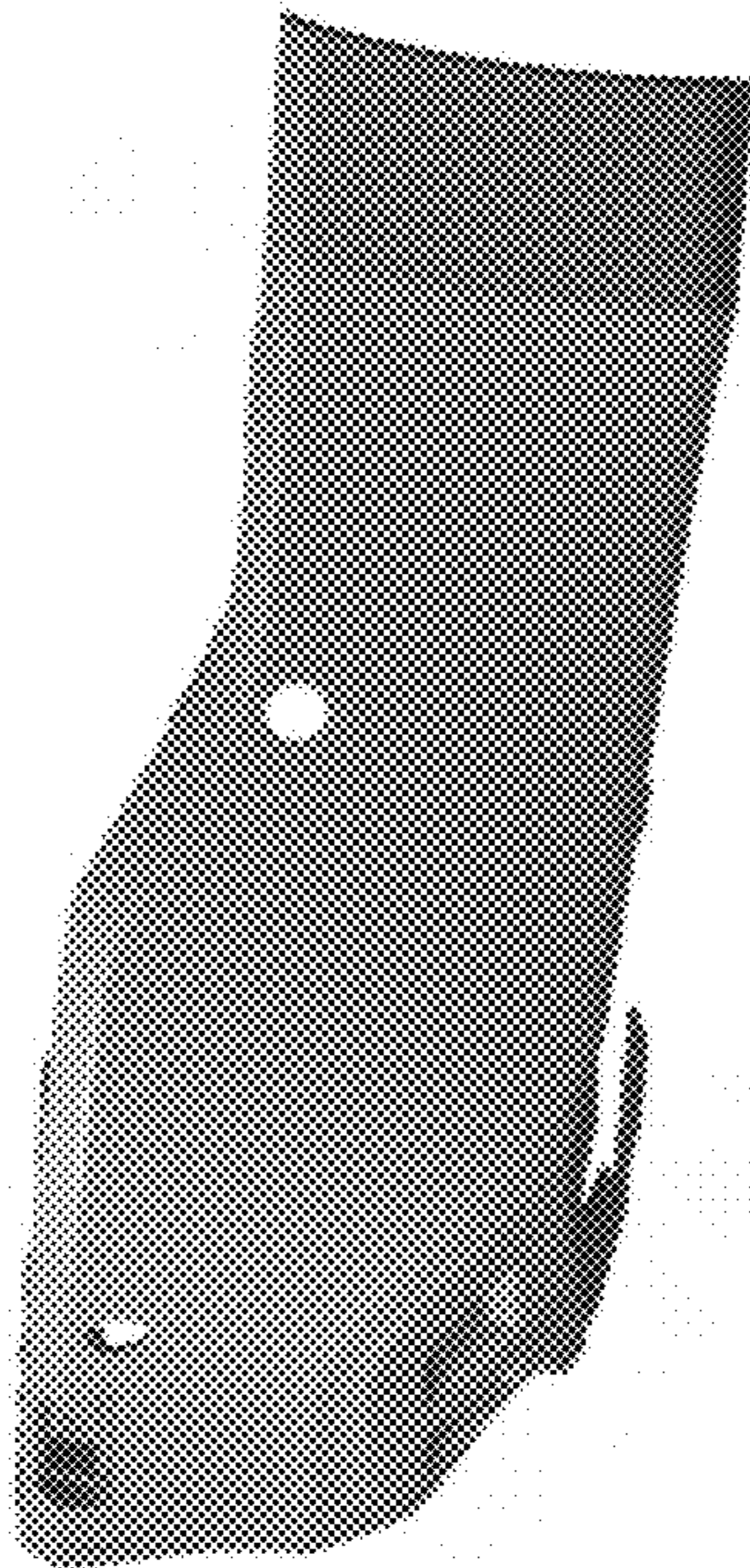


Fig. 3

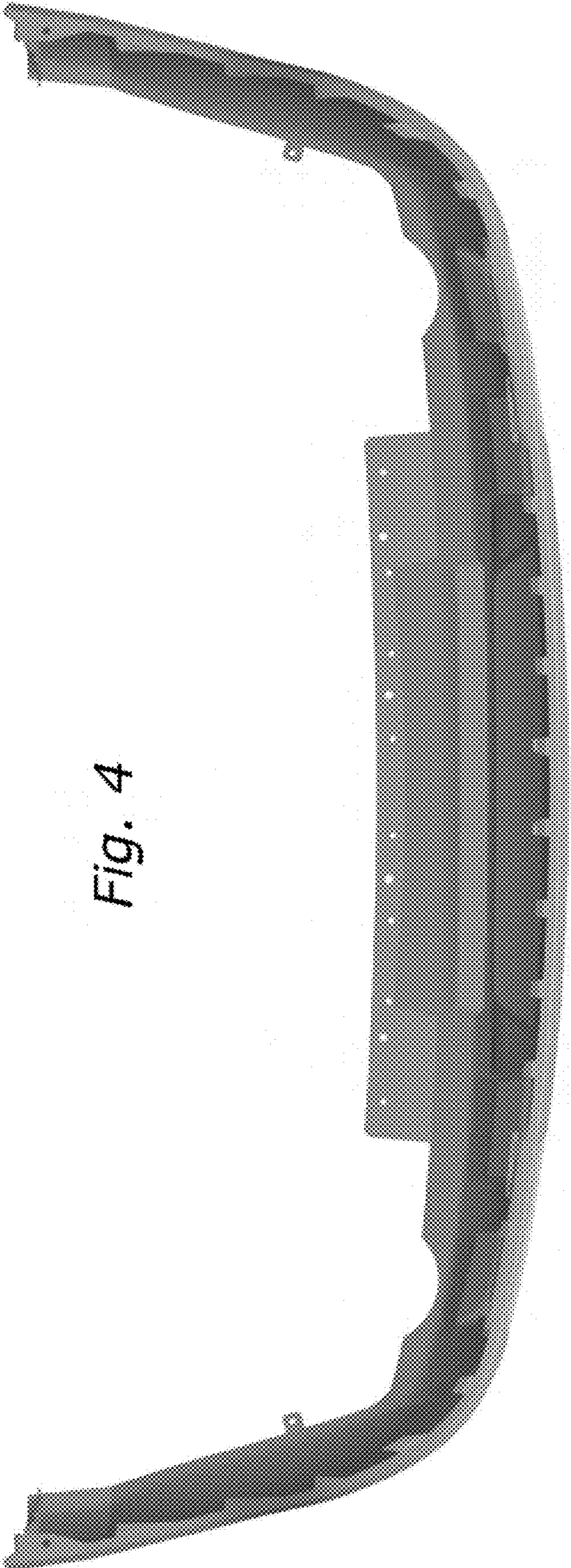


Fig. 4

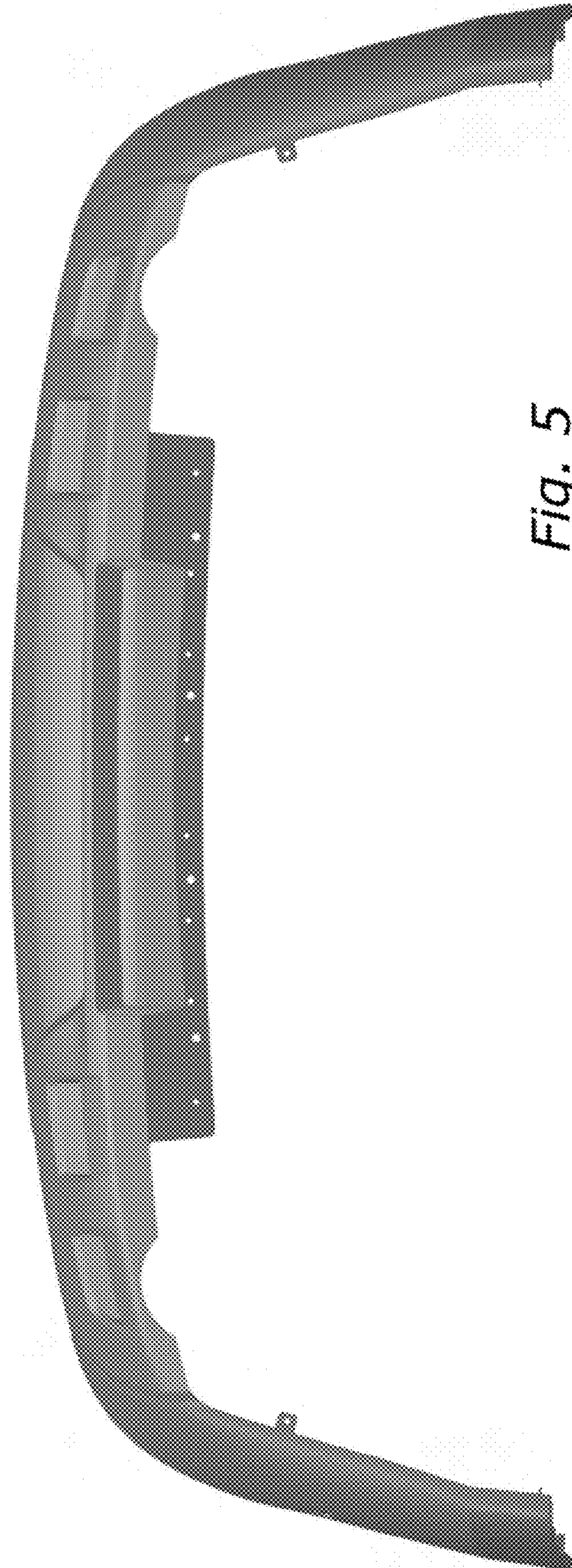


Fig. 5

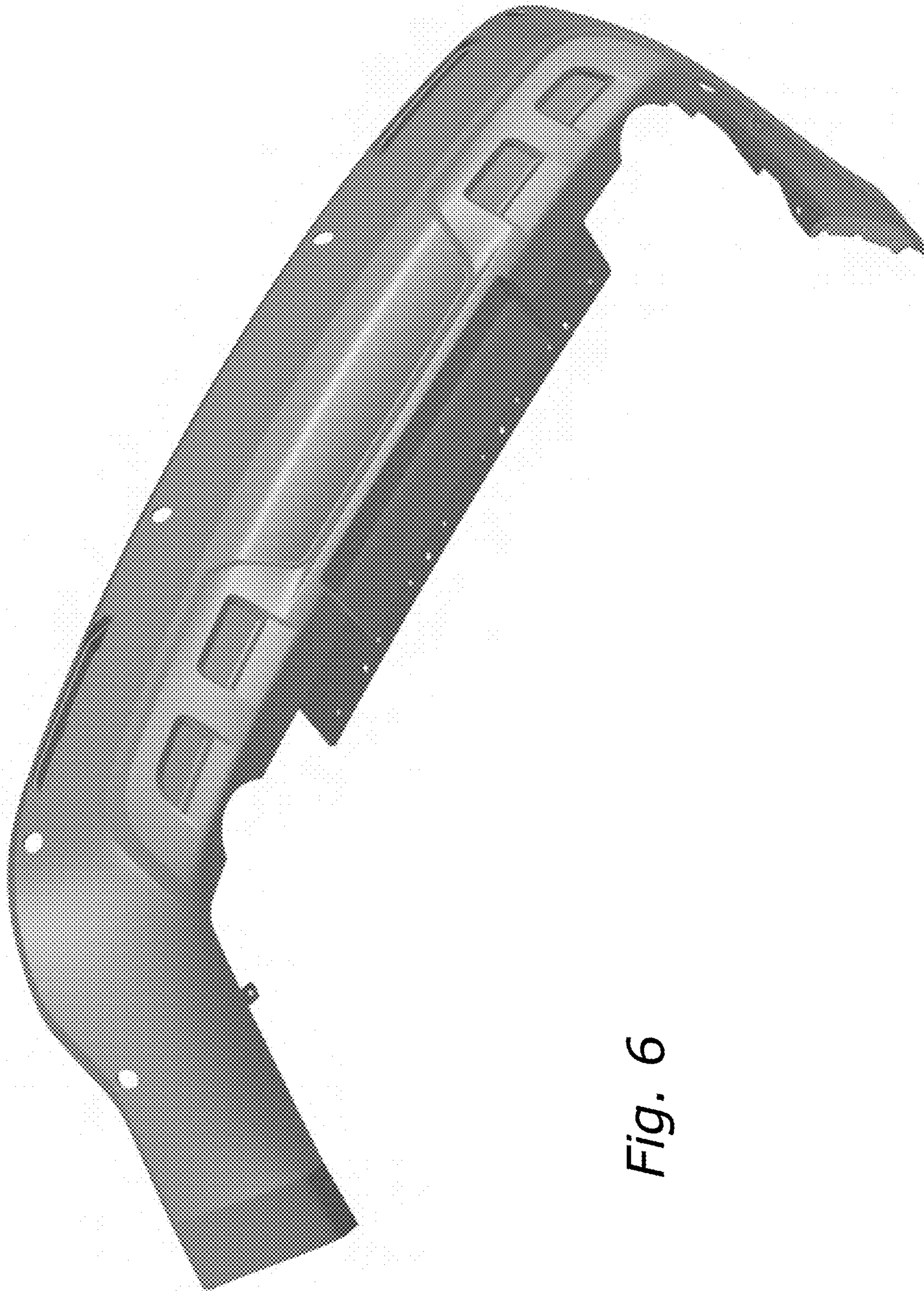


Fig. 6

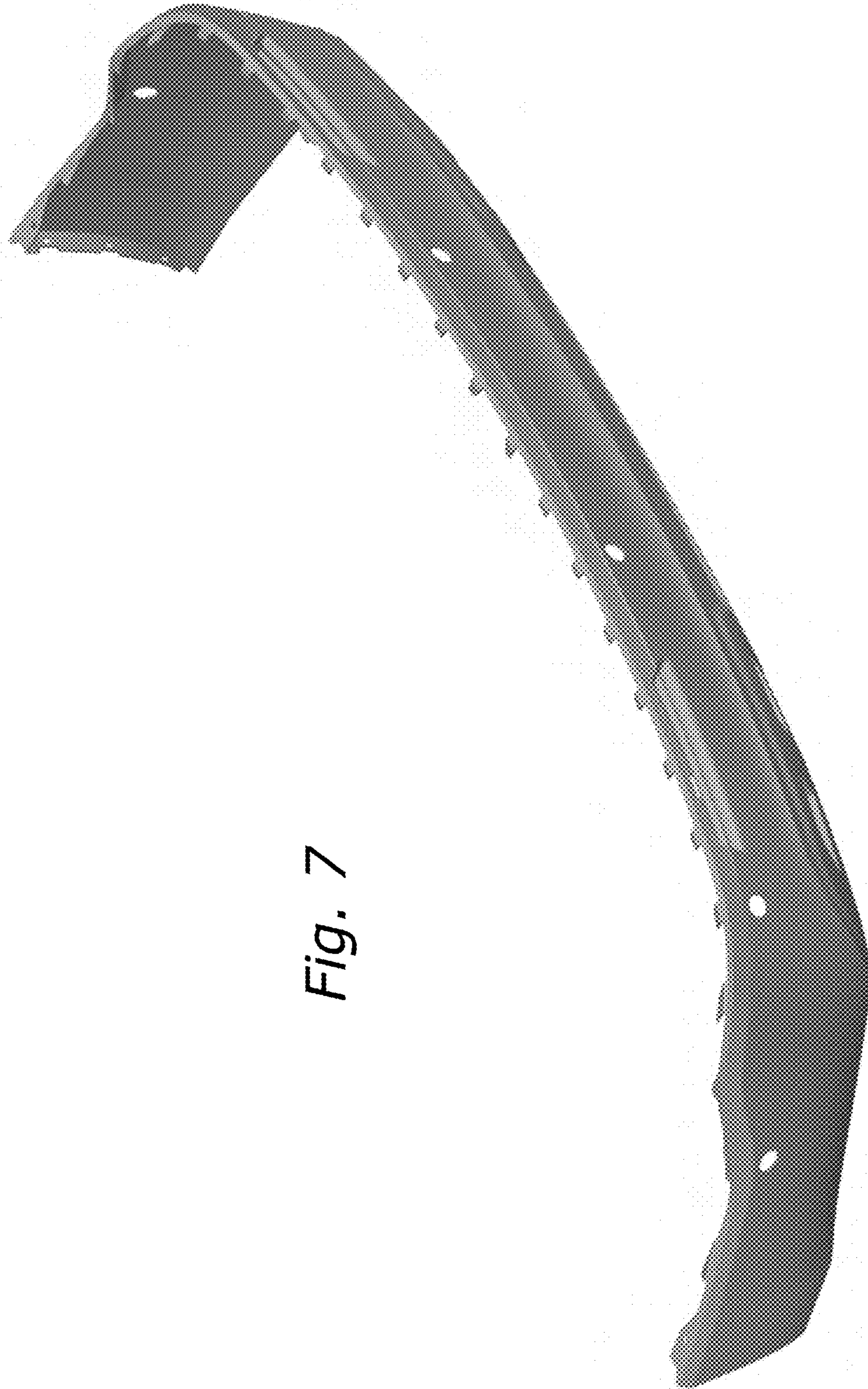


Fig. 7