



US00D903544S

(12) **United States Design Patent** (10) **Patent No.:** **US D903,544 S**
Park et al. (45) **Date of Patent:** **** Dec. 1, 2020**

(54) **VEHICLE FRONT LOWER BUMPER COVER**

(71) Applicant: **Ford Global Technologies, LLC,**
Dearborn, MI (US)

(72) Inventors: **Dong H. Park,** Canton, MI (US);
Soohyoung Kim, Northville, MI (US);
Thomas Marmine, Ferndale, MI (US);
Damon G. Depeyster, Northville, MI
(US); **Gordon M. Platto,** Troy, MI
(US)

(73) Assignee: **Ford Global Technologies, LLC,**
Dearborn, MI (US)

(**) Term: **15 Years**

(21) Appl. No.: **29/723,846**

(22) Filed: **Feb. 11, 2020**

Related U.S. Application Data

(62) Division of application No. 29/650,698, filed on Jun. 8, 2018, now Pat. No. Des. 874,992.

(51) **LOC (12) Cl.** **12-16**

(52) **U.S. Cl.**
USPC **D12/169**

(58) **Field of Classification Search**
USPC D12/163, 86, 88, 90, 91, 92, 169, 171,
D12/216, 222; 296/180.1, 180.2;
293/102, 113, 115, 117, 120
CPC ... B60R 19/50; B60R 19/52; B60R 2019/525;
B60R 19/02; B60R 19/04; B60K 11/08;
B60K 11/085; B62D 25/08; B62D 25/084
See application file for complete search history.

(56) **References Cited**

U.S. PATENT DOCUMENTS

D510,502 S ‡ 10/2005 Tollman D7/505
D692,798 S ‡ 11/2013 Thurber D12/91

D731,371 S ‡ 6/2015 Morikawa D12/169
D748,020 S ‡ 1/2016 Behmer D12/16
D771,533 S ‡ 11/2016 Kapitonov D12/169
D793,301 S ‡ 8/2017 Kozub D12/169
D812,528 S ‡ 3/2018 Nakamura D12/169
D814,991 S ‡ 4/2018 Tanaka D12/169
D819,512 S ‡ 6/2018 Behmer D12/163
D819,522 S ‡ 6/2018 Platto D12/169
D860,883 S * 9/2019 Heo D12/167
D863,106 S * 10/2019 Dias D12/91
D863,126 S * 10/2019 Whitla D12/163
D863,133 S * 10/2019 Woodhouse D12/163
D864,050 S * 10/2019 Luke D12/163
D868,642 S * 12/2019 DiCanzio D12/163
D872,652 S * 1/2020 Koyama D12/91
D872,660 S * 1/2020 Bentzen D12/163
D874,992 S * 2/2020 Park D12/169
D874,993 S * 2/2020 Park D12/169
D875,622 S * 2/2020 Park D12/169
2018/0154763 A1 ‡ 6/2018 Dudar B60H 1/00657

* cited by examiner

‡ imported from a related application

Primary Examiner — Cathron C Brooks

Assistant Examiner — Yolanda Robinson

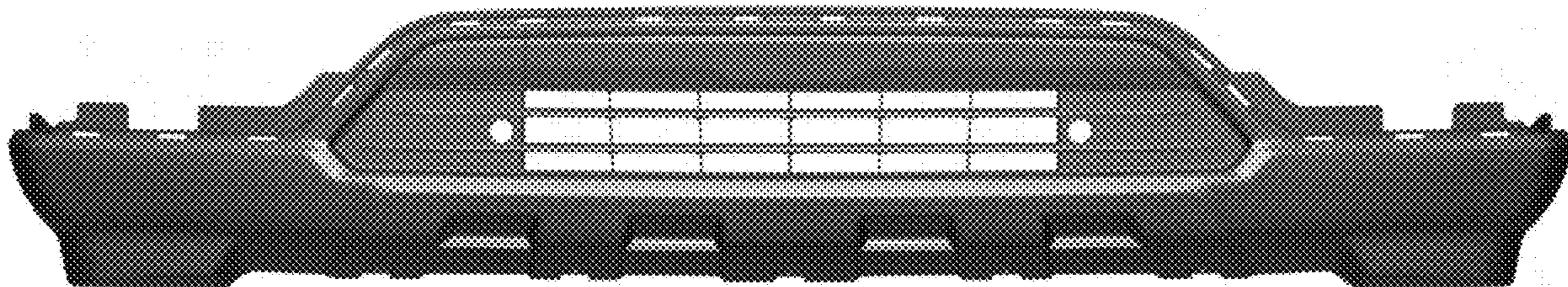
(57) **CLAIM**

The ornamental design for a vehicle front lower bumper cover, as shown and described.

DESCRIPTION

FIG. 1 is a front elevational view of a vehicle front lower bumper cover, showing our new design;
FIG. 2 is a left side elevational view thereof;
FIG. 3 is a right side elevational view thereof;
FIG. 4 is a top plan view thereof;
FIG. 5 is a bottom plan view thereof;
FIG. 6 is a bottom, front and left side perspective view thereof; and,
FIG. 7 is a top, front and left side perspective view thereof.

1 Claim, 7 Drawing Sheets



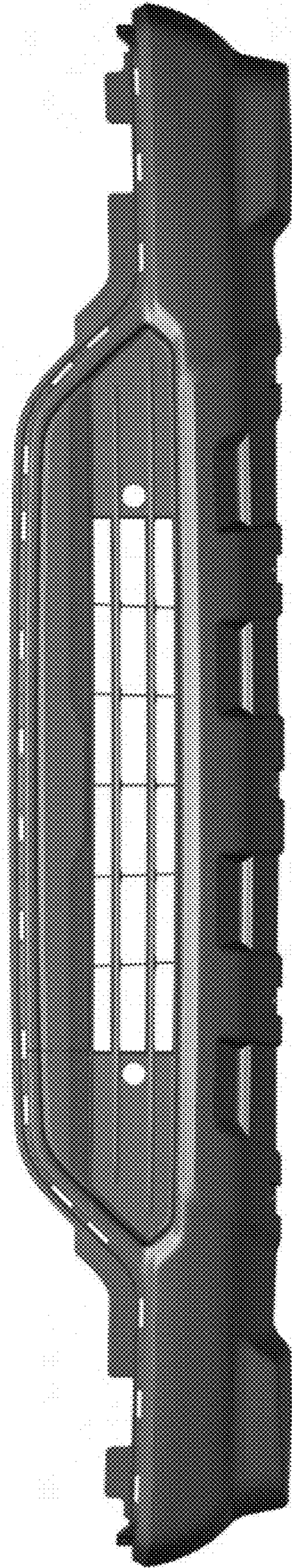


Fig. 1

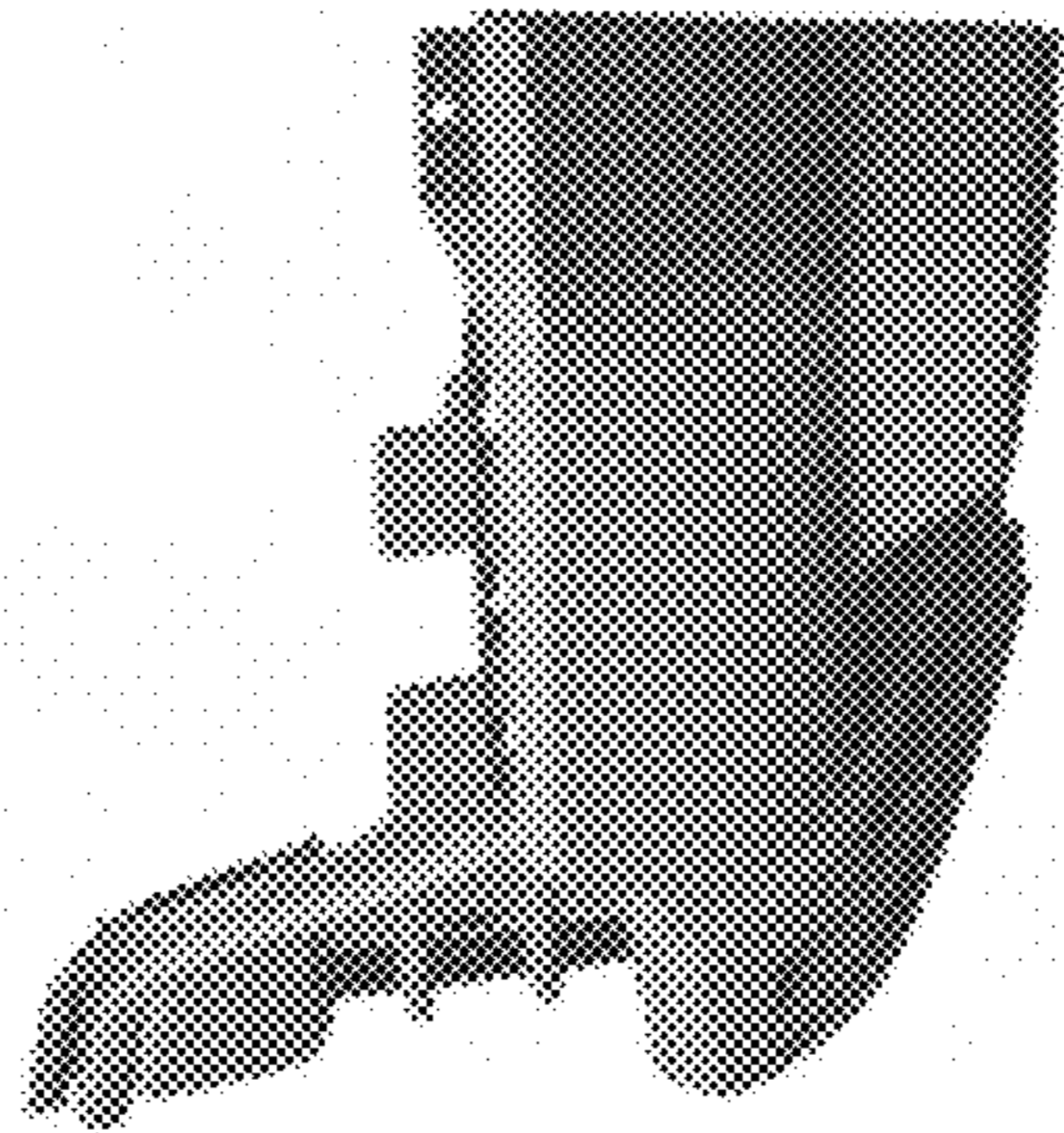


Fig. 2

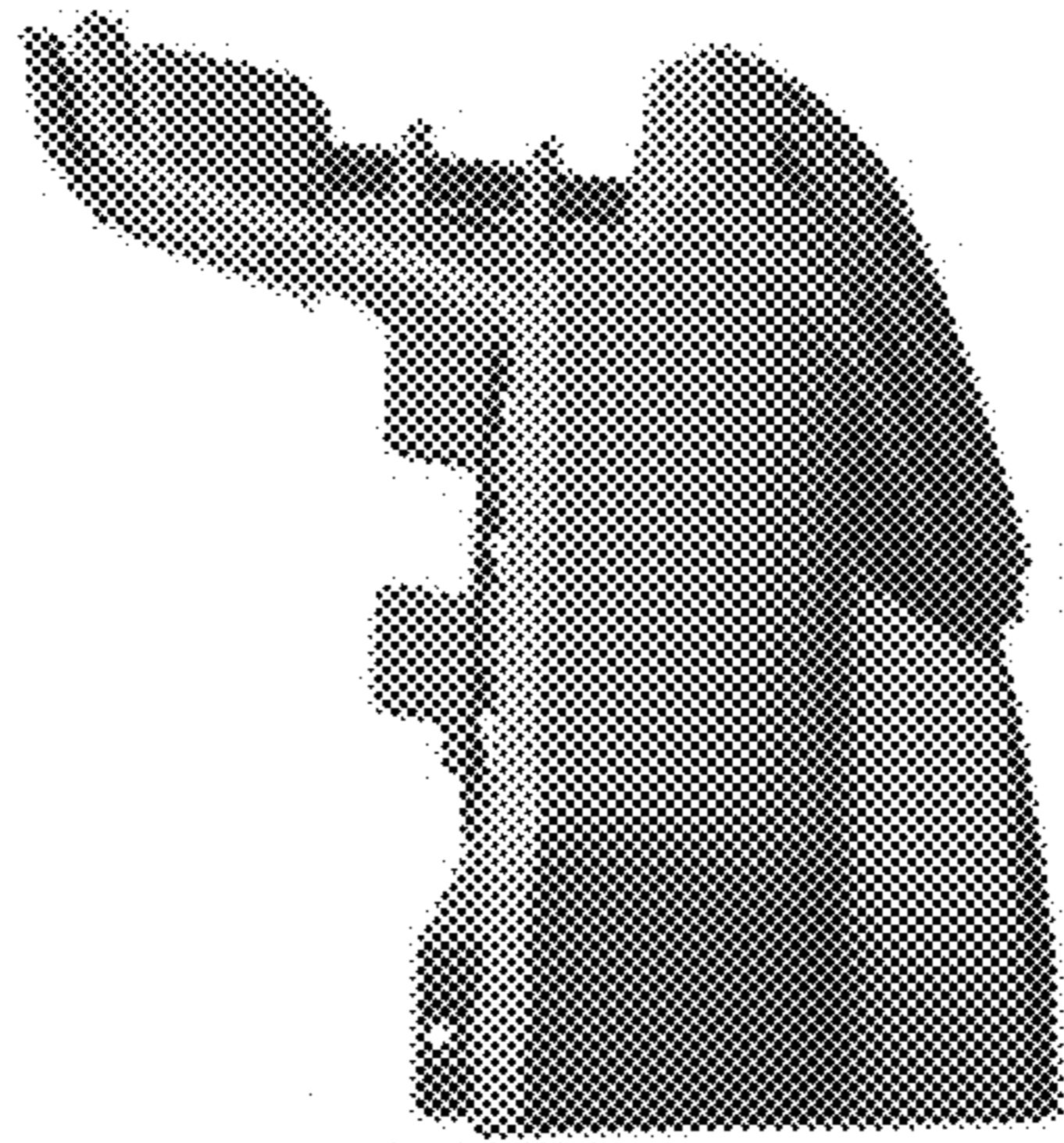
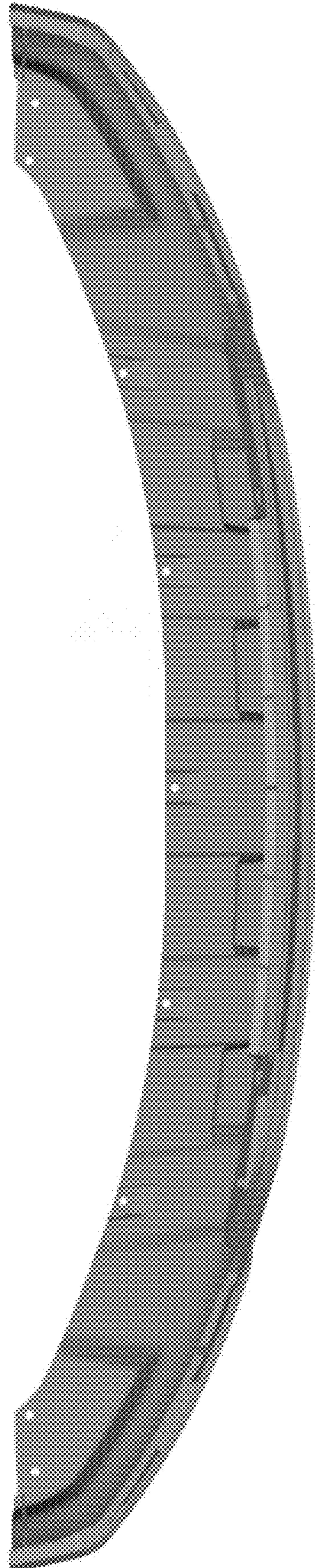


Fig. 3

Fig. 4



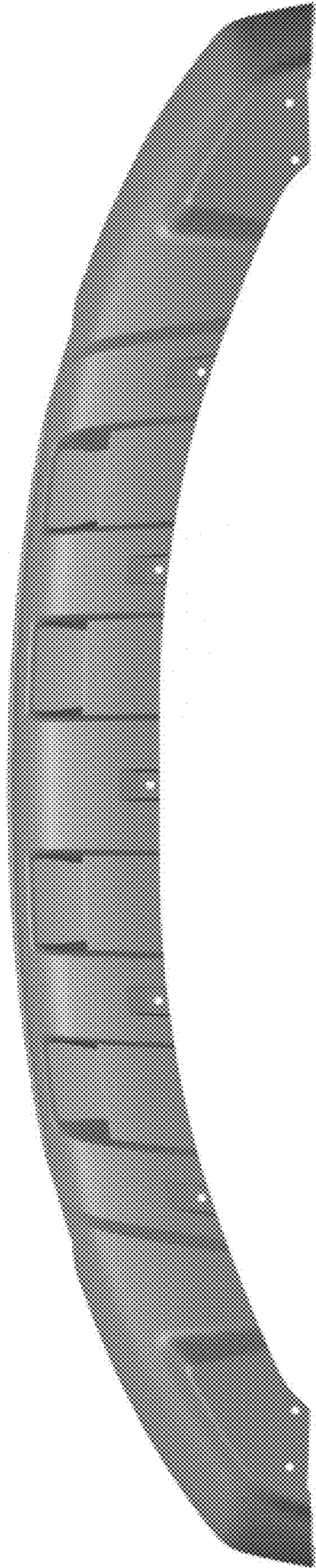


Fig. 5

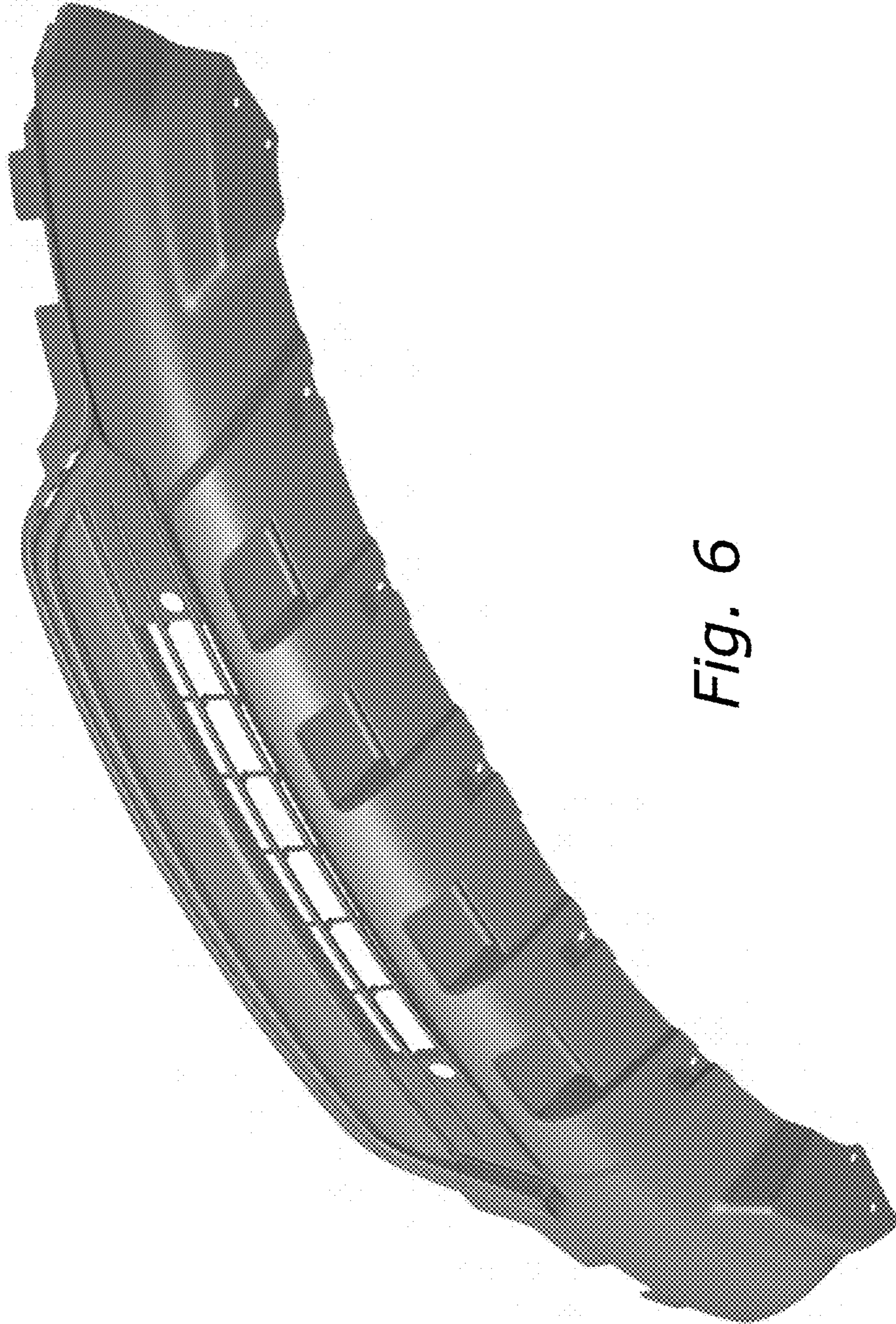


Fig. 6

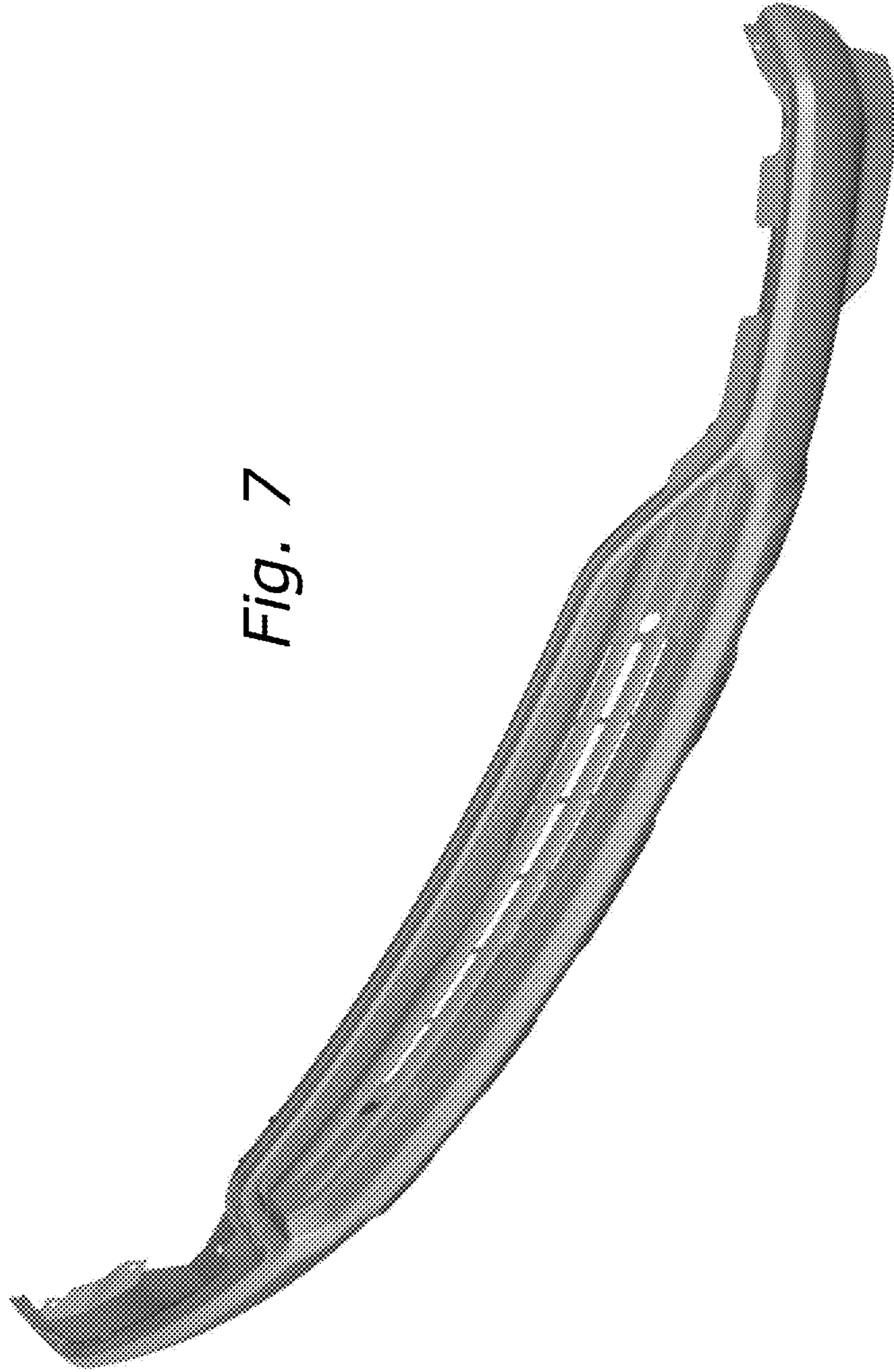


Fig. 7