



US00D903539S

(12) **United States Design Patent** (10) **Patent No.:** **US D903,539 S**
Knopf et al. (45) **Date of Patent:** **** Dec. 1, 2020**

(54) **WHEELCHAIR AXLE TUBE**
(71) Applicant: **Sunrise Medical GmbH**, Heidelberg (DE)
(72) Inventors: **Michael Knopf**, Kaiserslautern (DE); **Felix Ott**, Heidelberg (DE)
(73) Assignee: **Sunrise Medical GmbH**, Heidelberg (DE)
(**) Term: **15 Years**
(21) Appl. No.: **29/697,814**
(22) Filed: **Jul. 11, 2019**
(51) **LOC (12) Cl.** **12-12**
(52) **U.S. Cl.**
USPC **D12/133**
(58) **Field of Classification Search**
USPC D12/128-133
CPC A61G 5/00-14
See application file for complete search history.

(56) **References Cited**
U.S. PATENT DOCUMENTS
D506,419 S * 6/2005 Coster D12/133
D589,411 S * 3/2009 Brown D12/133
D631,403 S * 1/2011 Knopf D12/133

D731,366 S * 6/2015 Gingras D12/133
D743,305 S * 11/2015 Childs D12/133
D765,564 S * 9/2016 Stierli D12/133
D770,334 S * 11/2016 Dahlin D12/133
D780,642 S * 3/2017 Karshmer D12/133
D789,257 S * 6/2017 Bucher D12/133
D795,754 S * 8/2017 Zellers, Sr. D12/133
D834,462 S * 11/2018 Kutsch D12/133
D867,226 S * 11/2019 Gomez D12/133
D874,356 S * 2/2020 Virgo A61H 3/00
D12/133

* cited by examiner

Primary Examiner — Charles D Hanson
(74) *Attorney, Agent, or Firm* — Jones Day

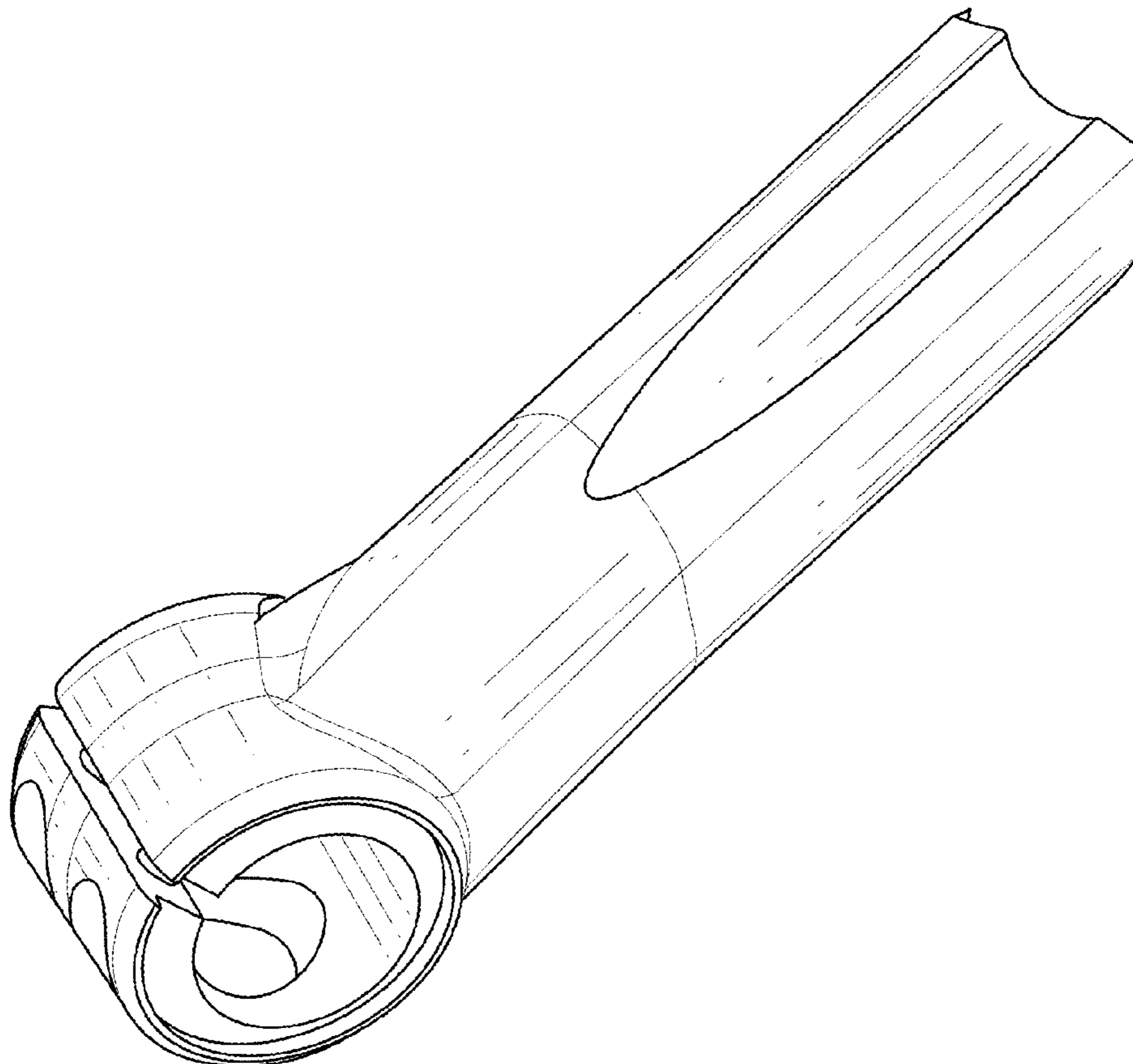
(57) **CLAIM**

The ornamental design for a wheelchair axle tube, as shown and described.

DESCRIPTION

FIG. 1 is a perspective view of a wheelchair axle tube in accordance with the present design;
FIG. 2 is another perspective view thereof;
FIG. 3 is a front elevation view thereof;
FIG. 4 is a rear elevation view thereof;
FIG. 5 is a right side elevation view thereof;
FIG. 6 is a left side elevation view thereof;
FIG. 7 is a top elevation view thereof; and,
FIG. 8 is a bottom elevation view thereof.

1 Claim, 5 Drawing Sheets



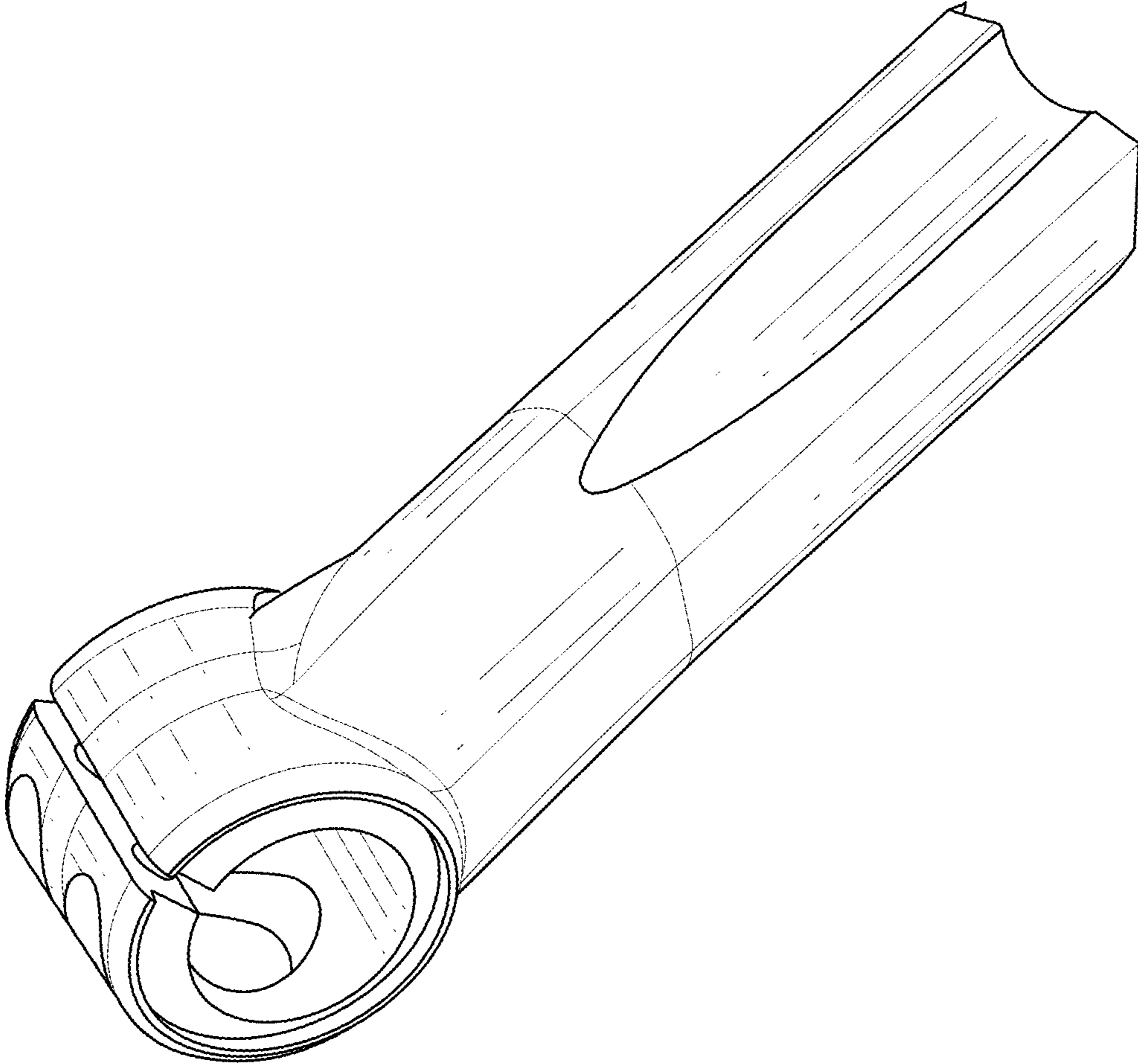


FIG. 1

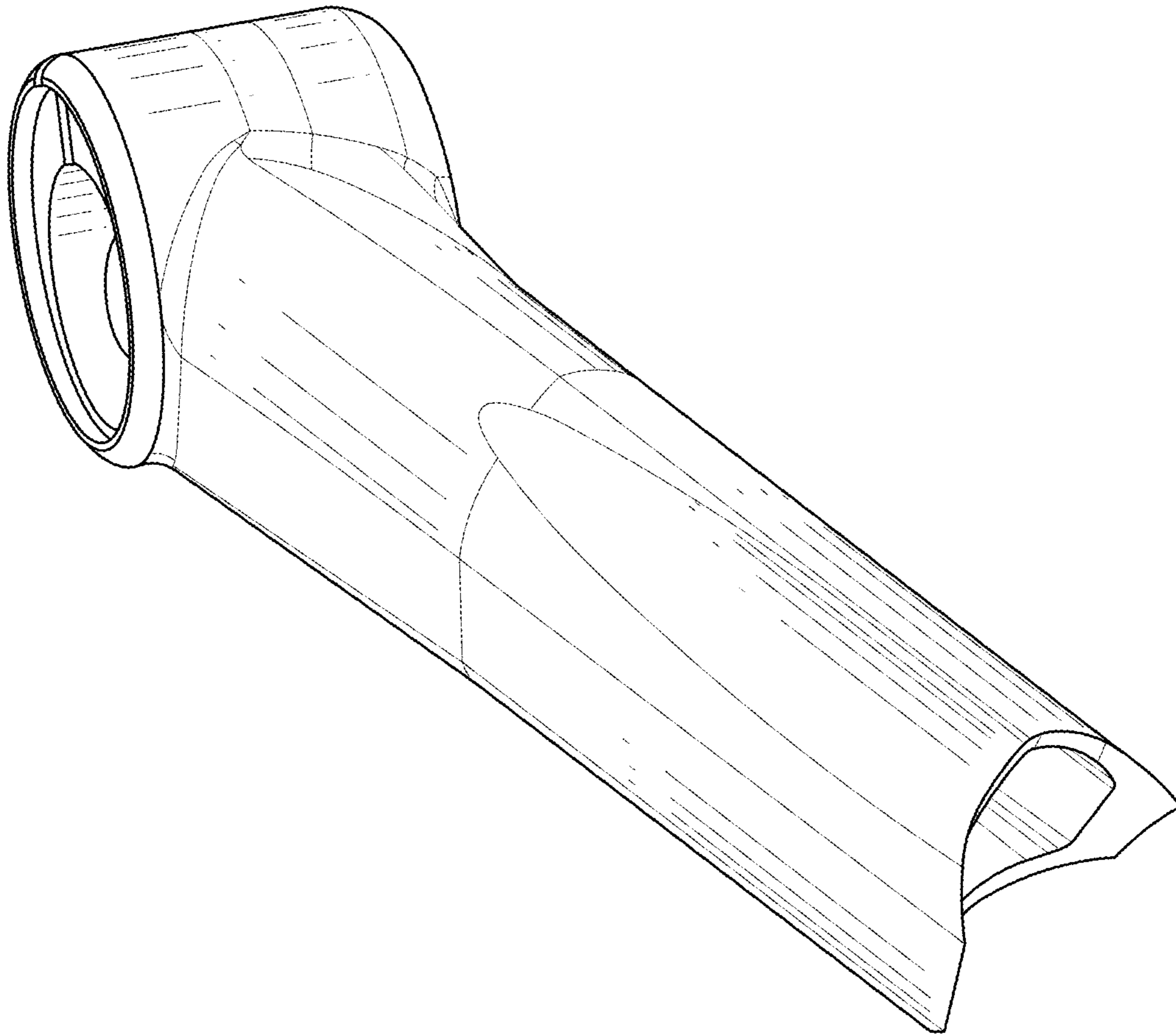


FIG. 2

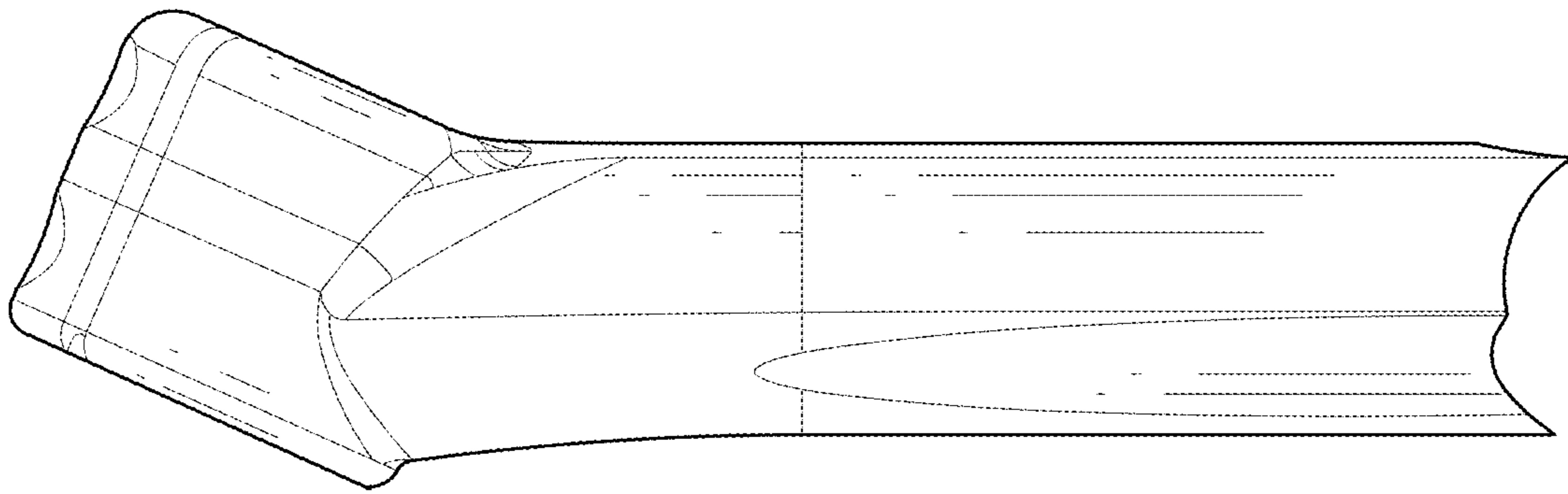


FIG. 3

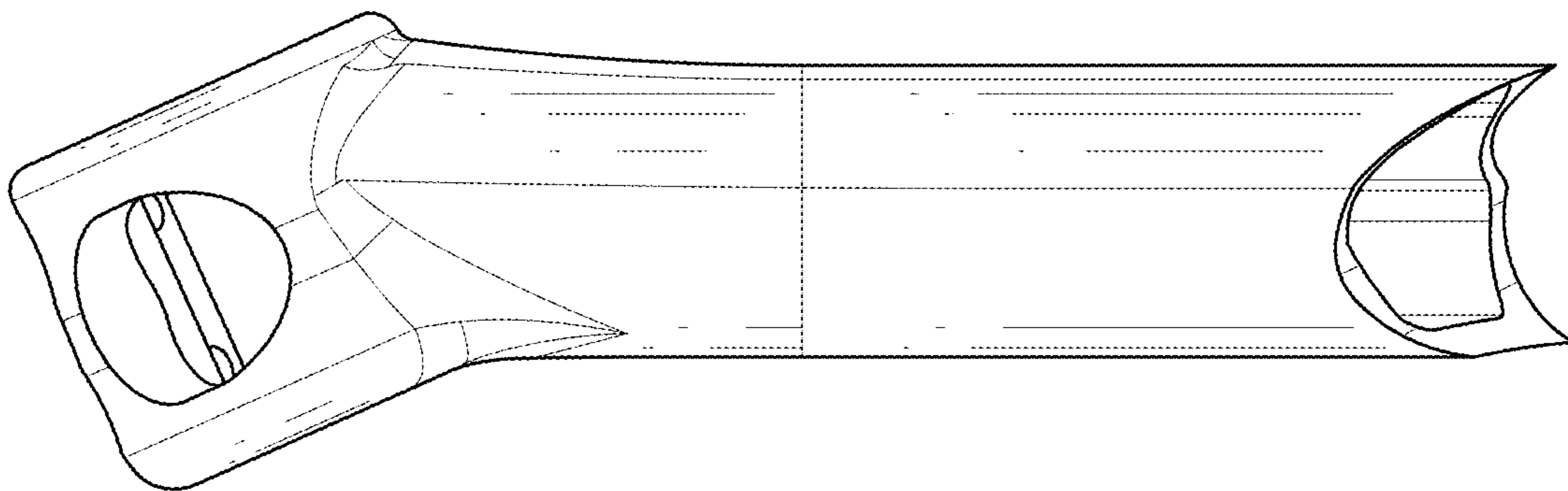


FIG. 4

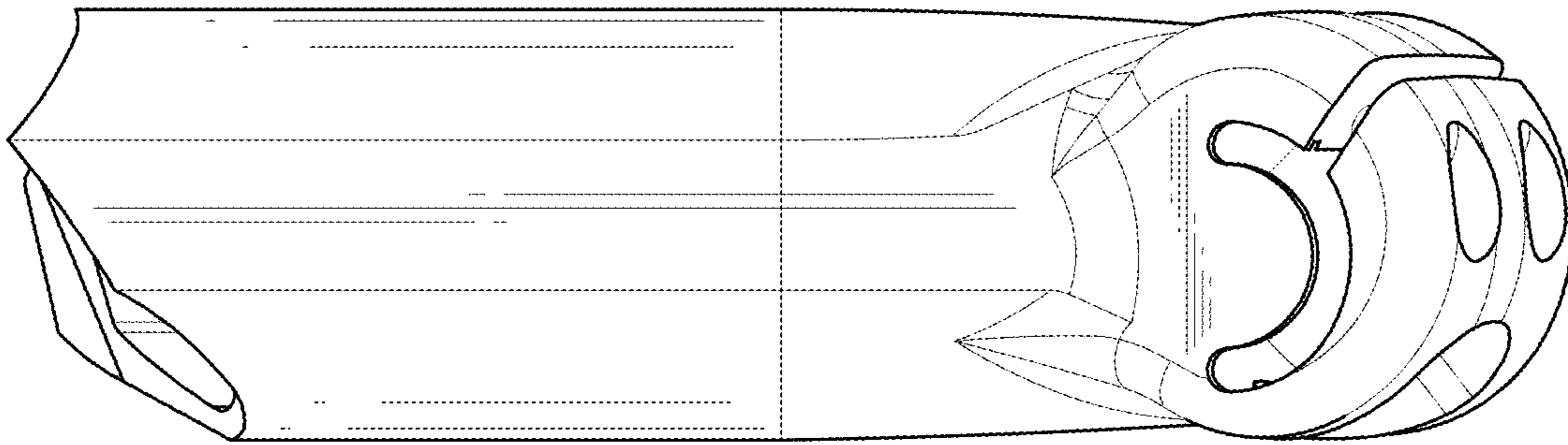


FIG. 5

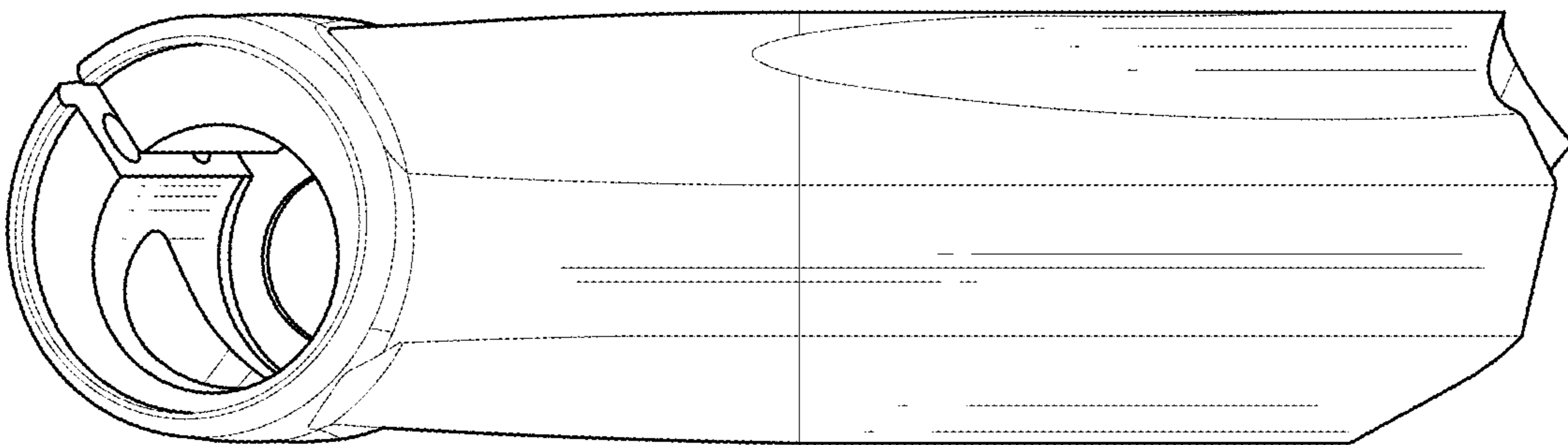


FIG. 6

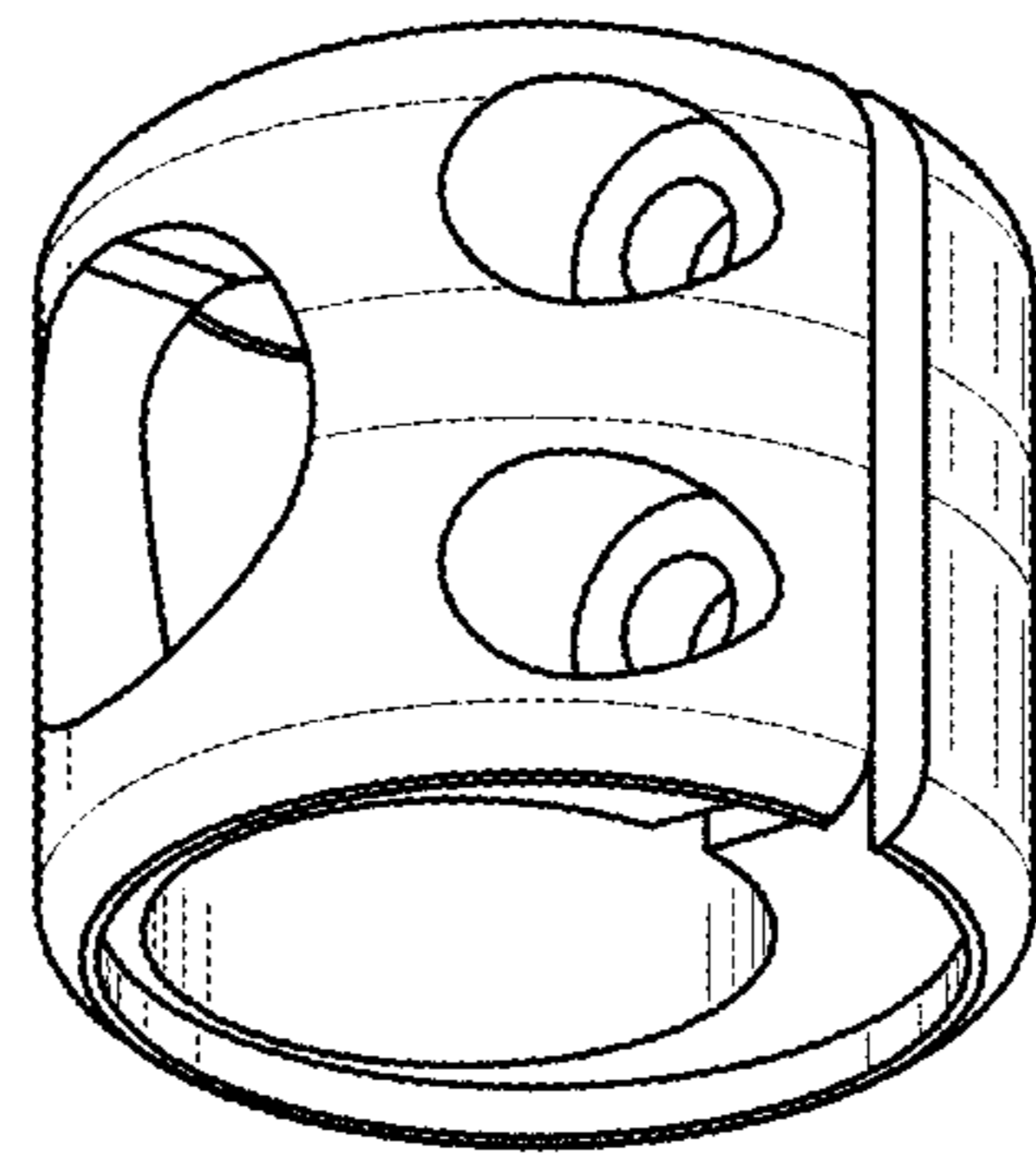


FIG. 7

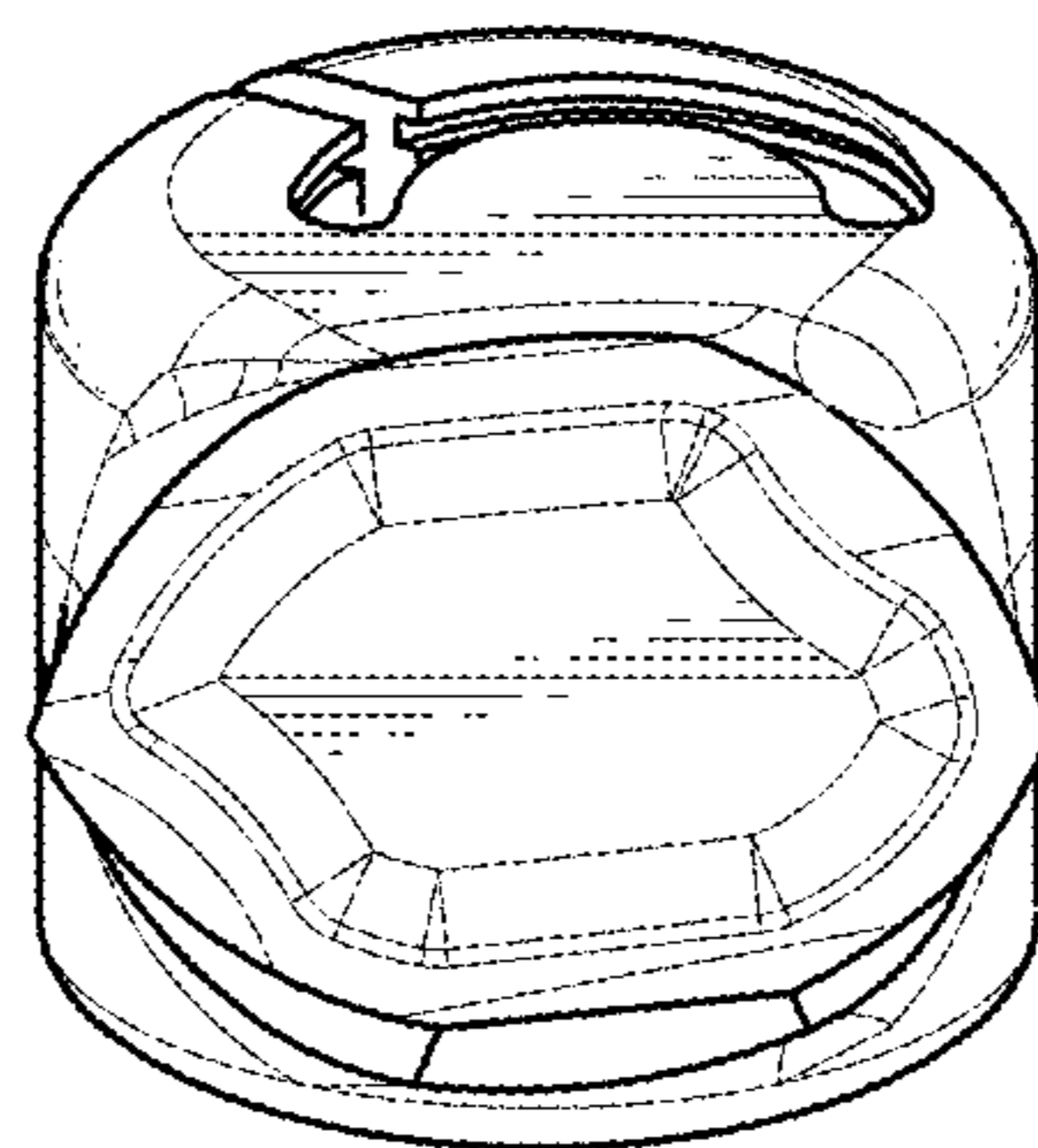


FIG. 8