



US00D903538S

(12) **United States Design Patent** (10) **Patent No.:** **US D903,538 S**
Lin (45) **Date of Patent:** **** Dec. 1, 2020**

(54) **WHEELED WALKER**

(71) Applicant: **CHARMING WORLD INC.**, Taipei (TW)

(72) Inventor: **Ching-Hsueh Lin**, Taipei (TW)

(73) Assignee: **CHARMING WORLD INC.**, Taipei (TW)

(**) Term: **15 Years**

(21) Appl. No.: **29/672,871**

(22) Filed: **Dec. 10, 2018**

(51) **LOC (12) Cl.** **12-12**

(52) **U.S. Cl.**
USPC **D12/130**

(58) **Field of Classification Search**
USPC D12/128–133
CPC A61H 3/00; A61H 3/04; A61H
2003/001–007; A61H 2003/043; A61H
2003/046

See application file for complete search history.

(56) **References Cited**

U.S. PATENT DOCUMENTS

| | | | |
|----------------|---------|-----------|-------------|
| D739,314 S * | 9/2015 | Wang | D12/130 |
| 9,226,868 B2 * | 1/2016 | Andersen | A61H 3/04 |
| D754,034 S * | 4/2016 | Wang | D12/130 |
| D754,568 S * | 4/2016 | Wang | D12/130 |
| 9,381,132 B2 * | 7/2016 | Chen | A61H 3/04 |
| 9,687,411 B2 * | 6/2017 | Chen | A61H 3/04 |
| 9,763,849 B2 * | 9/2017 | Paterson | A61H 3/04 |
| 9,839,571 B2 * | 12/2017 | Pan | A61H 3/04 |
| D807,793 S * | 1/2018 | Paterson | D12/130 |
| 9,877,889 B2 * | 1/2018 | Chen | A61H 3/00 |
| 9,907,723 B2 * | 3/2018 | Bisceglia | A61H 3/04 |
| 9,968,509 B2 * | 5/2018 | Andersen | A61H 3/04 |
| 9,974,708 B1 * | 5/2018 | Janeczek | A61G 5/0816 |
| D819,503 S * | 6/2018 | Huang | D12/130 |
| D836,499 S * | 12/2018 | Delatorre | D12/130 |
| D837,697 S * | 1/2019 | Luo | D12/130 |

D845,841 S * 4/2019 No-Young D12/130
D865,575 S * 11/2019 Lin D12/130
D869,347 S * 12/2019 Huang D12/130
D874,351 S * 2/2020 Fellingham D12/130

(Continued)

Primary Examiner — Charles D Hanson

(74) *Attorney, Agent, or Firm* — Muncy, Geissler, Olds & Lowe, P.C.

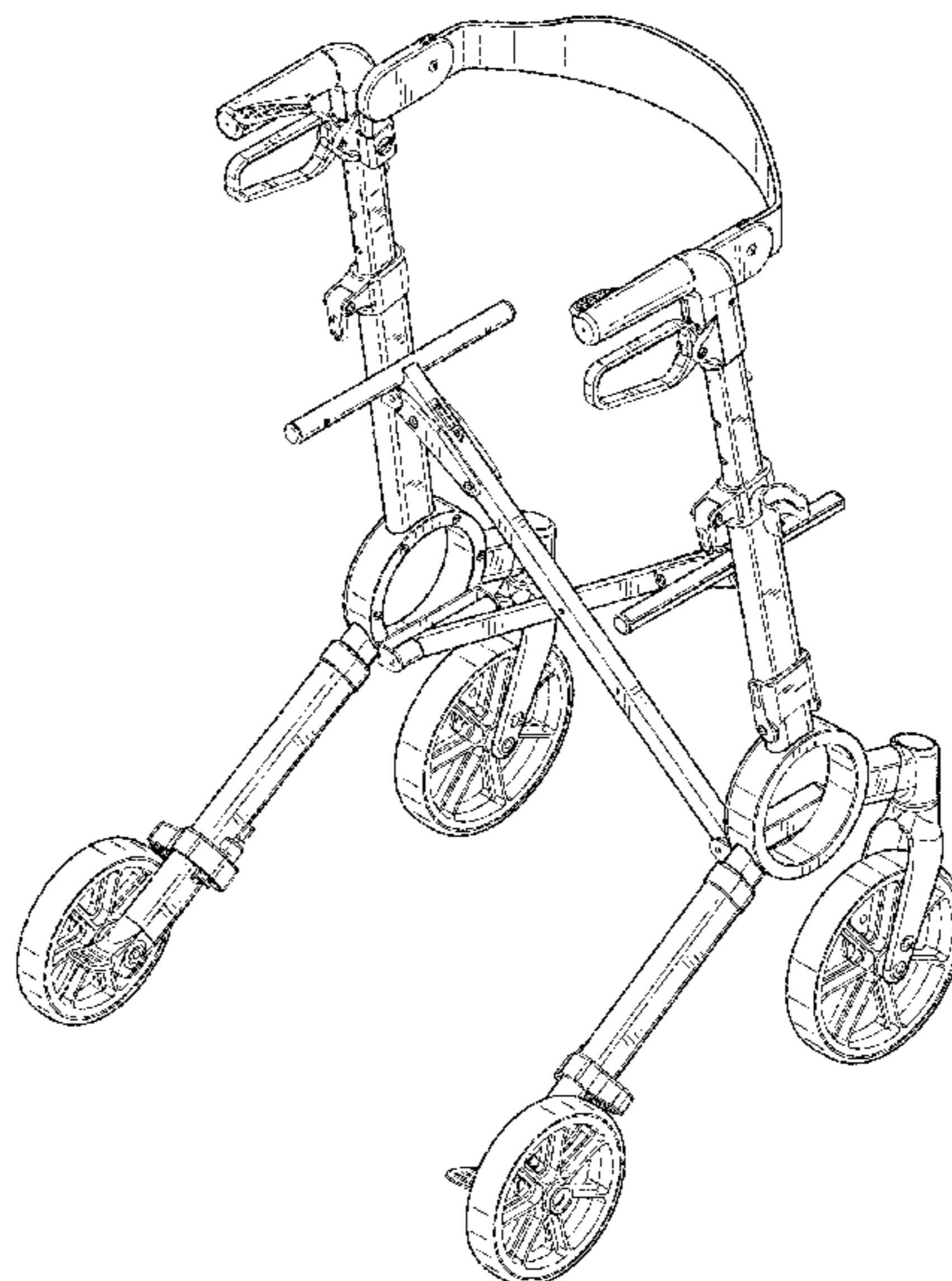
(57) **CLAIM**

The ornamental design for a wheeled walker, as shown and described.

DESCRIPTION

FIG. 1 is a perspective view of a first embodiment of a wheeled walker showing my new design; FIG. 2 is a front elevational view thereof; FIG. 3 is a rear elevational view thereof; FIG. 4 is a left side elevational view thereof; FIG. 5 is a right side elevational view thereof; FIG. 6 is a top plan view thereof; and FIG. 7 is a bottom plan view thereof. FIG. 8 is a perspective view of a second embodiment of the wheeled walker; FIG. 9 is a front elevational view thereof; FIG. 10 is a rear elevational view thereof; FIG. 11 is a left side elevational view thereof; FIG. 12 is a right side elevational view thereof; FIG. 13 is a top plan view thereof; FIG. 14 is a bottom plan view thereof; FIG. 15 is a perspective view of a third embodiment of the wheeled walker; FIG. 16 is a front elevational view thereof; FIG. 17 is a rear elevational view thereof; FIG. 18 is a left side elevational view thereof; FIG. 19 is a right side elevational view thereof; FIG. 20 is a top plan view thereof; and, FIG. 21 is a bottom plan view thereof.

1 Claim, 21 Drawing Sheets



(56)

References Cited

U.S. PATENT DOCUMENTS

| | | | | |
|--------------|------|---------|------------------|----------------------|
| 10,617,592 | B2 * | 4/2020 | Fellingham | A61H 3/04 |
| 2007/0170699 | A1 * | 7/2007 | Li | A61H 3/04 280/642 |
| 2014/0125037 | A1 * | 5/2014 | Andersen | A61H 3/04 280/639 |
| 2014/0333040 | A1 * | 11/2014 | Liu | A61H 3/04 280/42 |

* cited by examiner

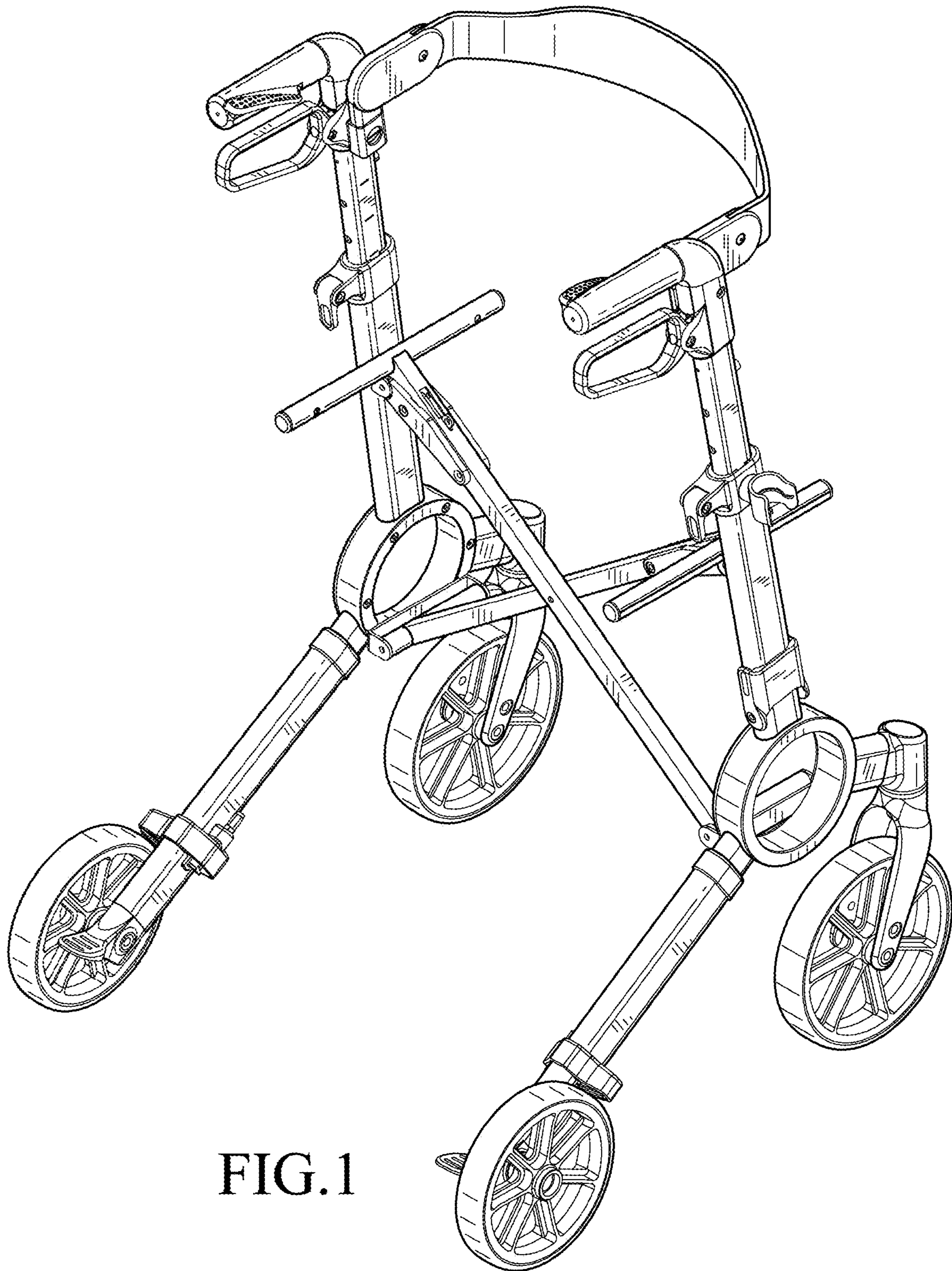


FIG. 1

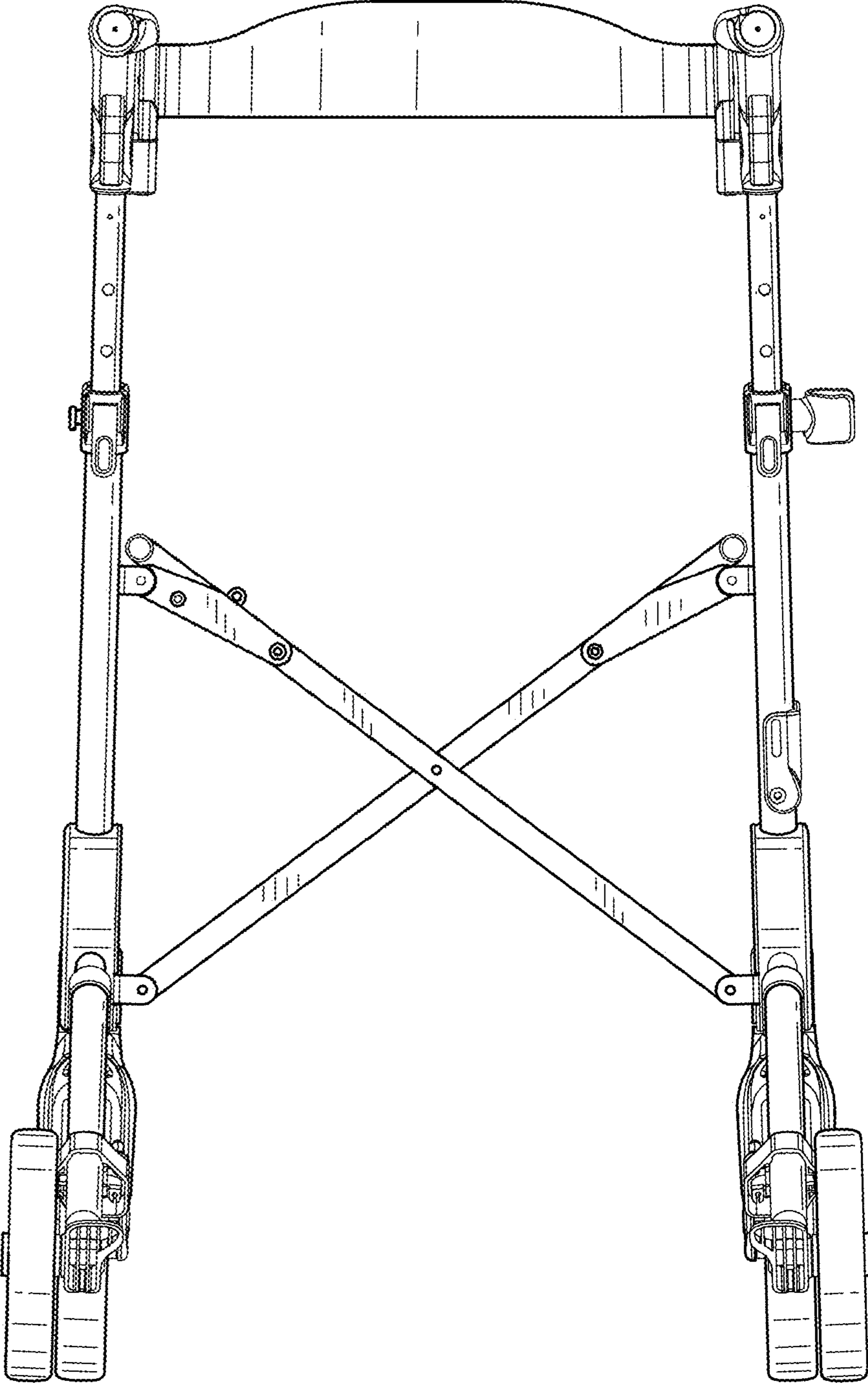


FIG.2

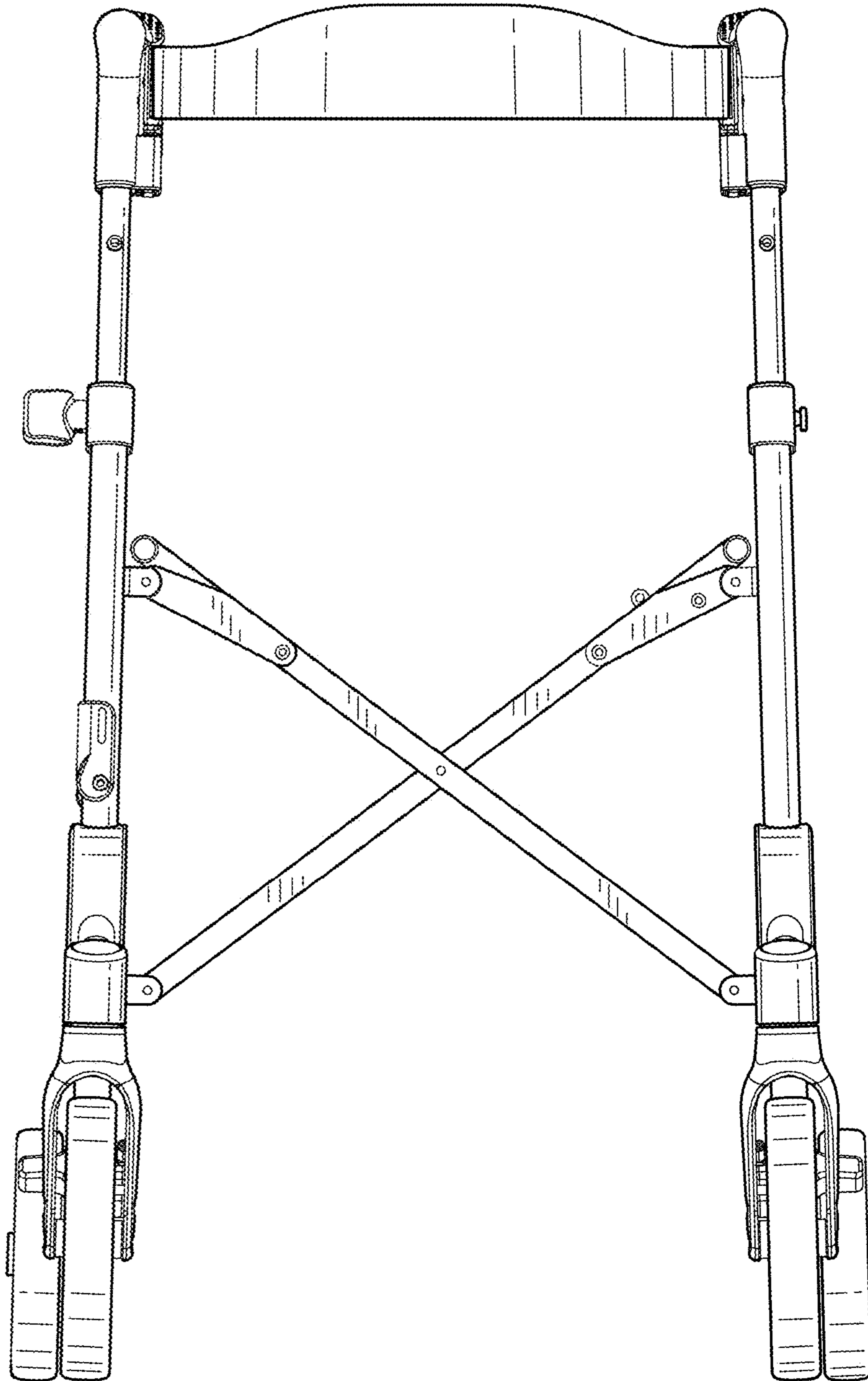


FIG.3

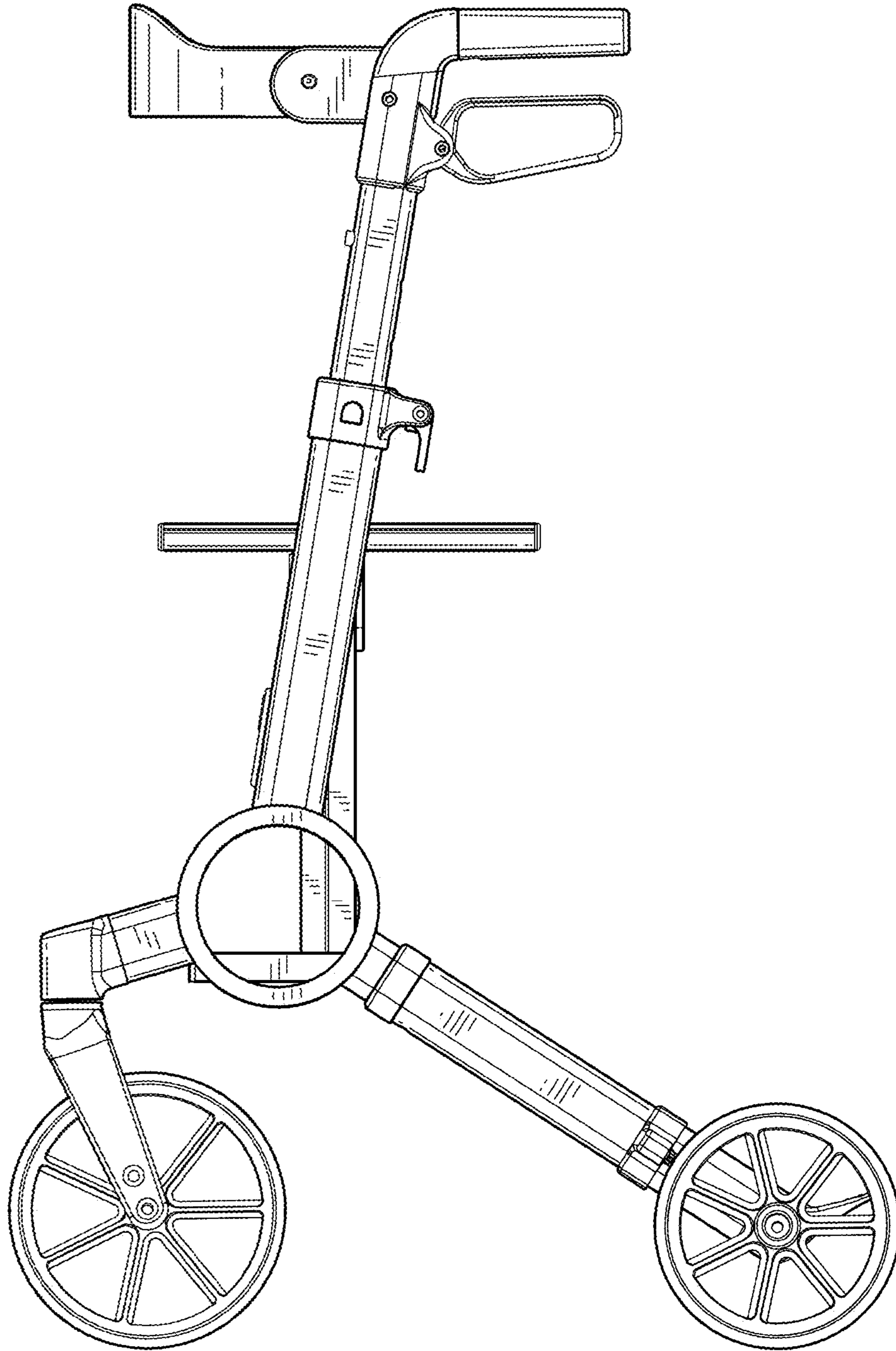


FIG.4

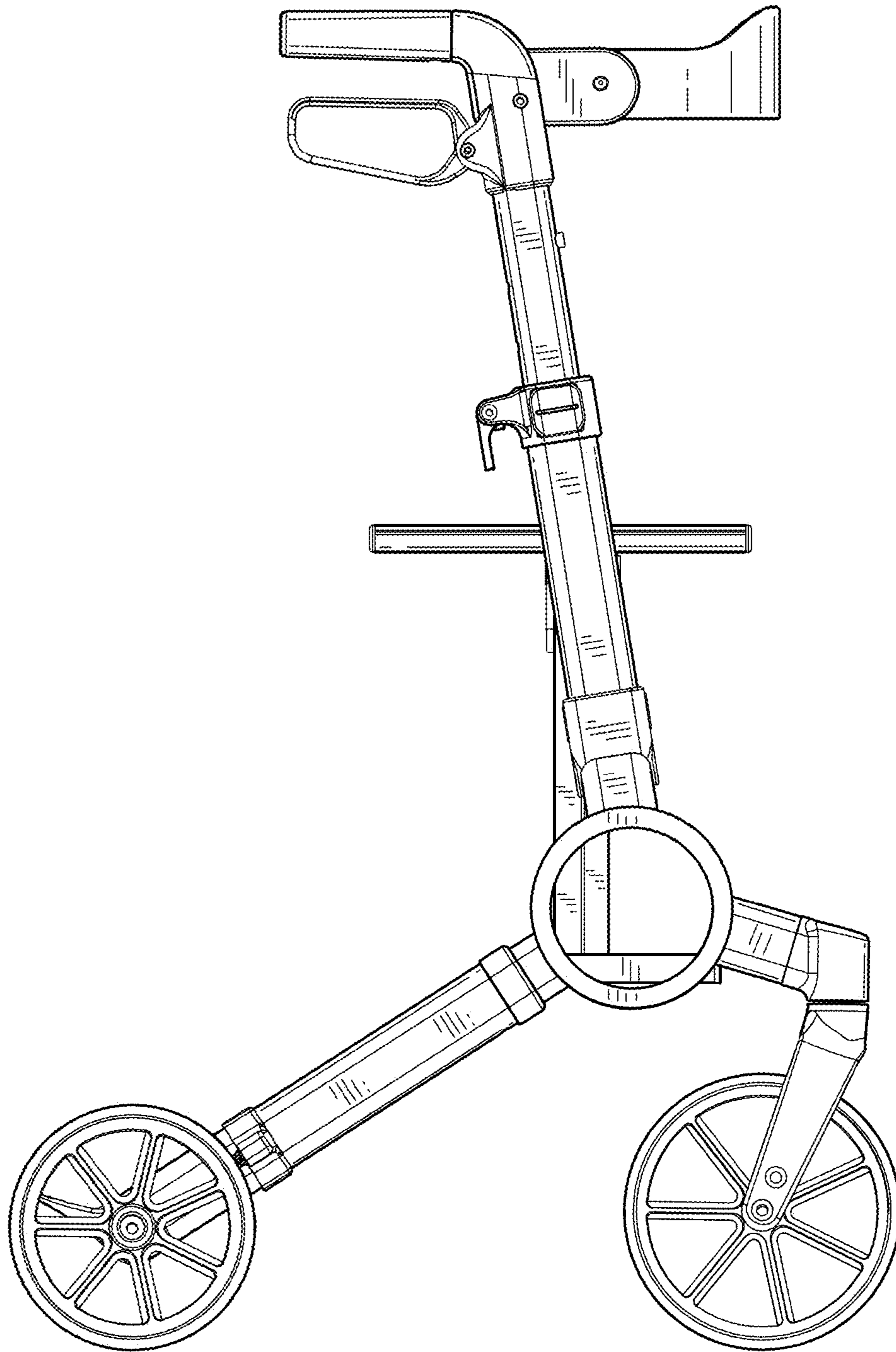


FIG.5

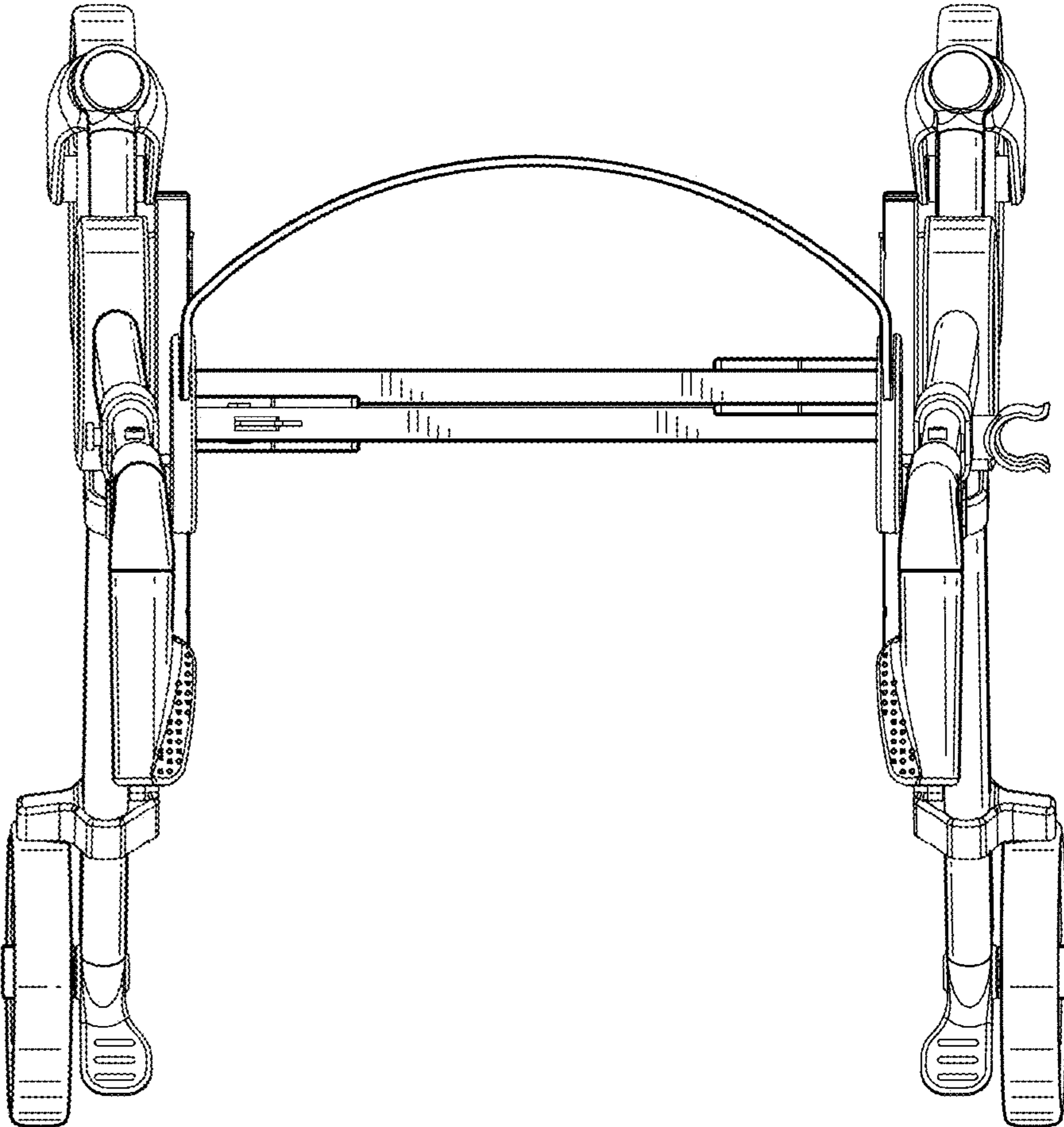


FIG.6

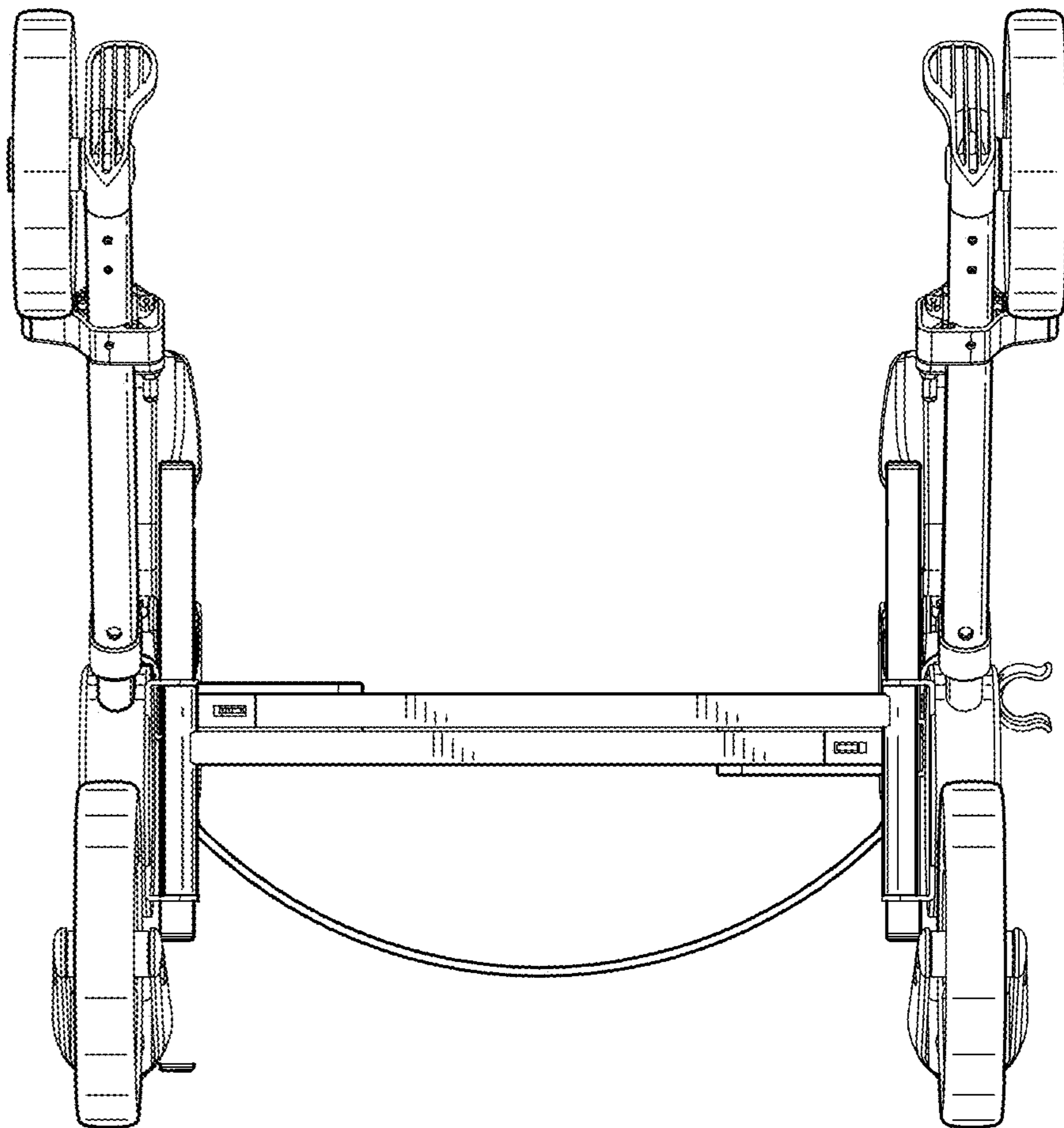


FIG. 7

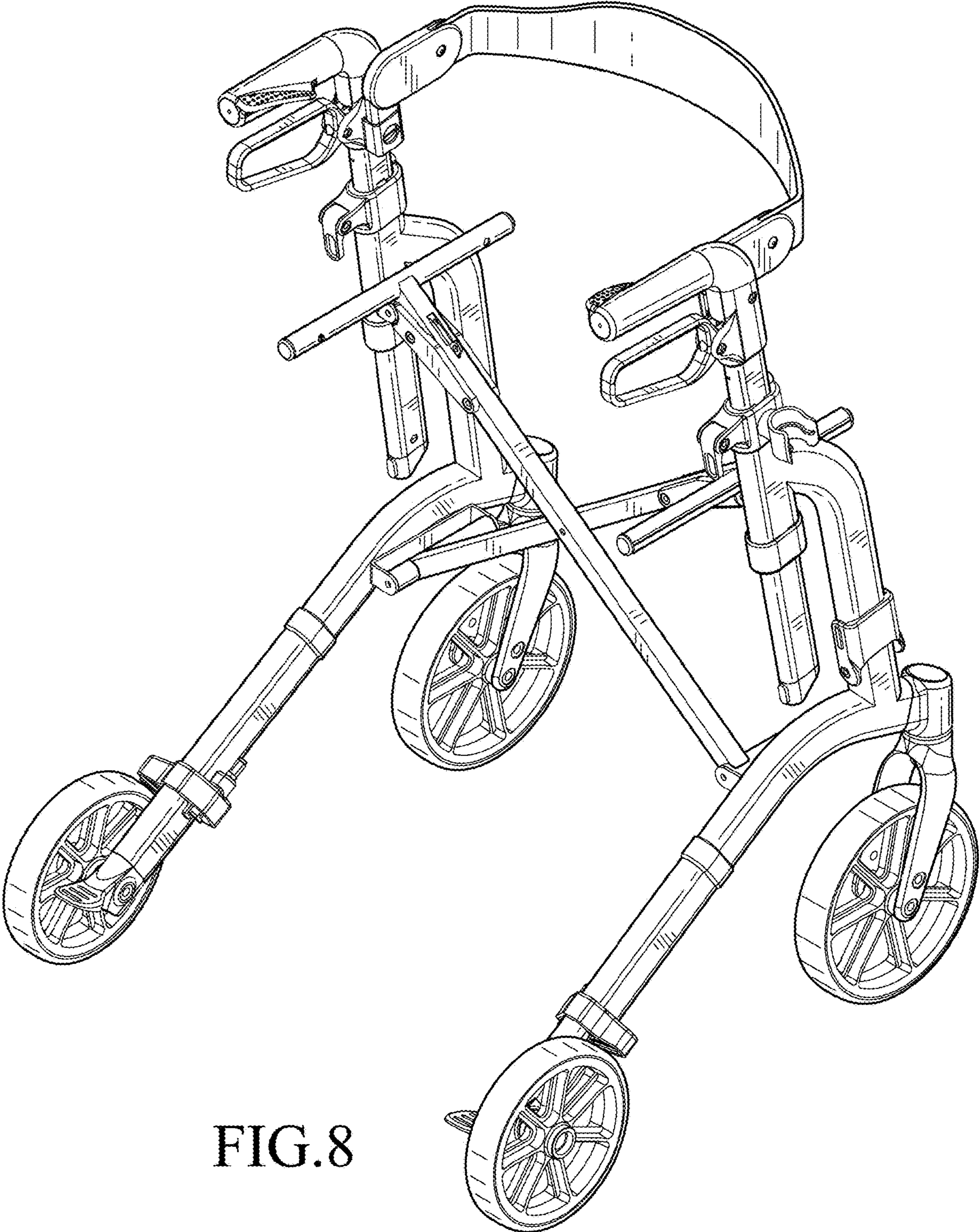


FIG. 8

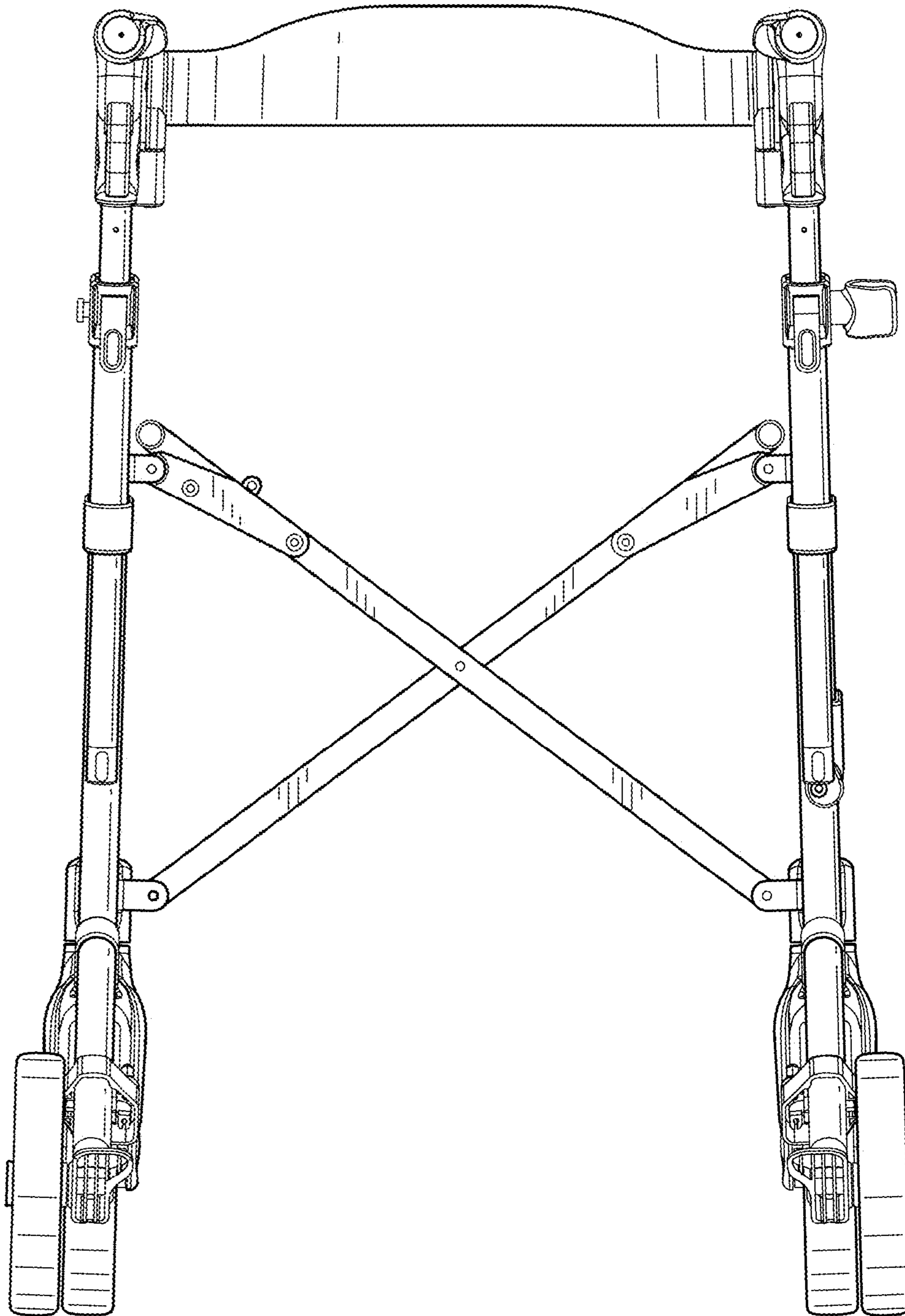


FIG.9

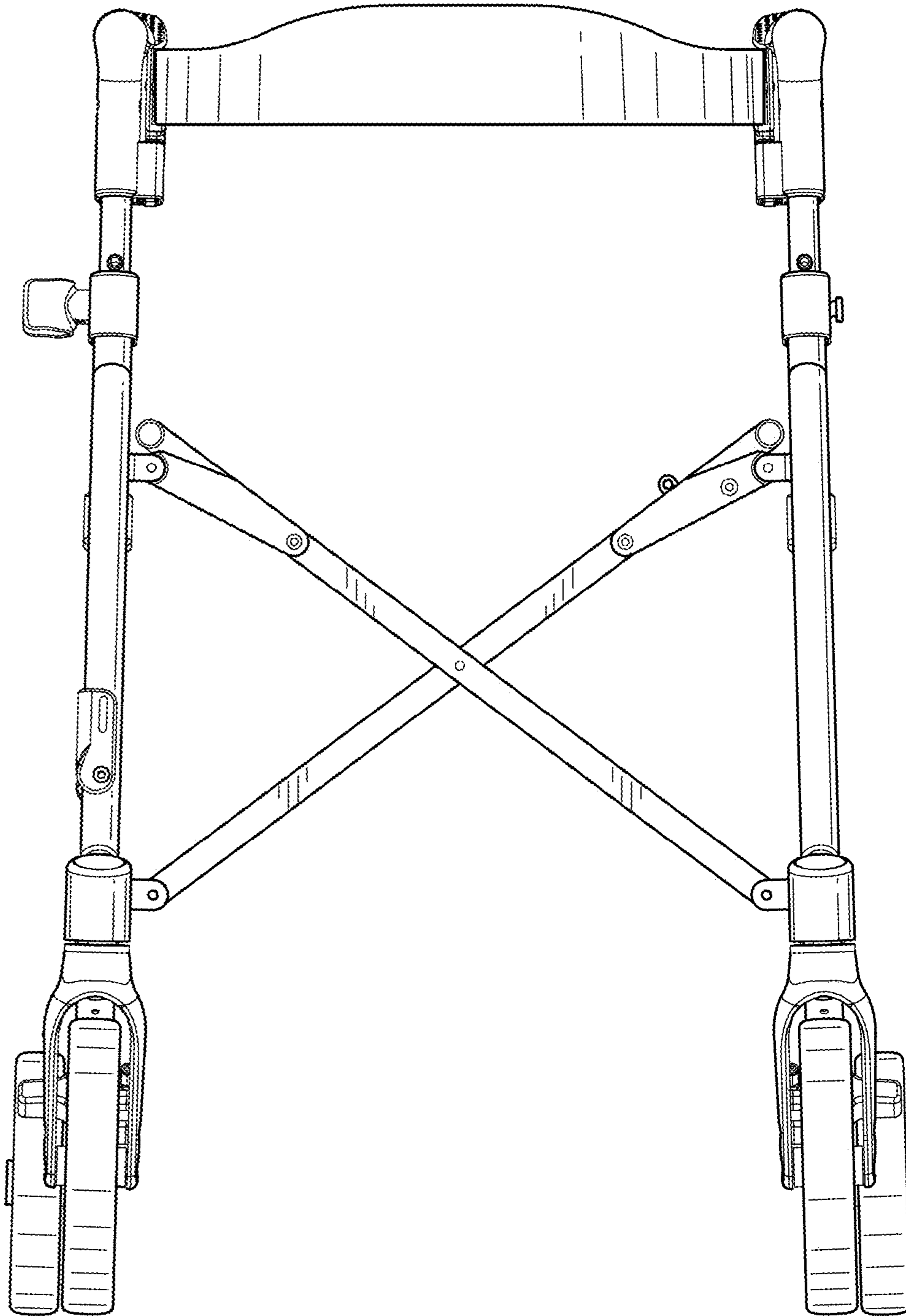


FIG. 10

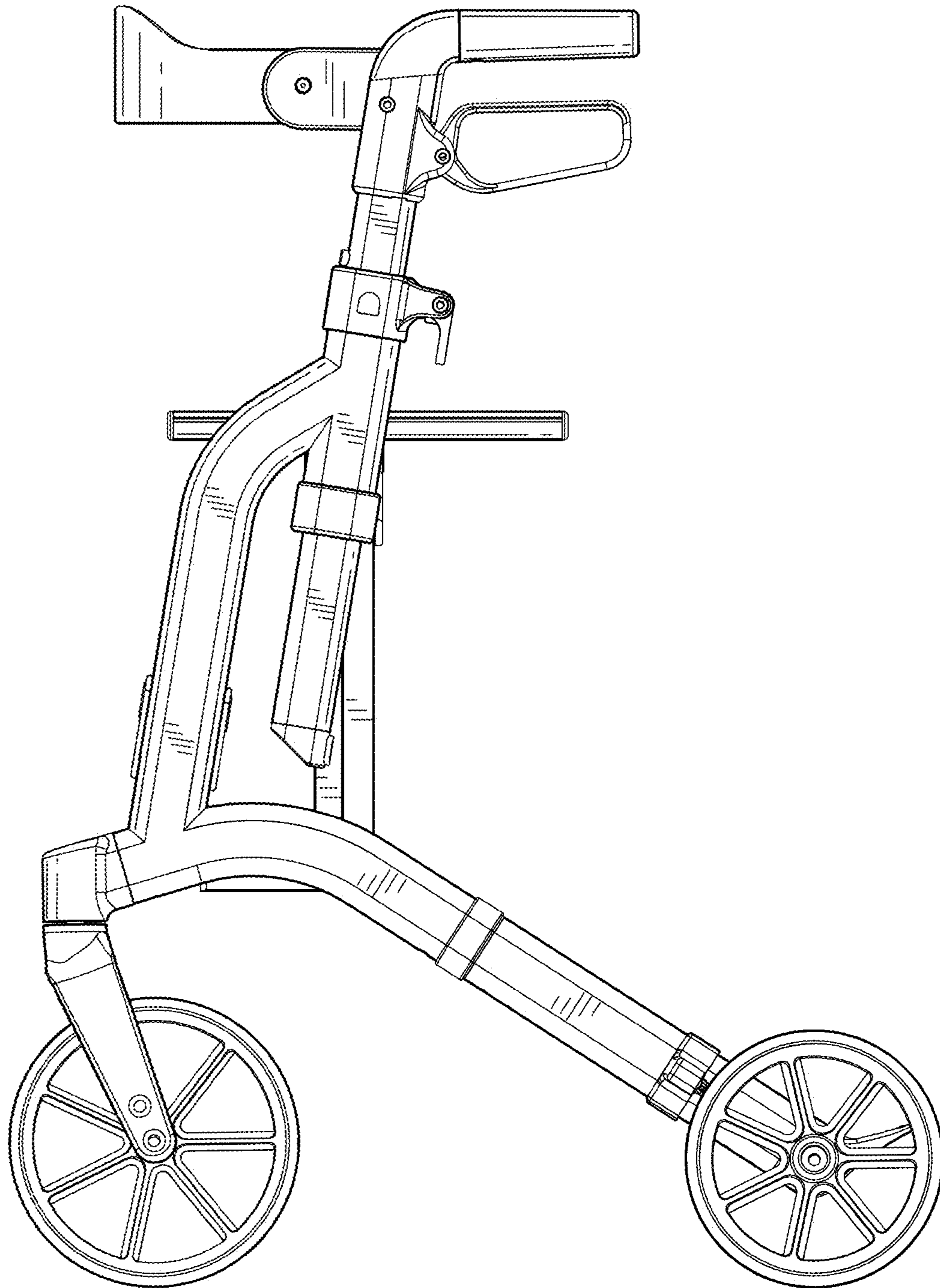


FIG. 11

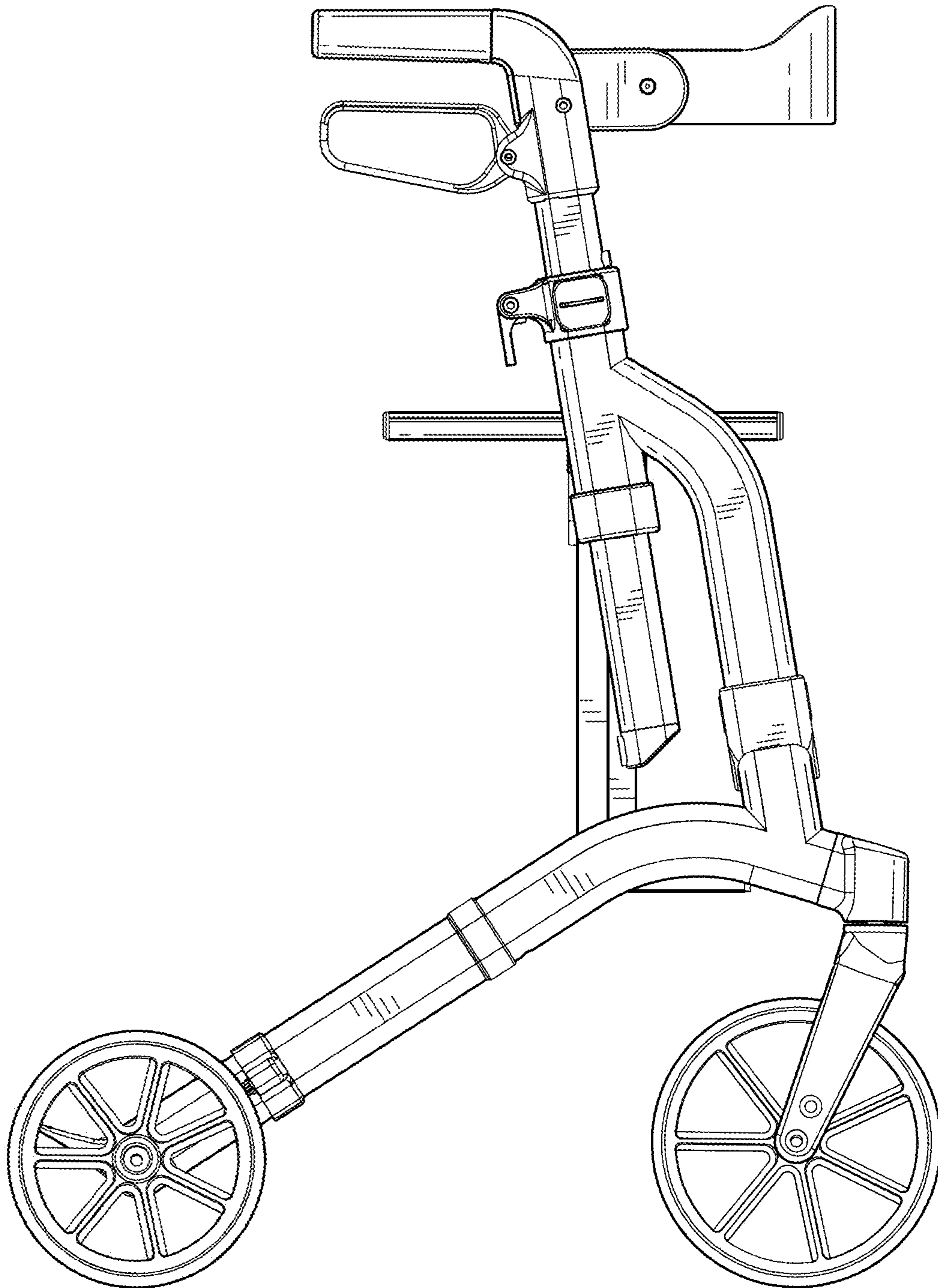


FIG.12

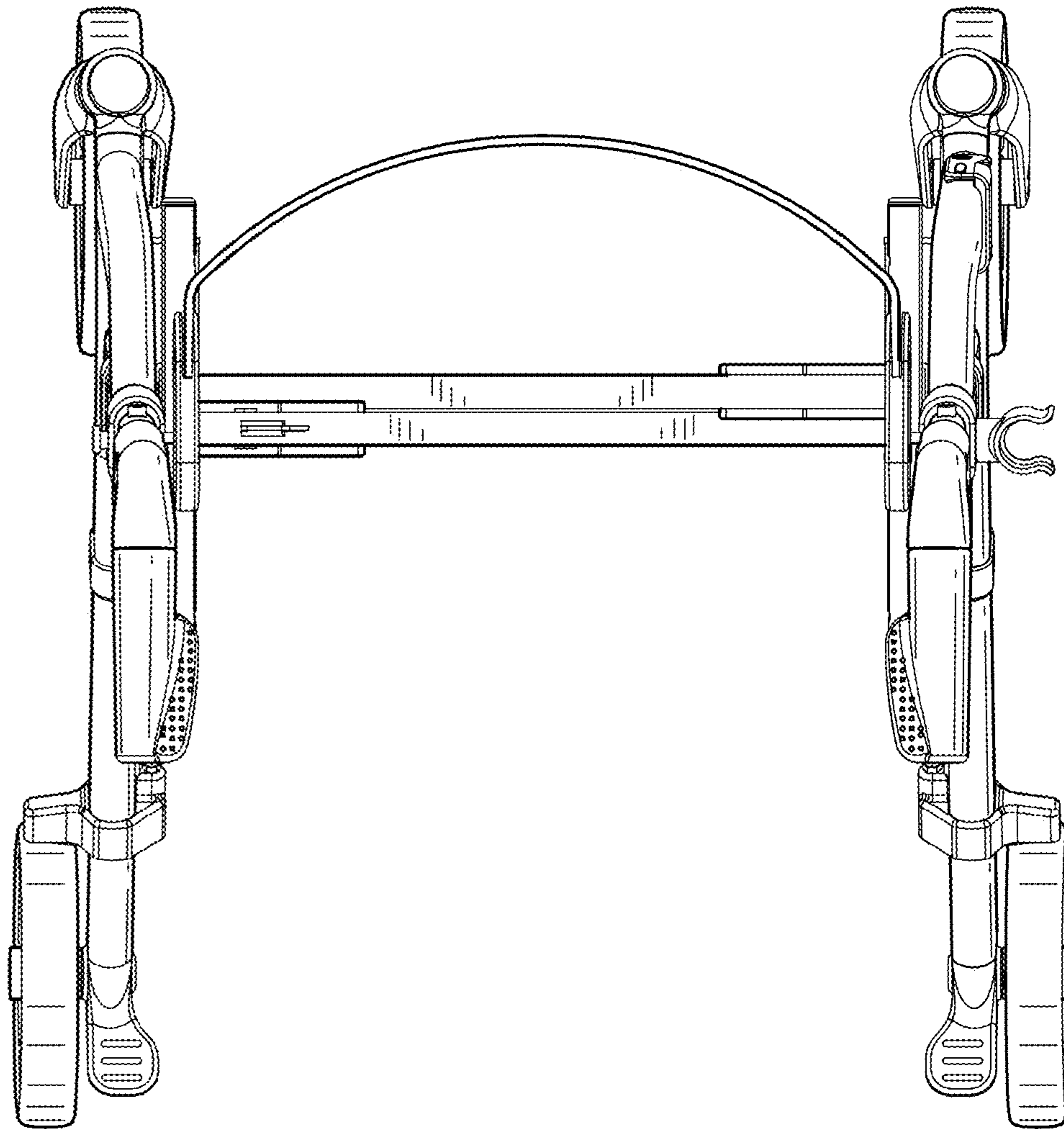


FIG.13

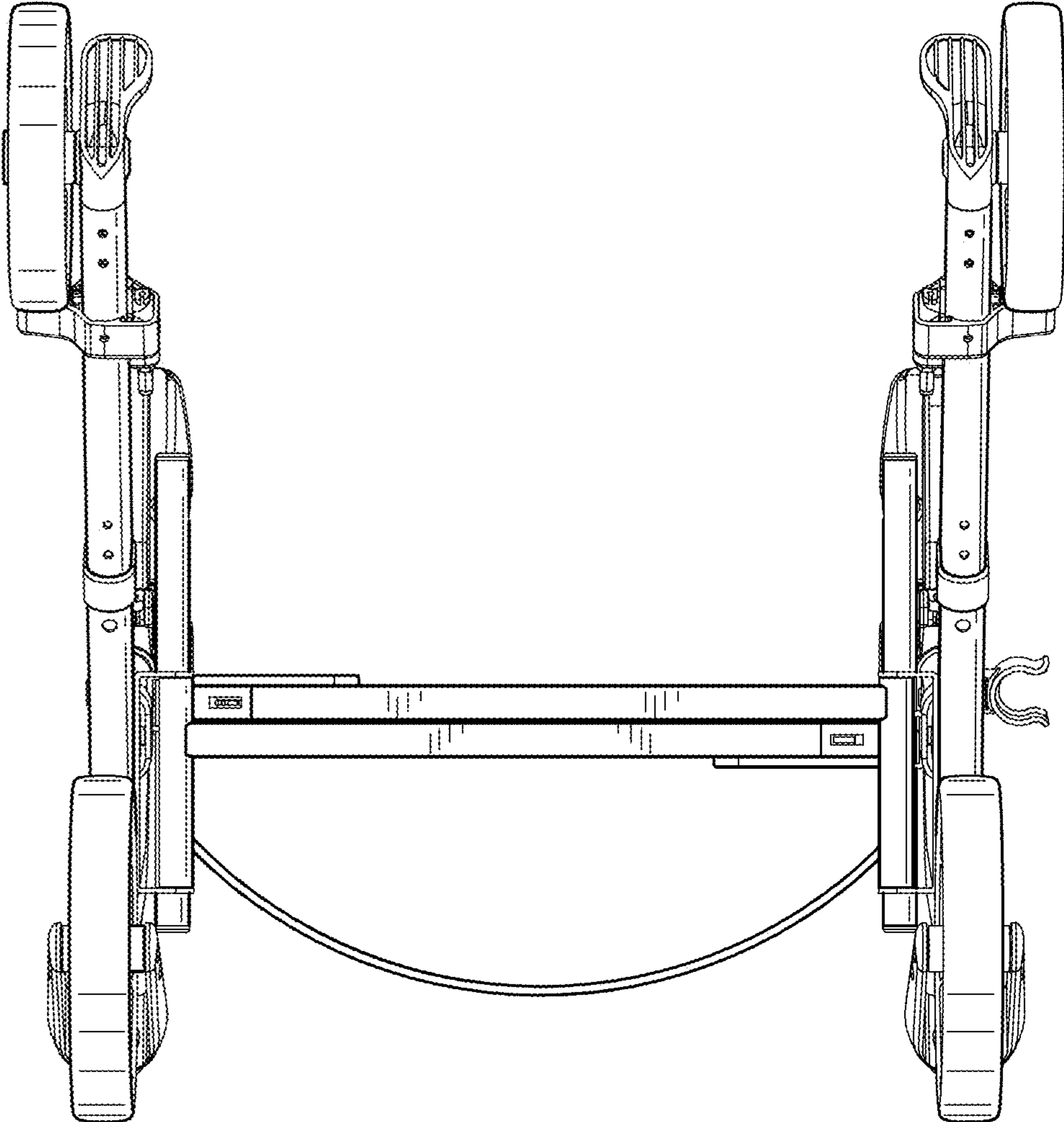


FIG.14

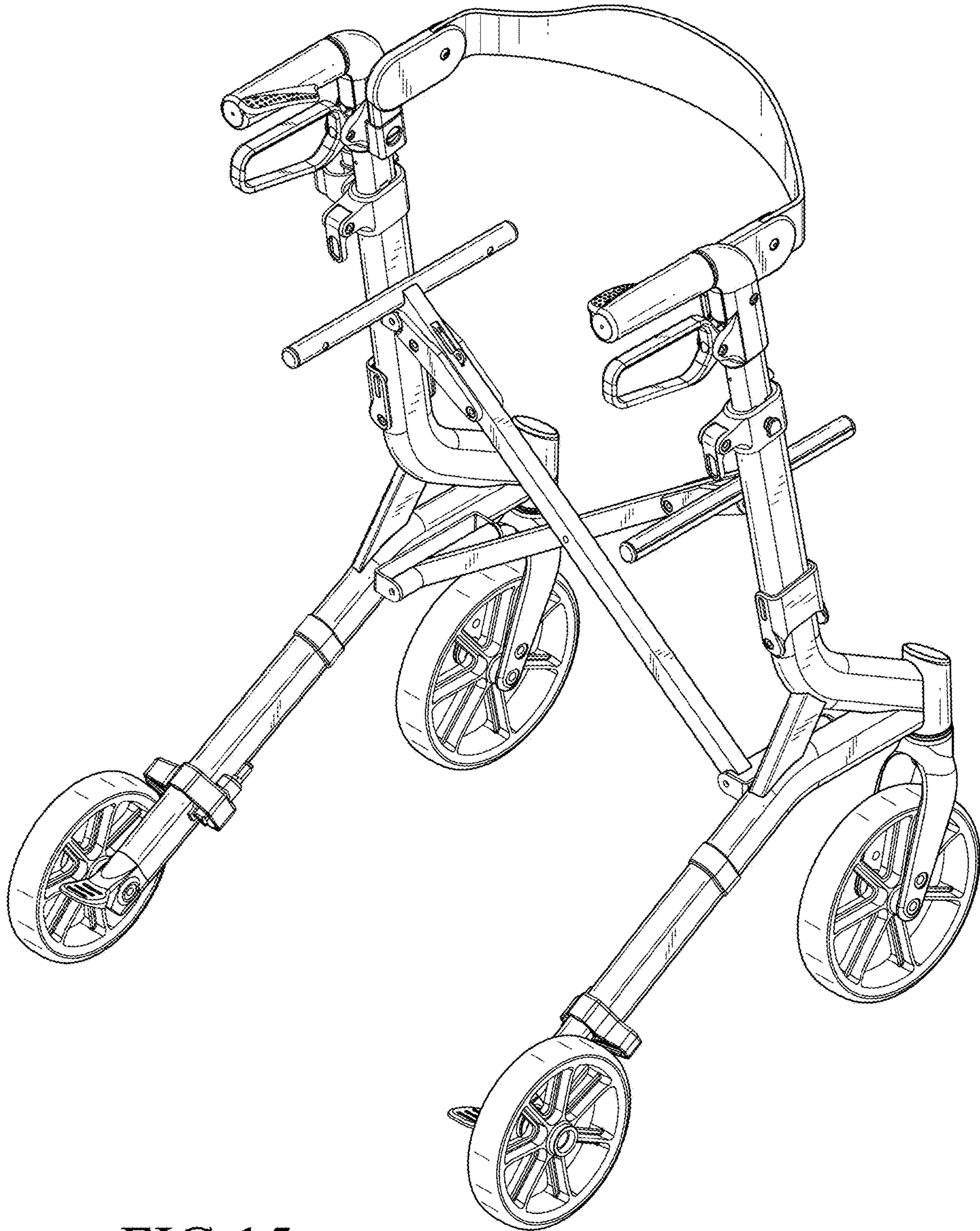


FIG.15

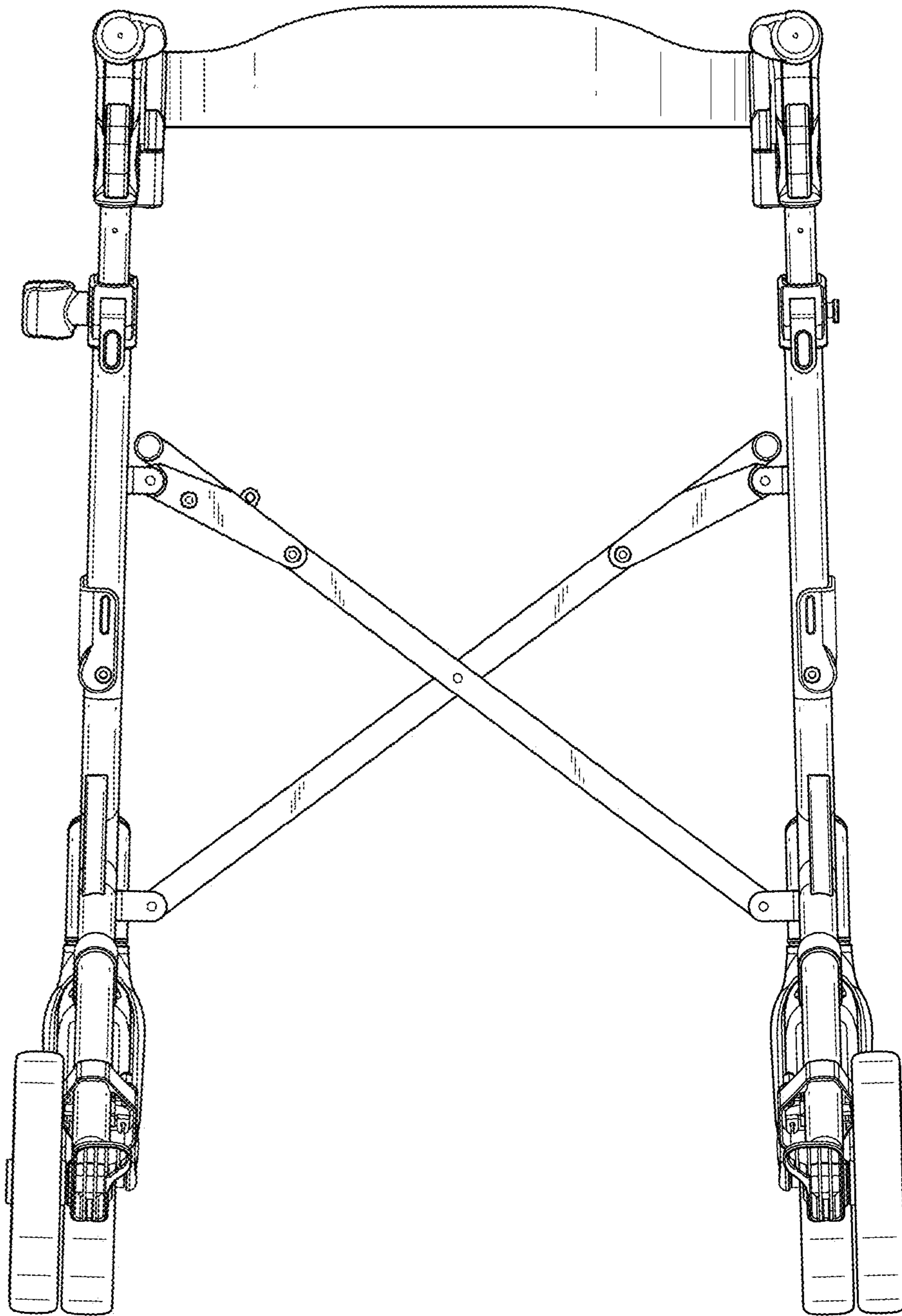


FIG.16

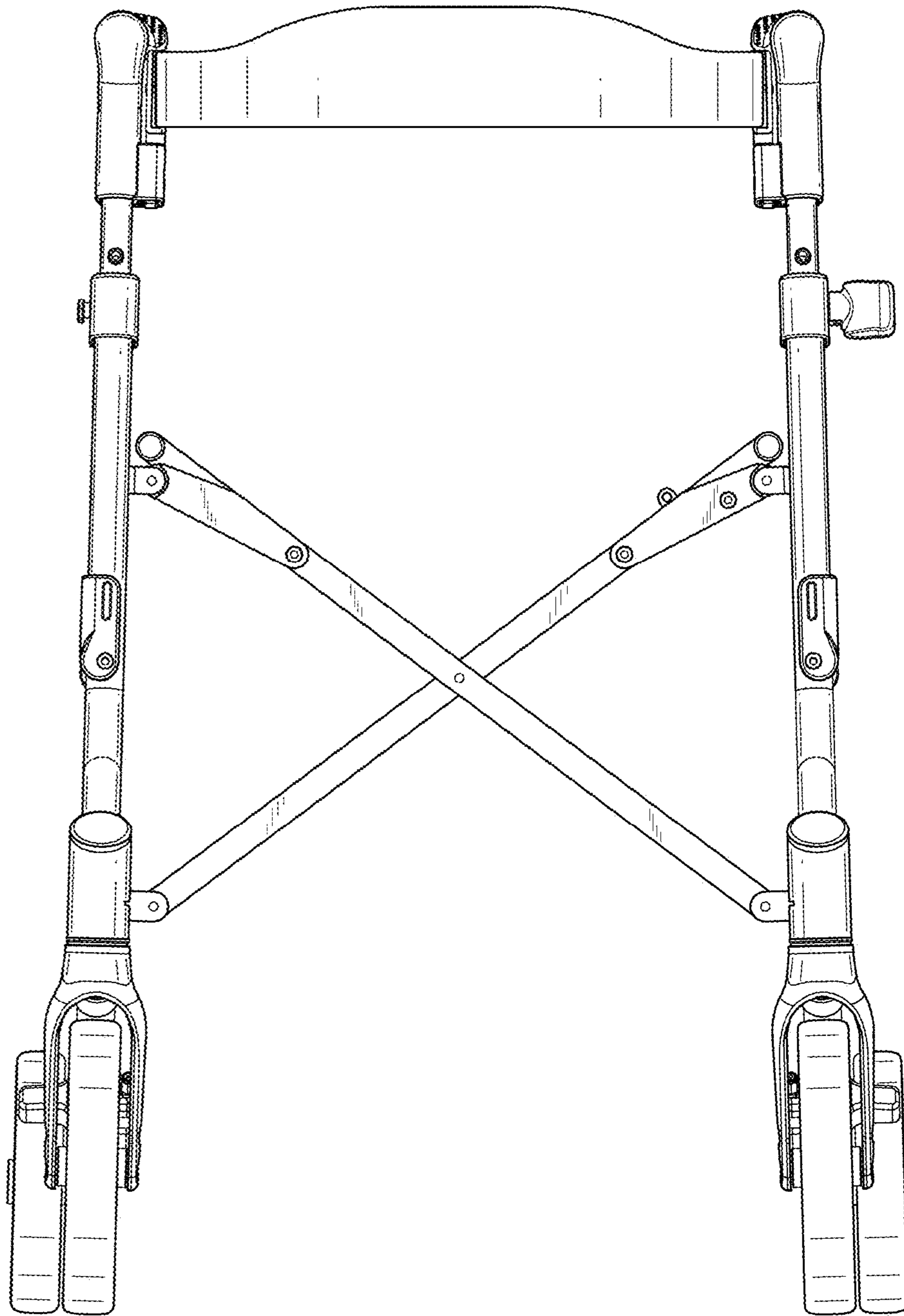


FIG.17

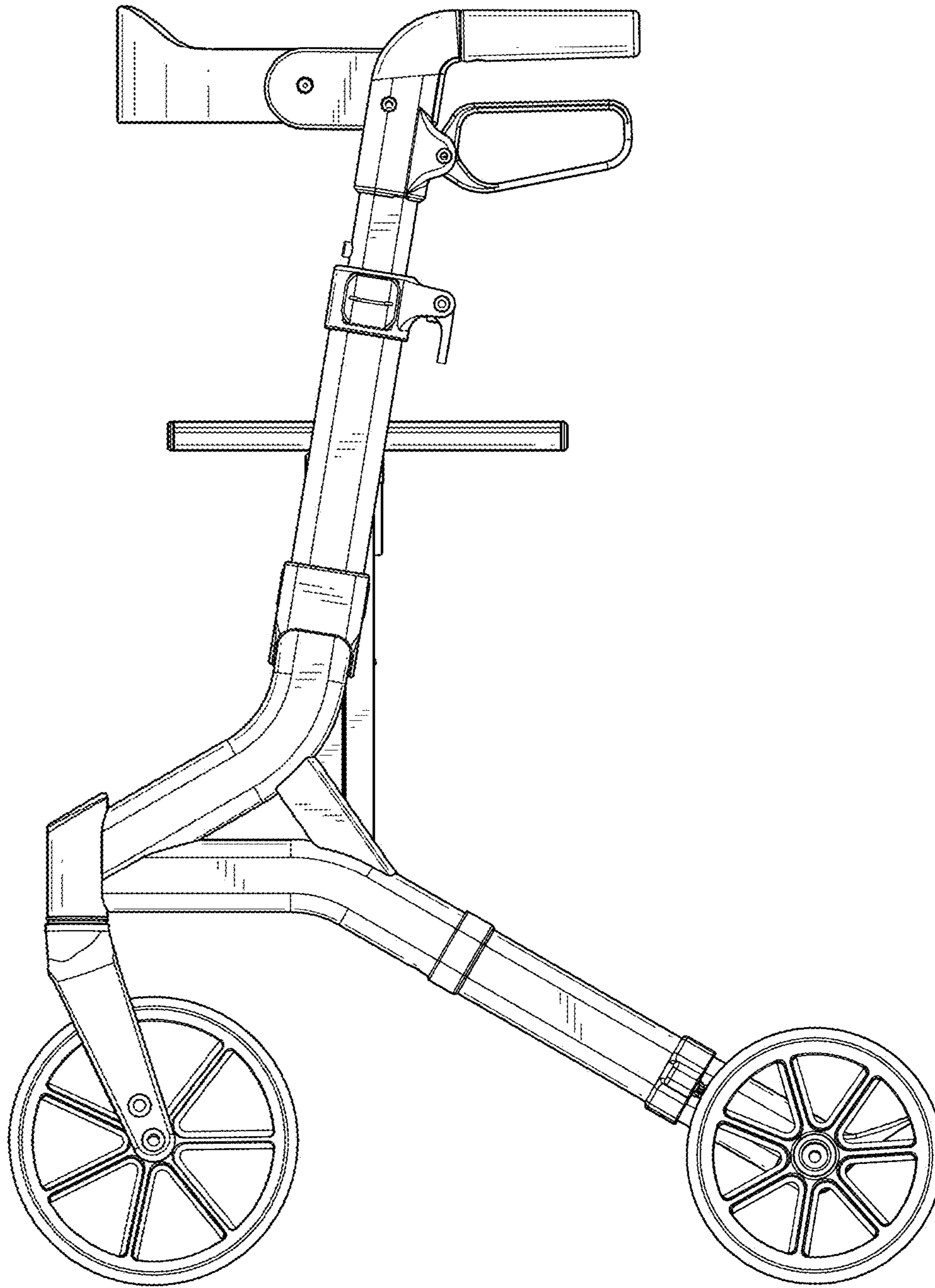


FIG.18

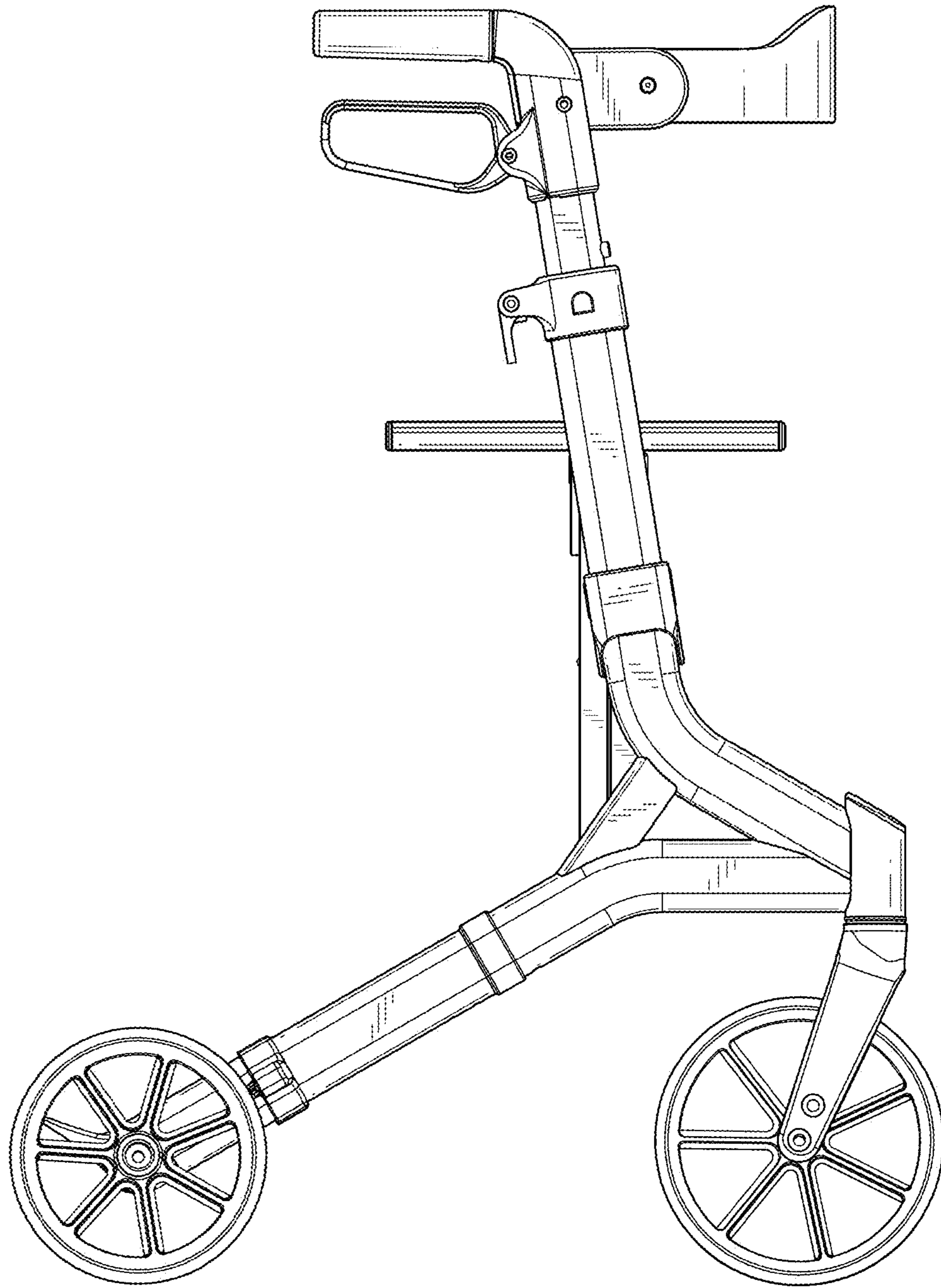


FIG.19

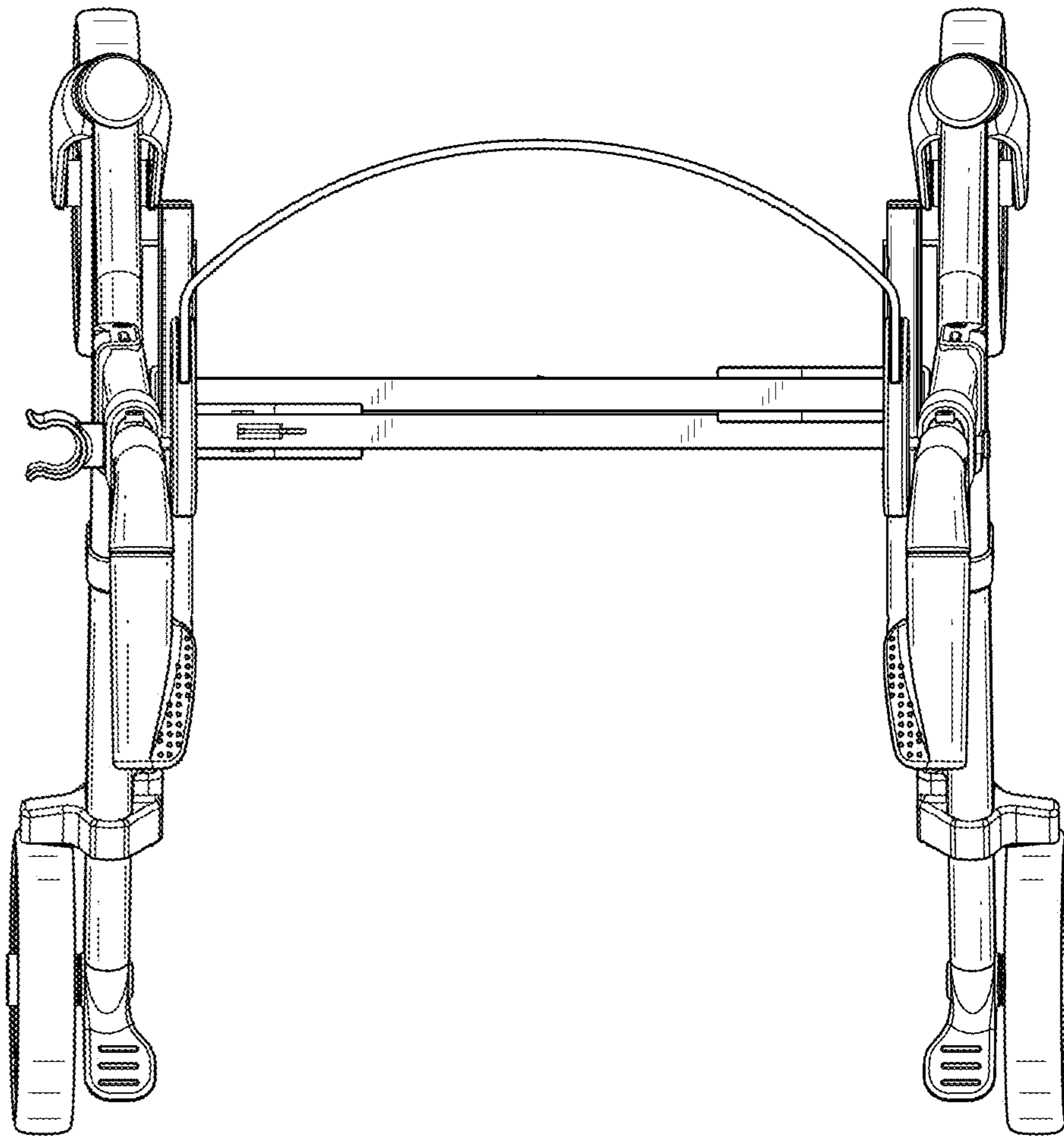


FIG.20

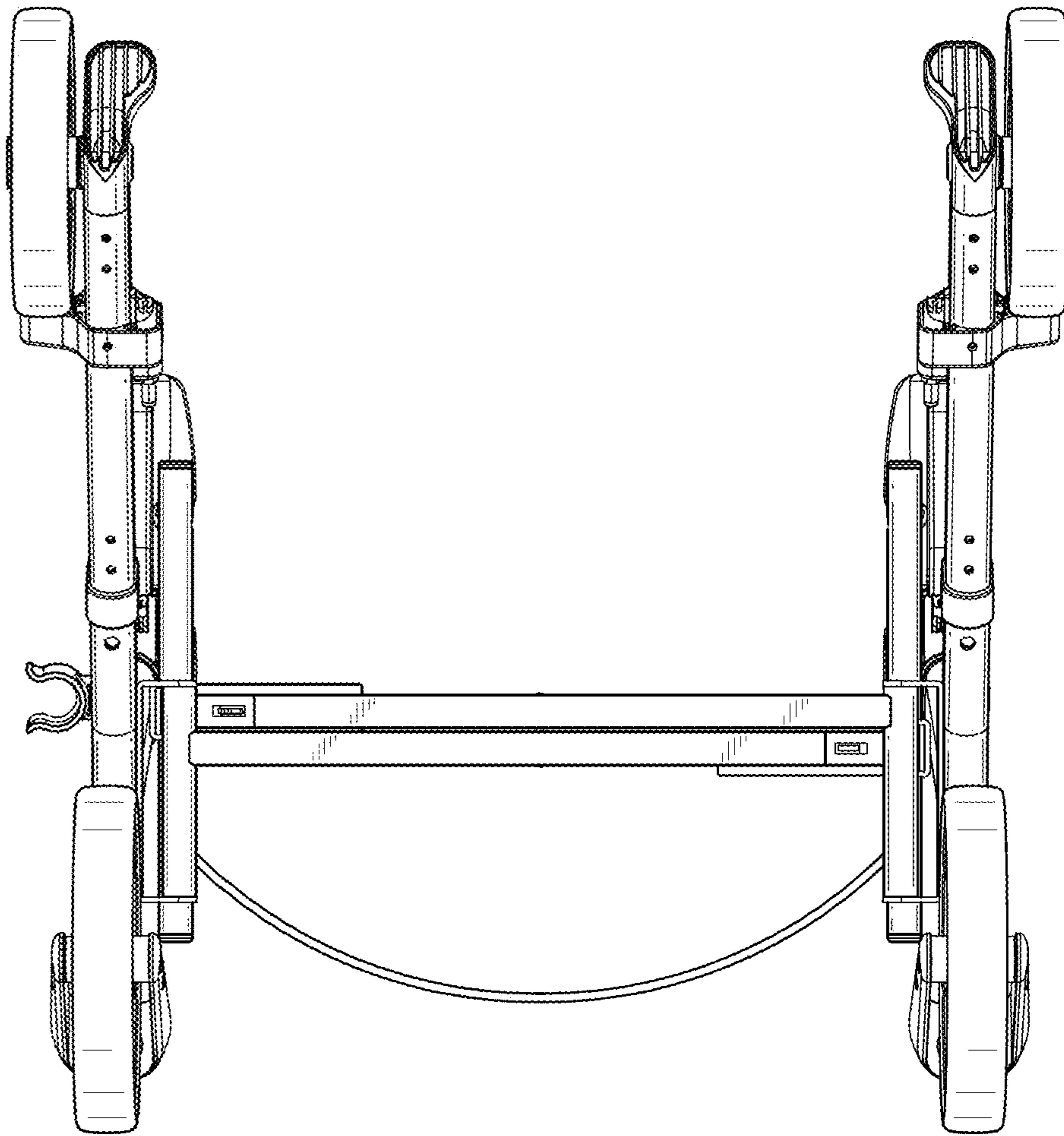


FIG.21