



US00D903535S

(12) **United States Design Patent**
Chiu

(10) **Patent No.:** **US D903,535 S**

(45) **Date of Patent:** **** Dec. 1, 2020**

(54) **TRICYCLE**

(71) Applicant: **Yen-Po Chiu**, Taipei (TW)

(72) Inventor: **Yen-Po Chiu**, Taipei (TW)

(**) Term: **15 Years**

(21) Appl. No.: **29/705,043**

(22) Filed: **Sep. 9, 2019**

(51) **LOC (12) Cl.** **12-11**

(52) **U.S. Cl.**
USPC **D12/112**; D12/113

(58) **Field of Classification Search**
USPC D12/112, 113; D21/432, 435, 538
CPC B62K 9/02; B62K 15/00; B62K 15/008;
B62K 21/00; B62J 17/08
See application file for complete search history.

(56) **References Cited**

U.S. PATENT DOCUMENTS

5,499,834	A *	3/1996	Pasin	B60B 37/00
					280/259
D402,596	S *	12/1998	Liu	D12/113
6,152,473	A *	11/2000	Shih	B62K 15/008
					280/278
D436,896	S *	1/2001	Chiappepta	D12/113
D470,081	S *	2/2003	Wu	D12/112
D470,082	S *	2/2003	Wu	D12/112
D470,083	S *	2/2003	Wu	D12/112
D488,103	S *	4/2004	Chaudeurge	D12/112
D496,609	S *	9/2004	Auberger	D12/112
D540,717	S *	4/2007	On	D12/112
D582,489	S *	12/2008	Badanjo	D21/435
D622,639	S *	8/2010	Brockmeyer	D12/113

D645,381	S *	9/2011	Bricker	D12/112
D680,175	S *	4/2013	Nielsen	D21/435
8,517,406	B2 *	8/2013	Diekman	B62K 9/02
					280/282
D777,609	S *	1/2017	Loc	D12/112
D782,942	S *	4/2017	Trifaro	D12/112
D787,378	S *	5/2017	Ostergaard	D12/112
D827,501	S *	9/2018	Baker	D12/112
2014/0265233	A1 *	9/2014	Jessie, Jr.	B62K 13/04
					280/287

OTHER PUBLICATIONS

The Editors. "The Best Tricycles for Kids on Amazon, According to Hyperenthusiastic Reviewers." *The Strategist*, Apr. 30, 2019 [online], [retrieved on Oct. 1, 2020]. Retrieved from the Internet <URL: <https://nymag.com/strategist/article/best-tricycles-for-kids.html>>.*

* cited by examiner

Primary Examiner — Darlington Ly
(74) *Attorney, Agent, or Firm* — Pro-Techt International Services; Ian Oglesby

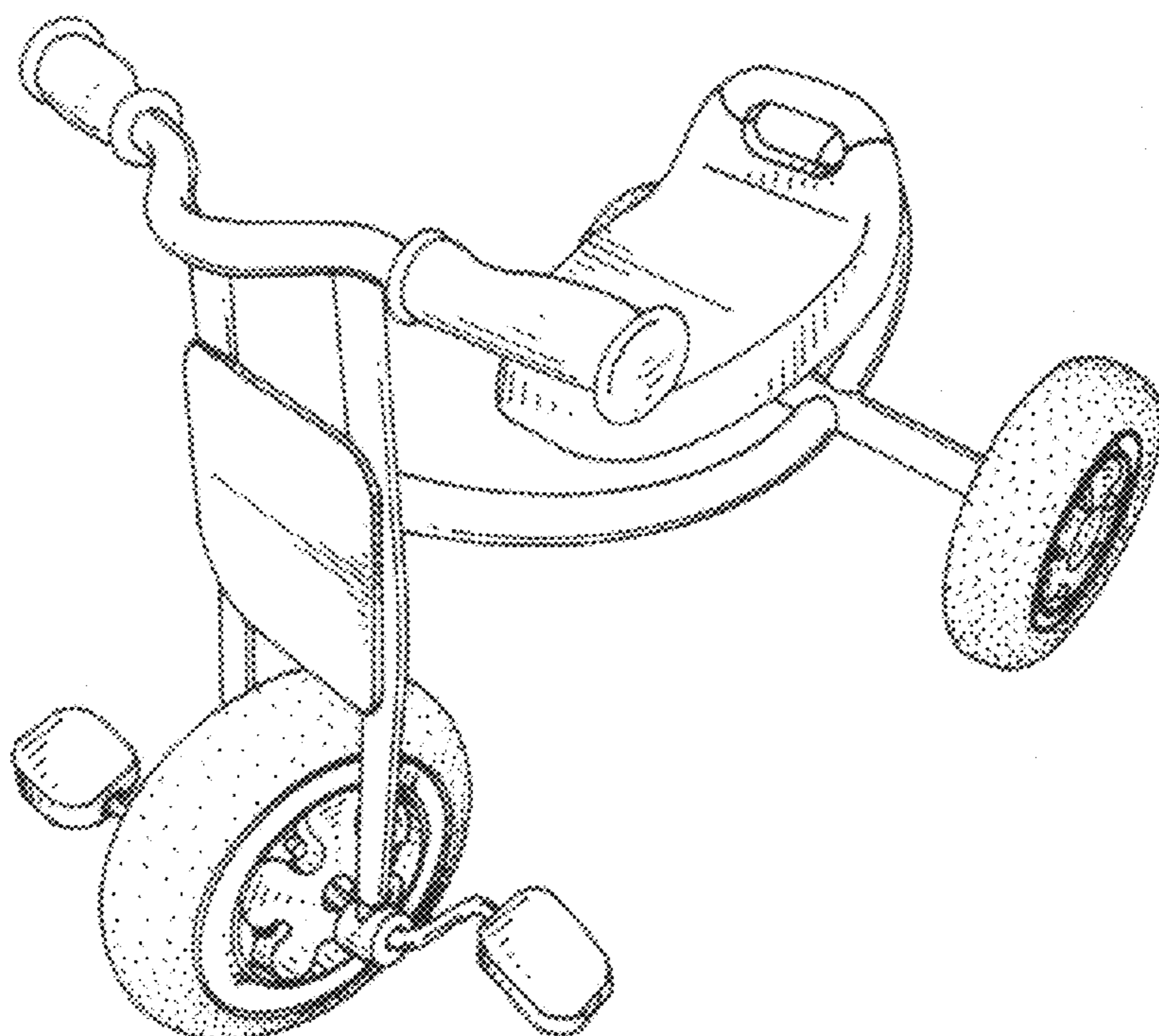
(57) **CLAIM**

The ornamental design for a tricycle, as shown and described.

DESCRIPTION

FIG. 1 is a perspective view of a tricycle showing my design; FIG. 2 is a front elevational view thereof; FIG. 3 is a rear elevational view thereof; FIG. 4 is a left side elevational view thereof; FIG. 5 is a right side elevational view thereof; FIG. 6 is a top plan view thereof; and, FIG. 7 is a bottom plan view thereof.

1 Claim, 4 Drawing Sheets



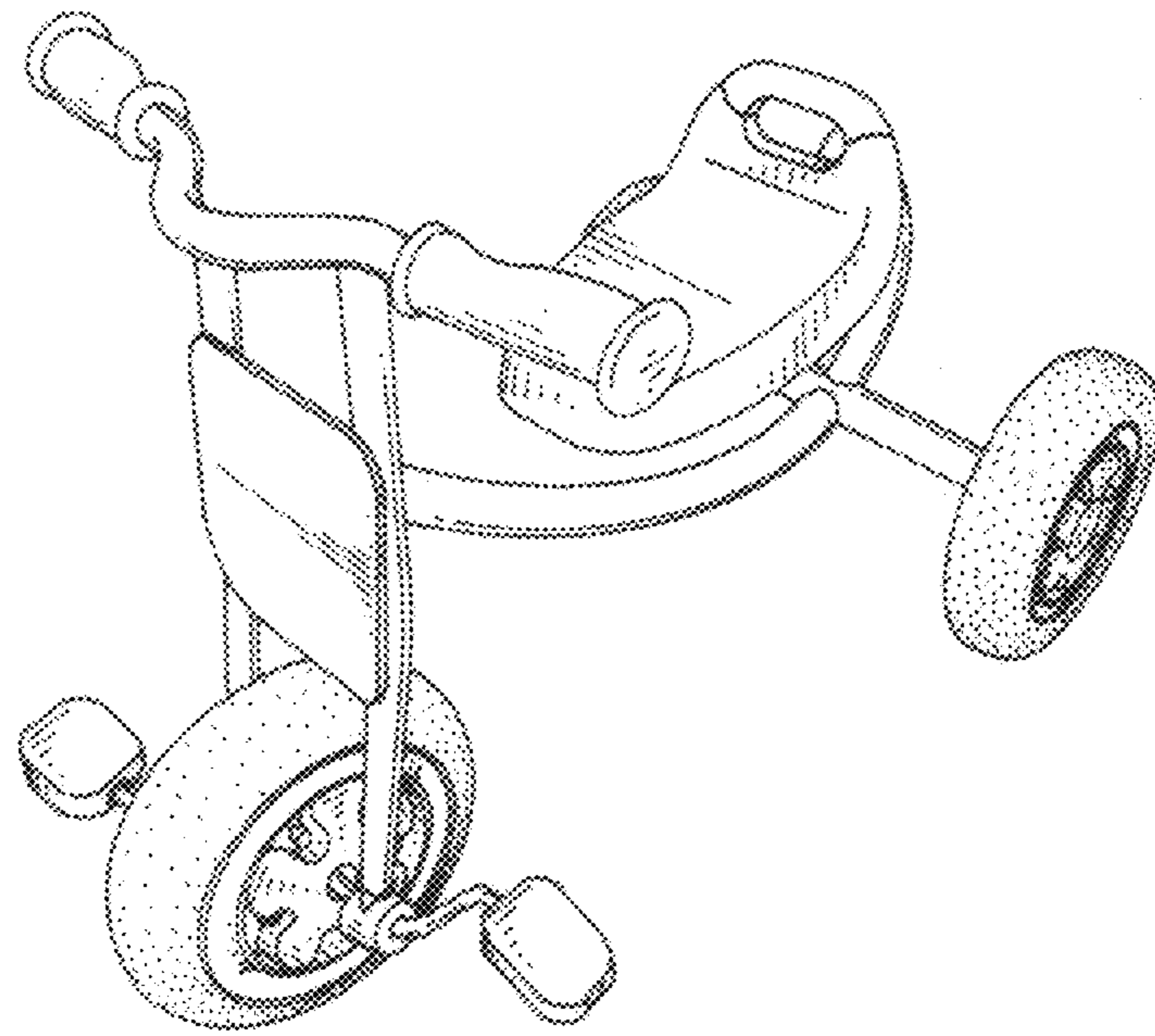


FIG. 1

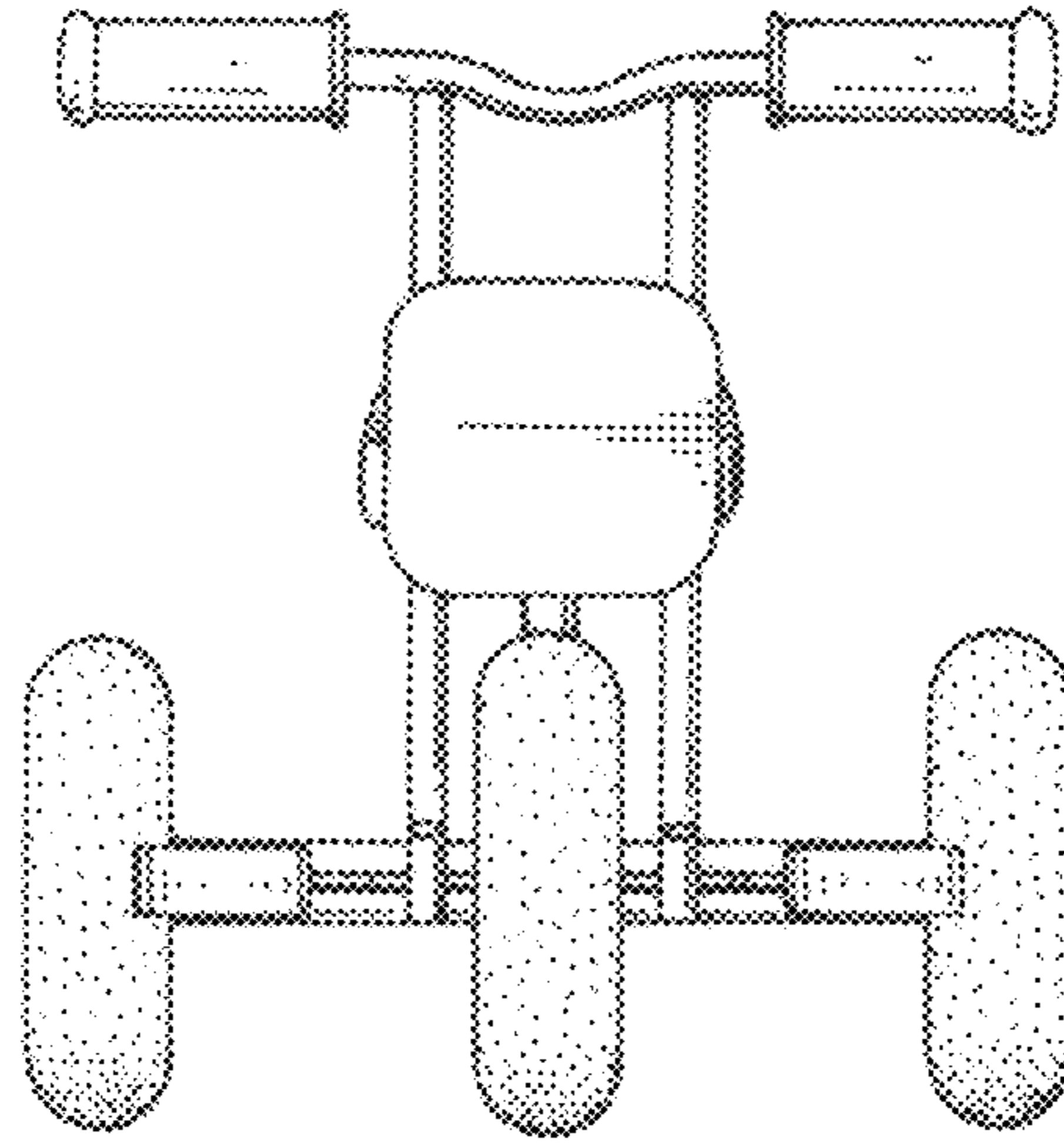


FIG. 2

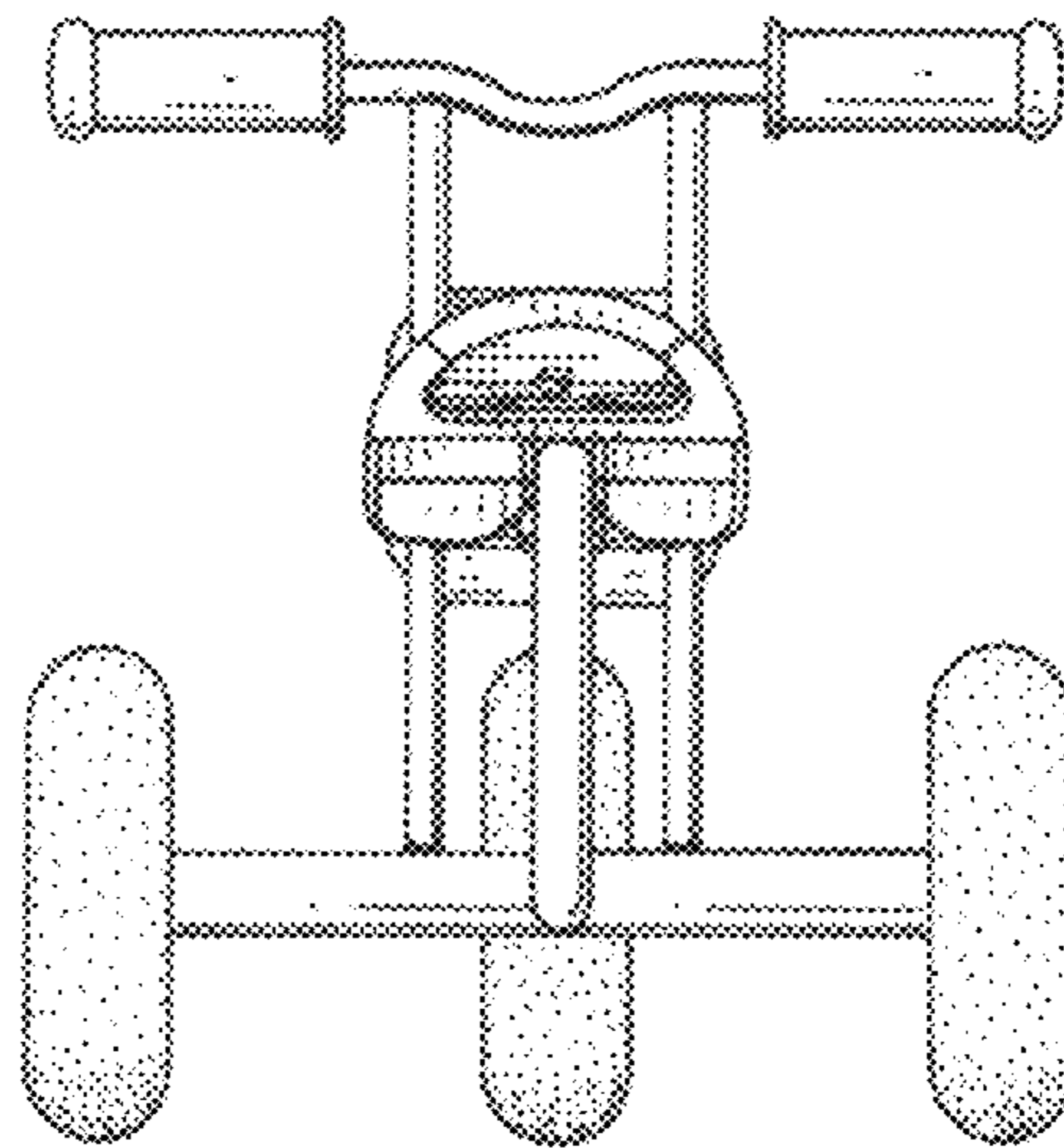


FIG. 3

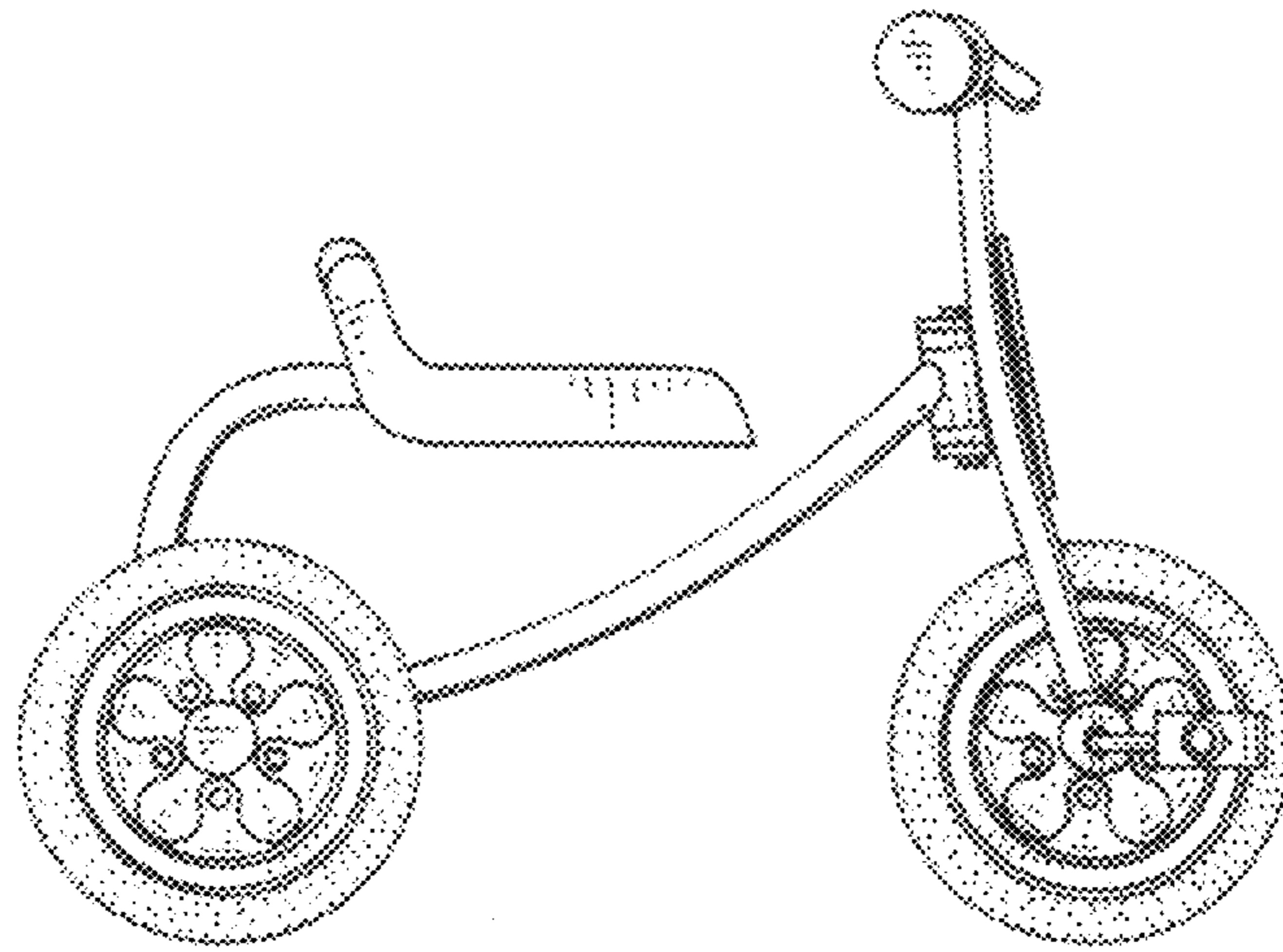


FIG. 4

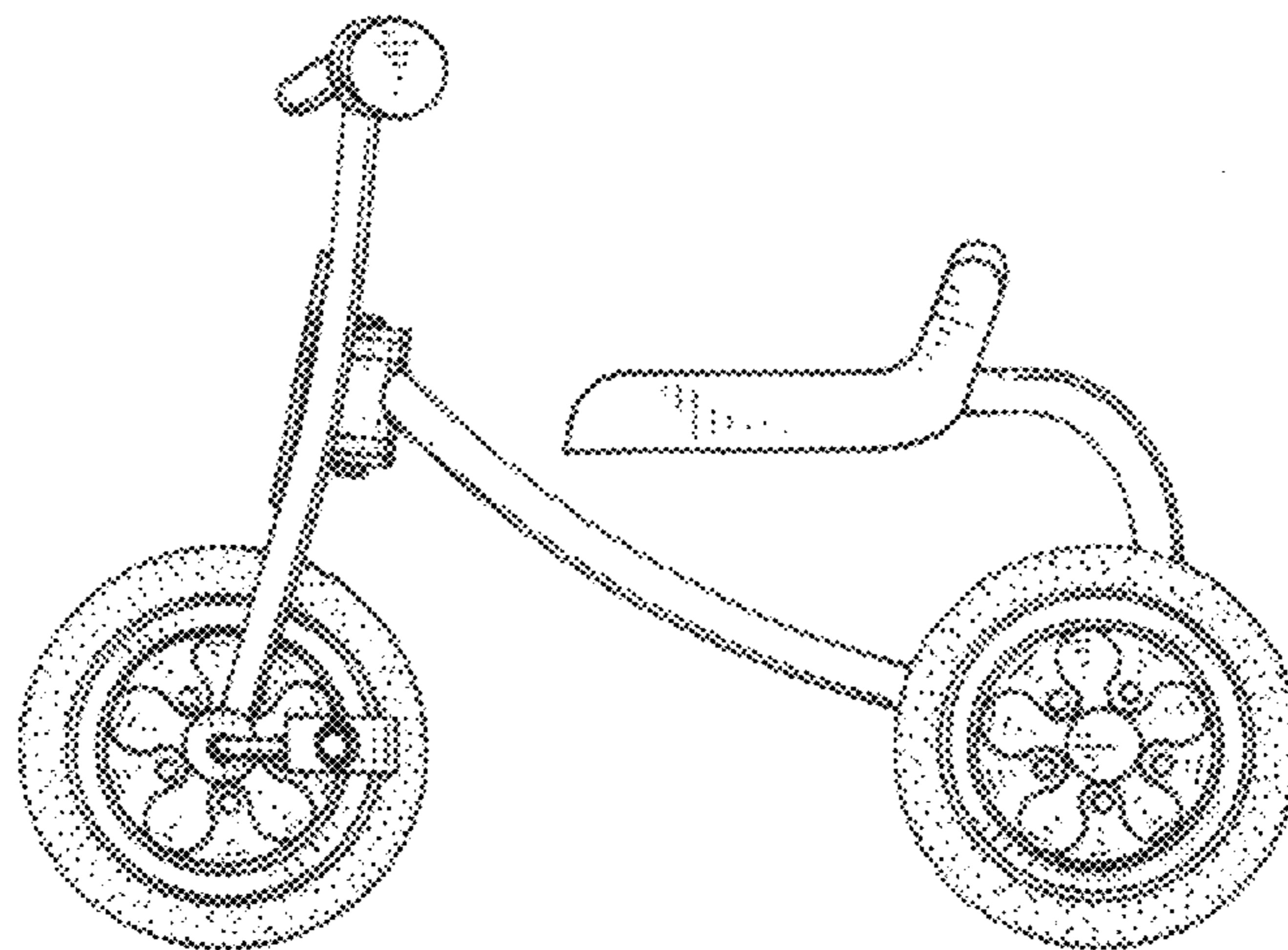


FIG. 5

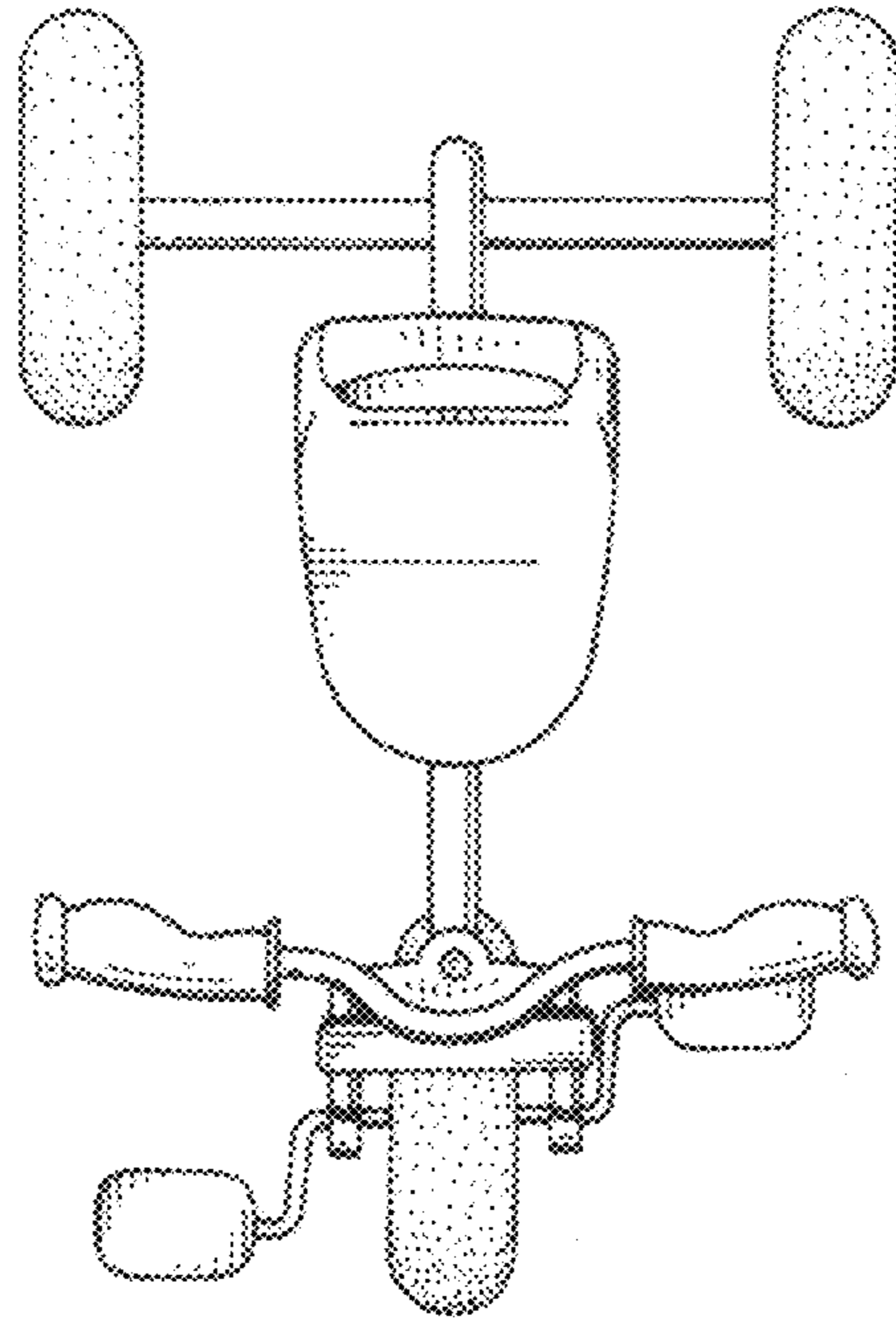


FIG. 6

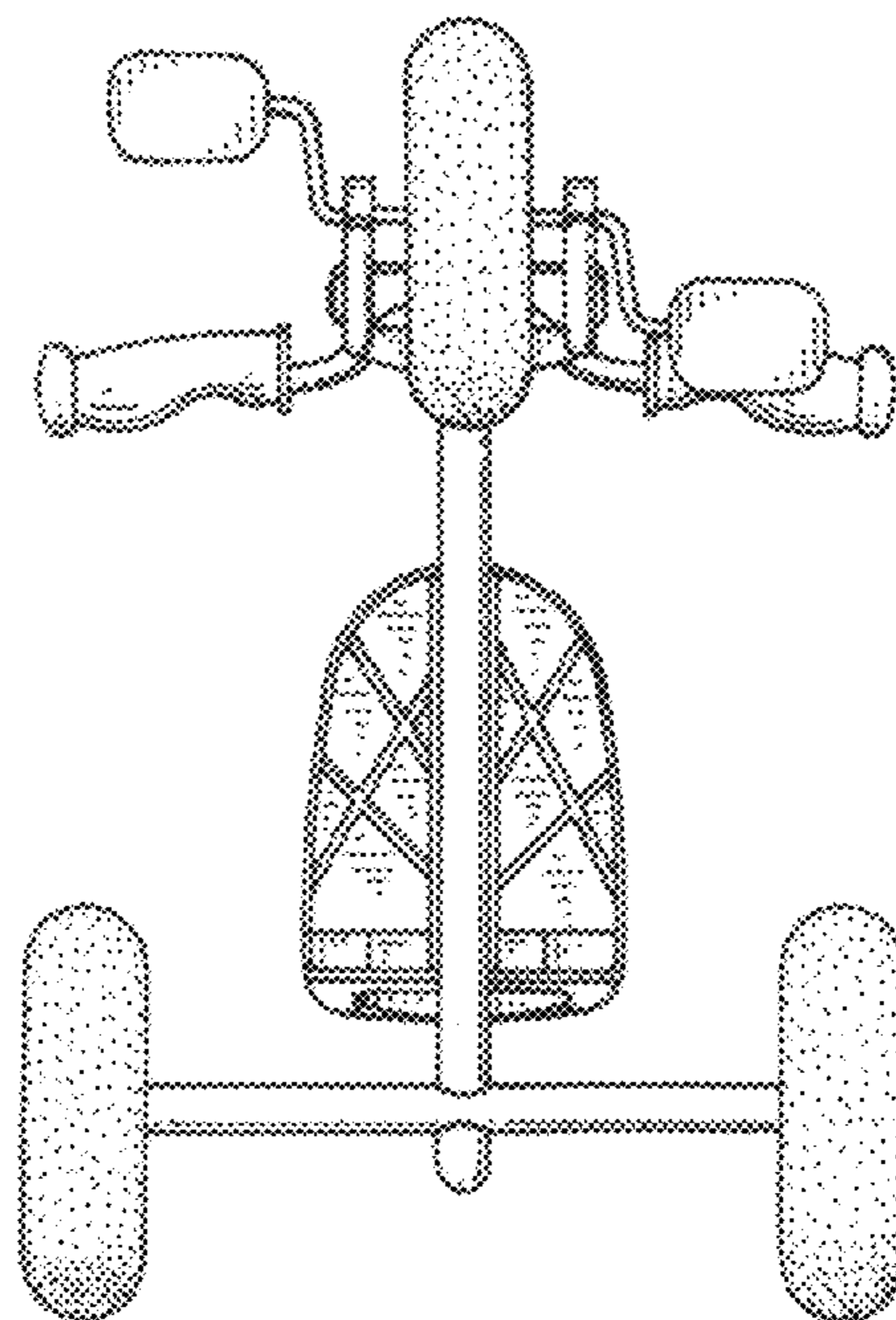


FIG. 7