



US00D903534S

(12) **United States Design Patent**  
**Han**

(10) **Patent No.:** **US D903,534 S**

(45) **Date of Patent:** **\*\* Dec. 1, 2020**

(54) **TRICYCLE FOR CHILD**

(71) Applicant: **Cixi Lianjin Toys Co., Ltd.**, Zhejiang (CN)

(72) Inventor: **Guofei Han**, Zhejiang (CN)

(73) Assignee: **Cixi Lianjin Toys Co., Ltd.**, Ningbo (CN)

(\*\*) Term: **15 Years**

(21) Appl. No.: **29/698,815**

(22) Filed: **Jul. 19, 2019**

(30) **Foreign Application Priority Data**

Jan. 22, 2019 (CN) ..... 2019 3 0035121

(51) **LOC (12) Cl.** ..... **12-11**

(52) **U.S. Cl.**  
USPC ..... **D12/112; D12/113**

(58) **Field of Classification Search**

USPC ..... D12/112, 113; D21/432, 435, 538  
CPC ..... B62K 9/02; B62K 15/00; B62K 15/008;  
B62K 21/00; B62J 17/08

See application file for complete search history.

(56) **References Cited**

**U.S. PATENT DOCUMENTS**

|           |     |         |            |       |                        |
|-----------|-----|---------|------------|-------|------------------------|
| 5,499,834 | A * | 3/1996  | Pasin      | ..... | B60B 37/00<br>280/259  |
| D402,596  | S * | 12/1998 | Liu        | ..... | D12/113                |
| 6,152,473 | A * | 11/2000 | Shih       | ..... | B62K 15/008<br>280/278 |
| D436,896  | S * | 1/2001  | Chiappepta | ..... | D12/113                |
| D470,081  | S * | 2/2003  | Wu         | ..... | D12/112                |
| D470,082  | S * | 2/2003  | Wu         | ..... | D12/112                |
| D470,083  | S * | 2/2003  | Wu         | ..... | D12/112                |
| D488,103  | S * | 4/2004  | Chaudeurge | ..... | D12/112                |
| D496,609  | S * | 9/2004  | Auberger   | ..... | D12/112                |
| D540,717  | S * | 4/2007  | On         | ..... | D12/112                |
| D582,489  | S * | 12/2008 | Badanjo    | ..... | D21/435                |

|           |      |        |            |       |                      |
|-----------|------|--------|------------|-------|----------------------|
| D622,639  | S *  | 8/2010 | Brockmeyer | ..... | D12/113              |
| D645,381  | S *  | 9/2011 | Bricker    | ..... | D12/112              |
| D680,175  | S *  | 4/2013 | Nielsen    | ..... | D21/435              |
| 8,517,406 | B2 * | 8/2013 | Diekman    | ..... | B62K 9/02<br>280/282 |
| D777,609  | S *  | 1/2017 | Loc        | ..... | D12/112              |

(Continued)

**OTHER PUBLICATIONS**

Globber Scooters. "Globber Explorer Trike 4in1." YouTube., Jan. 12, 2020 [online], [retrieved on Oct. 1, 2020]. Retrieved from the Internet <URL: <https://www.youtube.com/watch?v=IdVCYG1BGZQ>>.\*

*Primary Examiner* — Darlington Ly

(74) *Attorney, Agent, or Firm* — Lucas & Mercanti, LLP

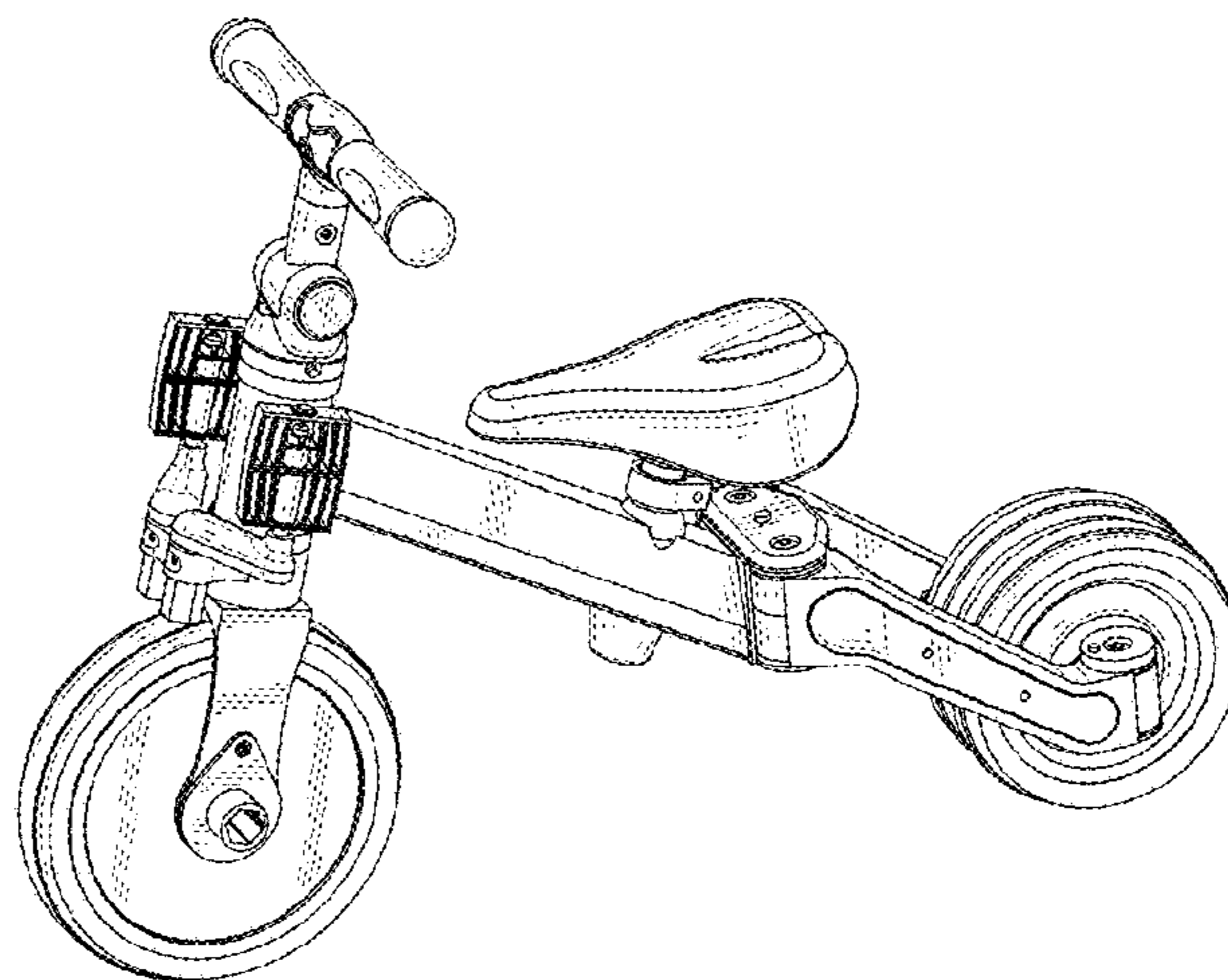
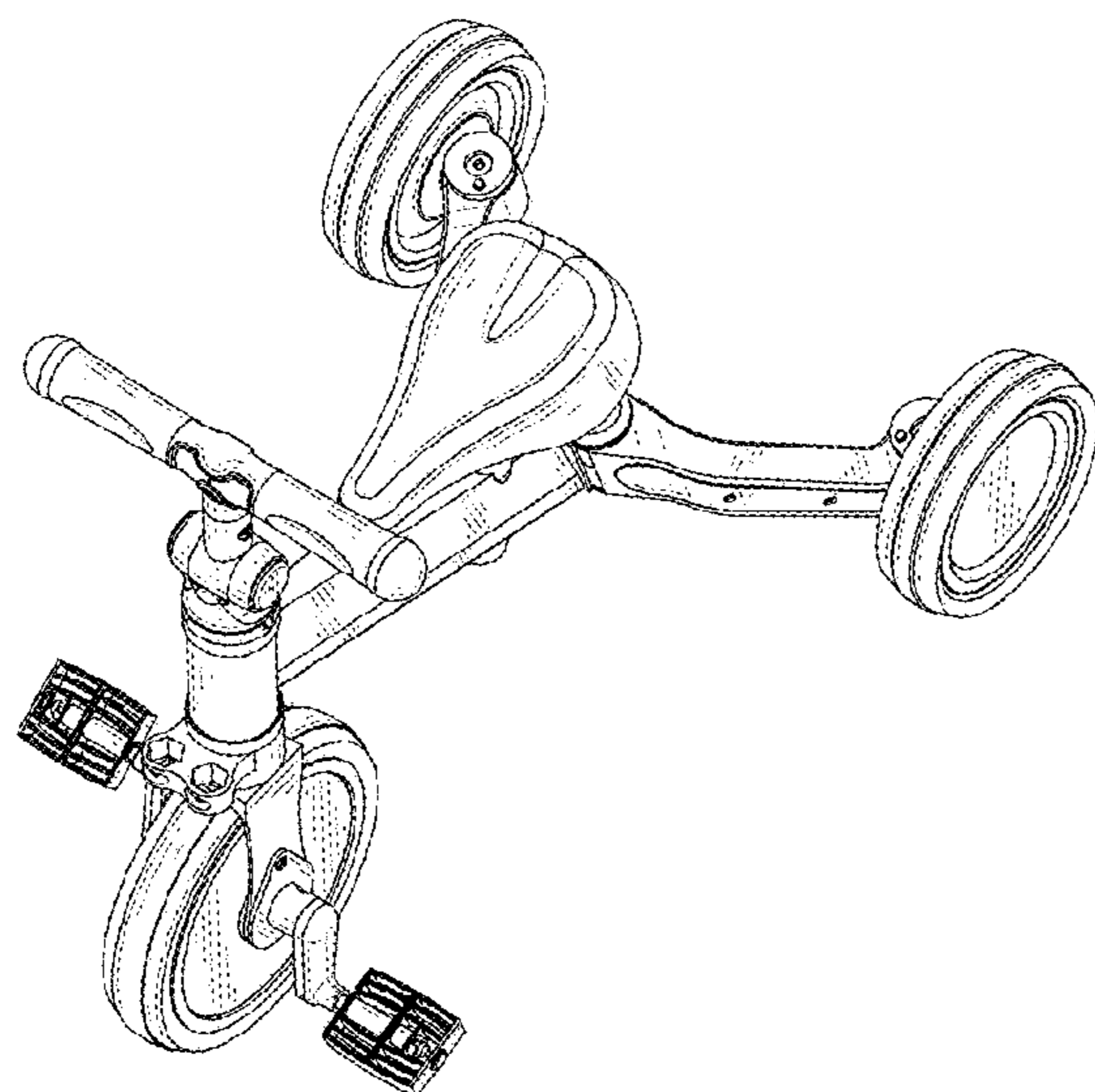
(57) **CLAIM**

The ornamental design for a tricycle for child, as shown and described.

**DESCRIPTION**

FIG. 1 is a top, front, and left side perspective view of a tricycle for child embodying my new design;  
FIG. 2 is a bottom, front, and left side perspective view thereof;  
FIG. 3 is a top, rear, and right side perspective view thereof;  
FIG. 4 is a front elevation view thereof;  
FIG. 5 is a rear elevation view thereof;  
FIG. 6 is a right side elevation view thereof;  
FIG. 7 is a left side elevation view thereof;  
FIG. 8 is a top plan view thereof;  
FIG. 9 is a bottom plan view thereof;  
FIG. 10 is a top, front, and left side perspective view thereof with the pedals stowed in an up position and the rear wheels are collapsed together; and,  
FIG. 11 is a top, rear, and left side perspective view thereof with the pedals stowed in an up position and the rear wheels are collapsed together.

**1 Claim, 11 Drawing Sheets**



(56)

**References Cited**

U.S. PATENT DOCUMENTS

|                   |        |                  |                       |
|-------------------|--------|------------------|-----------------------|
| D782,942 S *      | 4/2017 | Trifaro .....    | D12/112               |
| D787,378 S *      | 5/2017 | Ostergaard ..... | D12/112               |
| D827,501 S *      | 9/2018 | Baker .....      | D12/112               |
| 2014/0265233 A1 * | 9/2014 | Jessie, Jr. .... | B62K 13/04<br>280/287 |

\* cited by examiner

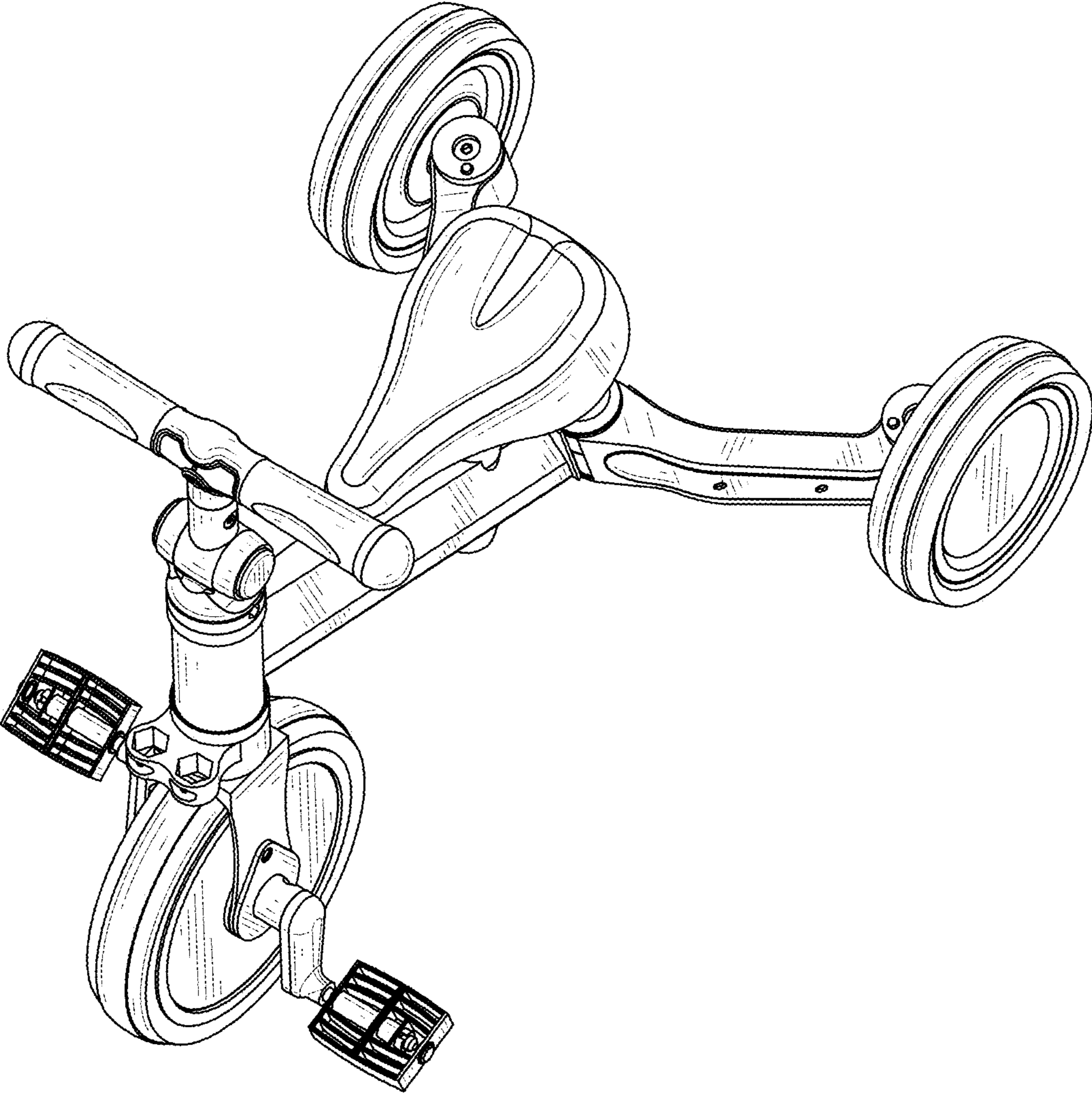


FIG. 1

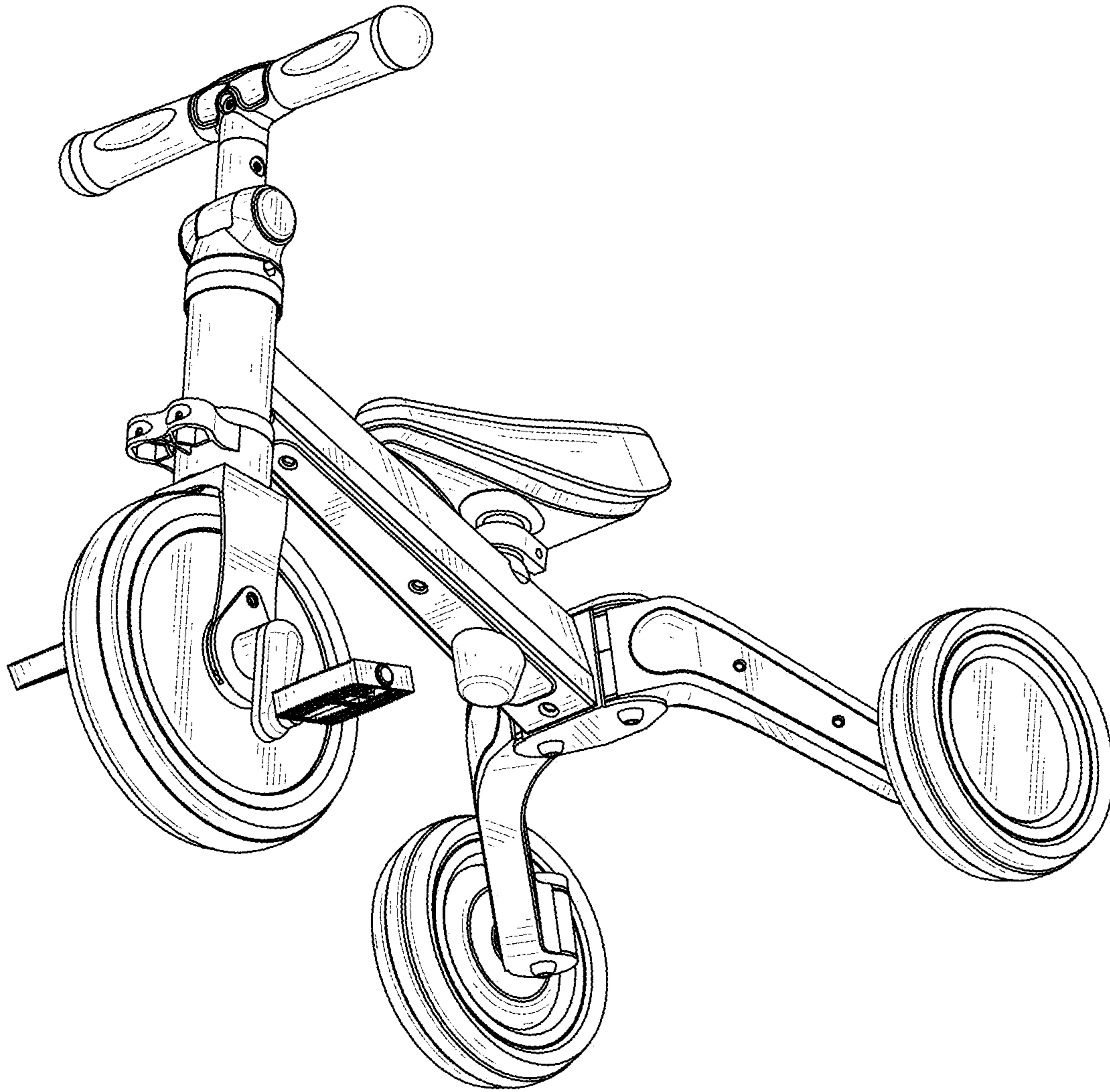


FIG. 2

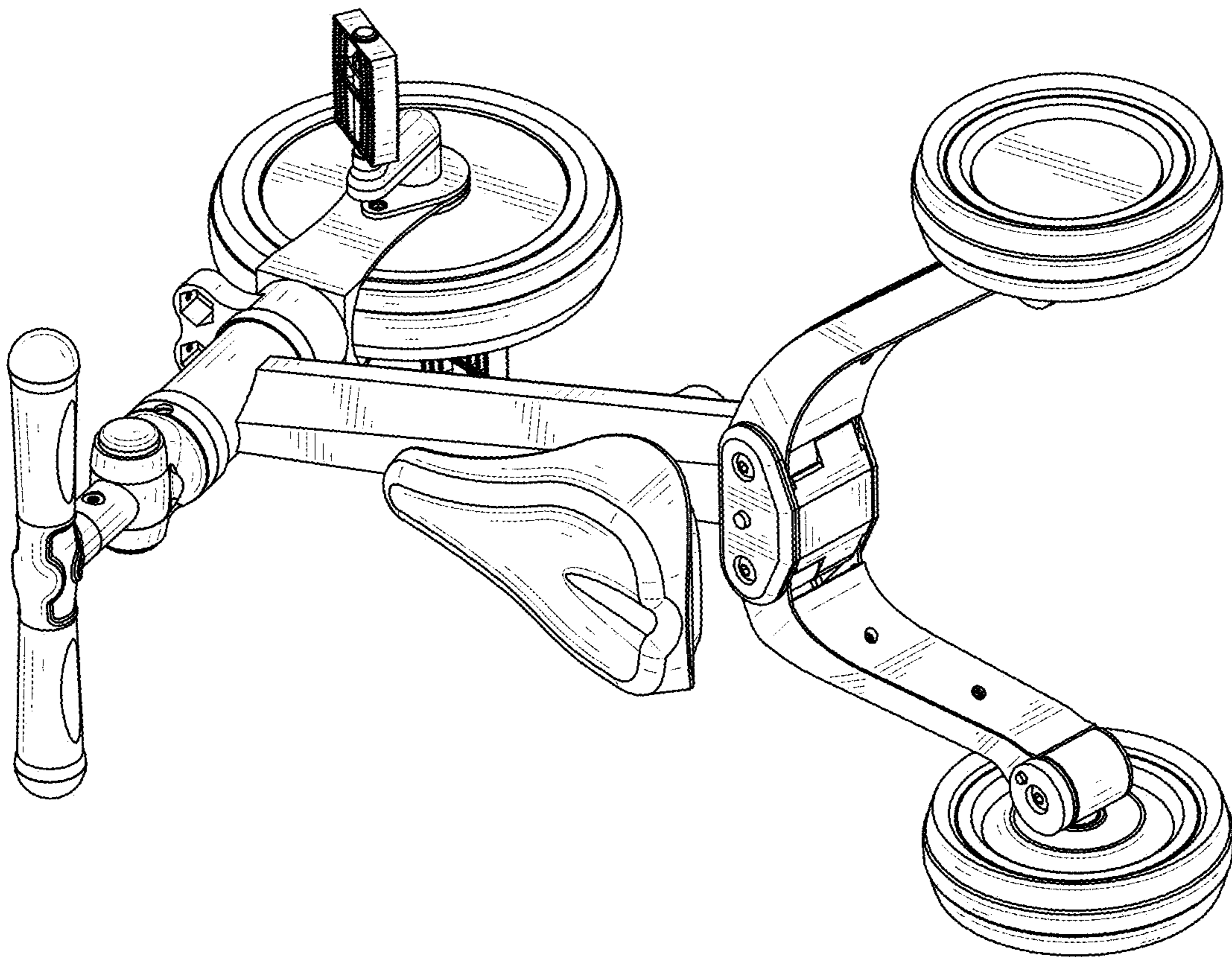


FIG. 3

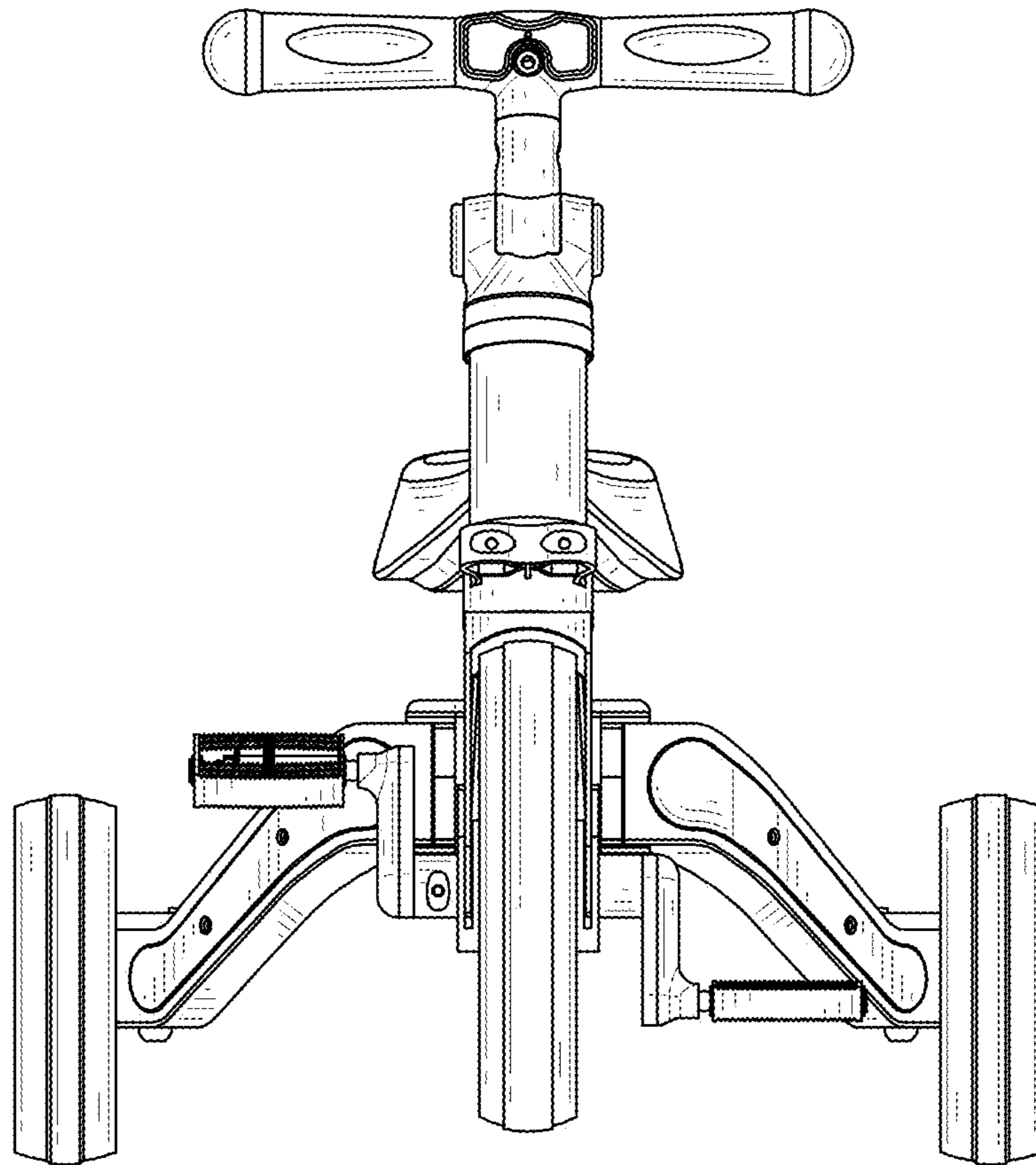


FIG. 4

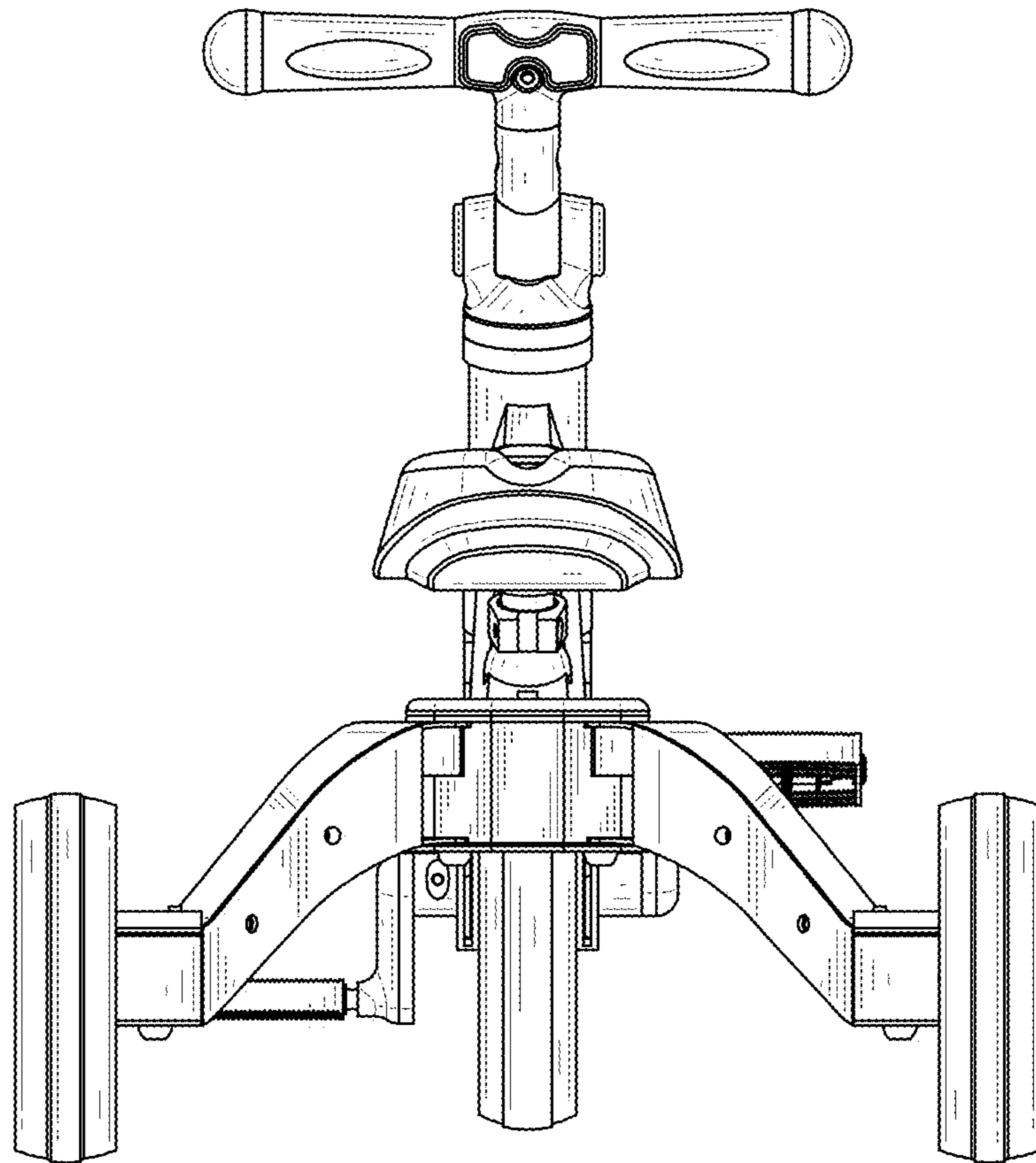


FIG. 5

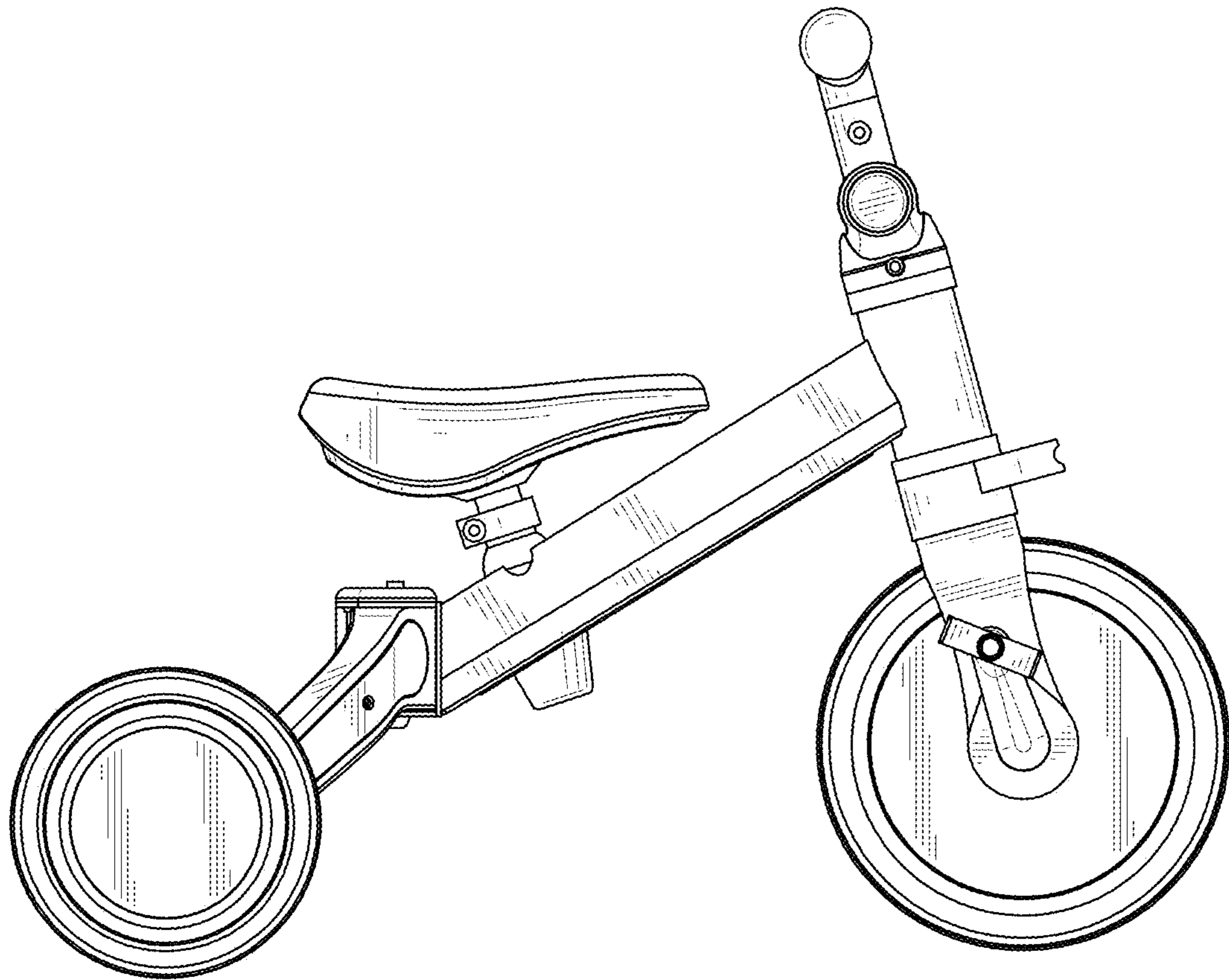


FIG. 6



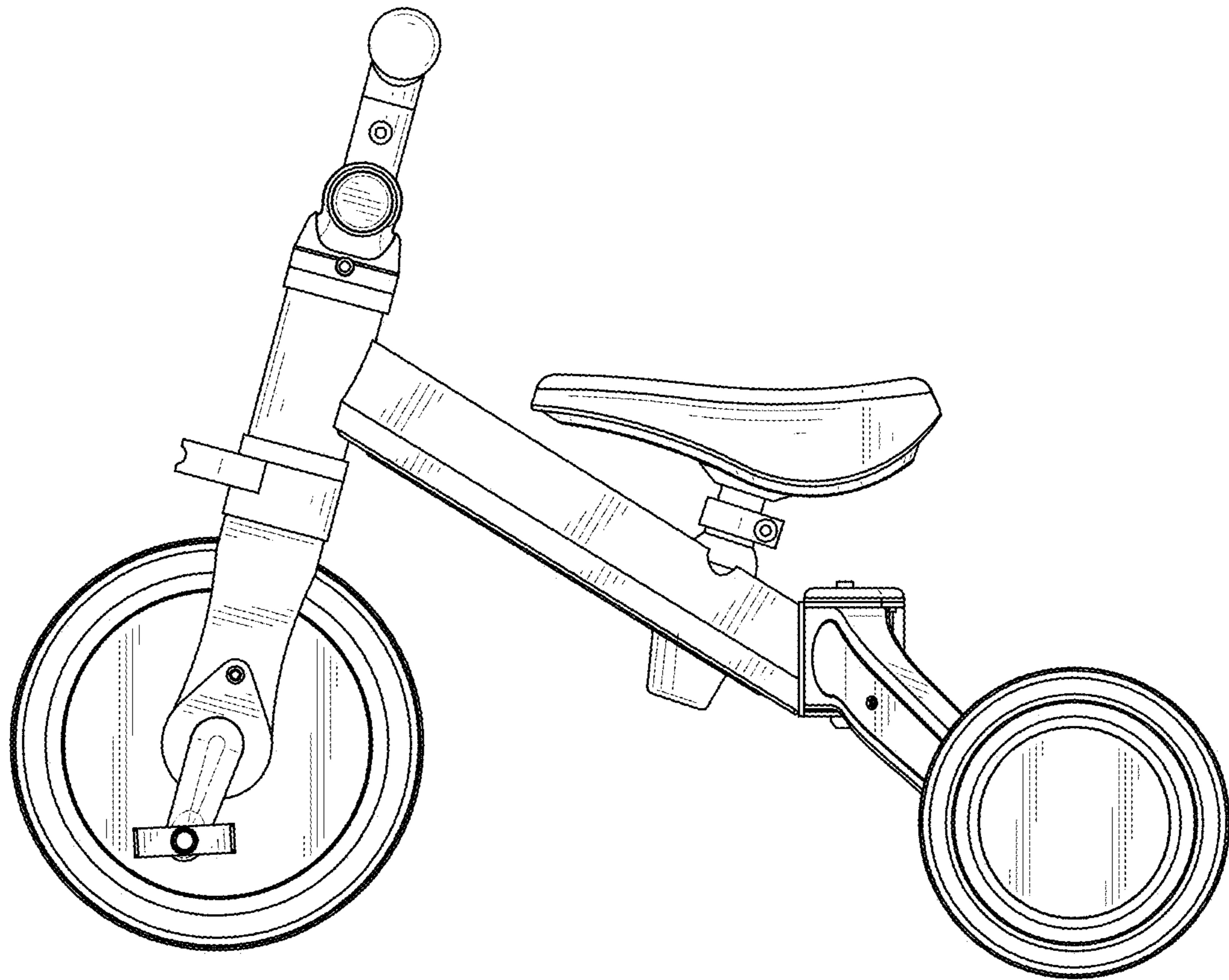


FIG. 7

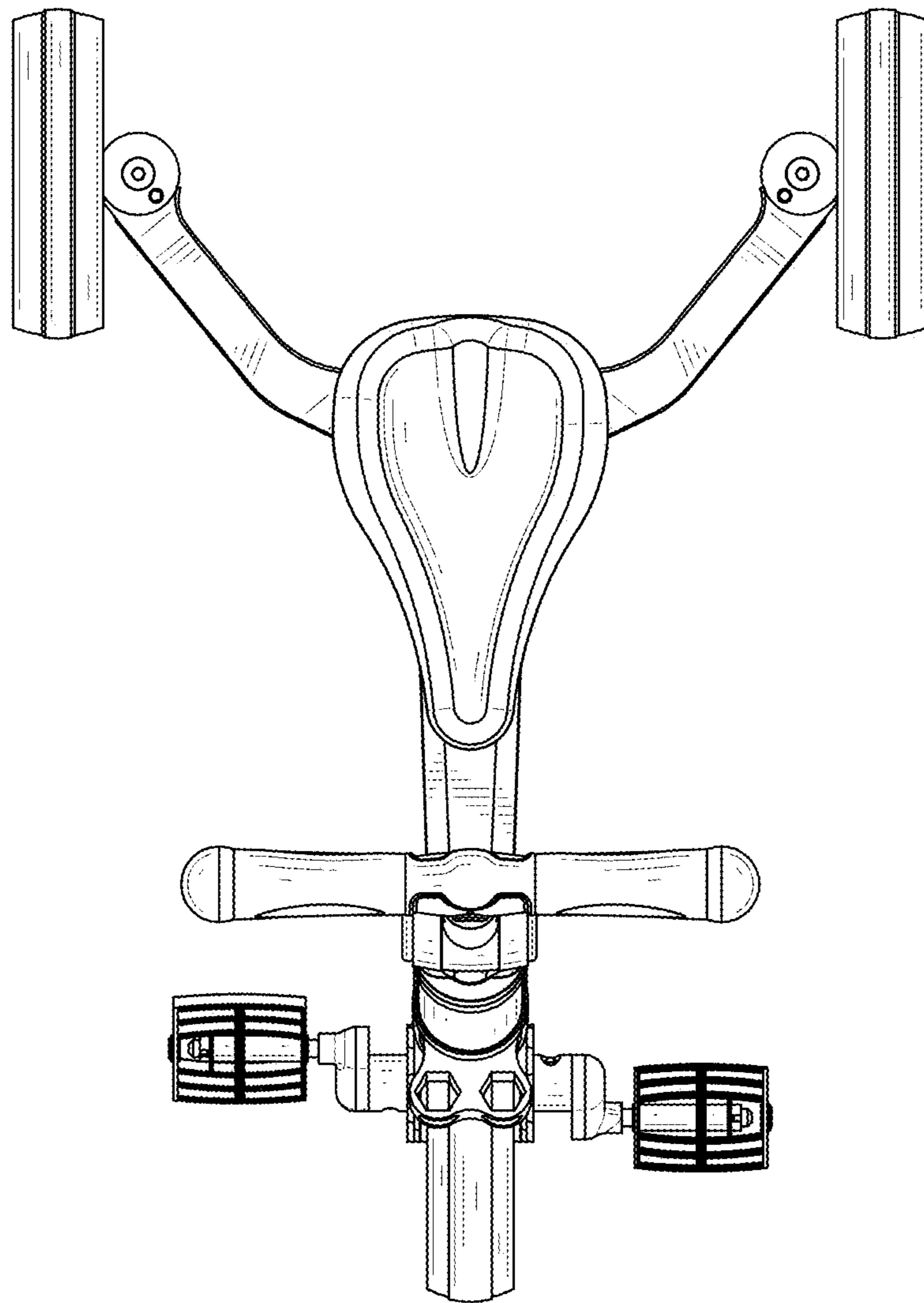


FIG. 8

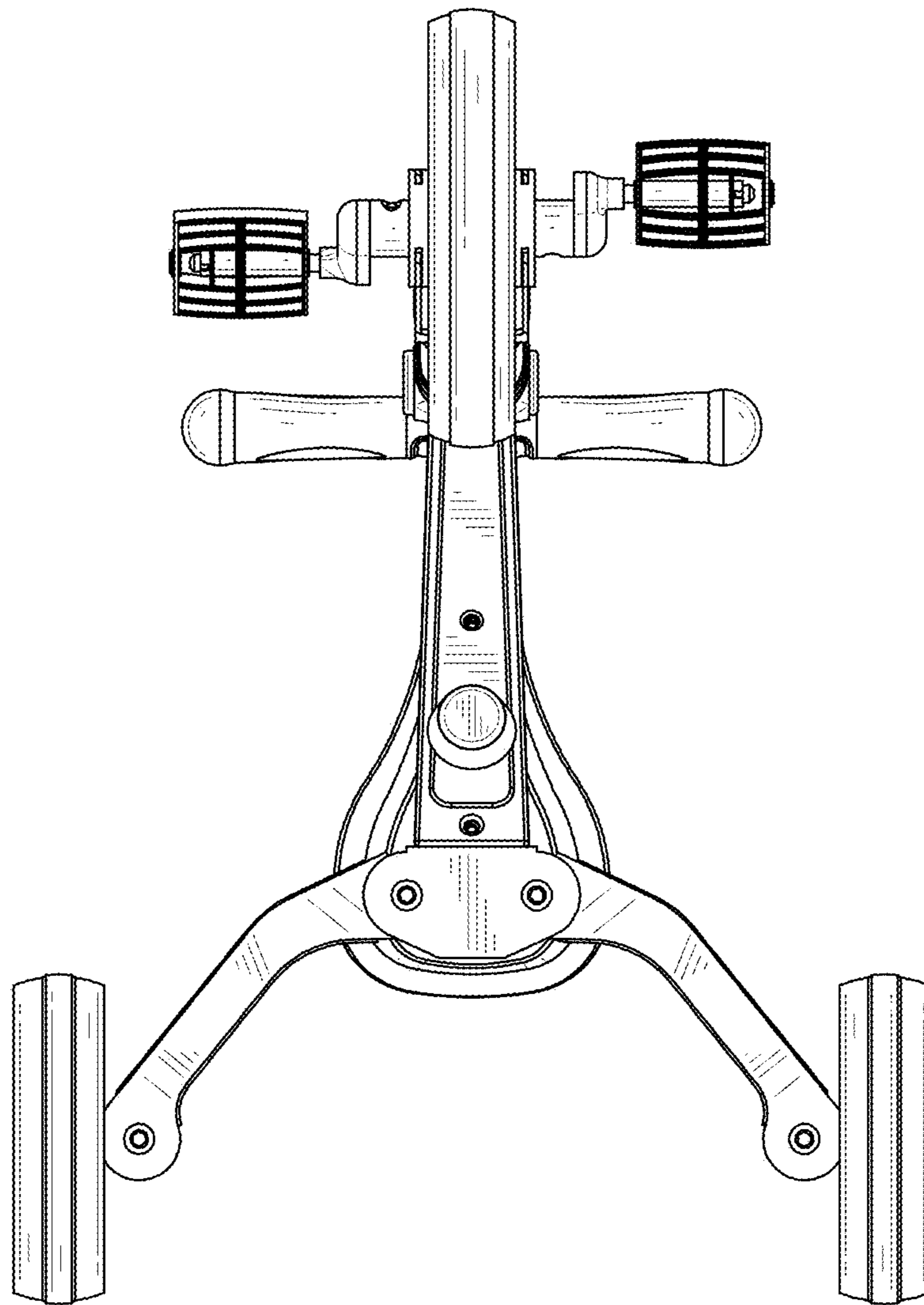


FIG. 9

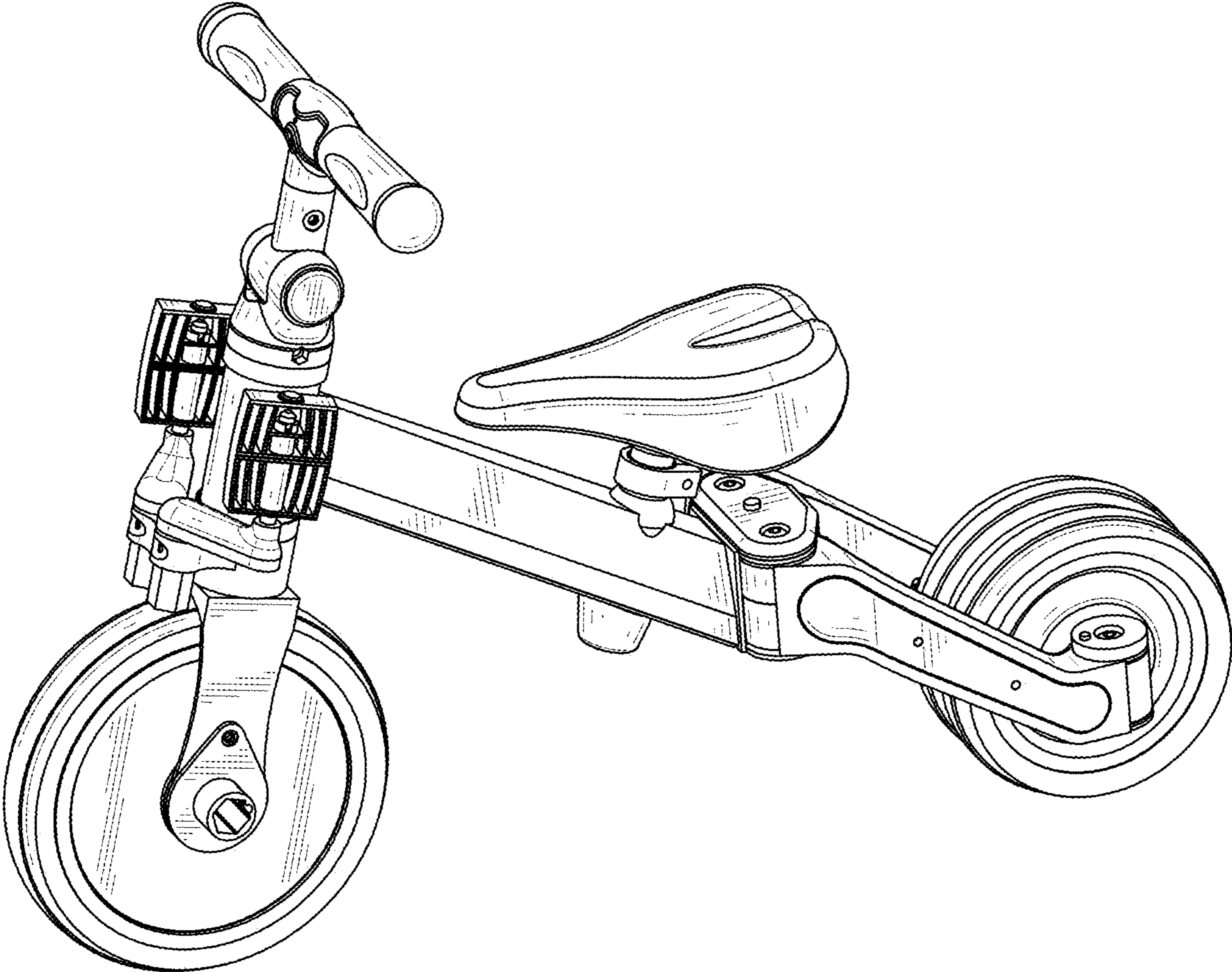


FIG. 10

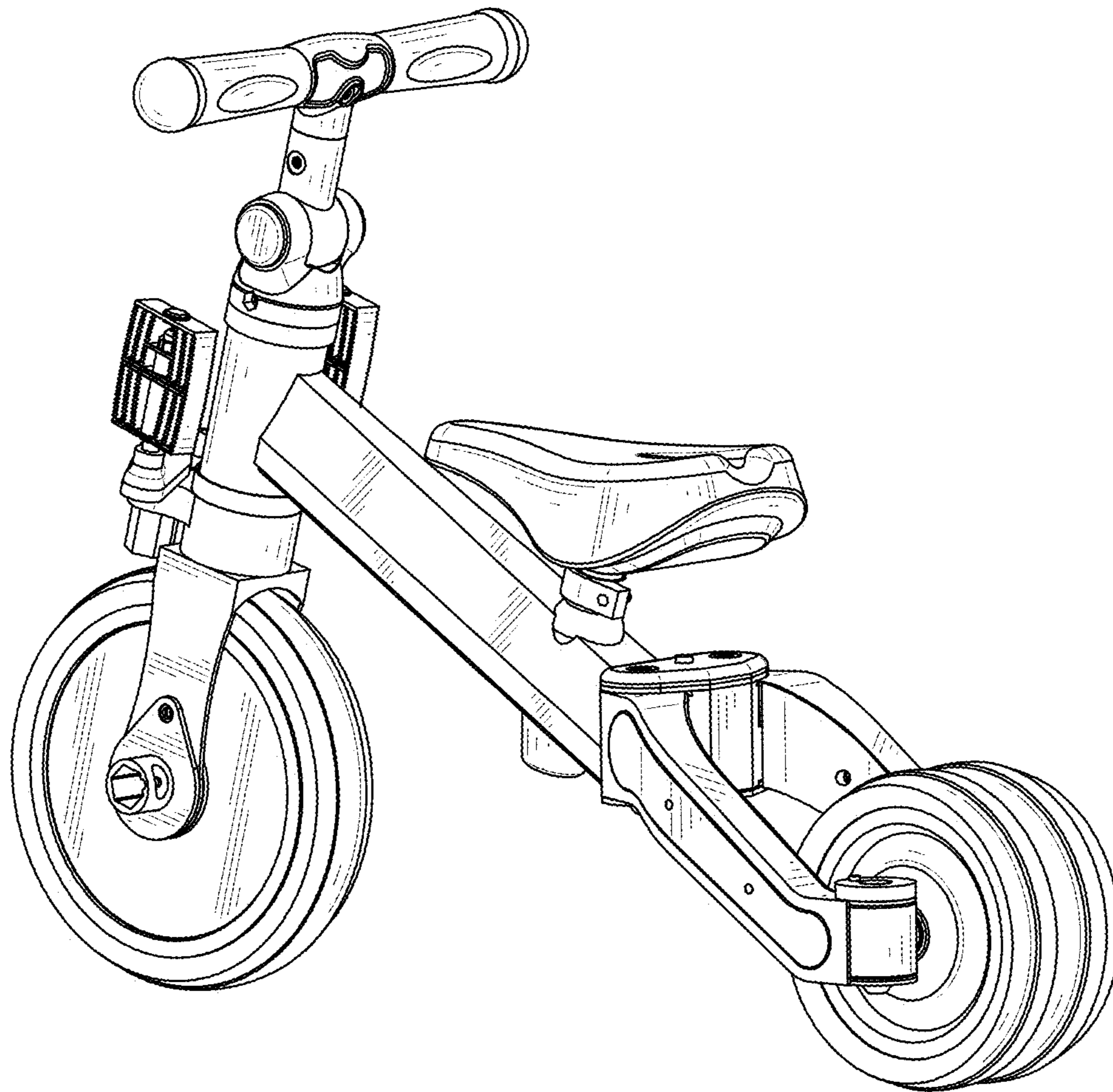


FIG. 11