



US00D903533S

(12) **United States Design Patent** (10) **Patent No.:** **US D903,533 S**
Kerley (45) **Date of Patent:** **** Dec. 1, 2020**

(54) **TRICYCLE FRAME**
(71) Applicant: **Thomas E. Kerley**, Melvern, KS (US)
(72) Inventor: **Thomas E. Kerley**, Melvern, KS (US)
(**) Term: **15 Years**
(21) Appl. No.: **29/689,676**
(22) Filed: **May 1, 2019**
(51) **LOC (12) Cl.** **12-11**
(52) **U.S. Cl.**
USPC **D12/112**
(58) **Field of Classification Search**
USPC D12/85, 86, 107, 112, 131; D21/424,
D21/433, 434, 435
CPC B62D 21/11; B62D 29/043; B62D 31/00;
B62D 49/00; B62D 61/065
See application file for complete search history.

7,909,340 B2 * 3/2011 Henderson B62K 5/05
280/124.103
D642,096 S * 7/2011 Taylor D12/112
D668,186 S * 10/2012 Tremblay D12/112
8,632,088 B2 * 1/2014 Yerdon B60T 7/104
280/221
D753,553 S * 4/2016 Alink D12/112
D774,969 S * 12/2016 Angelov D12/111
2011/0031716 A1 * 2/2011 Taylor B62K 5/08
280/259

* cited by examiner

Primary Examiner — Darlington Ly

(74) *Attorney, Agent, or Firm* — Dak J. Ream

(57) **CLAIM**

The ornamental design for a tricycle frame, as shown and described.

DESCRIPTION

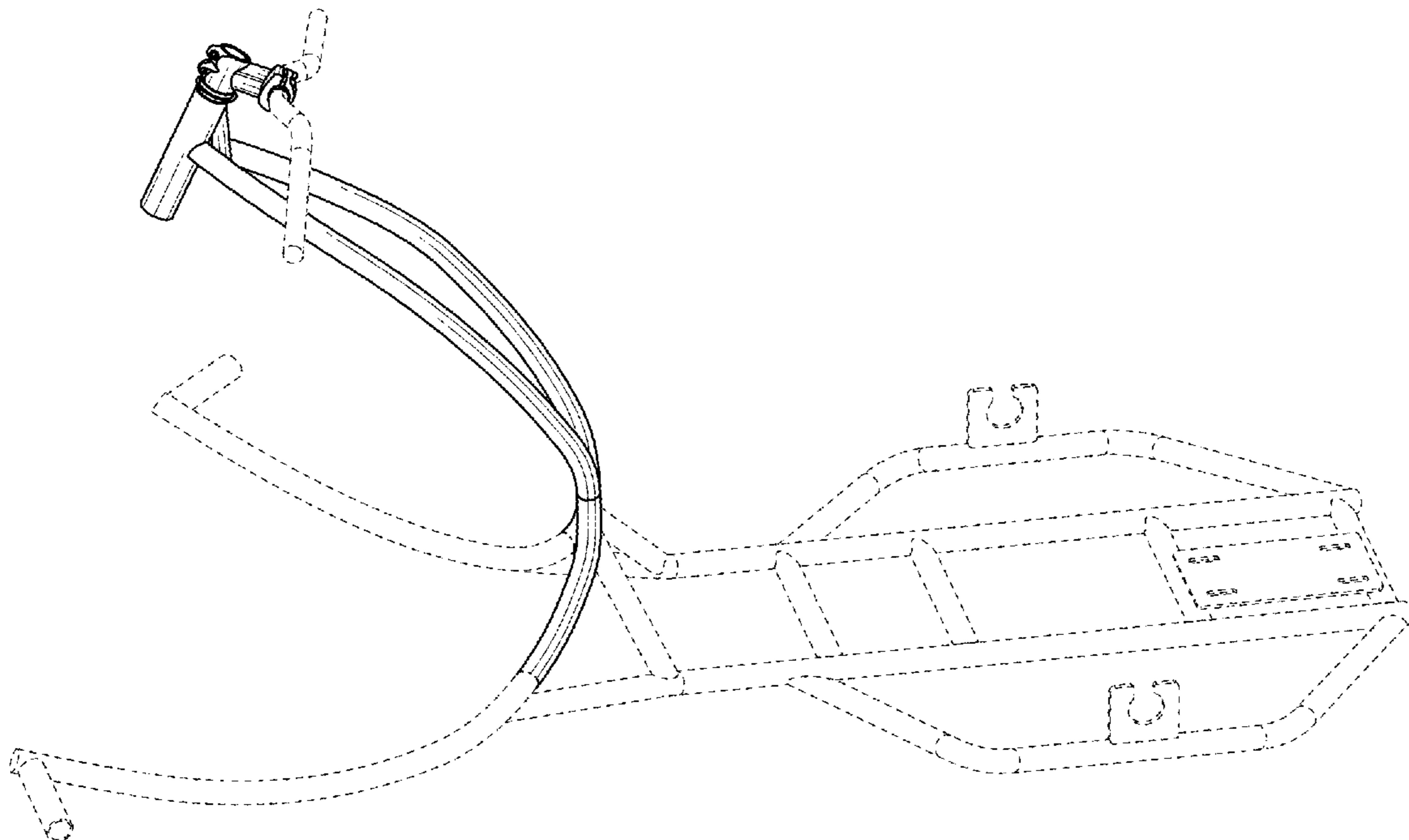
FIG. 1 is a perspective view of a tricycle frame showing my new design;
FIG. 2 is a front elevation view thereof;
FIG. 3 is a rear elevation view thereof;
FIG. 4 is a left side elevation view thereof;
FIG. 5 is a right side elevation view thereof;
FIG. 6 is a top plan view thereof;
FIG. 7 is a bottom plan view thereof; and,
FIG. 8 is a perspective view thereof as part of a fully assembled motorized tricycle.
The broken lines in the drawings illustrate parts of an environmental motorized tricycle and portions of the tricycle frame that form no part of the claimed design.

1 Claim, 8 Drawing Sheets

(56) **References Cited**

U.S. PATENT DOCUMENTS

D306,988 S * 4/1990 Cummings D12/112
4,917,396 A * 4/1990 Meneses B62K 5/05
280/267
D328,266 S * 7/1992 Cummings D12/112
D357,215 S * 4/1995 Cummings D12/112
5,762,351 A * 6/1998 SooHoo B60G 21/007
180/210
D480,336 S * 10/2003 Yang D12/112
D497,331 S * 10/2004 Chiu D12/112
6,953,203 B2 * 10/2005 Wilcox B62K 3/005
280/282
D515,469 S * 2/2006 Lu D12/108
D524,193 S * 7/2006 Hong D12/112
7,708,291 B1 * 5/2010 Henderson B62K 5/05
280/124.103



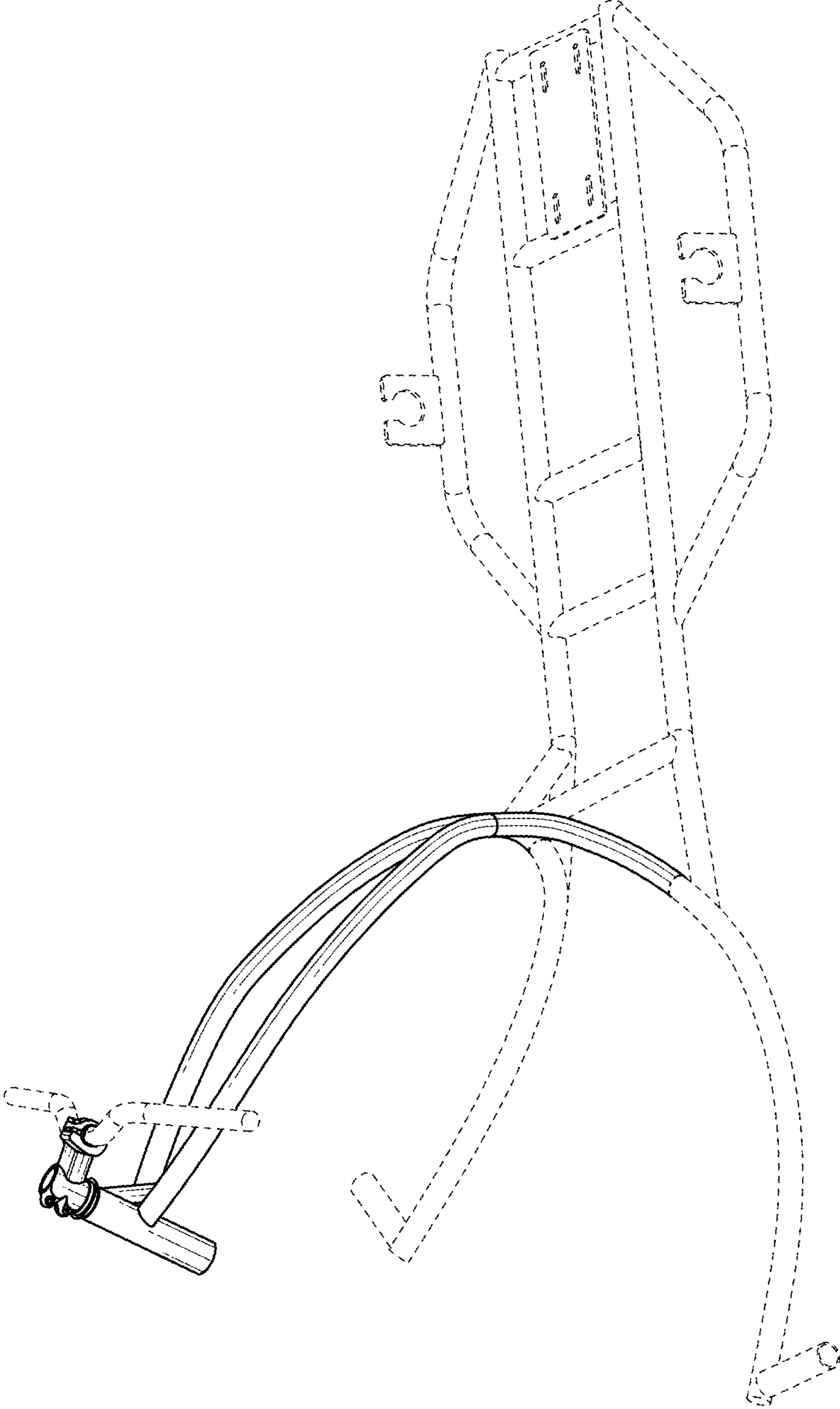


FIG. 1

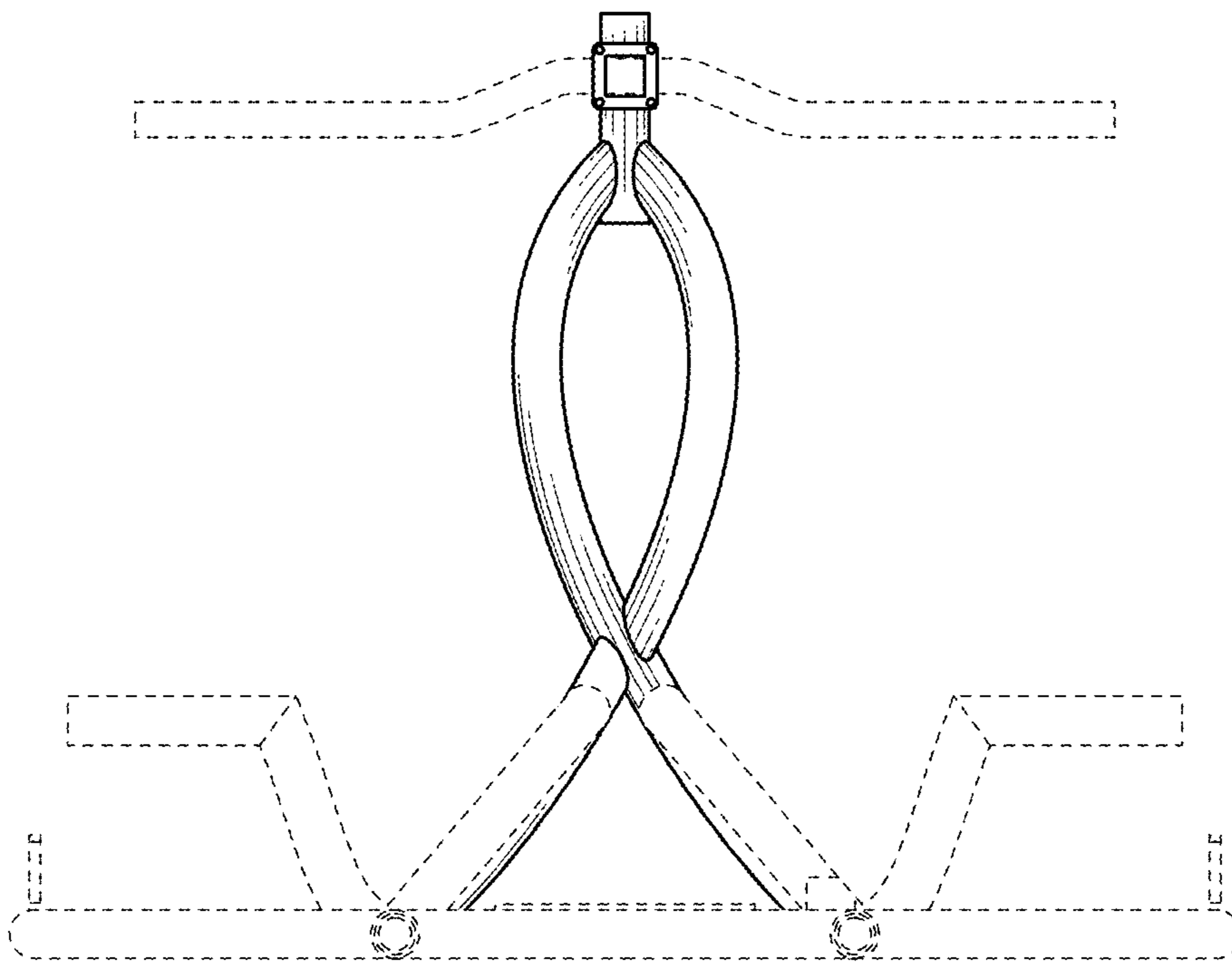


FIG. 2

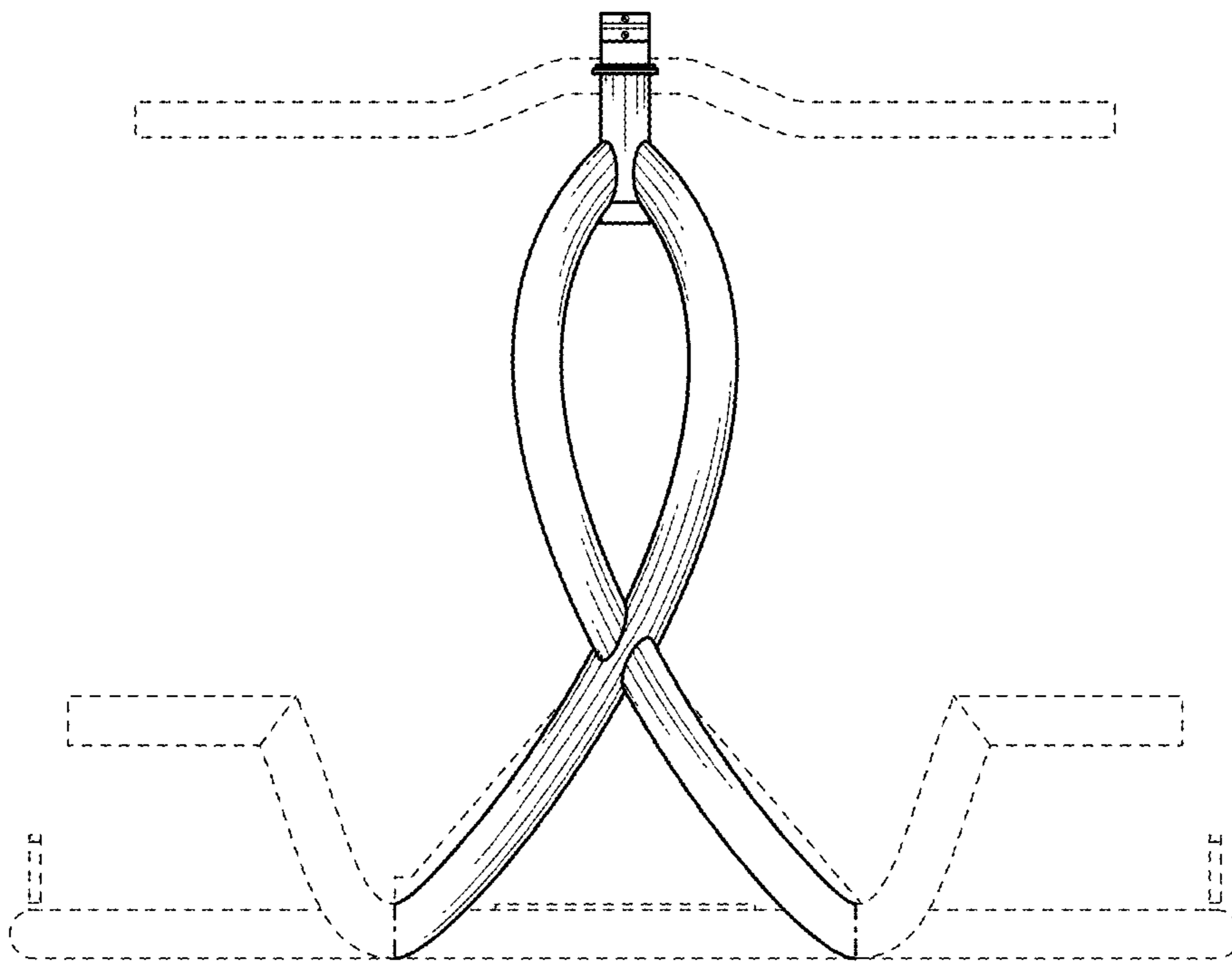


FIG. 3

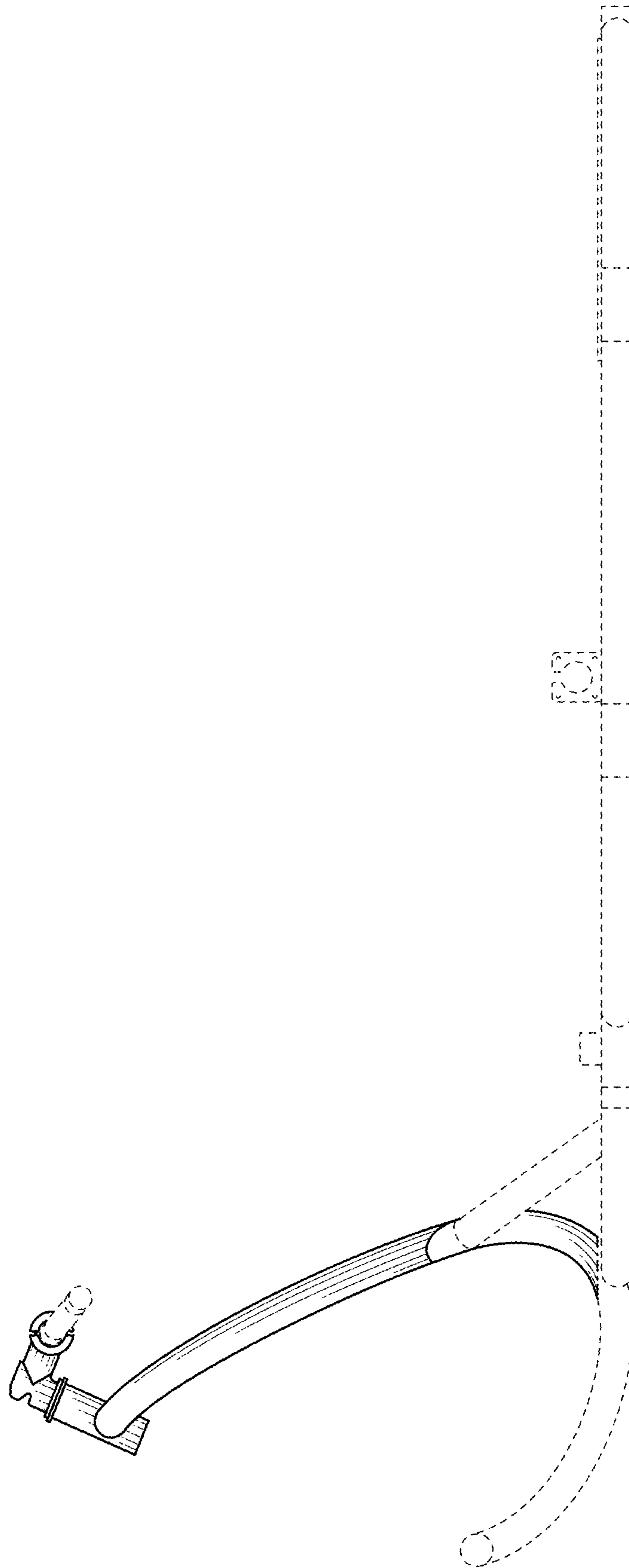


FIG. 4

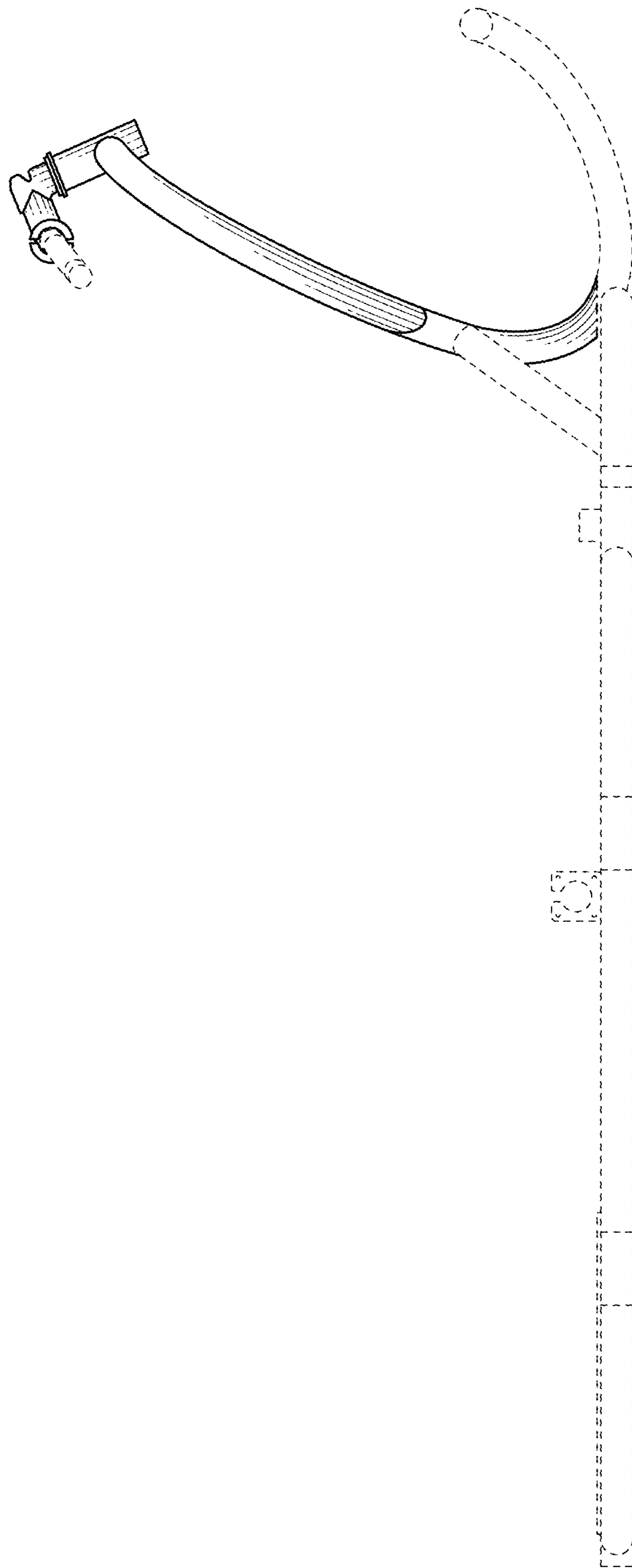


FIG. 5

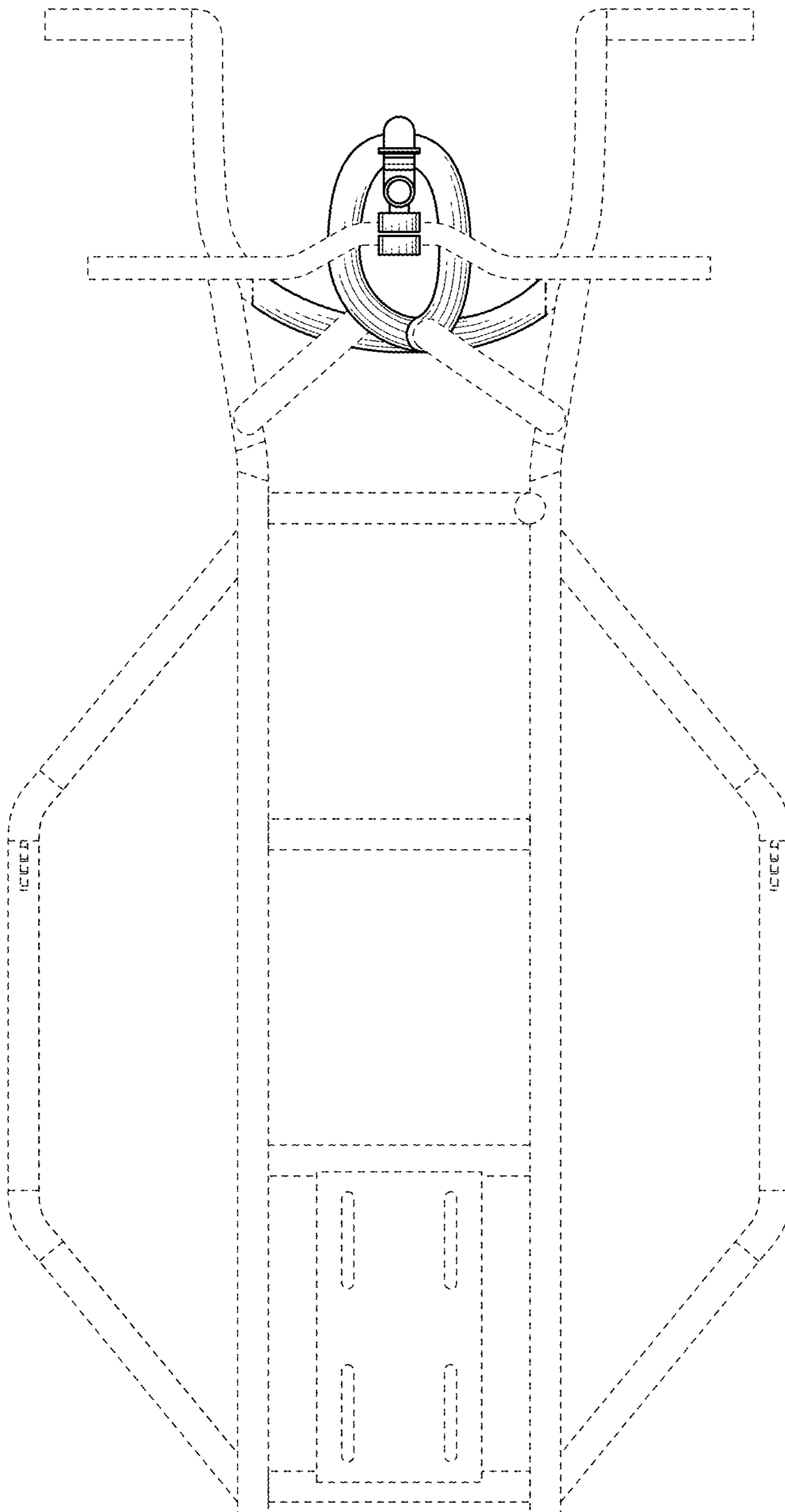


FIG. 6

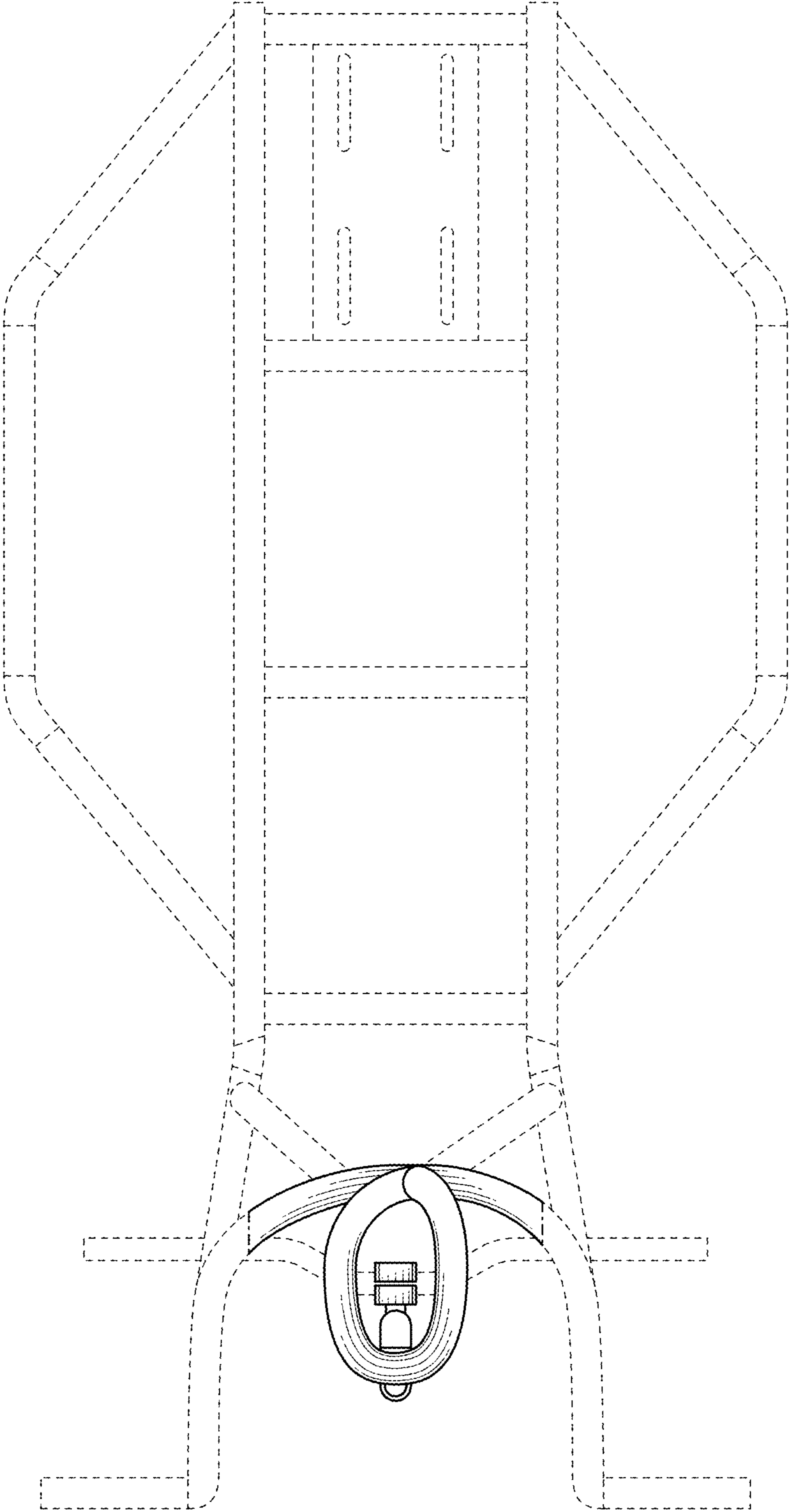


FIG. 7

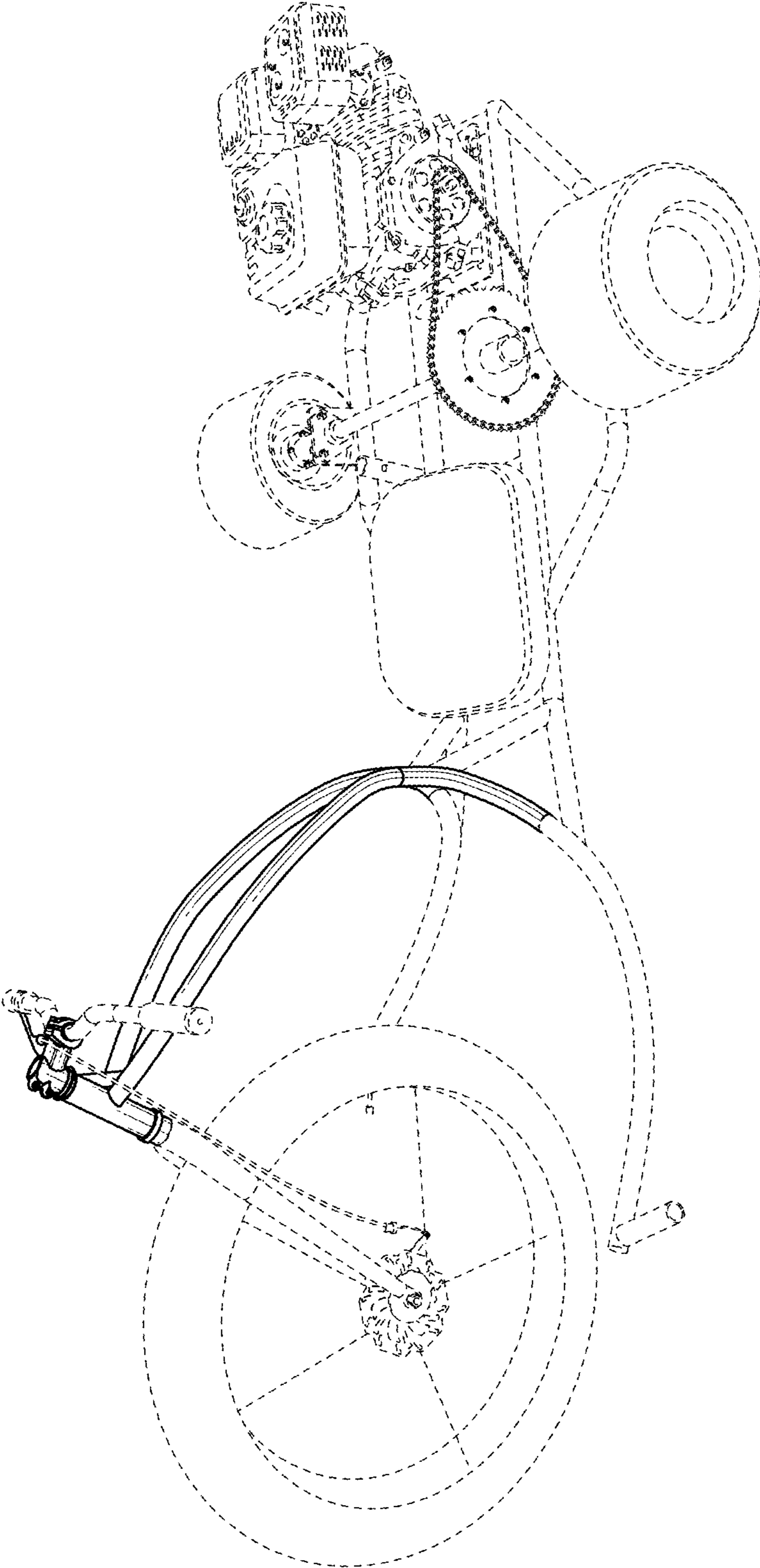


FIG. 8