



US00D903532S

(12) **United States Design Patent**
Ma et al.

(10) **Patent No.:** **US D903,532 S**
(45) **Date of Patent:** **** Dec. 1, 2020**

- (54) **ELECTRIC BICYCLE**
- (71) Applicant: **OLIC INTERNATIONAL CORPORATION**, Huntington Beach, CA (US)
- (72) Inventors: **Ying Ma**, Huntington Beach, CA (US); **Steven X Ma**, Huntington Beach, CA (US)
- (**) Term: **15 Years**
- (21) Appl. No.: **29/690,346**
- (22) Filed: **May 7, 2019**
- (51) **LOC (12) Cl.** **12-11**
- (52) **U.S. Cl.**
USPC **D12/111**
- (58) **Field of Classification Search**
USPC D12/111, 117; D21/412, 414, 419, D21/423-428, 431-435
CPC B62K 3/00; B62K 3/02; B62K 3/06
See application file for complete search history.

7,963,357	B2 *	6/2011	Gulas	B62K 25/283
				180/206.5
D670,208	S *	11/2012	Frenzel	D12/111
D685,683	S *	7/2013	Shaw	D12/111
D686,540	S *	7/2013	Hinderhofer	D12/111
D694,156	S *	11/2013	Taipalus	D12/111
D741,221	S *	10/2015	Haller	D12/111
D752,264	S *	3/2016	Talios	D26/51
D797,609	S *	9/2017	Gonzalez-Gancedo Carrillo-Albornoz	D12/111
2010/0314187	A1 *	12/2010	Chen	B62M 6/60
				180/206.5
2013/0001000	A1 *	1/2013	Krieger	B62M 6/45
				180/206.3

* cited by examiner

Primary Examiner — Darlington Ly
(74) *Attorney, Agent, or Firm* — Tsz Lung Yeung

(57) **CLAIM**

The ornamental design for an electric bicycle, as shown and described.

DESCRIPTION

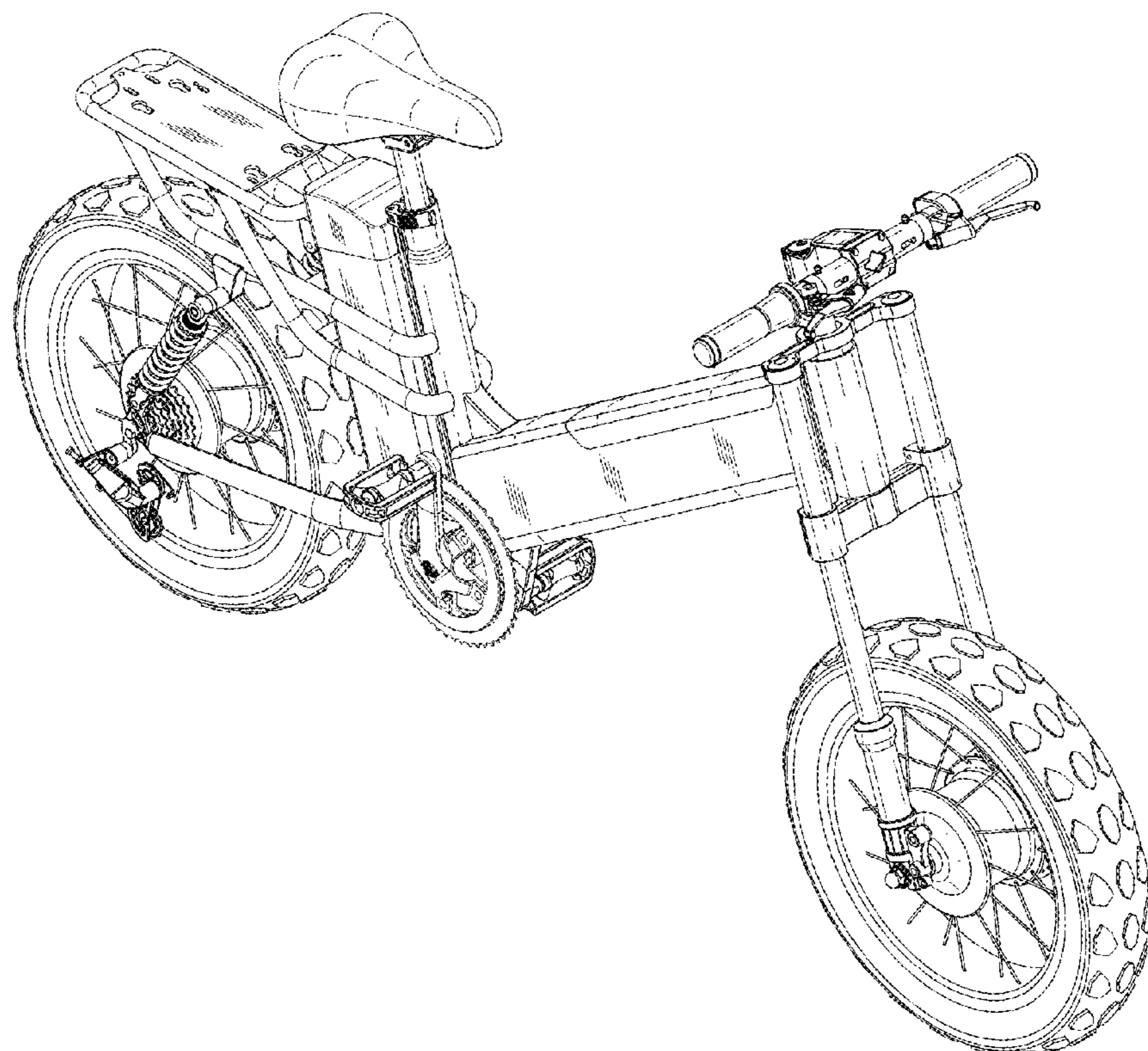
FIG. 1 is a top, front, and right-side perspective view of an electric bicycle showing our new design; FIG. 2 is a rear elevation view thereof; FIG. 3 is a front elevation view thereof; FIG. 4 is a left-side elevation view thereof; FIG. 5 is a right-side elevation view thereof; FIG. 6 is a top plan view thereof; and, FIG. 7 is a bottom plan view thereof.

1 Claim, 7 Drawing Sheets

(56) **References Cited**

U.S. PATENT DOCUMENTS

D294,338	S *	2/1988	Yamada	D12/110
D389,787	S *	1/1998	Zeigle	D12/111
D406,253	S *	3/1999	Yamashita	D12/110
D419,492	S *	1/2000	Egger	D12/111
D430,070	S *	8/2000	Kciuk	D12/111
D516,469	S *	3/2006	Reinke	D12/111



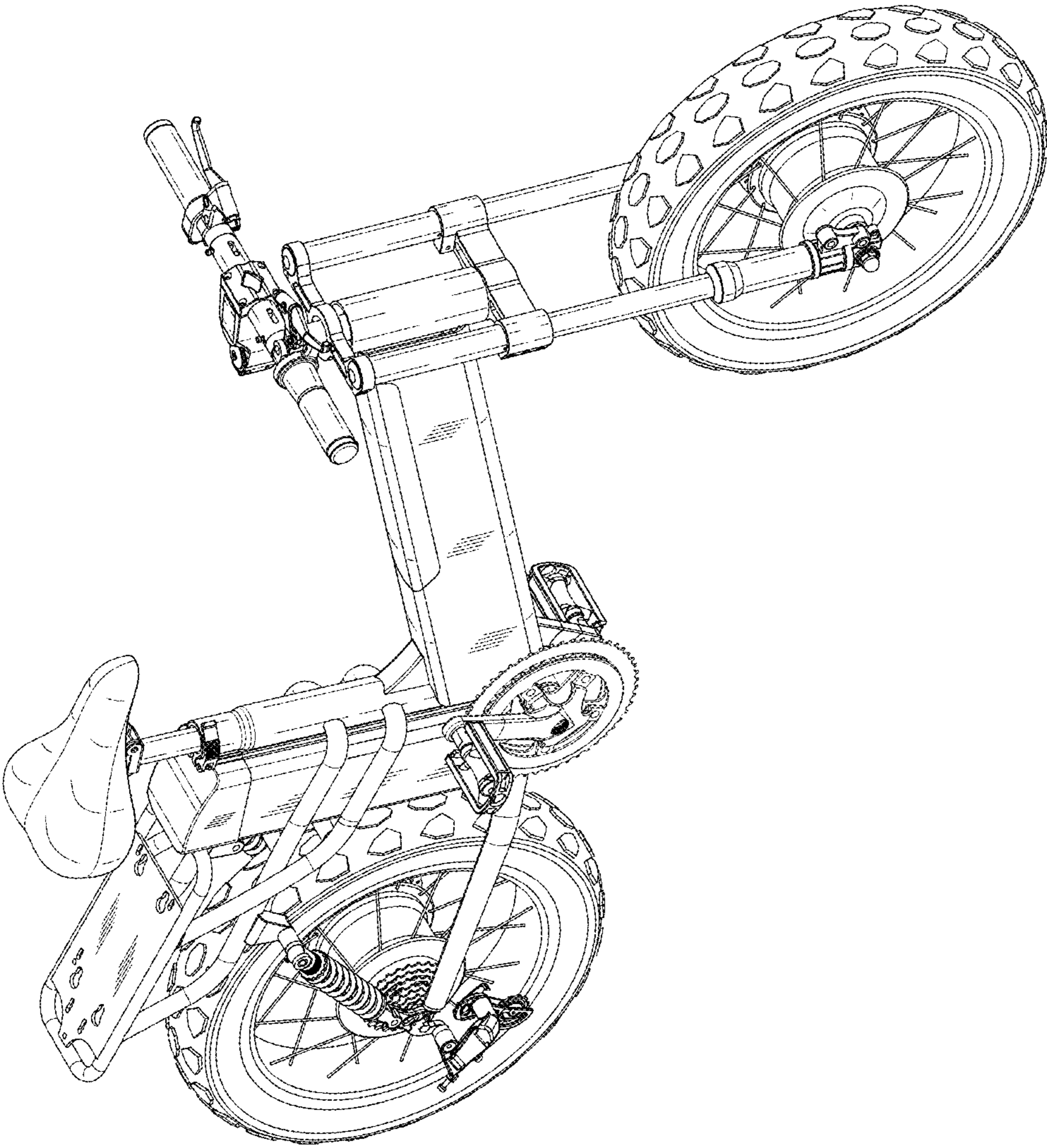


FIG. 1

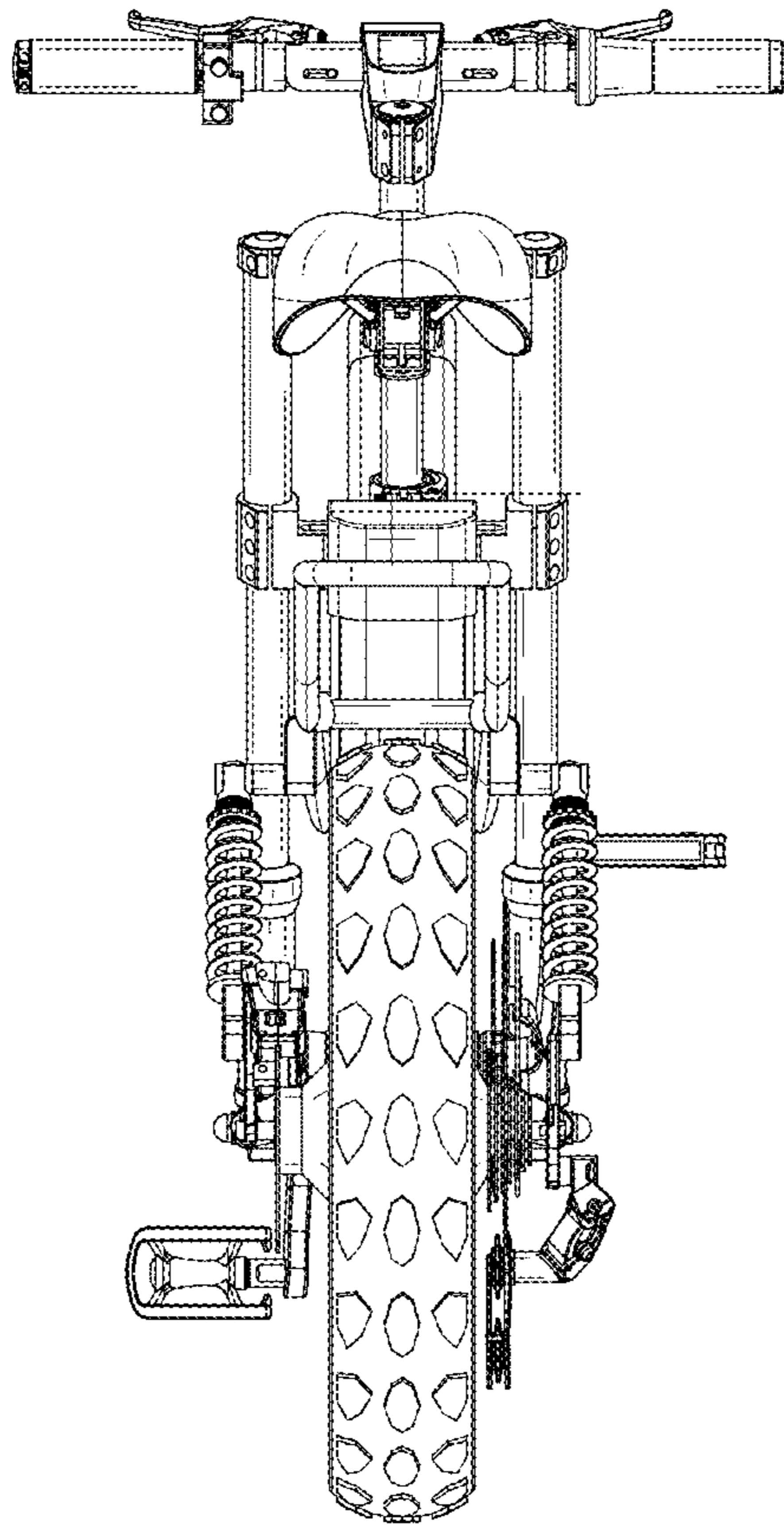


FIG. 2

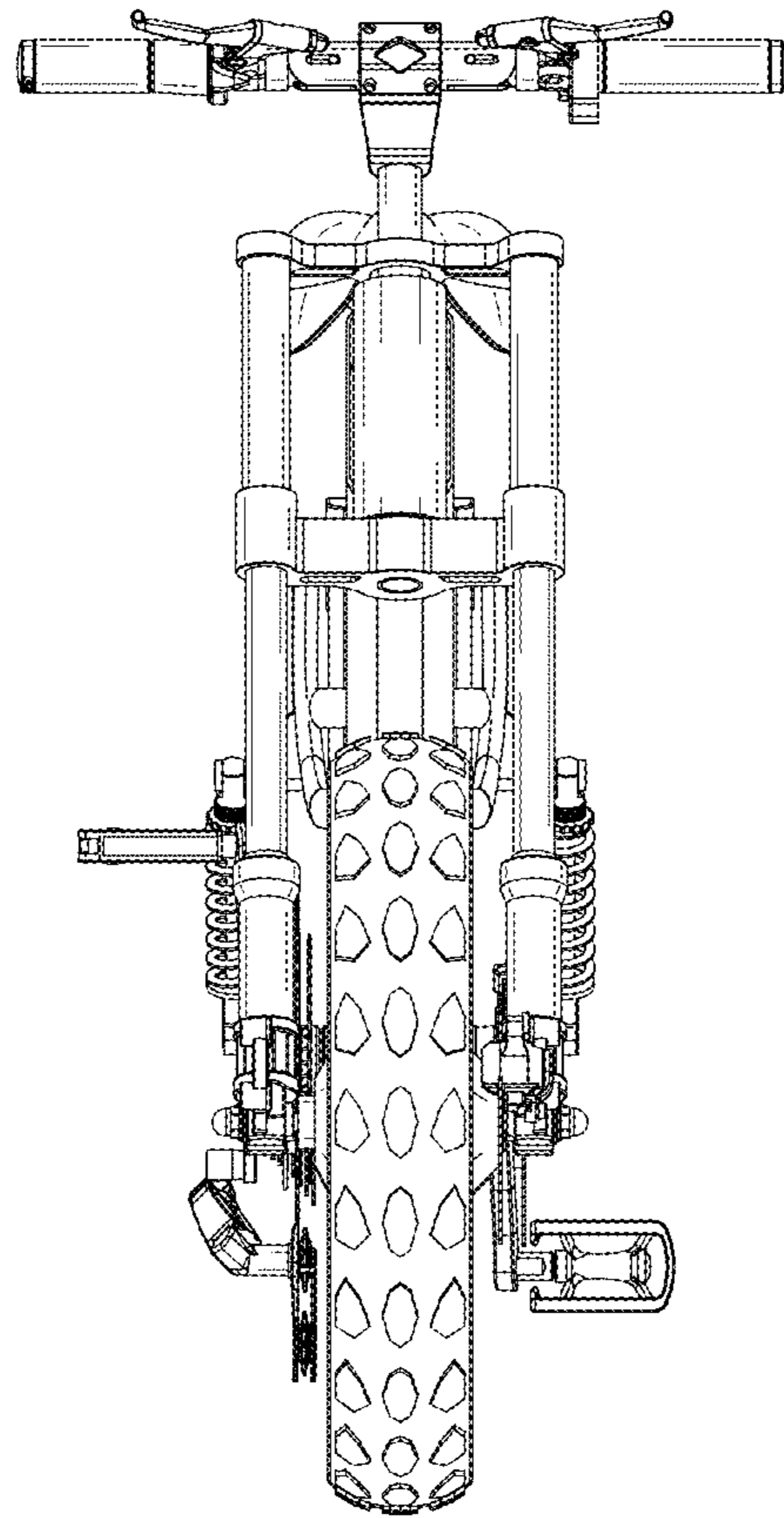


FIG. 3

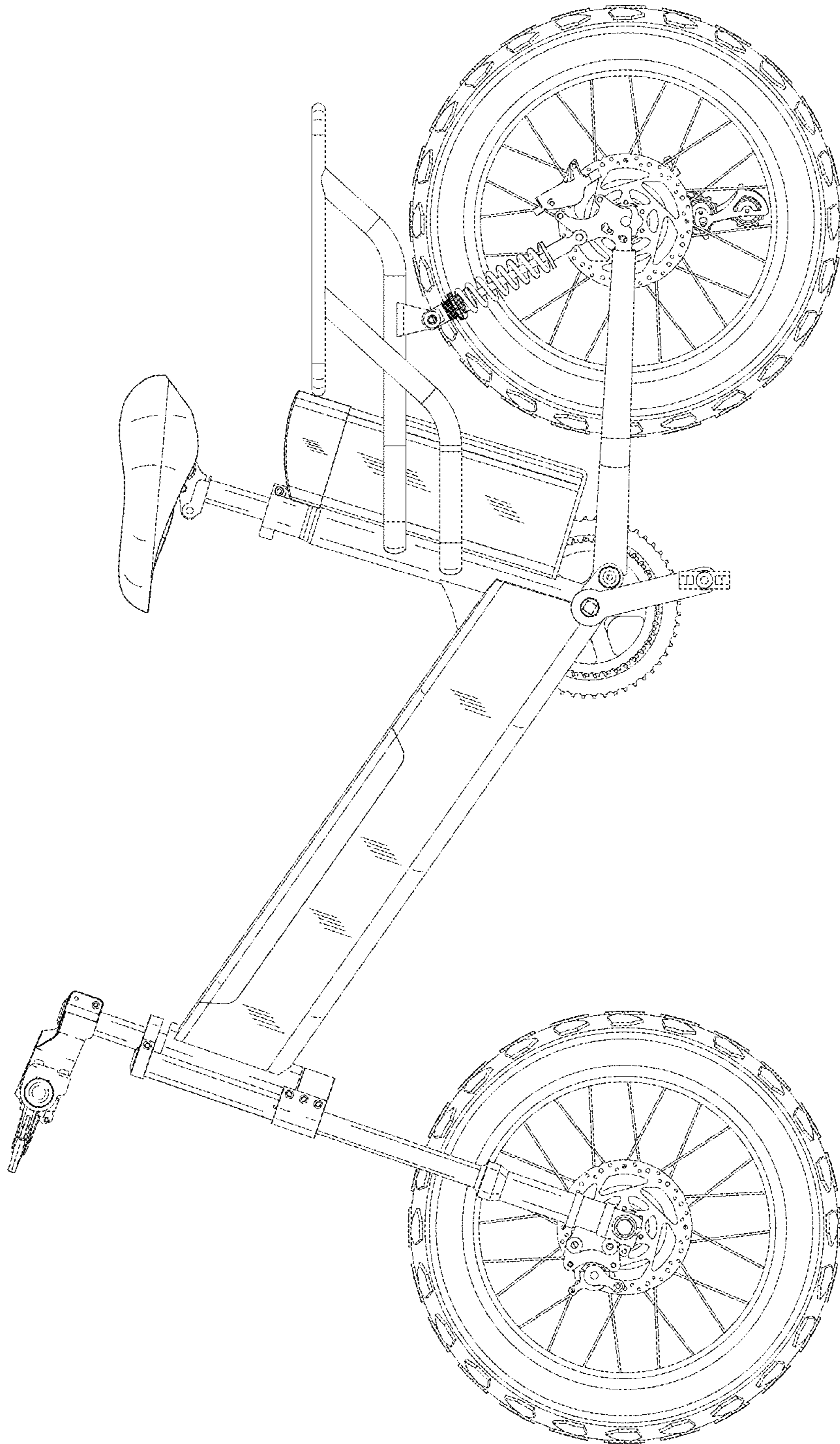


FIG. 4

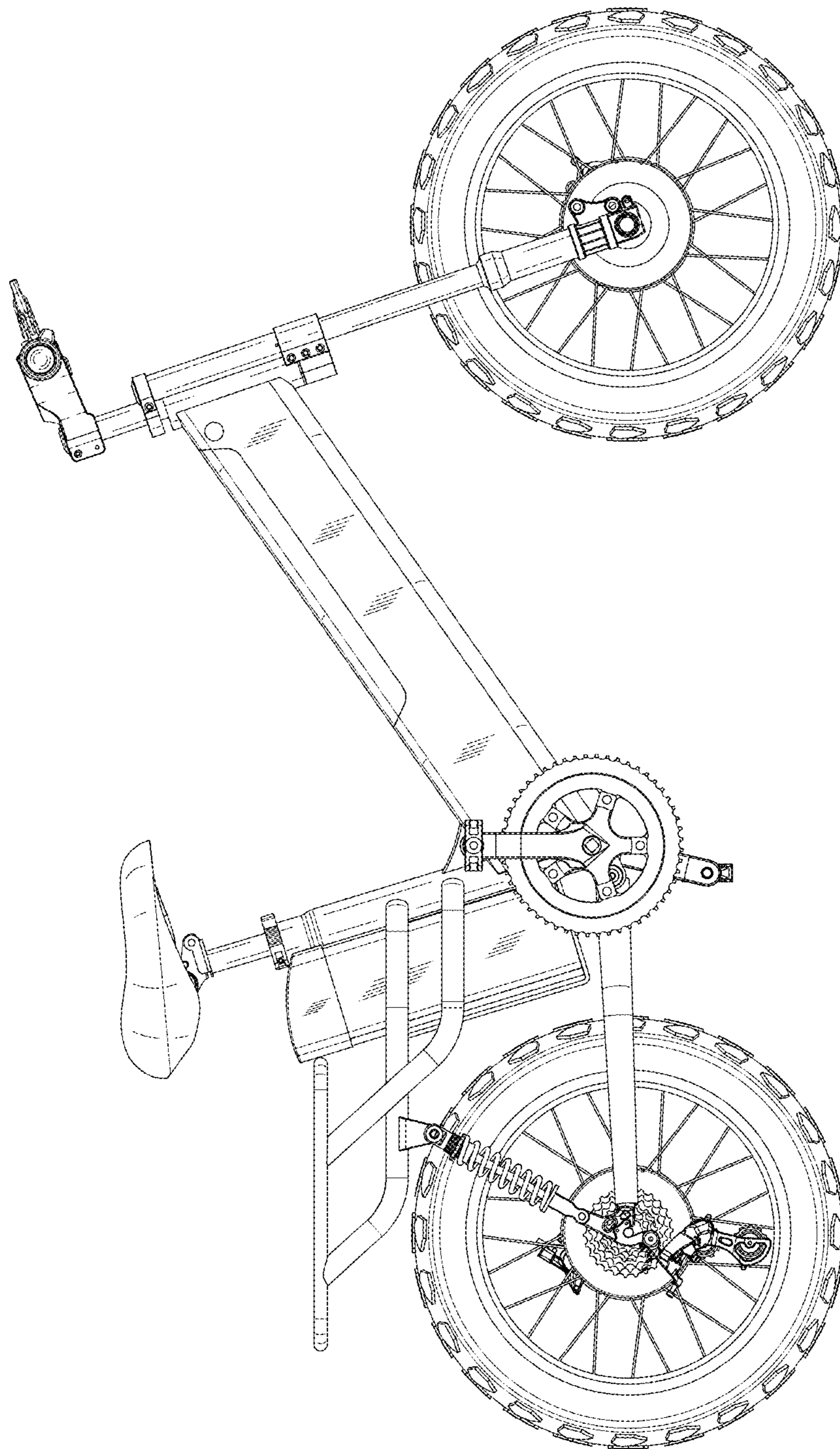


FIG. 5

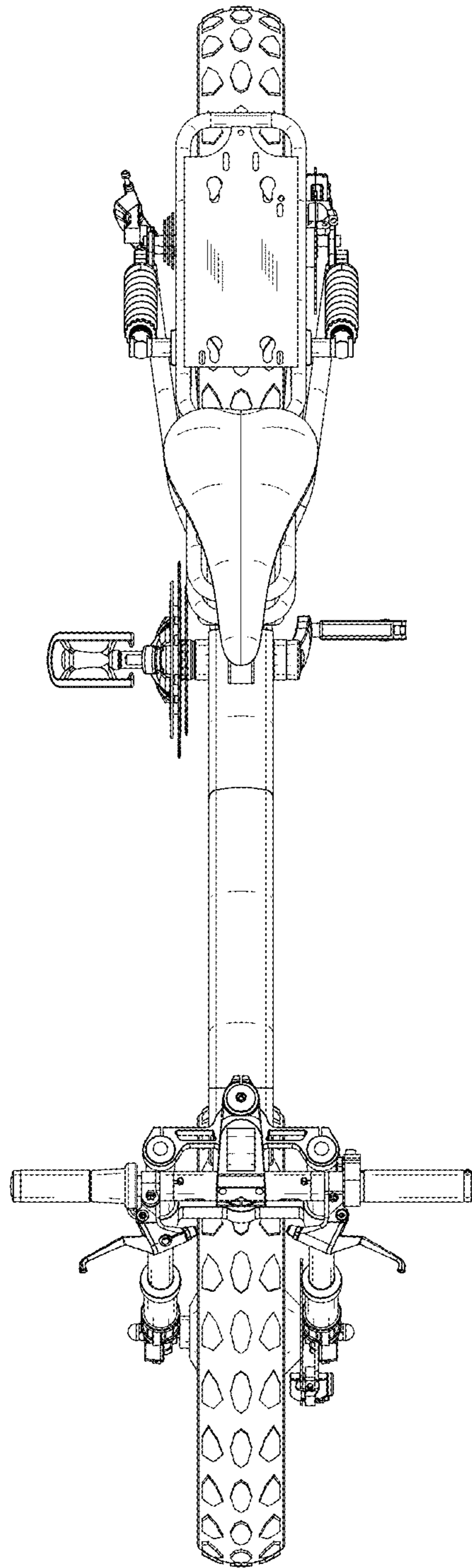


FIG. 6

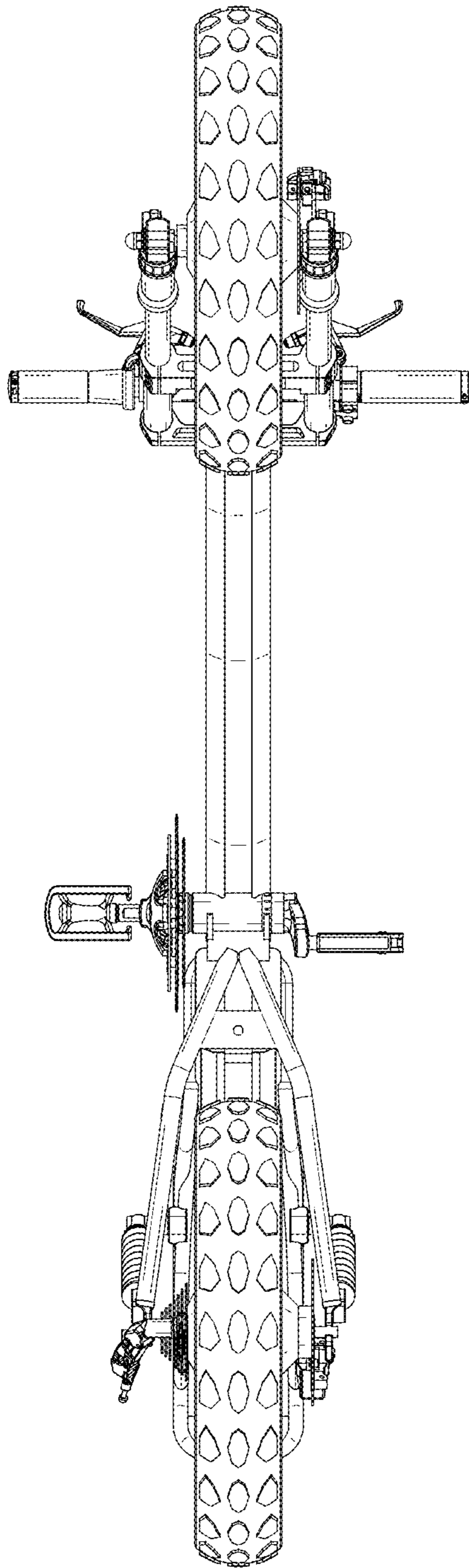


FIG. 7