



US00D903530S

(12) **United States Design Patent**
Choi et al.

(10) **Patent No.:** **US D903,530 S**
(45) **Date of Patent:** **** Dec. 1, 2020**

(54) **RACING KART**

(71) Applicant: **MONOLITH INC.**, Jeju-si (KR)

(72) Inventors: **Ji Woong Choi**, Seoul (KR); **Gyu Hyuk Jung**, Jeju-si (KR); **Na Young Kim**, Jeju-si (KR)

(73) Assignee: **MONOLITH INC.**, Jeju-si (KR)

(**) Term: **15 Years**

(21) Appl. No.: **35/507,515**

(22) Filed: **Apr. 15, 2019**

(80) **Hague Agreement Data**

Int. Filing Date: **Apr. 15, 2019**

Int. Reg. No.: **DM/202381**

Int. Reg. Date: **Apr. 15, 2019**

Int. Reg. Pub. Date: **Oct. 18, 2019**

(51) **LOC (12) Cl.** **12-08**

(52) **U.S. Cl.**
USPC **D12/87**

(58) **Field of Classification Search**
USPC **D12/87**
CPC **F16H 57/021; F21S 43/19**
See application file for complete search history.

(56) **References Cited**

U.S. PATENT DOCUMENTS

D705,128 S * 5/2014 Patterson D12/87
D820,729 S * 6/2018 De Roeck D12/87
10,543,776 B2 * 1/2020 Matsushima F21S 43/19
10,703,198 B2 * 7/2020 Kronsteiner F16H 57/021

* cited by examiner

Primary Examiner — George D. Kirschbaum

(74) *Attorney, Agent, or Firm* — Revolution IP, PLLC

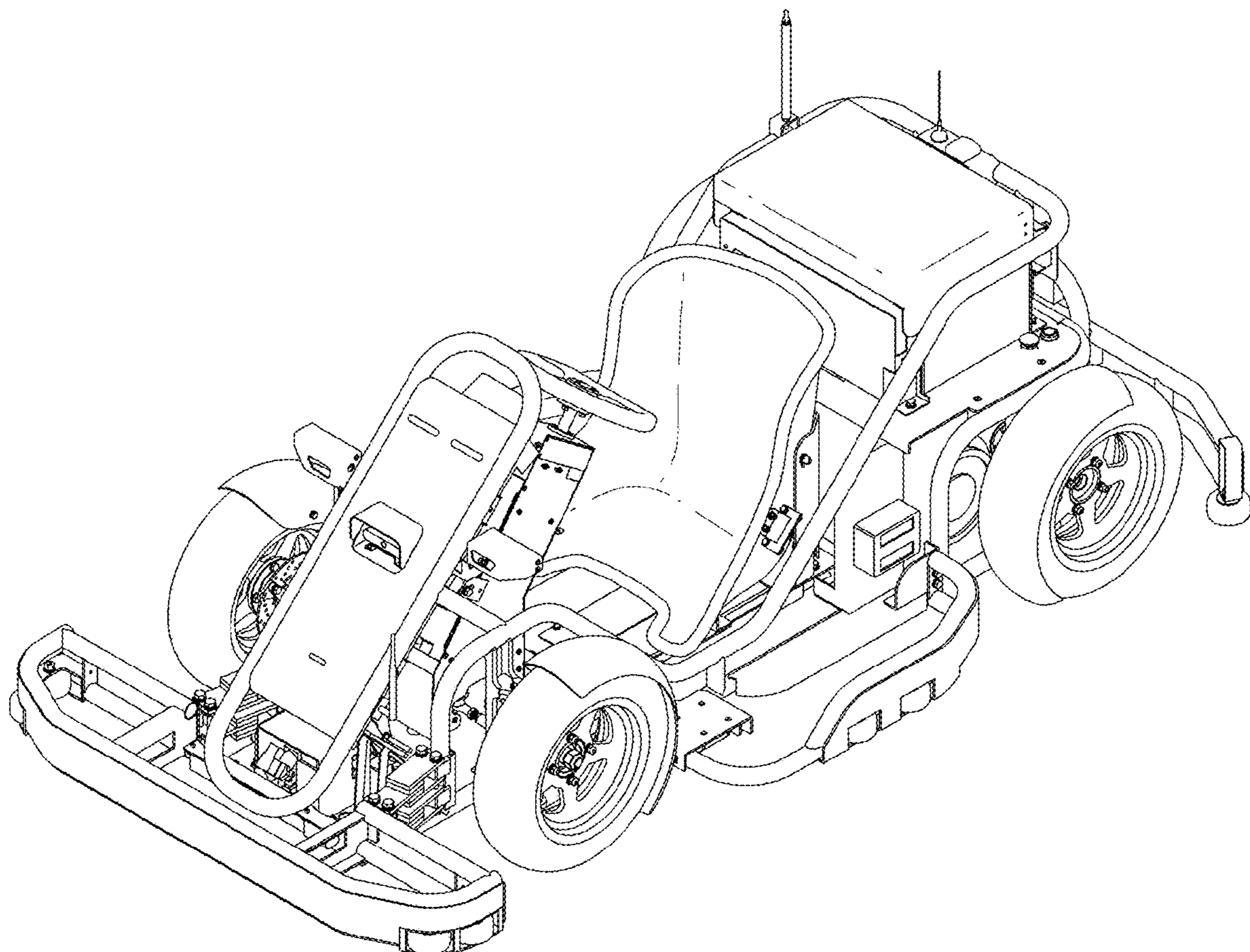
(57) **CLAIM**

The ornamental design for a racing kart, as shown and described.

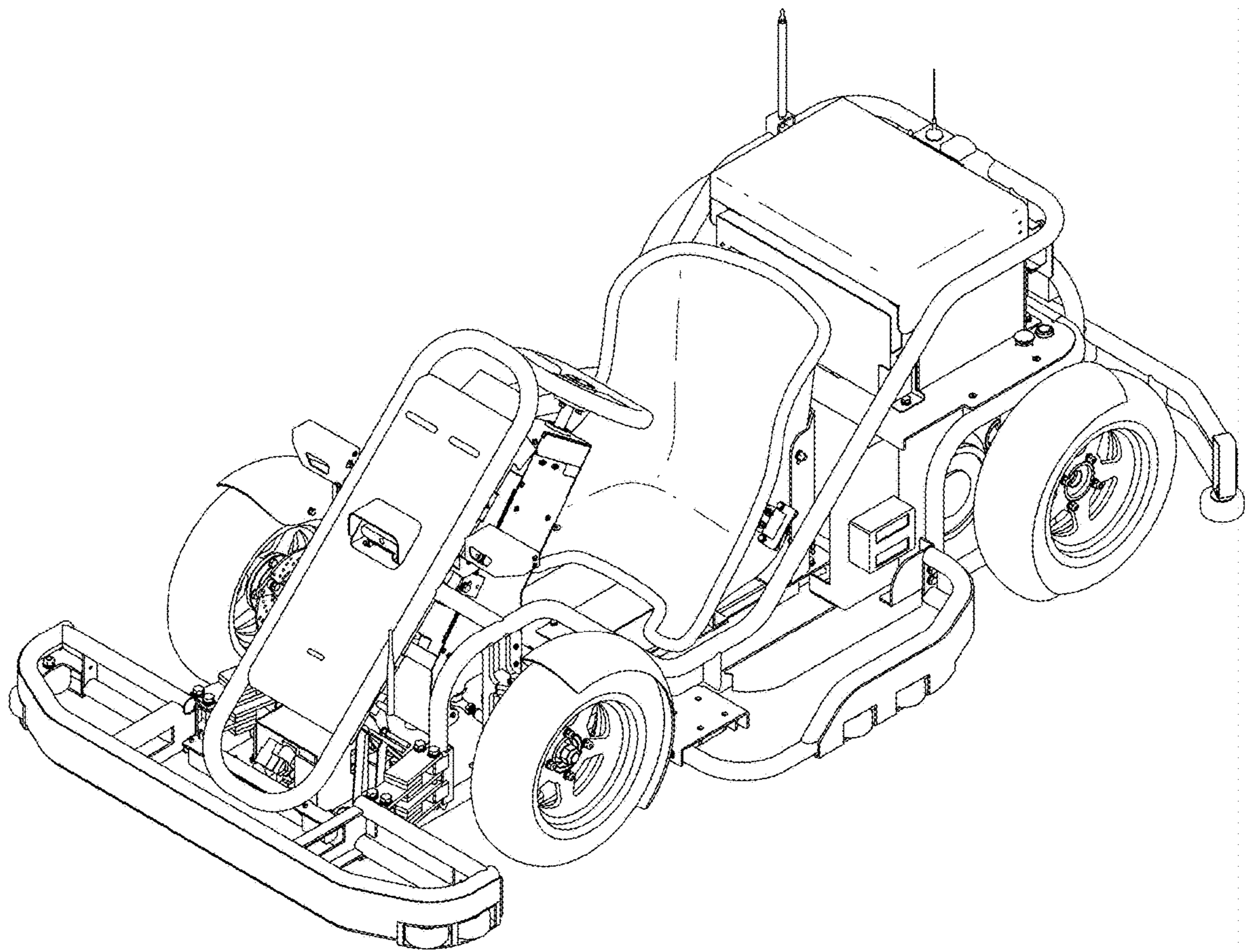
DESCRIPTION

- 1. Racing kart
- 1.1 : Perspective
- 1.2 : Front
- 1.3 : Back
- 1.4 : Top
- 1.5 : Bottom
- 1.6 : Left
- 1.7 : Right

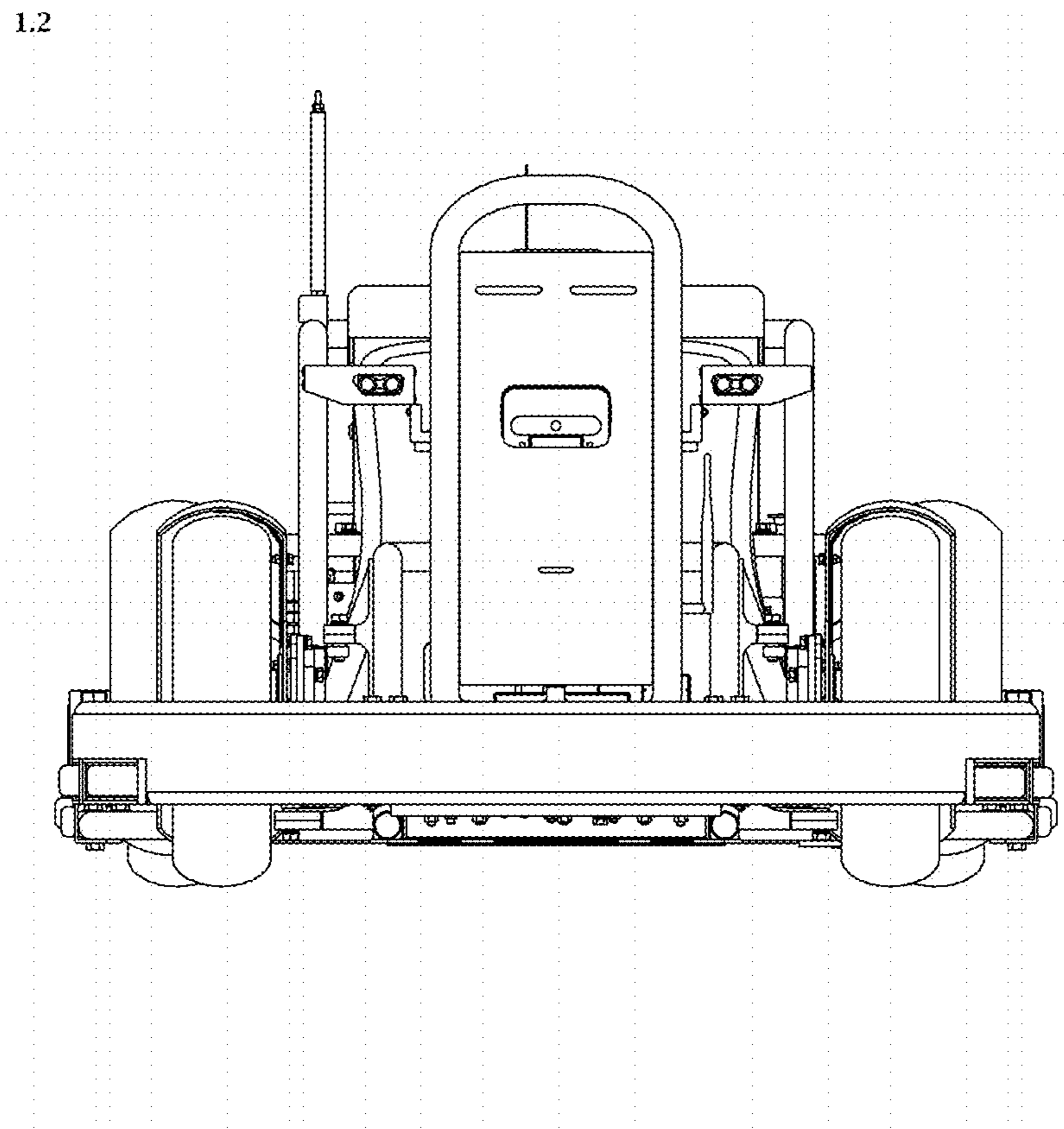
1 Claim, 7 Drawing Sheets



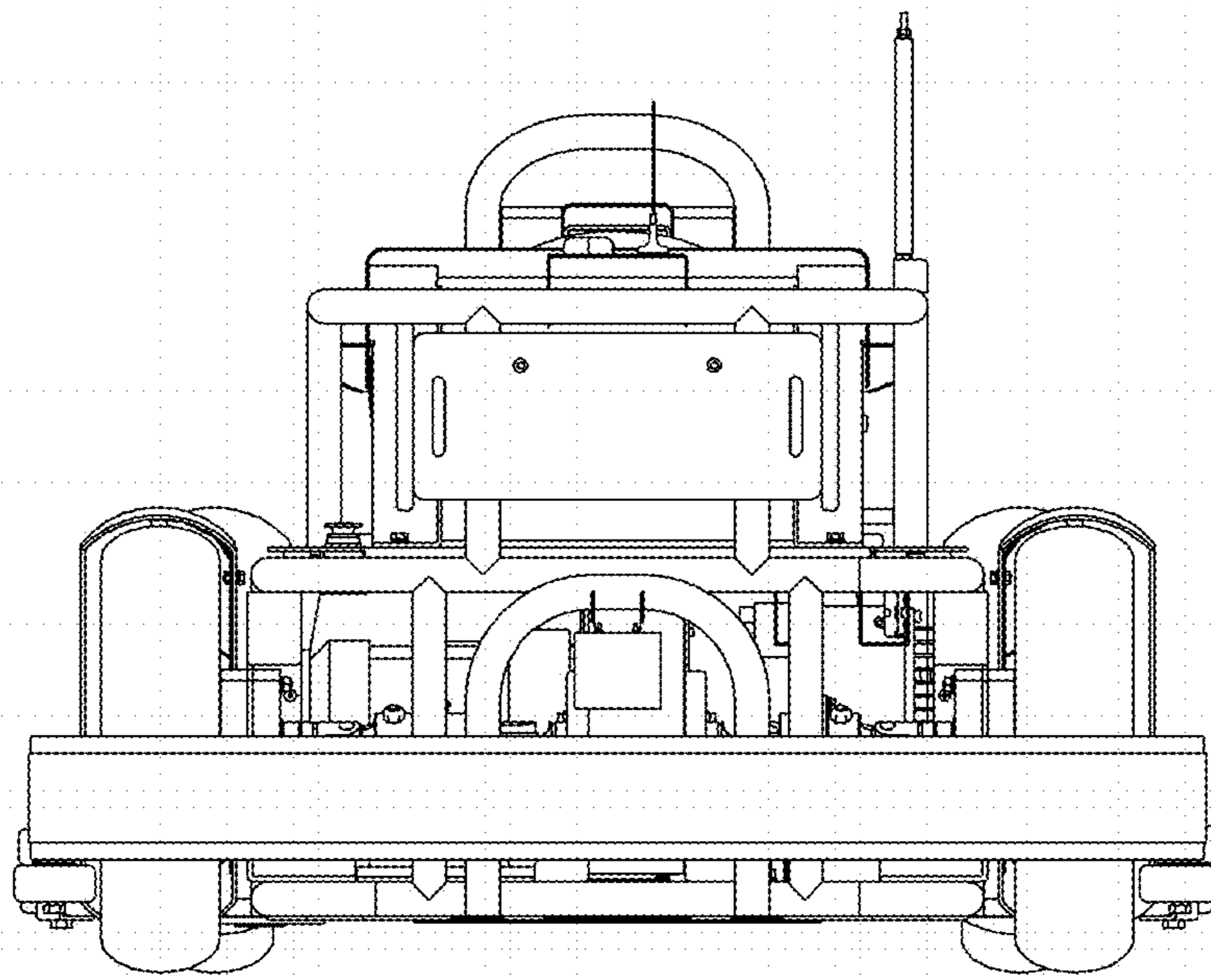
1.1



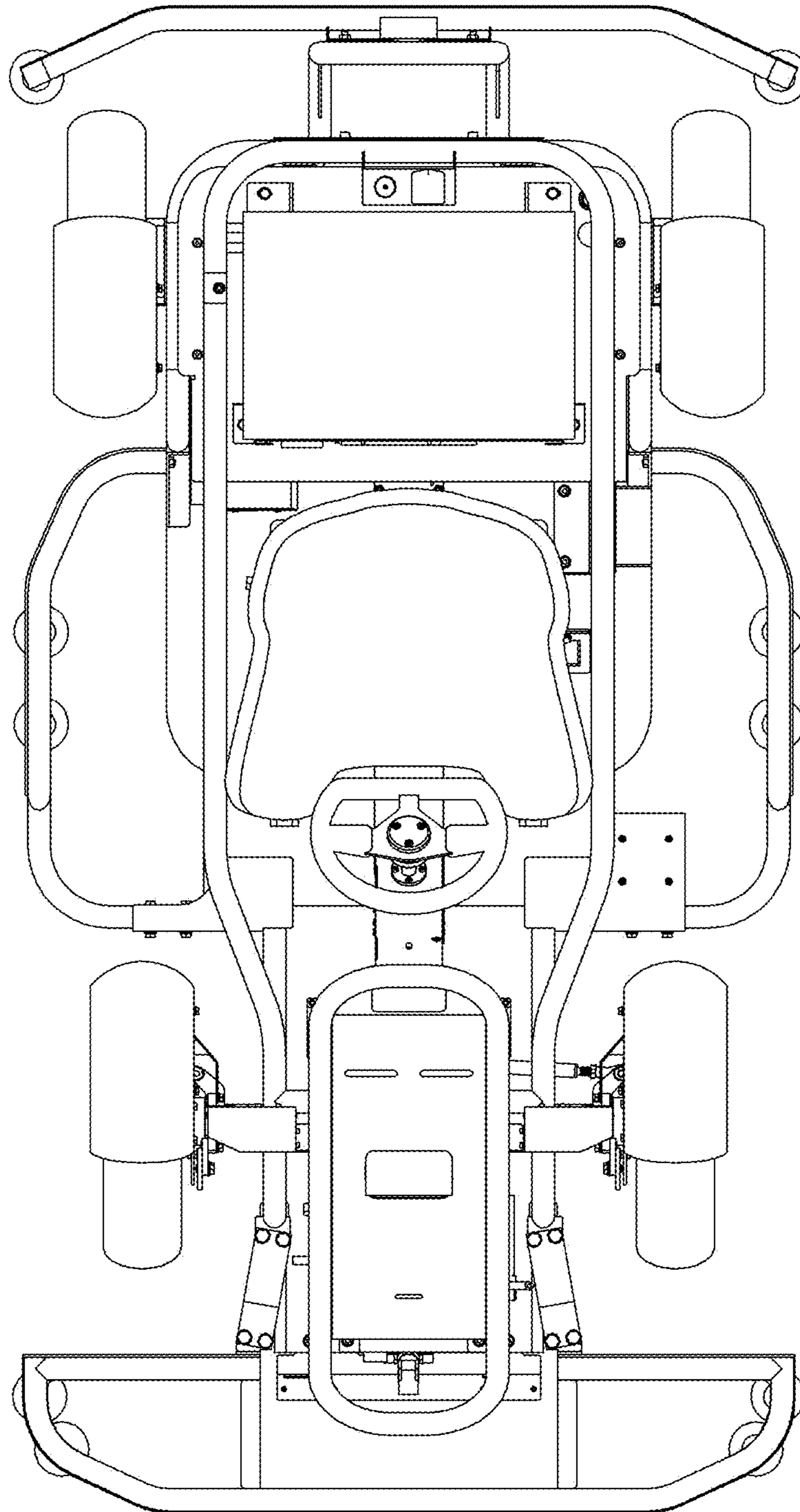
1.2



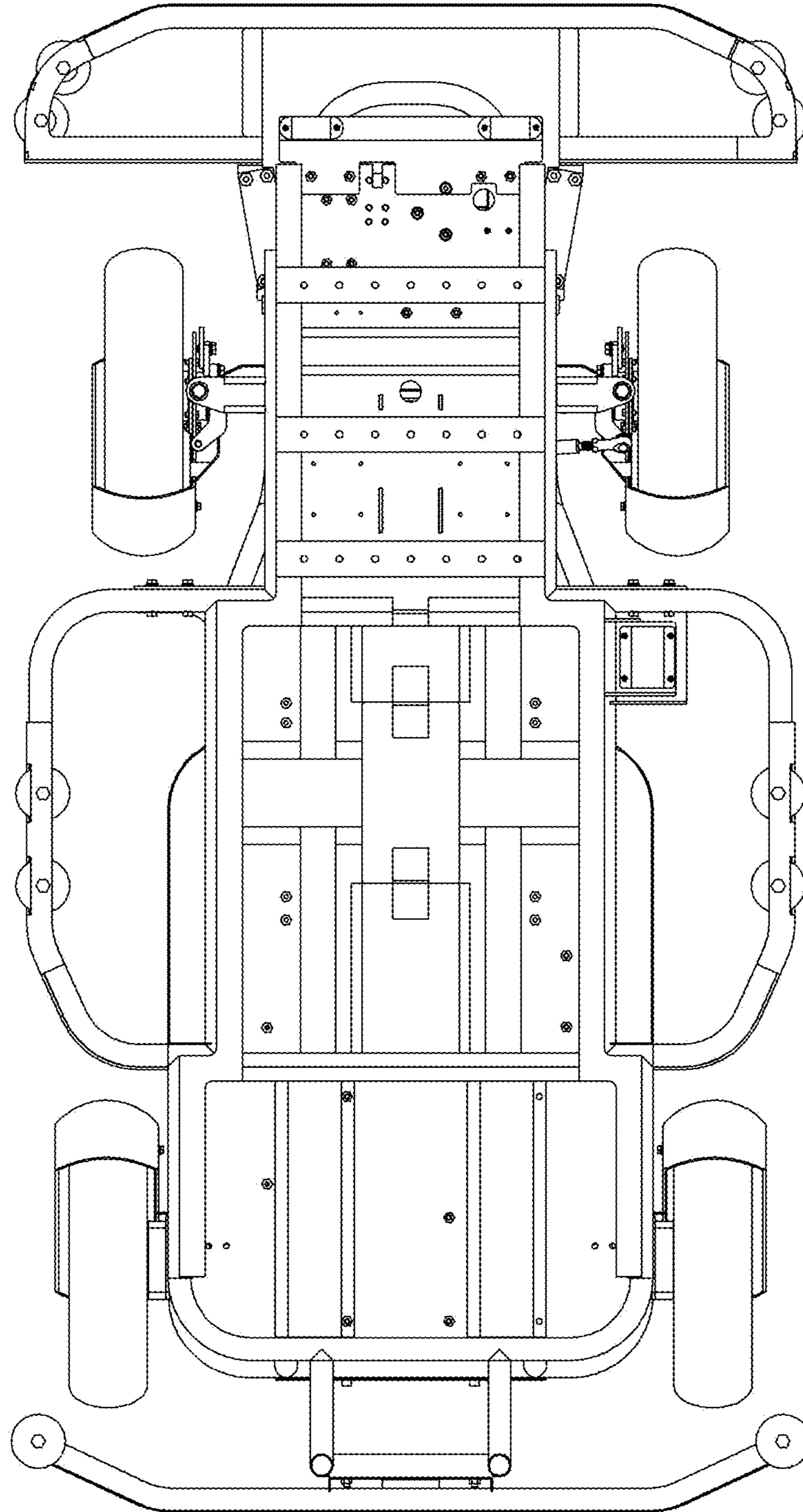
1.3



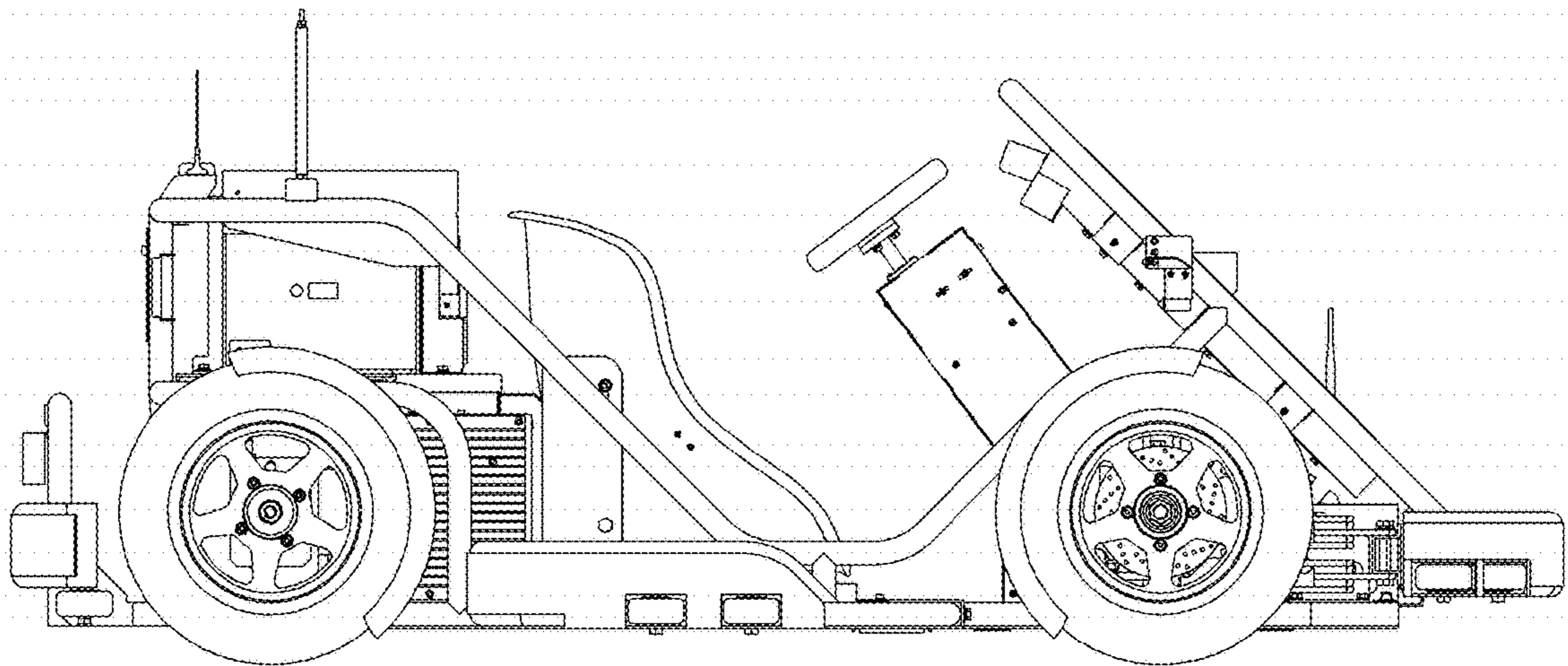
1.4



1.5



1.6



1.7

