



US00D903529S

(12) **United States Design Patent** (10) **Patent No.:** **US D903,529 S**
Baumeier (45) **Date of Patent:** **** Dec. 1, 2020**

(54) **VEHICLE** D465,435 S * 11/2002 Legueu D12/12
D484,438 S * 12/2003 Knoth D12/12
(71) Applicant: **Rheinmetall Lansysteme GmbH,** D622,182 S * 8/2010 Parimi F41H 5/20
Unterlüß (DE) D12/12
D712,786 S * 9/2014 Burkatovskiy D12/12
(72) Inventor: **Andreas Baumeier, Lübeck (DE)** D753,543 S * 4/2016 Yauheni D12/12
D790,397 S * 6/2017 Khoroushi D12/12
(73) Assignee: **Rheinmetall Landsysteme GmbH,** D792,284 S * 7/2017 Arrighi D12/12
Unterlüß (DE) D849,597 S * 5/2019 Kiel D12/12
D860,046 S * 9/2019 Kiel D12/12

(**) Term: **15 Years**

FOREIGN PATENT DOCUMENTS

(21) Appl. No.: **35/506,821**

EM 001845124-0001 * 4/2011

(22) Filed: **Dec. 6, 2018**

* cited by examiner

(80) **Hague Agreement Data**

Int. Filing Date: **Dec. 6, 2018**
Int. Reg. No.: **DM/201088**
Int. Reg. Date: **Dec. 6, 2018**
Int. Reg. Pub. Date: **Jun. 7, 2019**

Primary Examiner — George D. Kirschbaum
(74) *Attorney, Agent, or Firm* — Shackelford, Bowen,
McKinley & Norton, LLP

(30) **Foreign Application Priority Data**

Jun. 8, 2018 (DE) 40 2018 100 560

(51) **LOC (12) Cl.** **12-13**

(52) **U.S. Cl.**
USPC **D12/12**

(58) **Field of Classification Search**
USPC D12/12, 401, 404
CPC F41H 5/20
See application file for complete search history.

(57) **CLAIM**

The ornamental design for a vehicle, as shown.

(56) **References Cited**

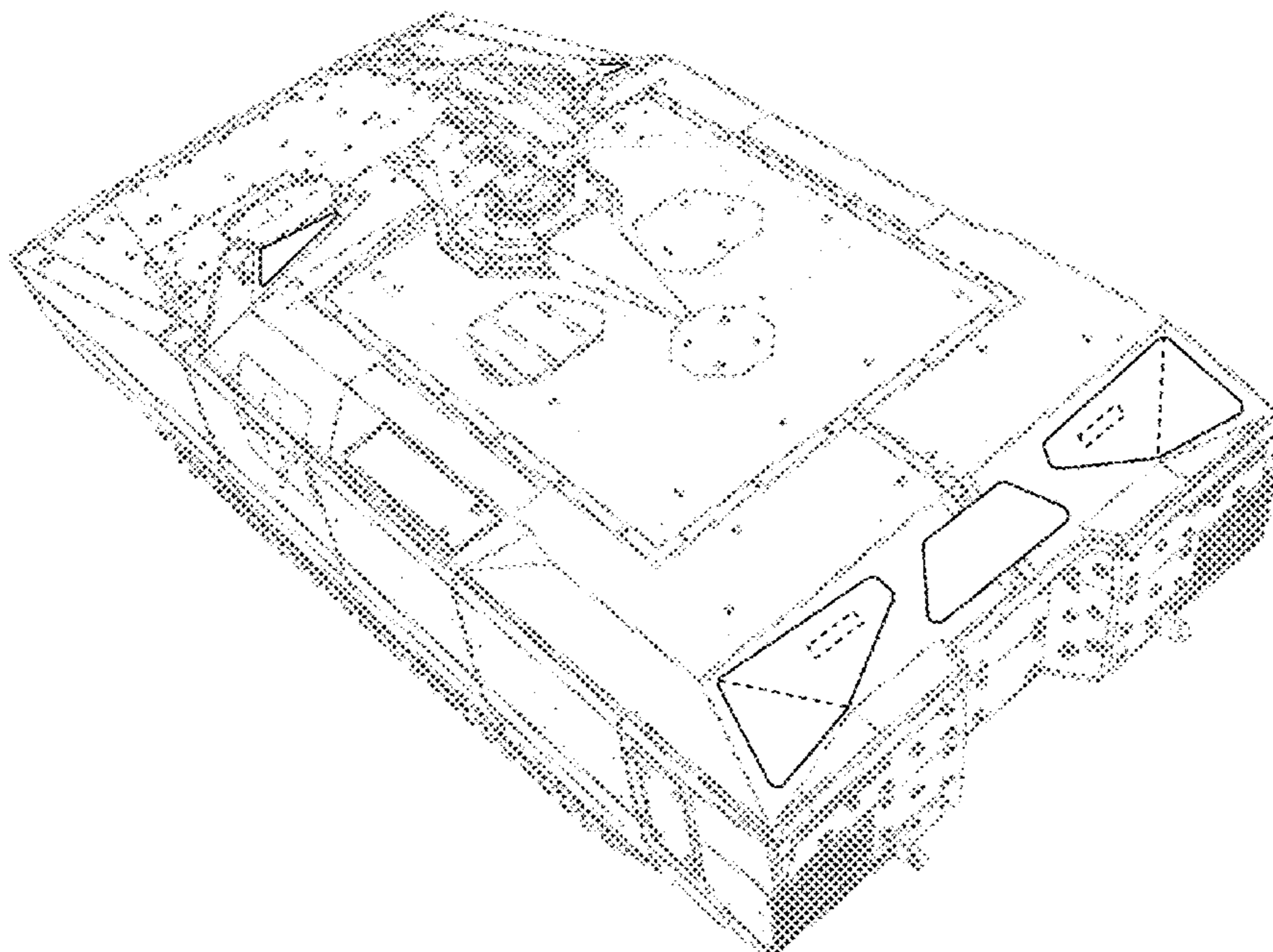
U.S. PATENT DOCUMENTS

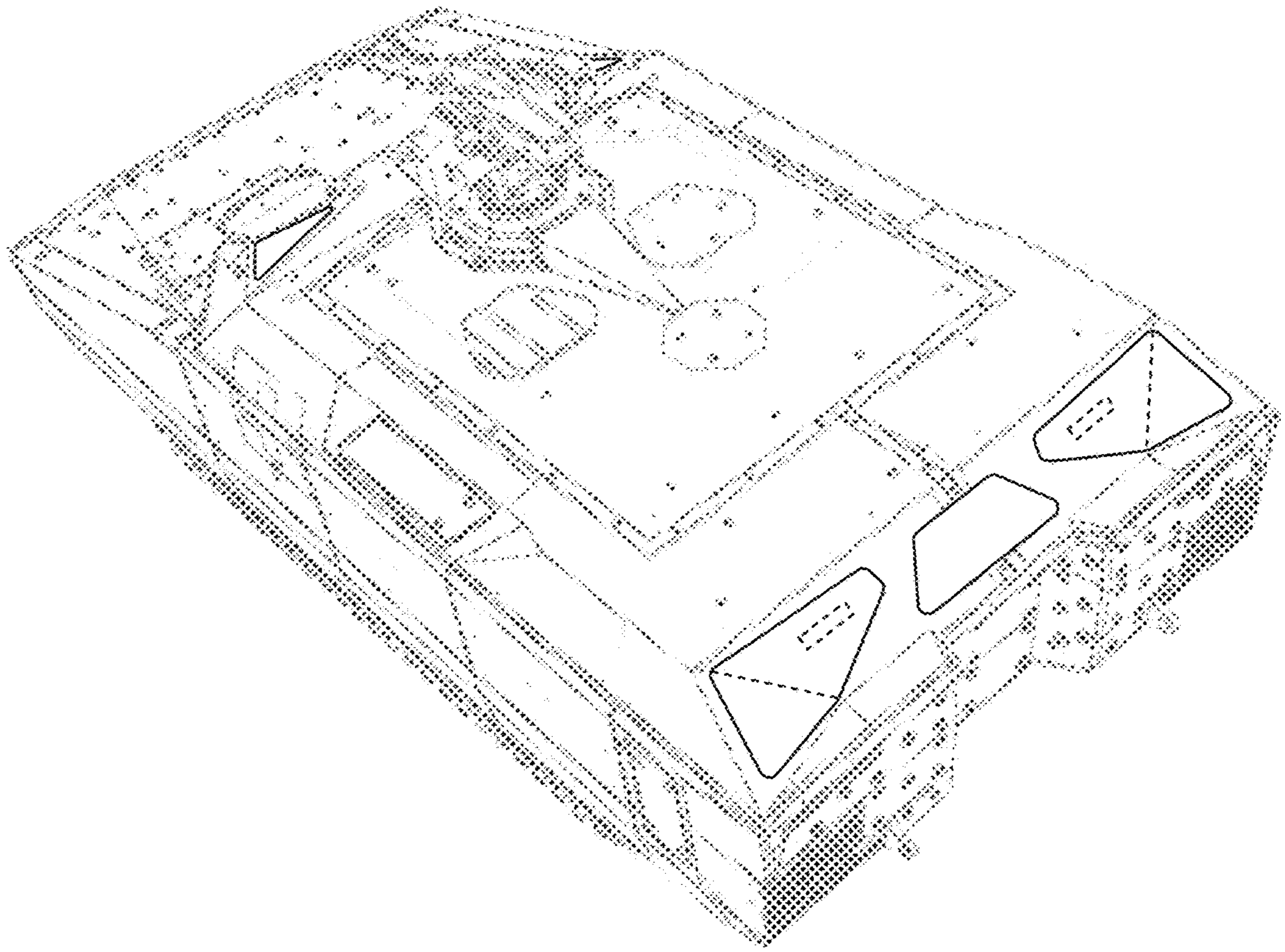
D253,815 S * 1/1980 Benniss D12/12
D308,187 S * 5/1990 Ottevaere D12/12

DESCRIPTION

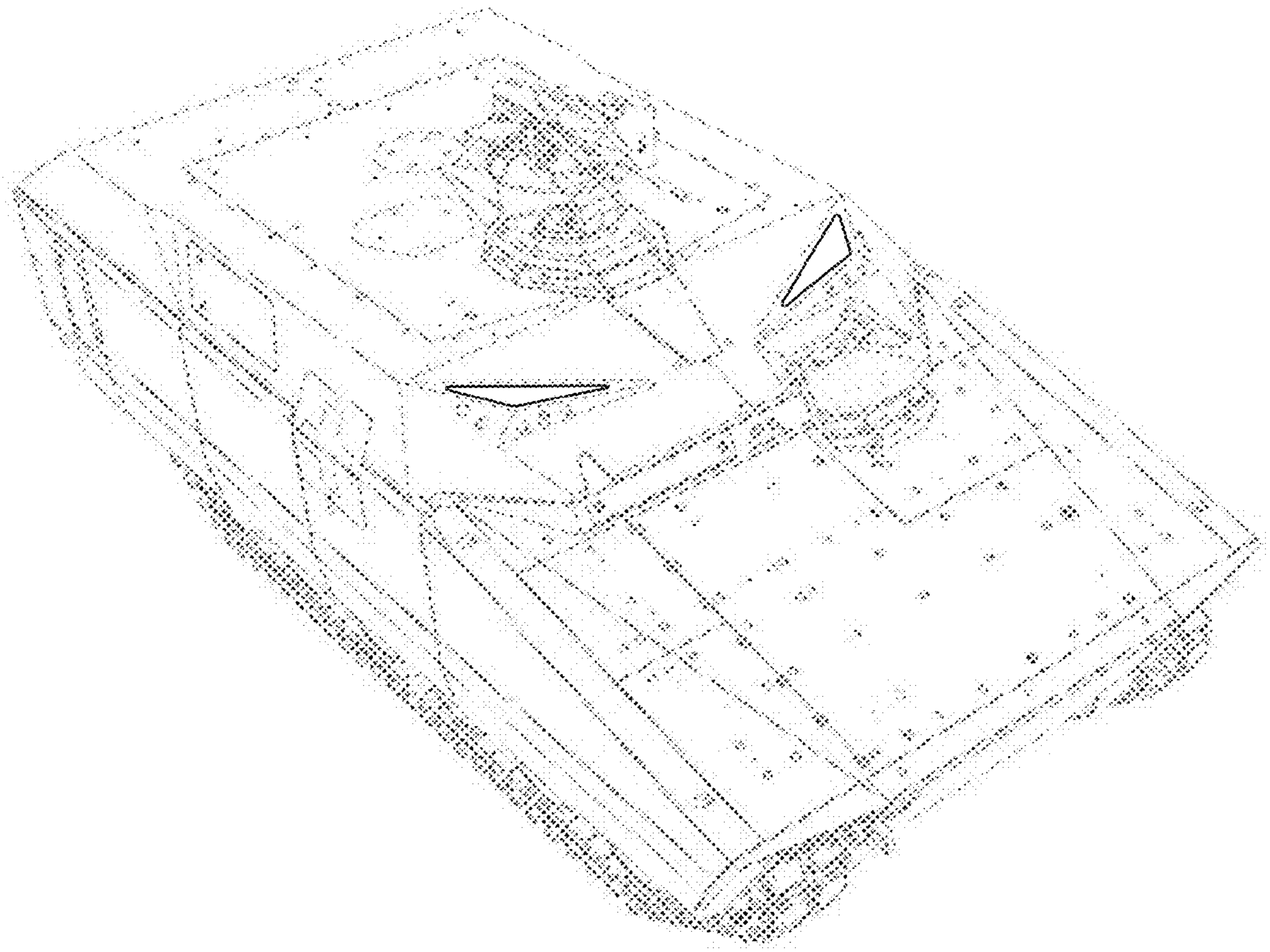
1. Vehicle
1.1 is a rear perspective view of a vehicle in accordance with the design.
1.2 is a front perspective view thereof.
1.3 is front view thereof.
The broken line showing is included for the purpose of illustrating portions of the “article” and forms no part of the claimed design.

1 Claim, 3 Drawing Sheets

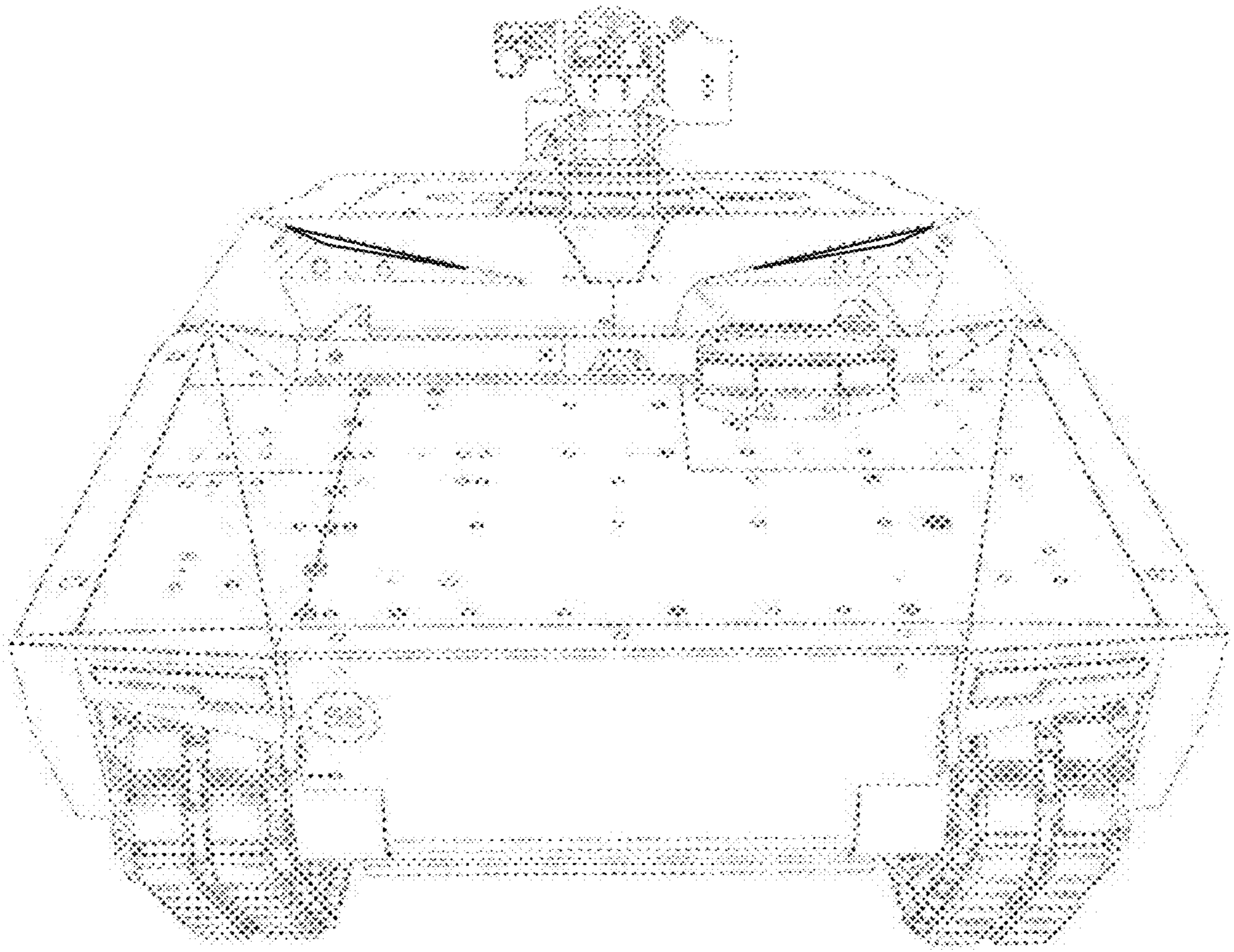




1.1



1.2



1.3

UNITED STATES PATENT AND TRADEMARK OFFICE
CERTIFICATE OF CORRECTION

PATENT NO. : D903,529 S
APPLICATION NO. : 35/506821
DATED : December 1, 2020
INVENTOR(S) : Andreas Baumeier

Page 1 of 1

It is certified that error appears in the above-identified patent and that said Letters Patent is hereby corrected as shown below:

On the Title Page

Item (71) Replace "Rheinmetall Lansysteme GmbH" with
-- Rheinmetall Landsysteme GmbH --

Signed and Sealed this
Thirtieth Day of March, 2021



Drew Hirshfeld
*Performing the Functions and Duties of the
Under Secretary of Commerce for Intellectual Property and
Director of the United States Patent and Trademark Office*