



US00D903528S

(12) **United States Design Patent** (10) **Patent No.:** **US D903,528 S**
Gao (45) **Date of Patent:** **** Dec. 1, 2020**

(54) **BUCKLE**
(71) Applicant: **Foshan Torun Precision Hardware Technology Co., Ltd., Foshan (CN)**
(72) Inventor: **Maoyang Gao, Foshan (CN)**
(73) Assignee: **Foshan Tuorun Precision Hardware Technology Co., Ltd.**

D357,435 S * 4/1995 Cook D11/200
D507,509 S * 7/2005 Hou D11/218
D714,185 S * 9/2014 Kelleghan D11/218
D716,690 S * 11/2014 Iannello D11/216
D731,919 S * 6/2015 Kung D11/218
D738,255 S * 9/2015 Hortnagl D11/218
D816,545 S * 5/2018 Kelleghan D11/218
2014/0298630 A1 * 10/2014 Hortnagl A44B 11/2553
24/697.2

(**) Term: **15 Years**

FOREIGN PATENT DOCUMENTS

(21) Appl. No.: **29/675,409**

CN 201430259432 * 7/2014
CN 201730269624 * 6/2017

(22) Filed: **Dec. 31, 2018**

* cited by examiner

(51) **LOC (12) Cl.** **02-07**

Primary Examiner — Sheryl Lane

(52) **U.S. Cl.**
USPC **D11/218**

Assistant Examiner — Samantha N Wood

(58) **Field of Classification Search**
USPC D11/200, 201, 208, 212, 215, 216, 218,
D11/219, 220, 221, 86, 87, 93, 94;
D8/330, 399, 383, 382, 499, 349, 384,
D8/388; D2/627, 624
CPC A44C 23/00; A44C 5/18; A44C 5/185;
A44C 5/2066; A44C 5/2042; A44C
5/2057; A44C 5/2071; A44D 2200/10;
A44D 2201/02; A44D 2201/10; A44D
2201/12; A44D 2201/14; A44D 2201/16;
A44D 2201/30; A44D 2201/32; A44D
2201/34; A44D 2201/36; A44B 11/00;
A44B 11/25; A44B 11/2553; A44B
11/2549; A44B 11/04

(57) **CLAIM**

The ornamental design for a buckle, as shown and described.

See application file for complete search history.

DESCRIPTION

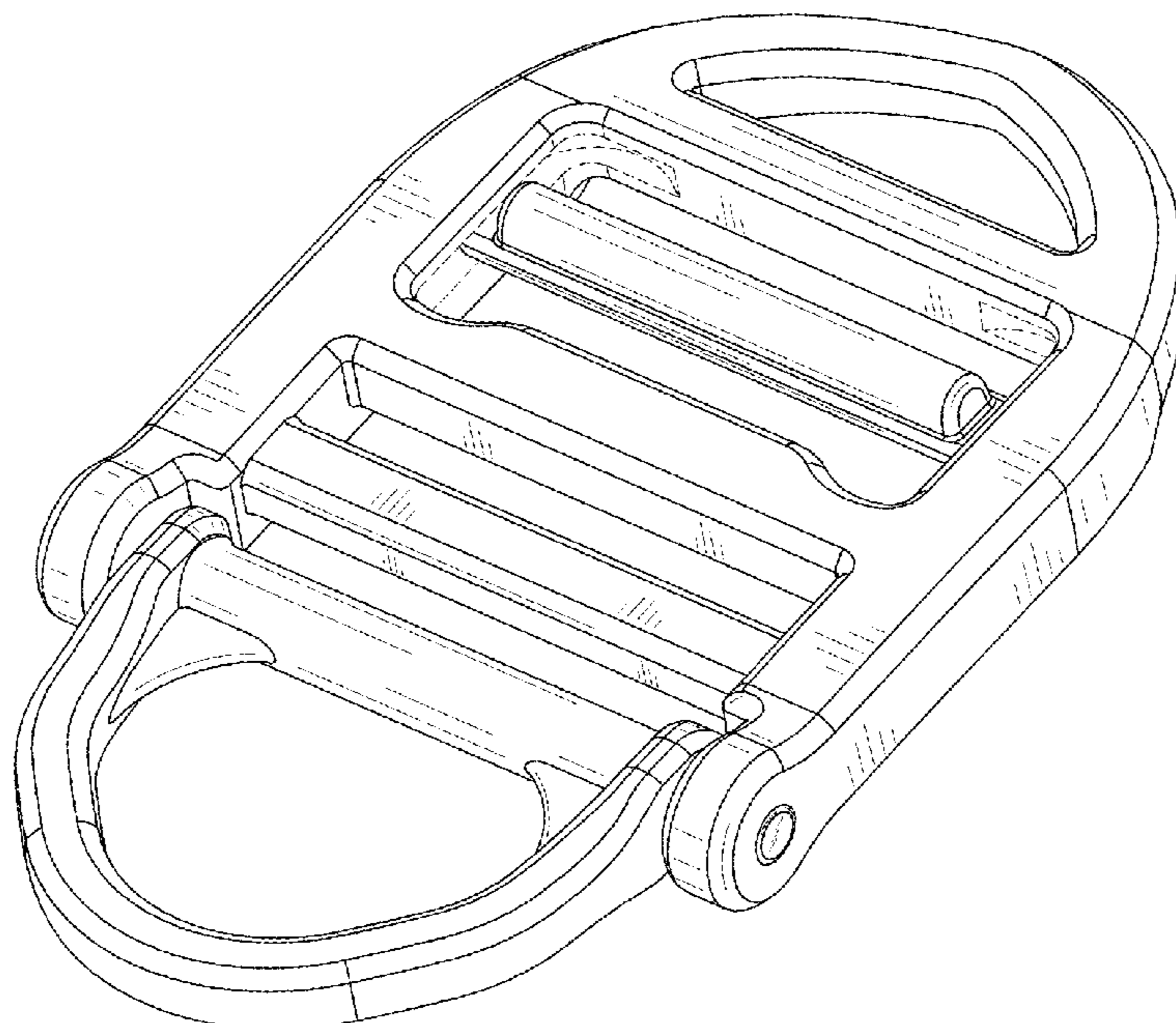
FIG. 1 is a front view of the buckle showing my new design;
FIG. 2 is a back view thereof;
FIG. 3 is a left side view thereof;
FIG. 4 is a right side view thereof;
FIG. 5 is a top view thereof;
FIG. 6 is a bottom view thereof;
FIG. 7 is a perspective view thereof; and,
FIG. 8 is another perspective view thereof.
The broken lines are included for the purpose of illustrating
portions of the buckle and forms no part of the claimed
design.

(56) **References Cited**

U.S. PATENT DOCUMENTS

D124,604 S * 1/1941 Goodwin D11/216
D347,601 S * 6/1994 Anscher D11/218

1 Claim, 7 Drawing Sheets



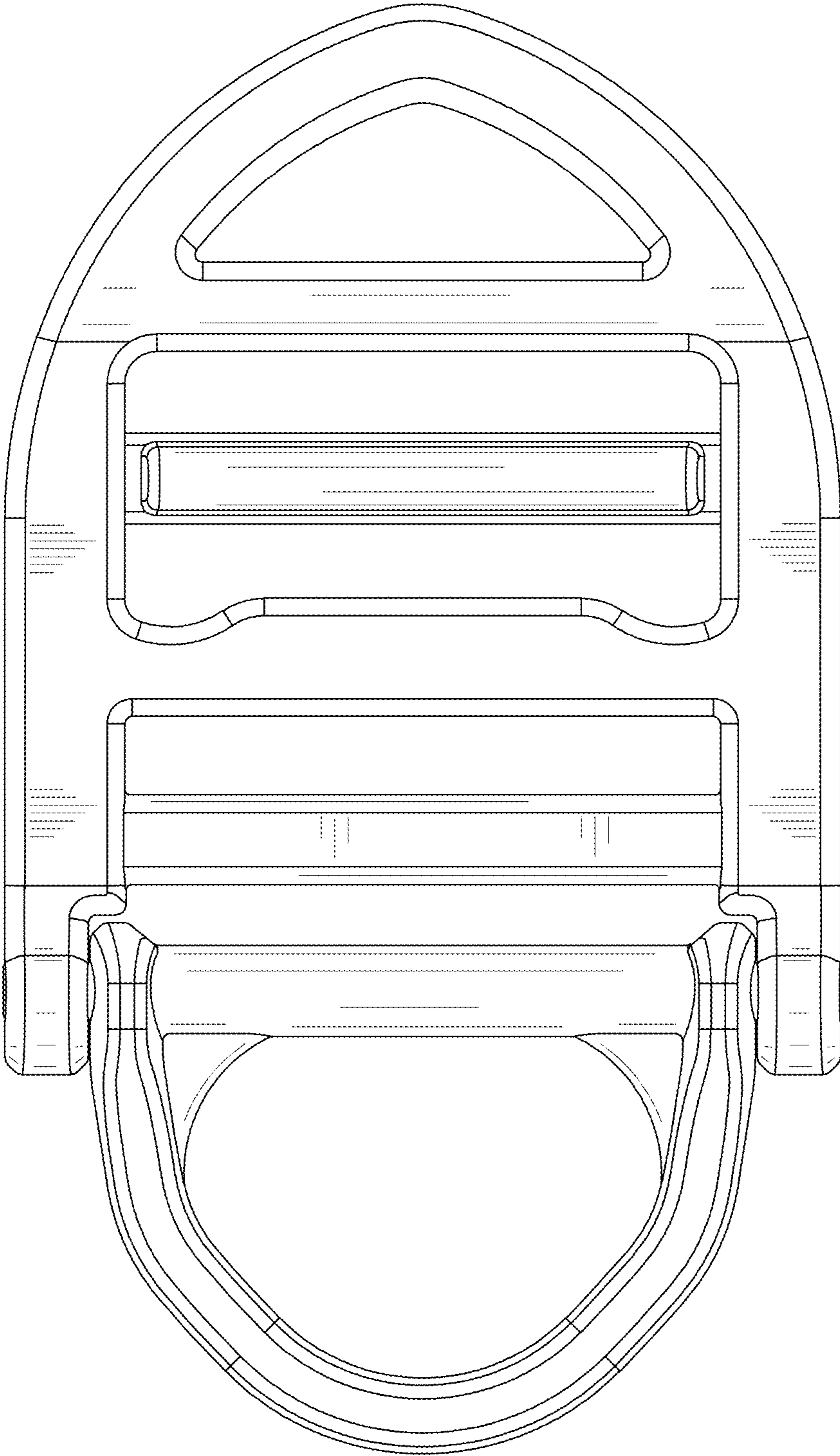


FIG.1

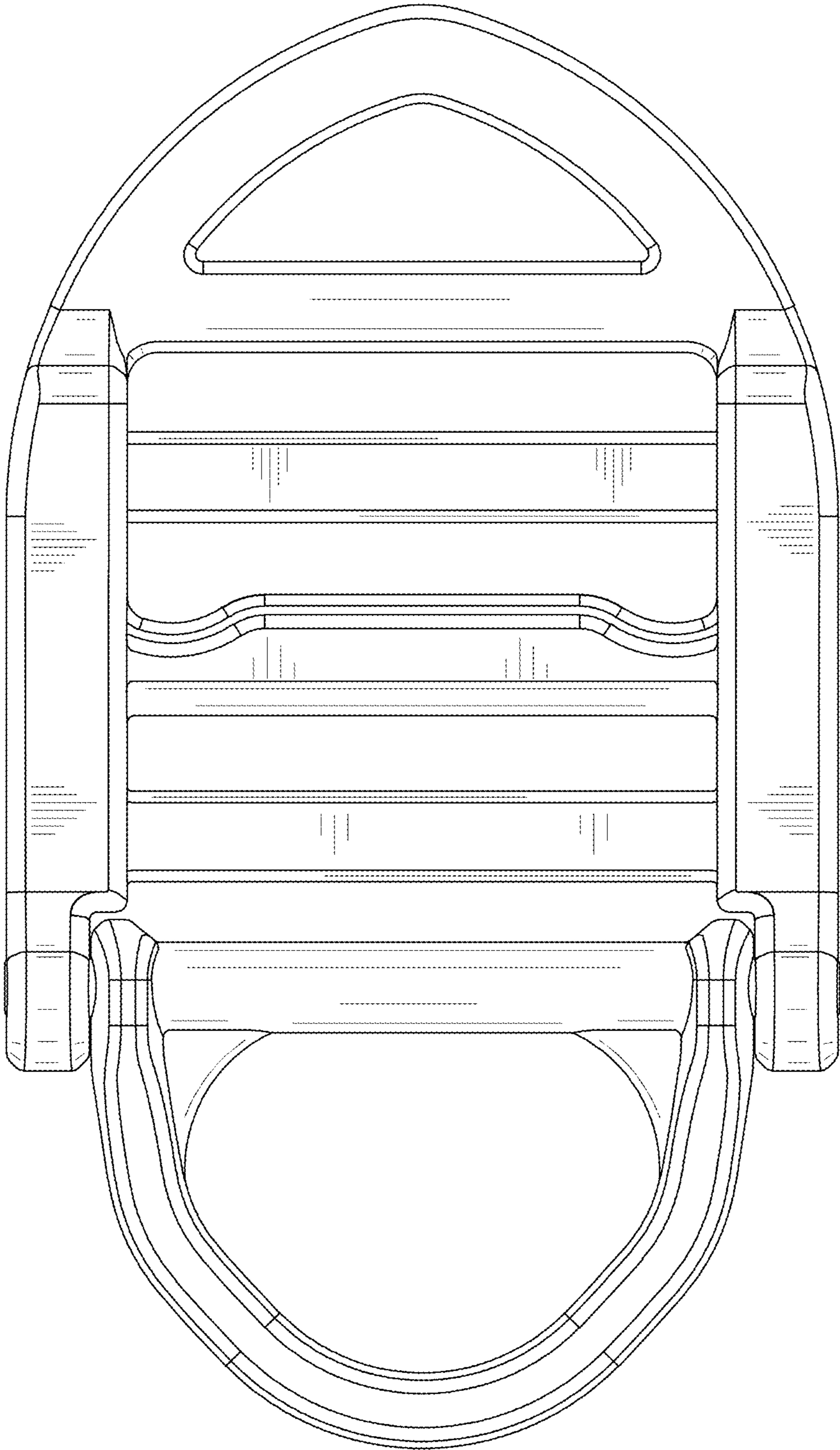


FIG.2

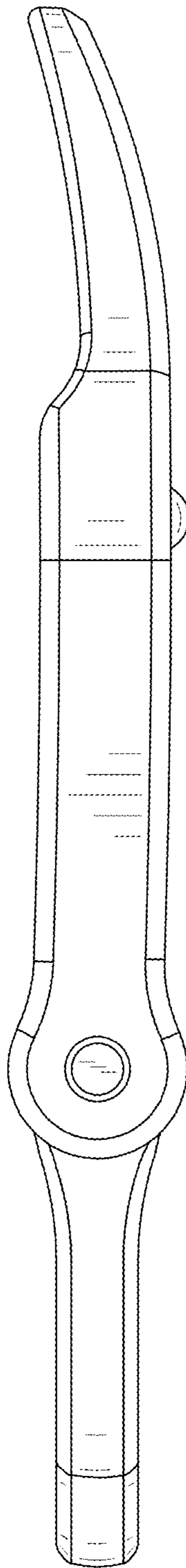


FIG3

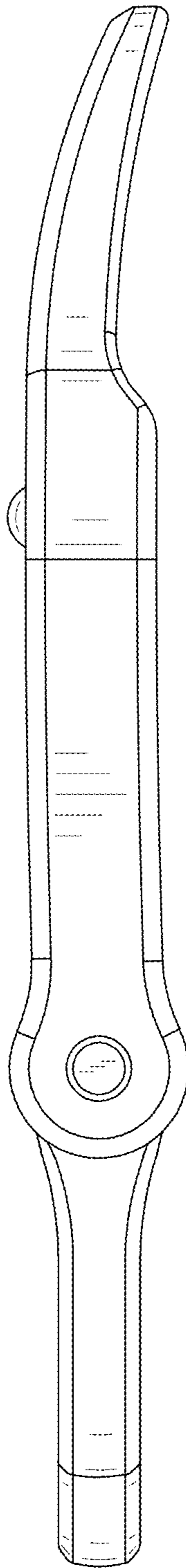


FIG.4

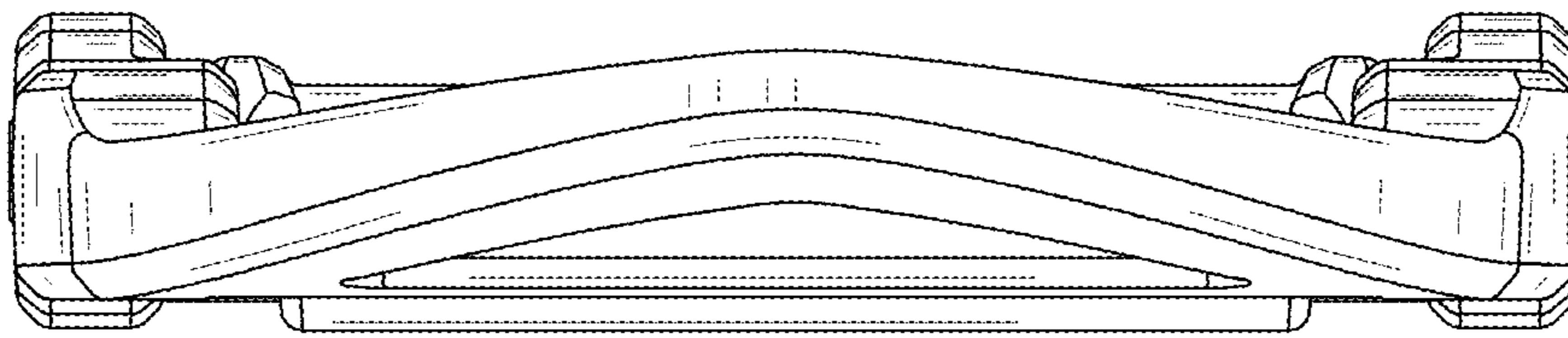


FIG. 5

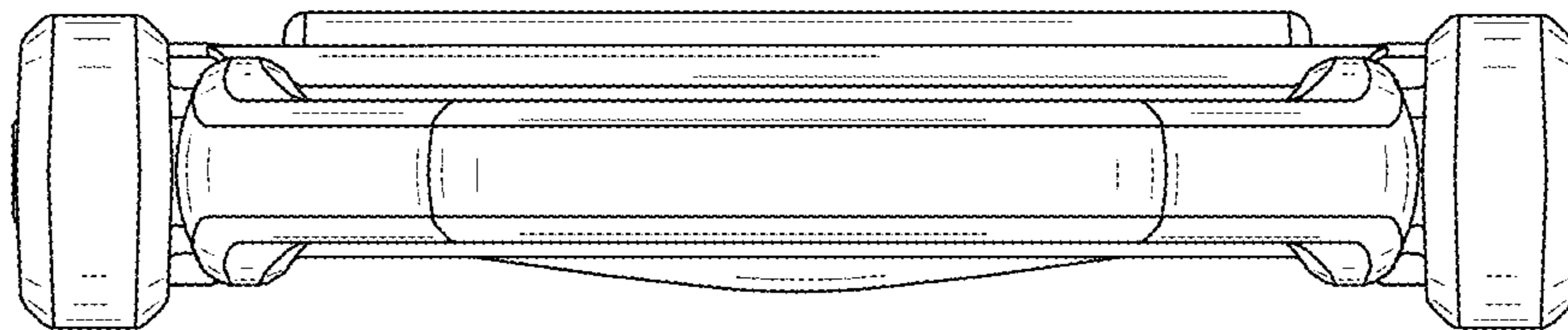


FIG. 6

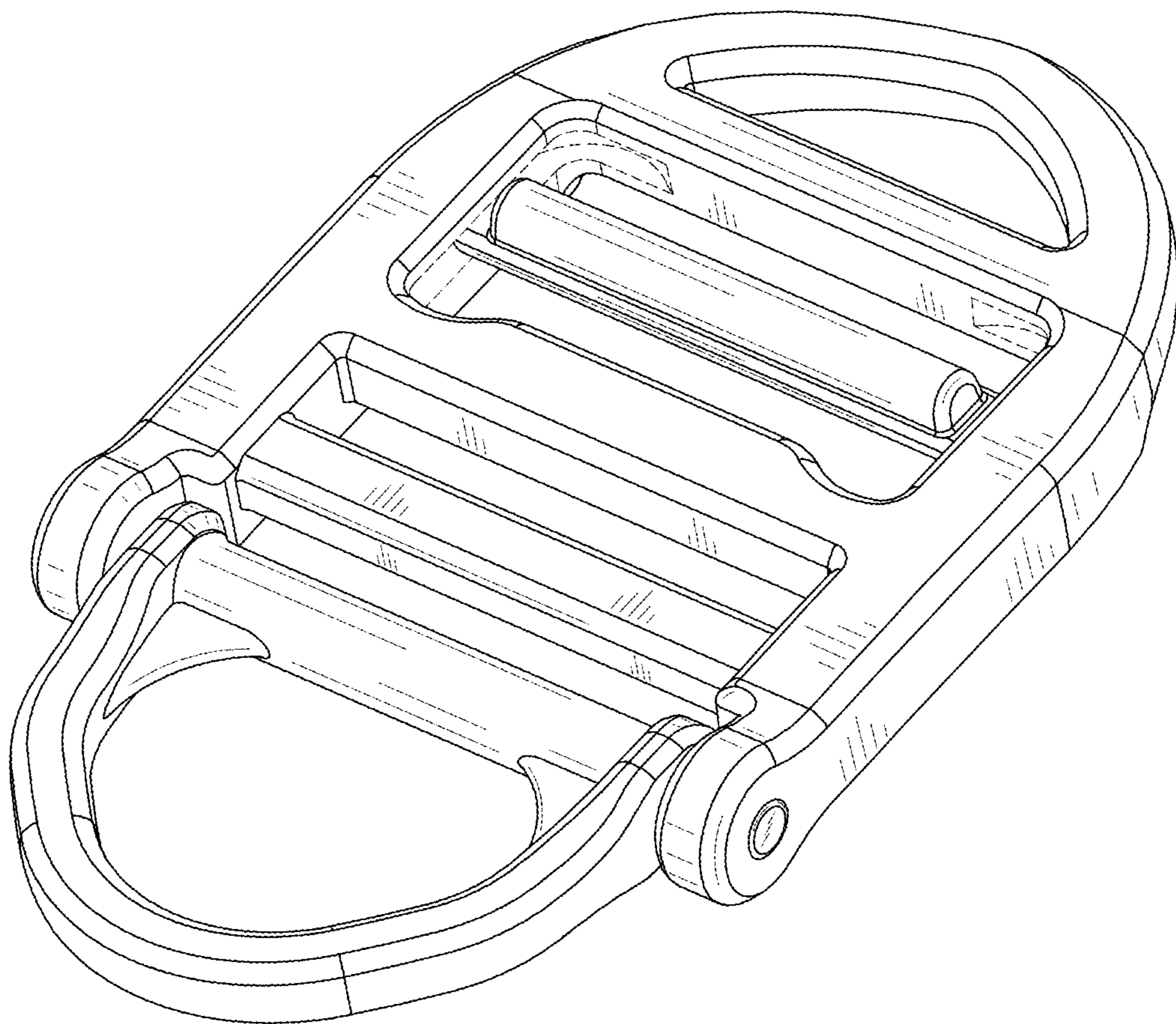


FIG. 7

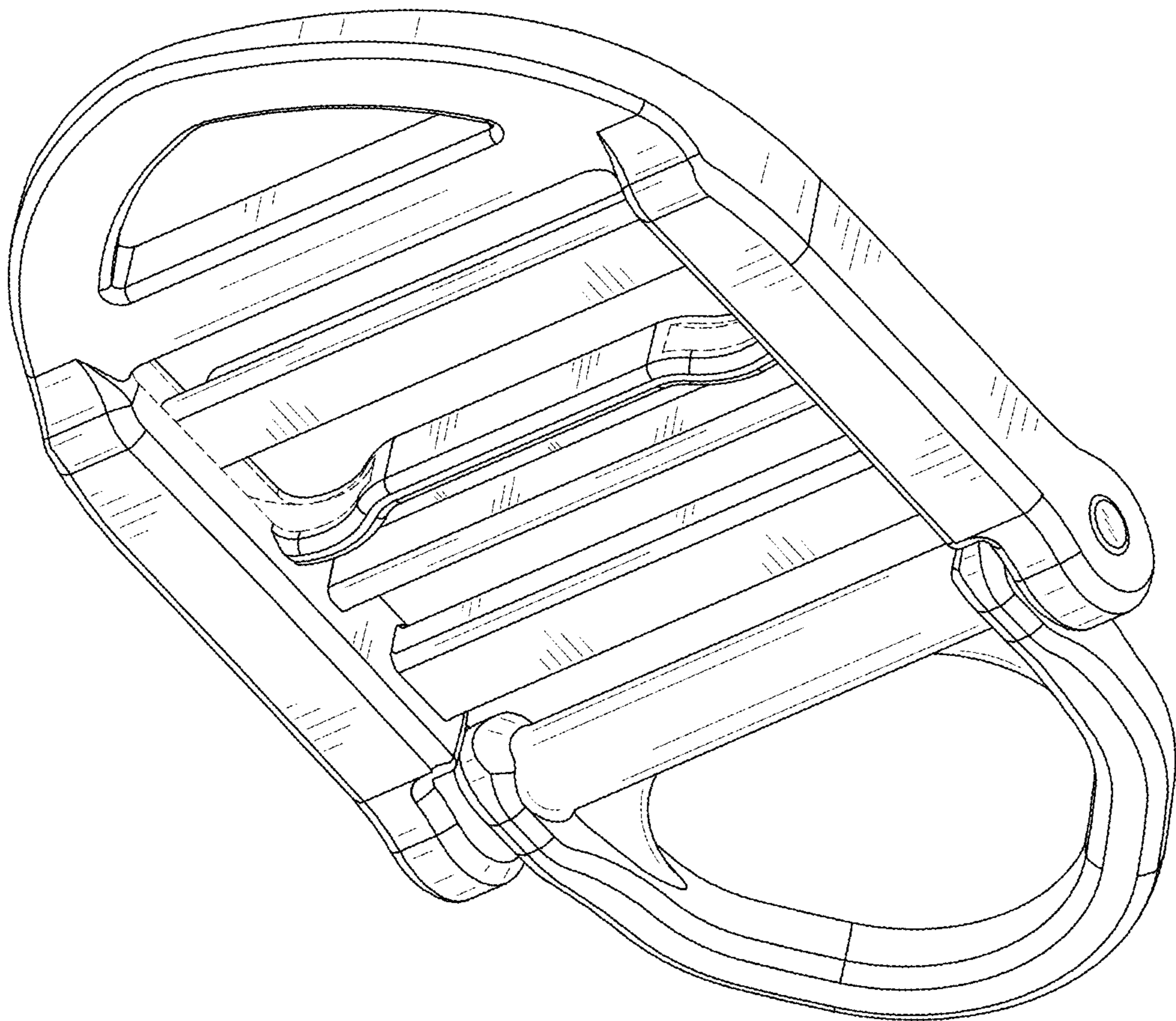


FIG.8