



US00D903518S

(12) **United States Design Patent** (10) **Patent No.:** **US D903,518 S**
Gao (45) **Date of Patent:** **** Dec. 1, 2020**

(54) **FACE FOR WATCH OR CLOCK**

FOREIGN PATENT DOCUMENTS

(71) Applicant: **Youjun Gao**, Shanghai (CN)

IN 265283 * 9/2014

(72) Inventor: **Youjun Gao**, Shanghai (CN)

OTHER PUBLICATIONS

(**) Term: **15 Years**

Amazon, Whimsical Watches Gymnastics Lover, posted Apr. 28, 2012, [online], [visited Oct. 25, 2019]. Internet, URL: https://www.amazon.co.uk/Whimsical-Watches-Gymnastics-Multicolour-N-0840024/dp/B00750FYNG/ref=olp_product_details?_encoding=UTF8&me= (Year: 2012).*

(21) Appl. No.: **29/667,695**

(22) Filed: **Oct. 24, 2018**

* cited by examiner

(30) **Foreign Application Priority Data**

Apr. 24, 2018 (CN) 2018 3 0172009

(51) **LOC (12) Cl.** **10-07**

(52) **U.S. Cl.**
USPC **D10/126**

(58) **Field of Classification Search**
USPC D10/1, 6, 7, 8, 30, 31, 32, 37, 38, 39,
D10/122, 123, 124, 125, 126, 132, 128,
D10/26

CPC G04B 1/00; G04B 19/00; G04B 19/02;
G04B 19/046; G04B 19/06; G04B
19/065; G04B 19/08; G04B 19/085;
G04B 19/18; G04B 19/12; G04B 19/20;
G04B 19/202; G04B 19/24; G04B 19/166

See application file for complete search history.

(56) **References Cited**

U.S. PATENT DOCUMENTS

- D75,687 S * 7/1928 Hickey D10/124
- D163,797 S * 7/1951 Fargo D10/124
- D193,659 S * 9/1962 Matricardi D19/64
- 3,148,500 A * 9/1964 Hayes G04B 45/0061
368/80
- D243,444 S * 2/1977 Miller D10/8
- D301,313 S * 5/1989 Petrilli D10/126
- D351,359 S * 10/1994 Kaneko D10/126
- D657,278 S * 4/2012 Cronson D10/126

Primary Examiner — Sheryl Lane

Assistant Examiner — Samantha N Wood

(74) *Attorney, Agent, or Firm* — Ware, Fressola, Maguire & Barber LLP

(57) **CLAIM**

I claim the ornamental design for a face for watch or clock, as shown and described.

DESCRIPTION

FIG. 1 is a front elevational view of a face for watch or clock showing my new design;

FIG. 2 is a front elevational view thereof in an exemplary environment;

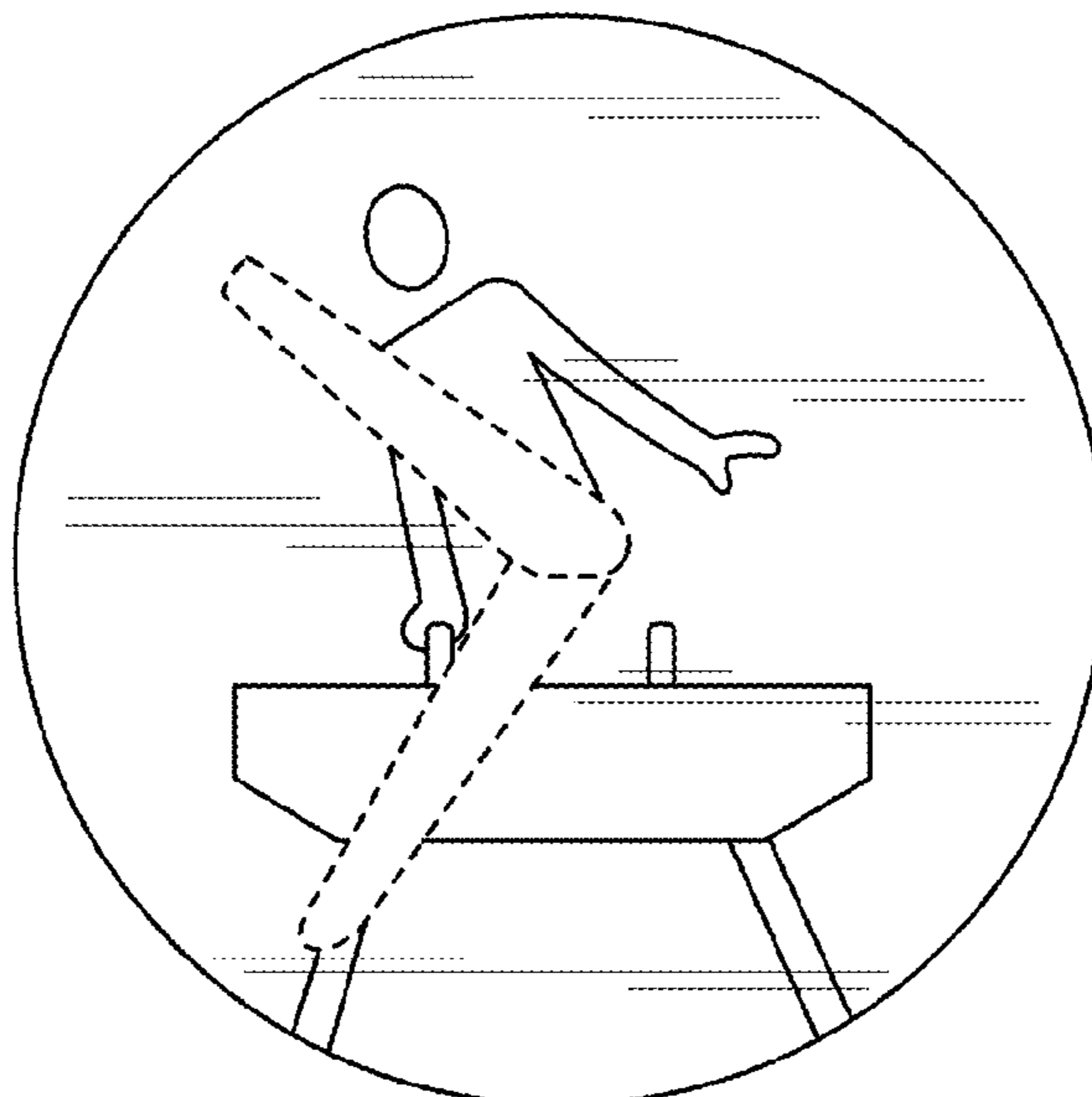
FIG. 3 is a front elevation view thereof for ease of illustration; and,

FIG. 4 is a front elevation view thereof.

The broken lines are included for the purpose of showing the environmental structure and form no part of the claimed design.

The parallel lines are surface shading used to indicate the flat character of the claimed design. The claimed design is a flat surface, and therefore the back view, the left view, the right view, the top view and the bottom view form no part of the claimed design and are omitted.

1 Claim, 4 Drawing Sheets



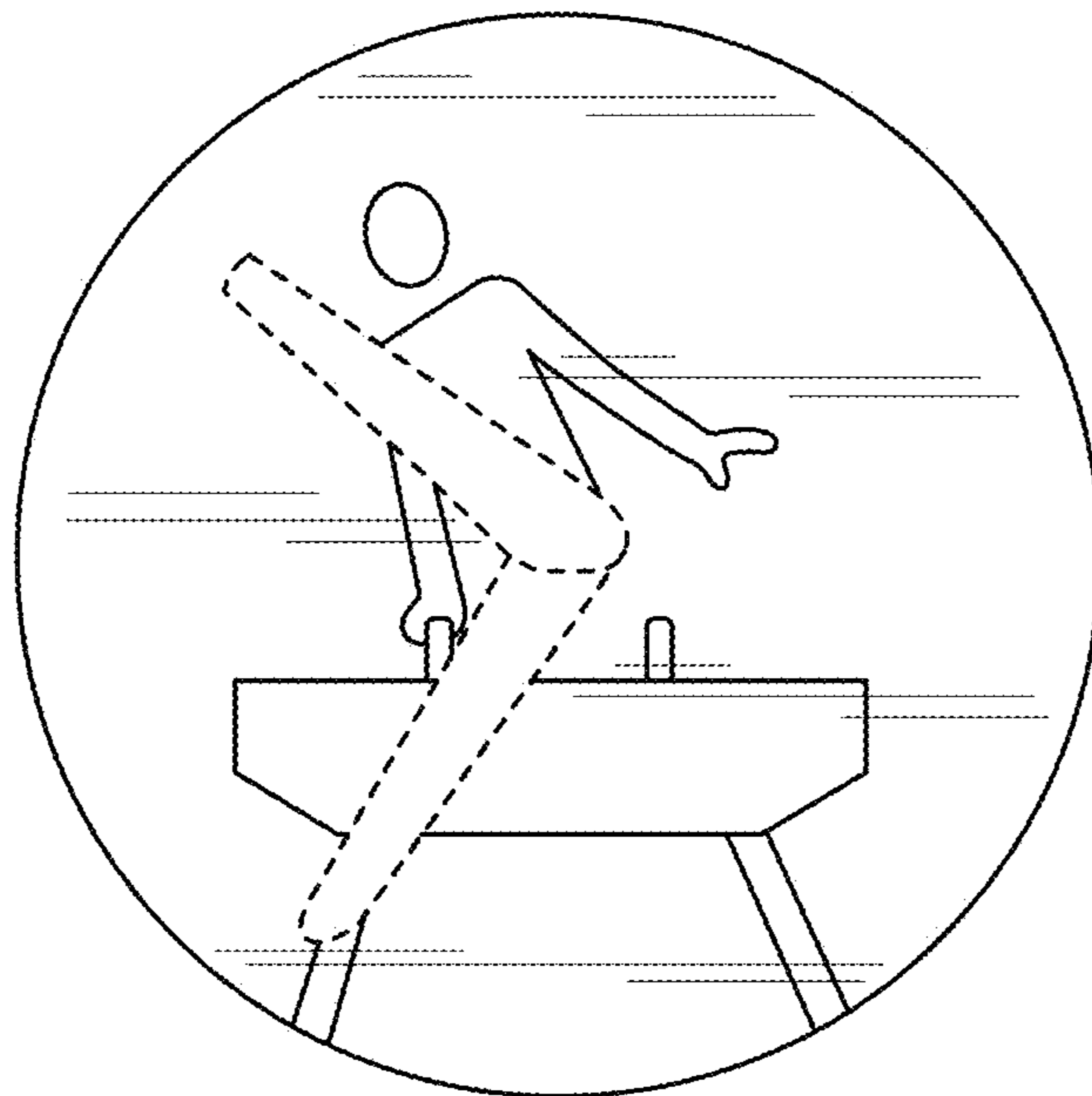


FIG. 1

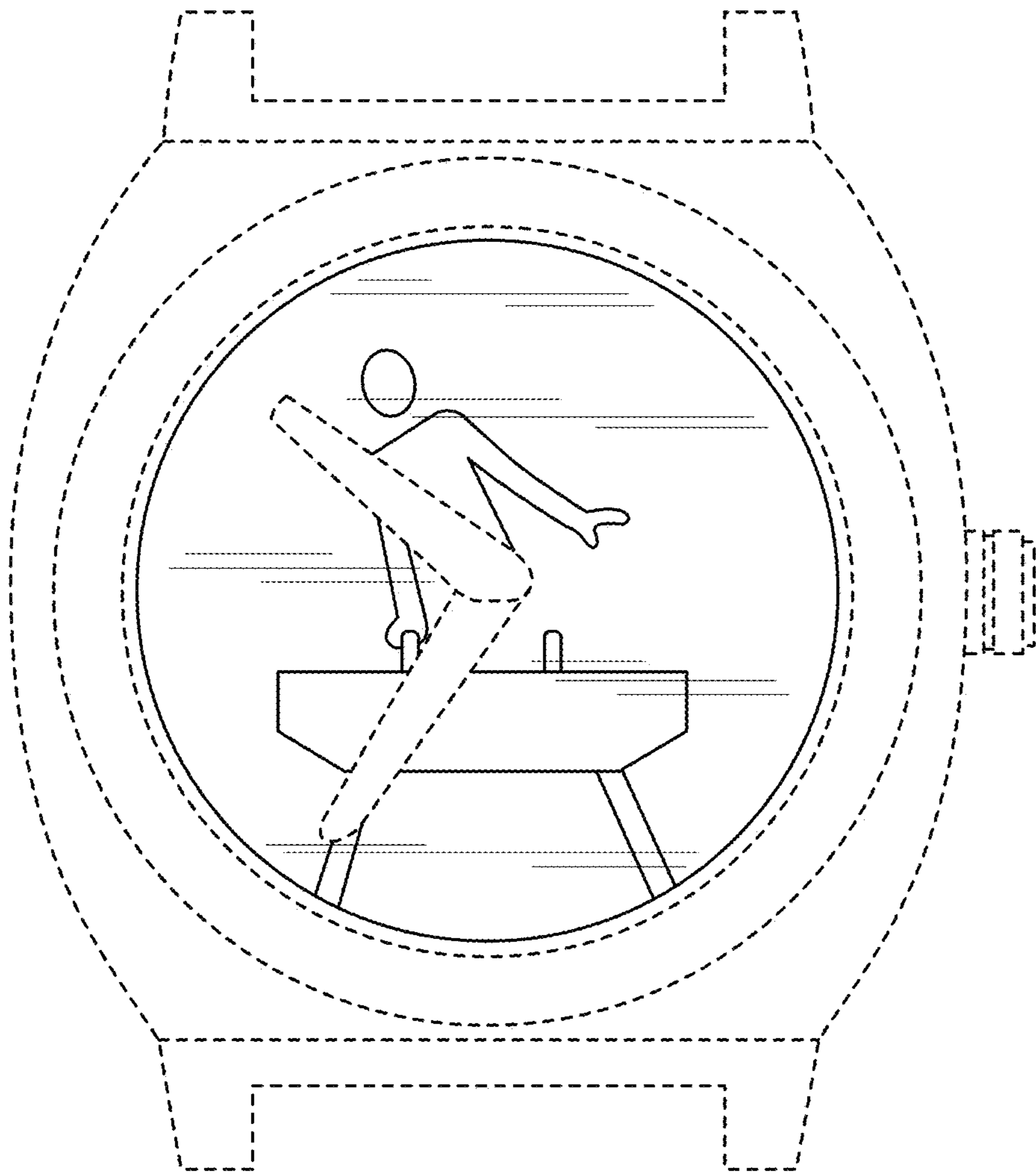


FIG. 2

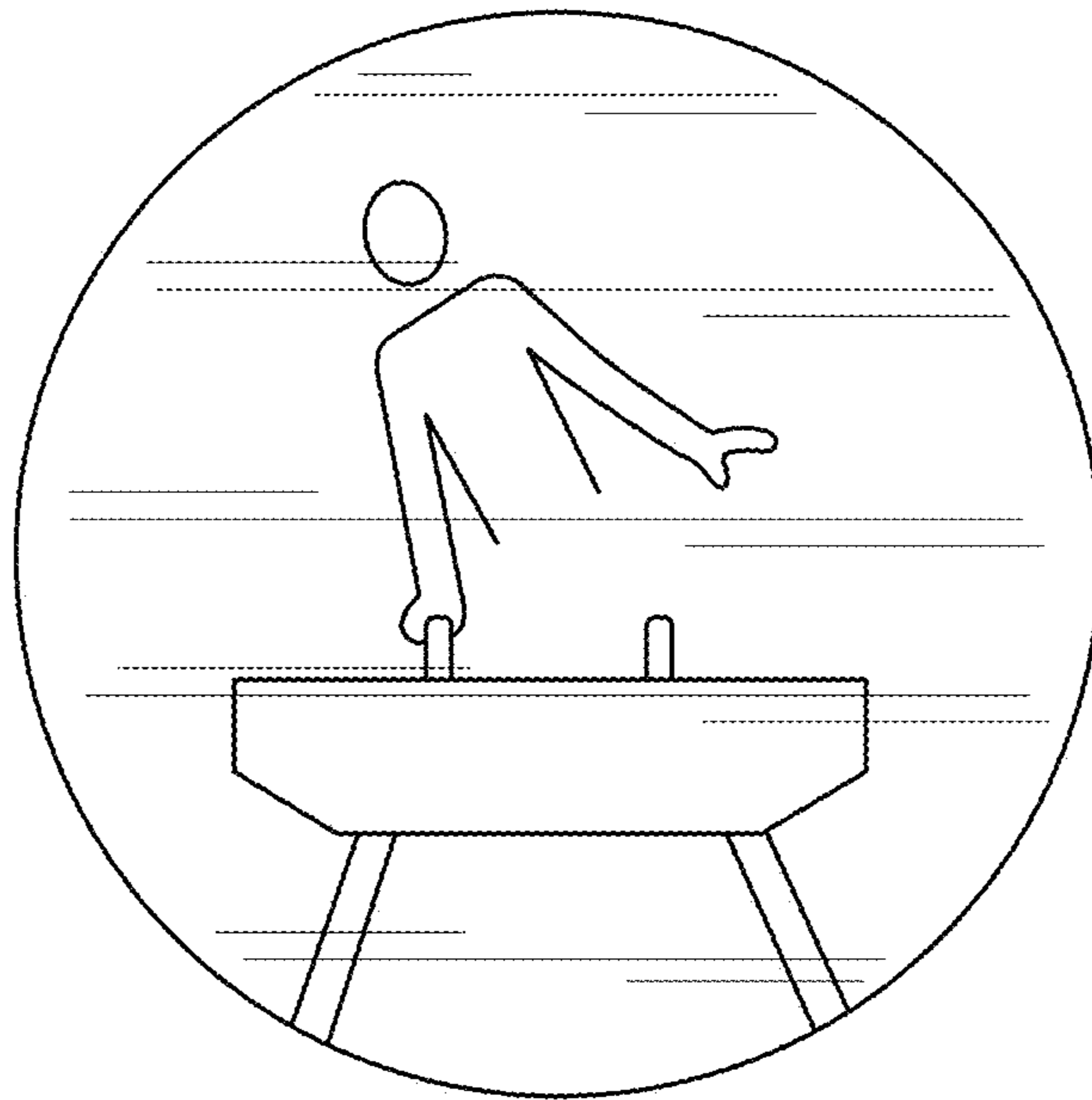


FIG. 3

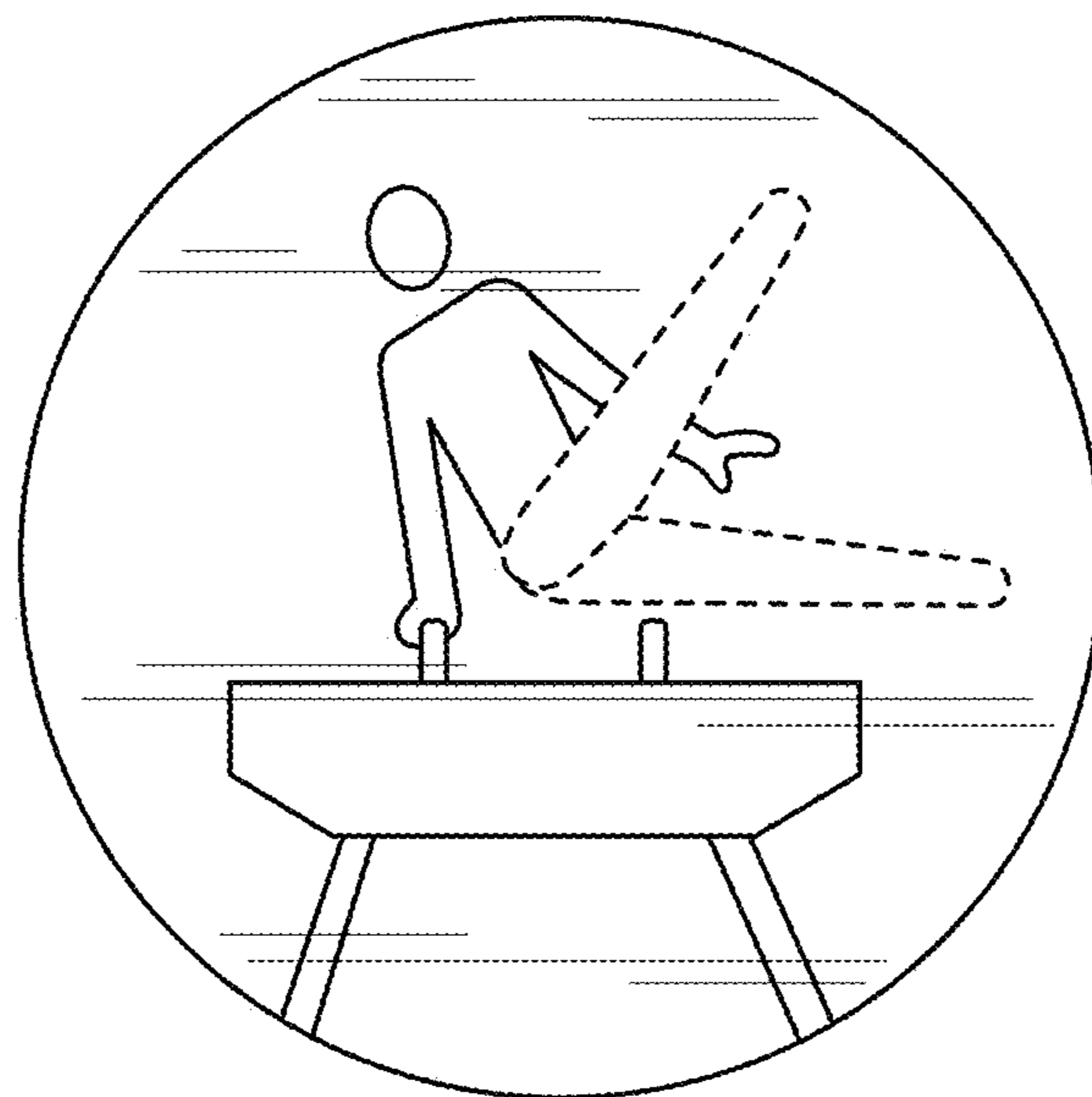


FIG. 4