



US00D903517S

(12) **United States Design Patent** (10) **Patent No.:** **US D903,517 S**
Gao (45) **Date of Patent:** **** Dec. 1, 2020**

- (54) **FACE FOR WATCH OR CLOCK**
- (71) Applicant: **Youjun Gao**, Shanghai (CN)
- (72) Inventor: **Youjun Gao**, Shanghai (CN)
- (**) Term: **15 Years**
- (21) Appl. No.: **29/659,267**
- (22) Filed: **Aug. 7, 2018**
- (30) **Foreign Application Priority Data**

Feb. 8, 2018 (CN) 201830060627

- (51) **LOC (12) Cl.** **10-07**
- (52) **U.S. Cl.**
USPC **D10/126**
- (58) **Field of Classification Search**
USPC D10/1, 6, 7, 8, 30, 31, 32, 37, 38, 39,
D10/122, 123, 124, 125, 126, 132, 128
CPC G04B 1/00; G04B 19/00; G04B 19/02;
G04B 19/046; G04B 19/06; G04B
19/065; G04B 19/08; G04B 19/085;
G04B 19/18; G04B 19/12; G04B 19/20;
G04B 19/202; G04B 19/24; G04B 19/166
See application file for complete search history.

(56) **References Cited**

U.S. PATENT DOCUMENTS

- D159,421 S * 7/1950 Kaufman D10/8
- D163,797 S * 7/1951 Fargo D10/124
- D235,421 S * 6/1975 Pitrelli D10/39
- D239,439 S * 4/1976 Davis D10/39
- D351,359 S * 10/1994 Kaneko D10/126
- D524,677 S * 7/2006 Nataf D10/126
- D618,576 S * 6/2010 Duport D10/126

OTHER PUBLICATIONS

Amazon, Superbass Watch WAT 130, posted Mar. 15, 2014, [online], [visited Oct. 24, 2019]. Internet, URL: <https://www.amazon.co.uk/superbass-Watch-WAT-130/dp/B00EMSQOX8> (Year: 2014).*

Amazon, Kiesenberg Drummer Watch L-6158, posted Jan. 17, 2017, [online], [visited Oct. 24, 2019]. Internet, URL: https://www.amazon.co.uk/Gift-Drums-Drummer-Watch-L-6158/dp/B07NYR2JM4/ref=olp_product_details?_encoding=UTF8&me= (Year: 2017).*
Amazon, JLS Creative Watch Drum Set, posted Nov. 24, 2015, [online], [visited Oct. 24, 2019]. Internet, URL: https://www.amazon.co.uk/JLS-Creative-Watches-Personalized-Monogram/dp/B018FVIHA0/ref=olp_product_details?_encoding=UTF8&me= (Year: 2015).*

* cited by examiner

Primary Examiner — Sheryl Lane

Assistant Examiner — Samantha N Wood

(74) *Attorney, Agent, or Firm* — Ware, Fressola, Maguire & Barber LLP

(57) **CLAIM**

I claim the ornamental design for a face for watch or clock, as shown and described.

DESCRIPTION

FIG. 1 is a front elevational view of a face for watch or clock showing my new design;

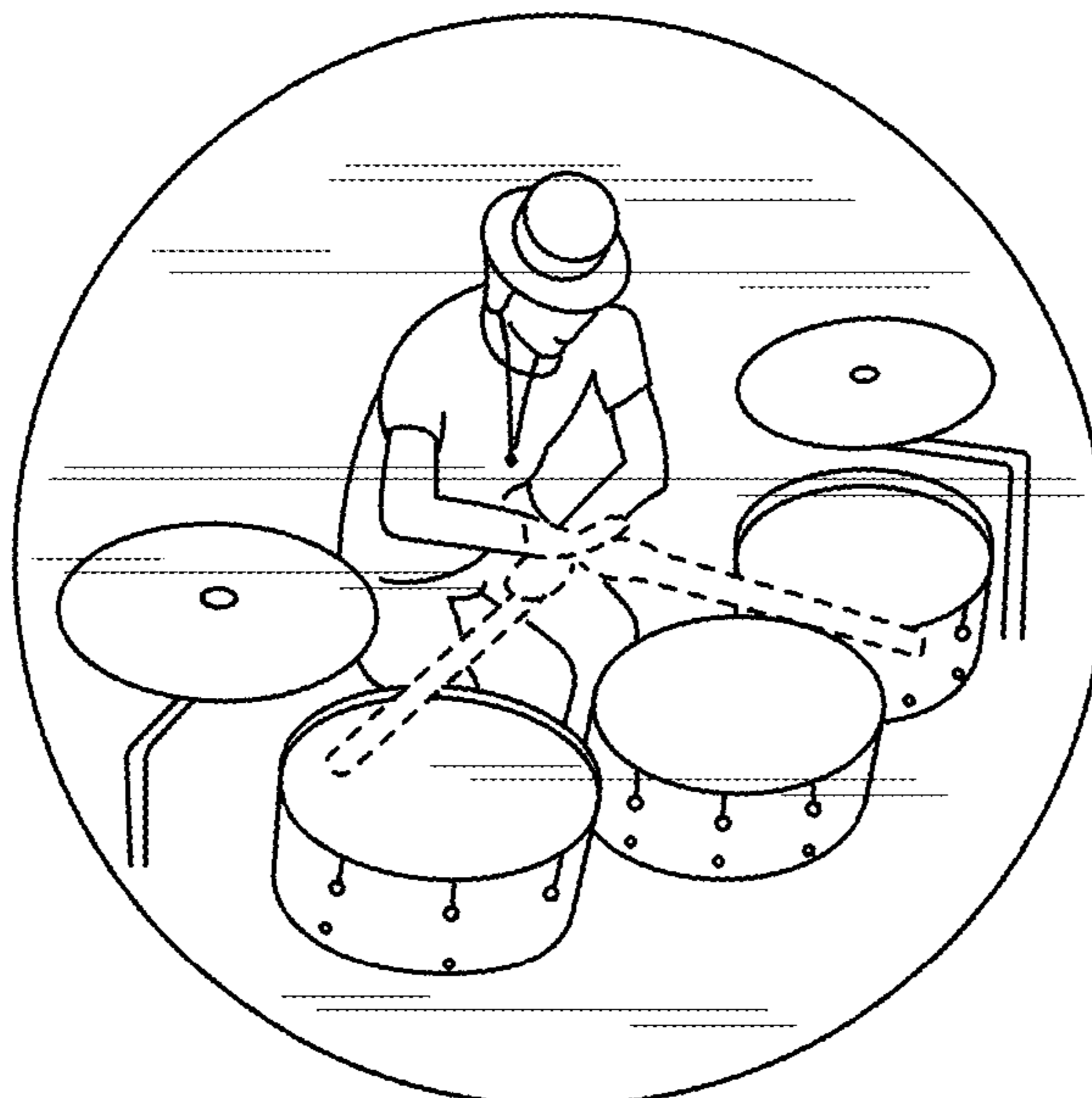
FIG. 2 is a front elevational view thereof in an exemplary environment; and,

FIG. 3 is a front elevation view thereof for ease of illustration.

The broken lines are included for the purpose of showing the environmental structure and form no part of the claimed design.

The parallel lines are surface shading used to indicate the flat character of the claimed design. The claimed design is a flat surface, and therefore the back view, the left view, the right view, the top view and the bottom view form no part of the claimed design and are omitted.

1 Claim, 3 Drawing Sheets



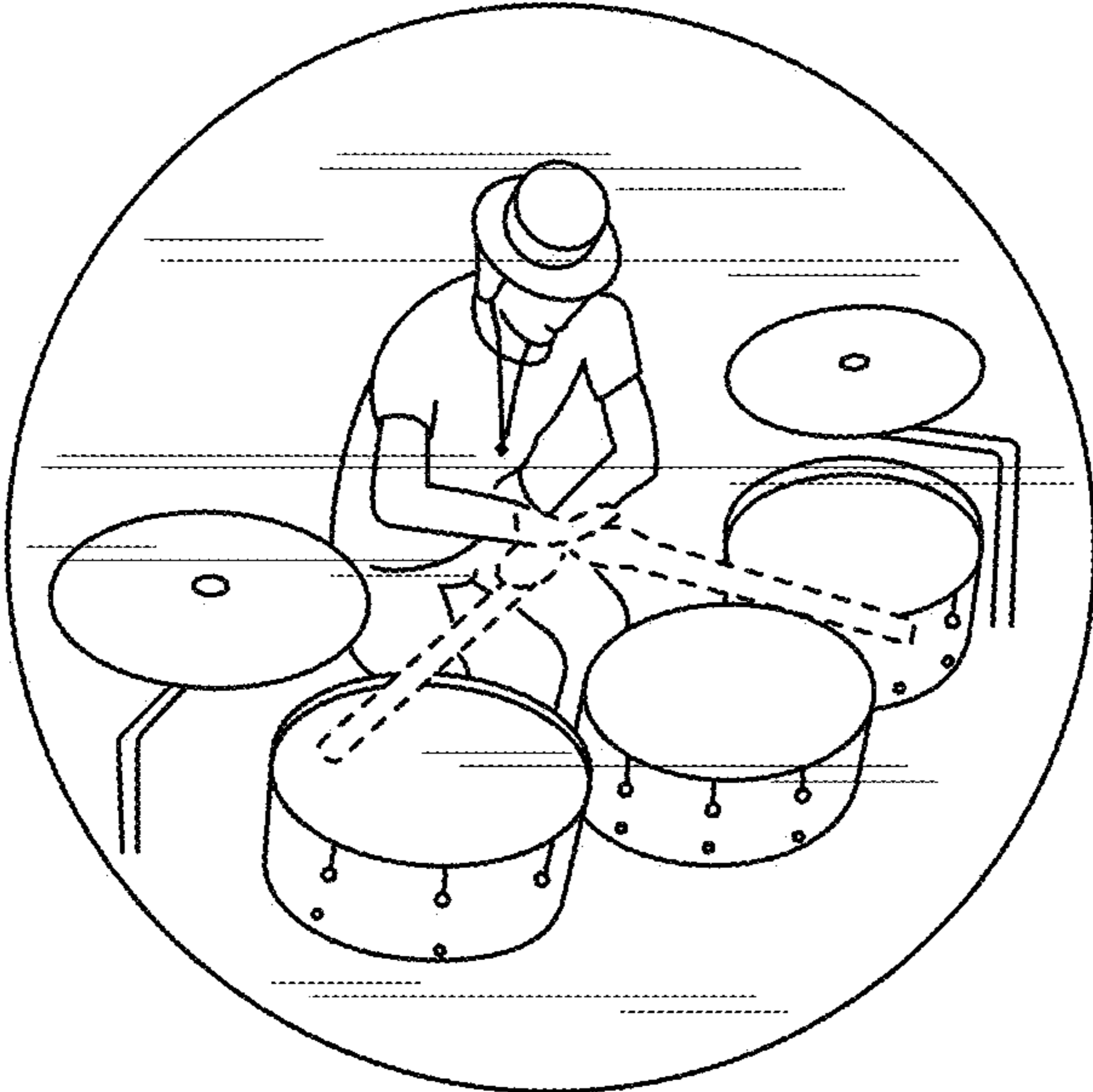


FIG. 1

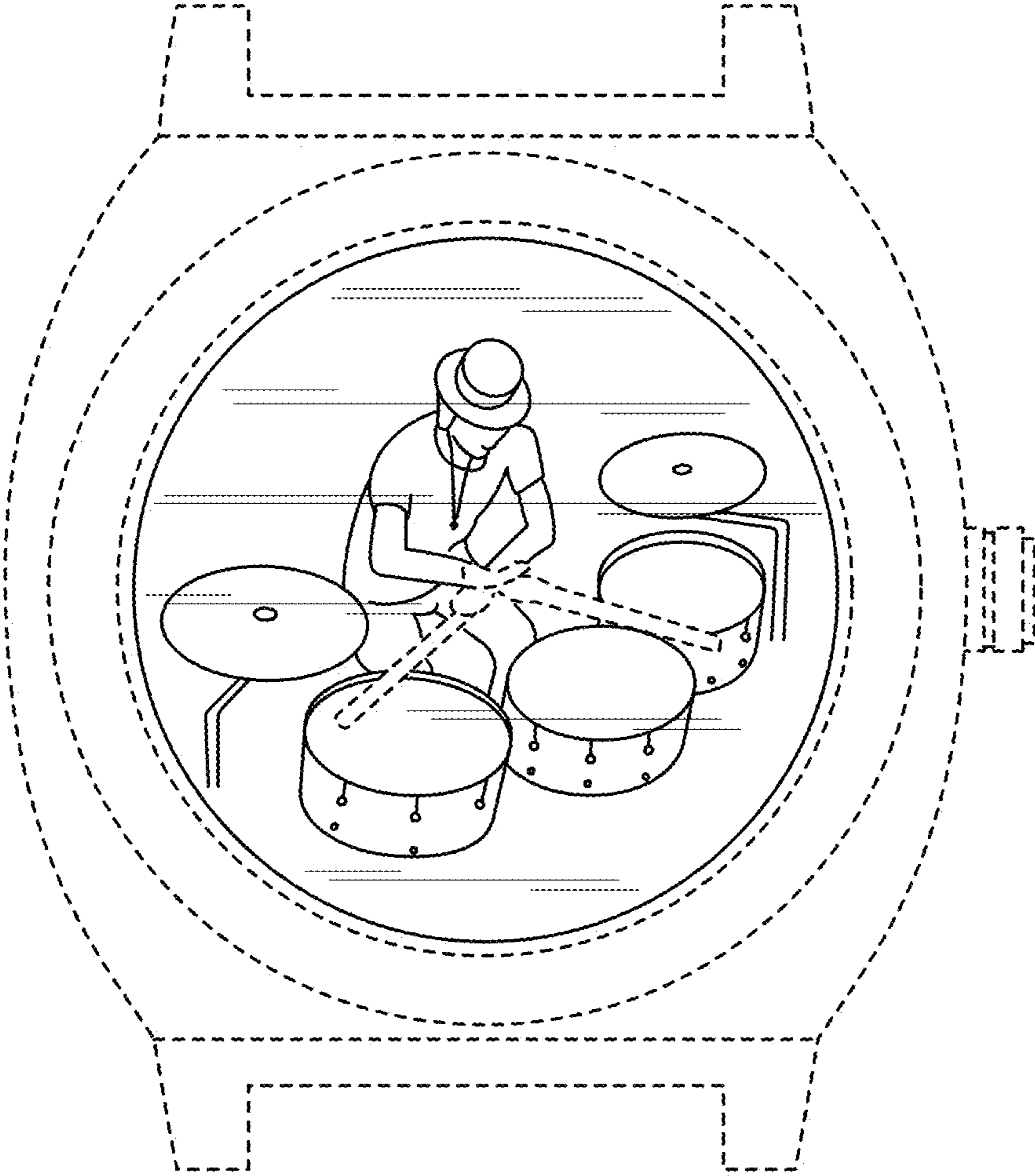


FIG. 2

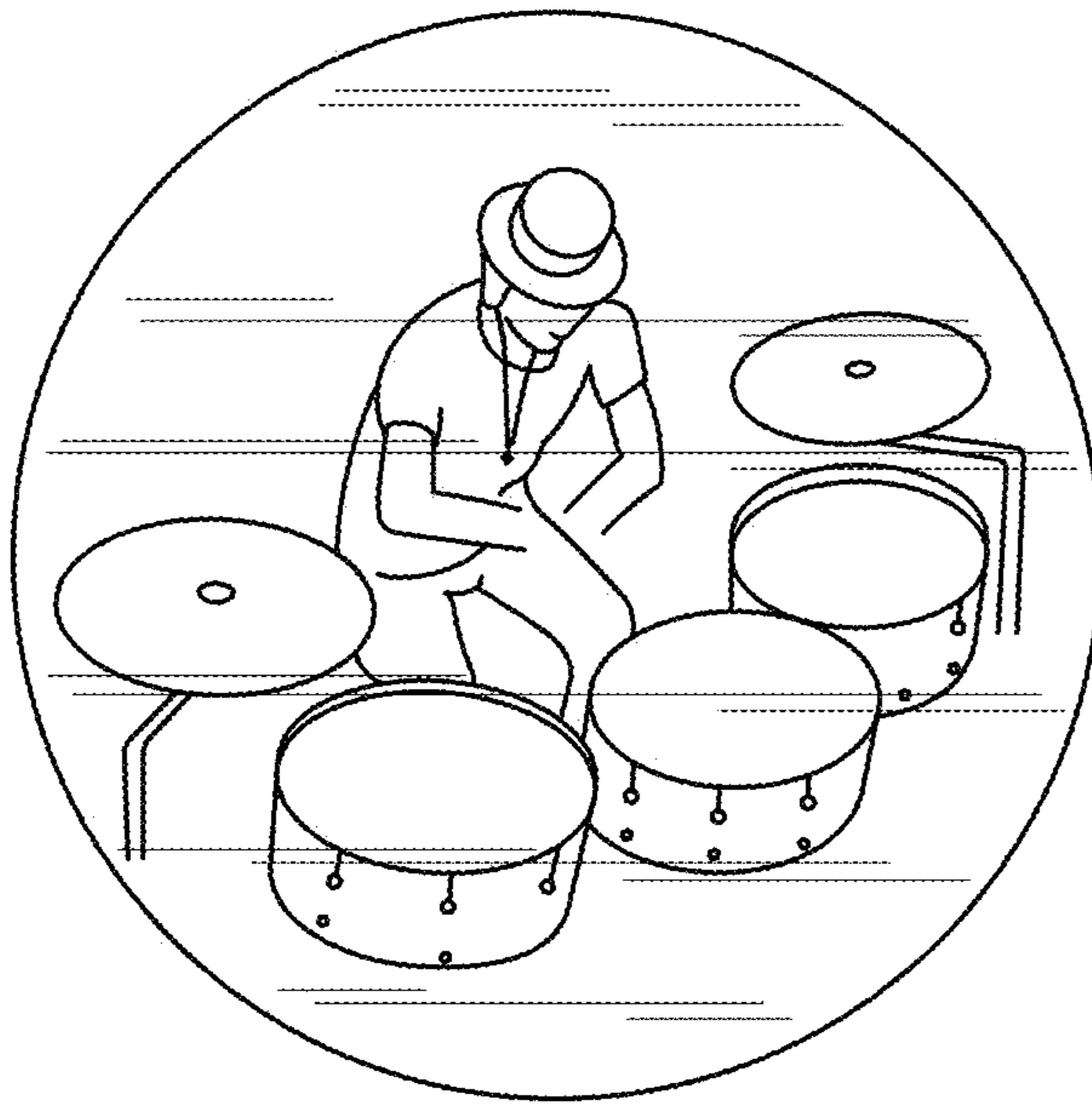


FIG. 3