



US00D903516S

(12) **United States Design Patent**  
**Lu**

(10) **Patent No.:** **US D903,516 S**  
(45) **Date of Patent:** **\*\* Dec. 1, 2020**

(54) **TIRE PRESSURE SENSOR**

(71) Applicant: **AUTEL INTELLIGENT TECHNOLOGY CORP., LTD.**,  
Guangdong (CN)

(72) Inventor: **Boming Lu**, Guangdong (CN)

(73) Assignee: **AUTEL INTELLIGENT TECHNOLOGY CORP., LTD.**,  
Shenzhen (CN)

(\*\*) Term: **15 Years**

(21) Appl. No.: **29/685,223**

(22) Filed: **Mar. 27, 2019**

(30) **Foreign Application Priority Data**

Sep. 27, 2018 (CN) ..... 2018 3 0545003

(51) **LOC (12) Cl.** ..... **10-04**

(52) **U.S. Cl.**  
USPC ..... **D10/86**

(58) **Field of Classification Search**  
USPC ..... D10/86  
CPC . B60C 23/0408; B60C 23/0494; G01L 7/043;  
G01L 7/00-7/24; G01L 13/00-13/06;  
G01L 15/00; G01L 17/00-17/005; G01L  
19/00-19/16; G01L 23/00-23/32; G01L  
27/00-23/02; G05D 16/00-16/2093;  
G05D 7/00-7/0694; G05D 11/00-11/16;  
G05D 13/00-13/66; G05D 23/00-23/32  
See application file for complete search history.

(56) **References Cited**

**U.S. PATENT DOCUMENTS**

8,047,068 B2 \* 11/2011 Hamm ..... B60C 23/0408  
73/146.5  
D653,567 S \* 2/2012 Yamada ..... D10/86

D653,568 S \* 2/2012 Yamada ..... D10/86  
D653,569 S \* 2/2012 Yamada ..... D10/86  
D653,570 S \* 2/2012 Yamada ..... D10/86  
D655,635 S \* 3/2012 Yamada ..... D10/86  
9,417,158 B2 \* 8/2016 Kempf ..... B60C 23/0494  
9,475,350 B2 \* 10/2016 Lo ..... B60C 23/0494  
9,499,016 B2 \* 11/2016 Deniau ..... B60C 23/0494  
9,656,523 B2 \* 5/2017 Gorenzweig ..... B60C 23/0408  
9,669,669 B2 \* 6/2017 Gorenzweig ..... B60C 23/0494  
D801,836 S \* 11/2017 Surendra ..... D10/86  
9,891,045 B2 \* 2/2018 Vassilieff ..... B60C 23/0481  
10,000,099 B2 \* 6/2018 Gorenzweig ..... B60C 23/0494  
D847,677 S \* 5/2019 Lu ..... B60C 23/0408  
D10/86  
10,352,478 B2 \* 7/2019 Taki ..... B60C 23/0408  
D873,162 S \* 1/2020 Lu ..... D10/86  
10,688,838 B2 \* 6/2020 Capdepon ..... B60C 23/0494

\* cited by examiner

*Primary Examiner* — Antoine Duval Davis

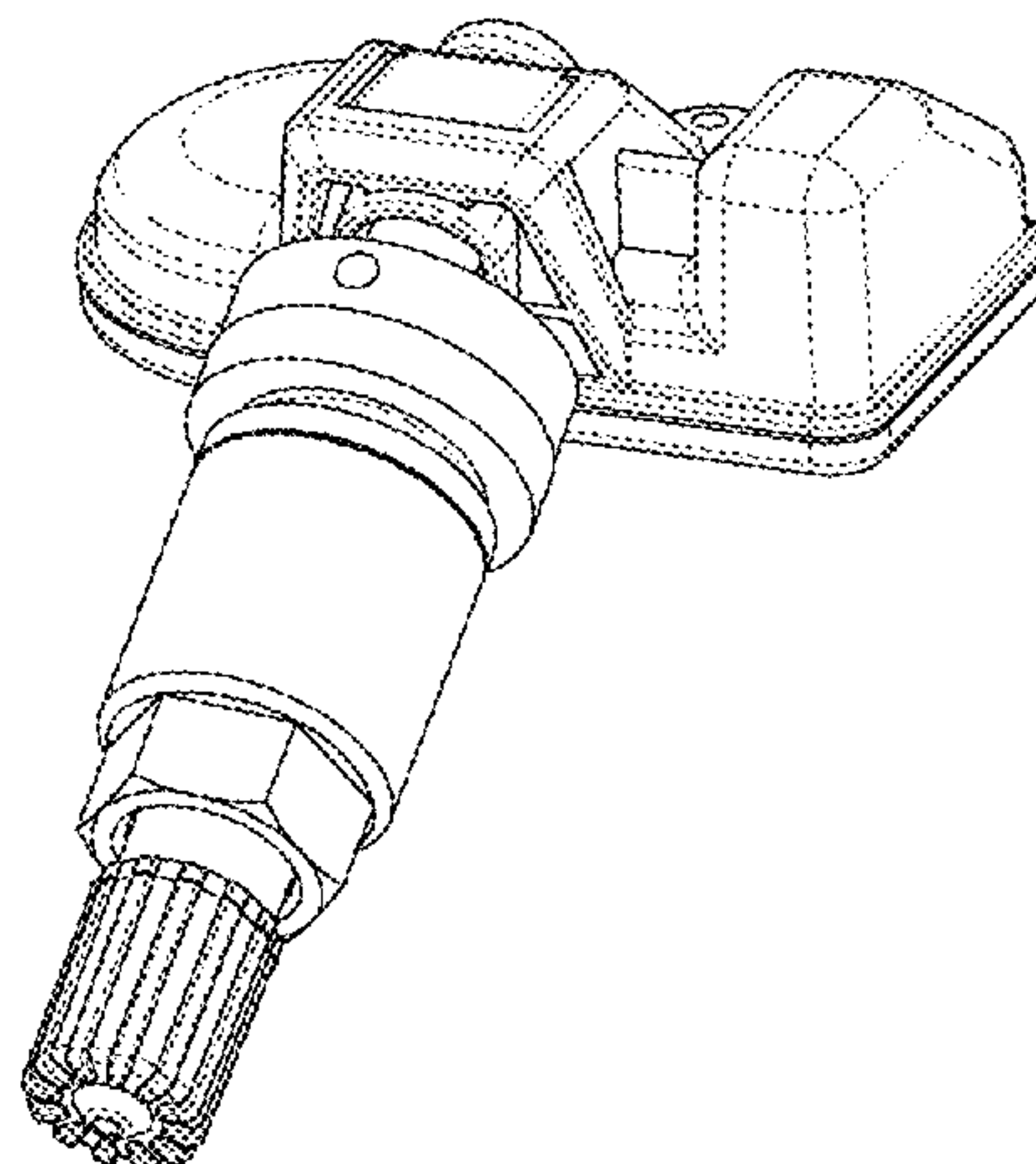
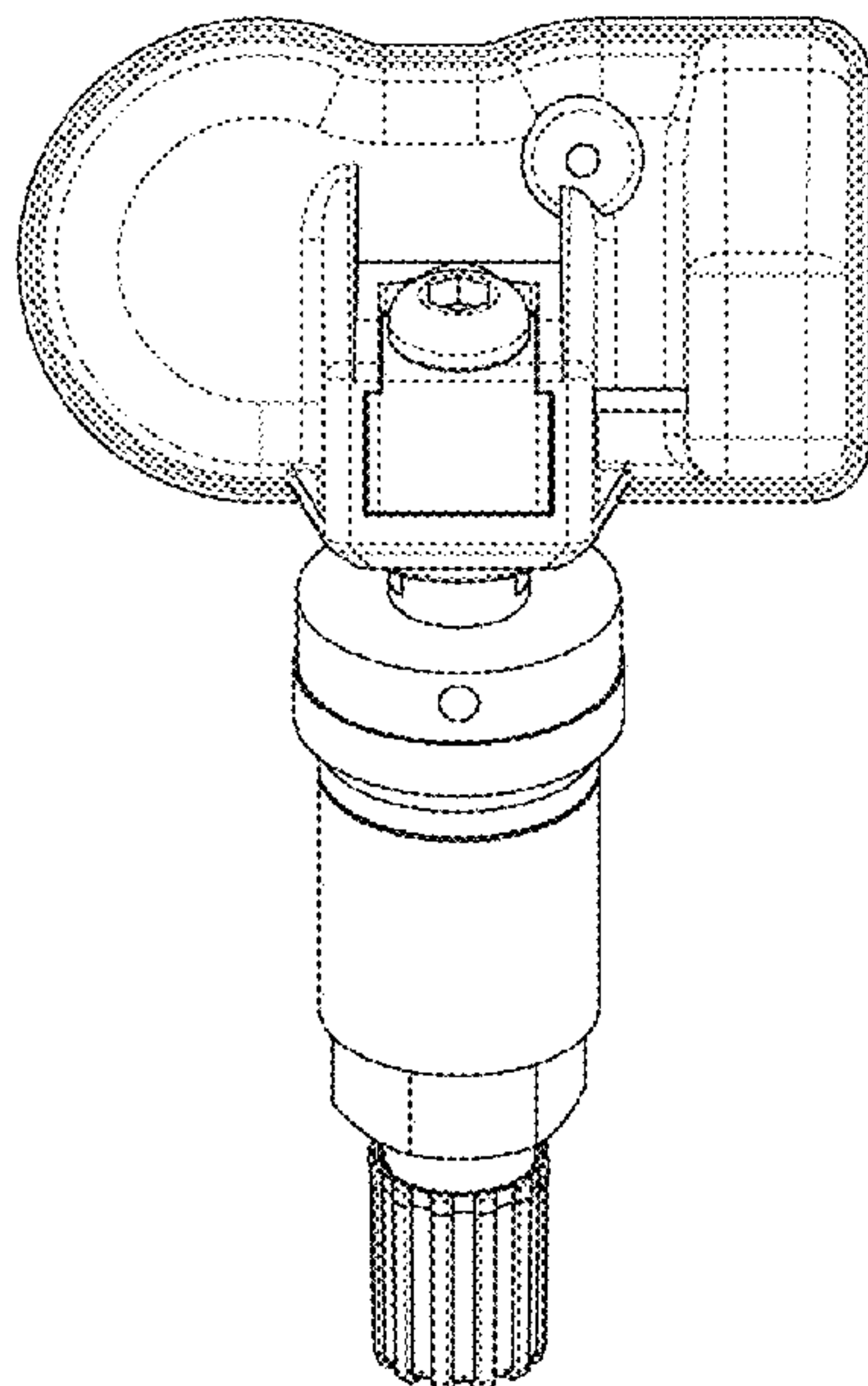
(57) **CLAIM**

I claim the ornamental design for a tire pressure sensor, as shown and described.

**DESCRIPTION**

FIG. 1 is a front elevational view of a tire pressure sensor showing our new design;  
FIG. 2 is a back elevational view thereof;  
FIG. 3 is a left side elevational view thereof;  
FIG. 4 is a right side elevational view thereof;  
FIG. 5 is a top plan view thereof;  
FIG. 6 is a bottom plan view thereof;  
FIG. 7 is a perspective view thereof; and,  
FIG. 8 is another perspective view thereof.

**1 Claim, 6 Drawing Sheets**



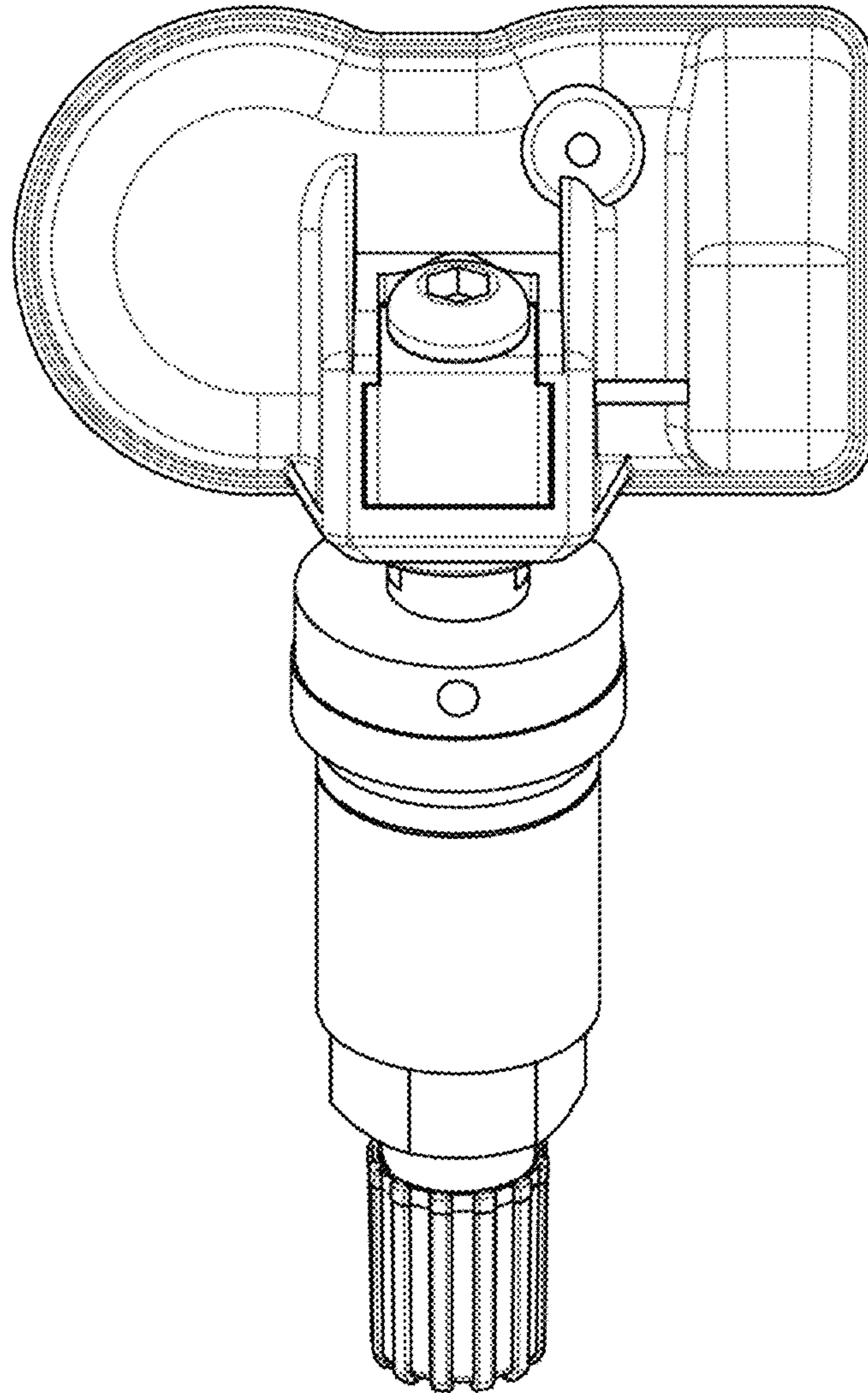


FIG.1

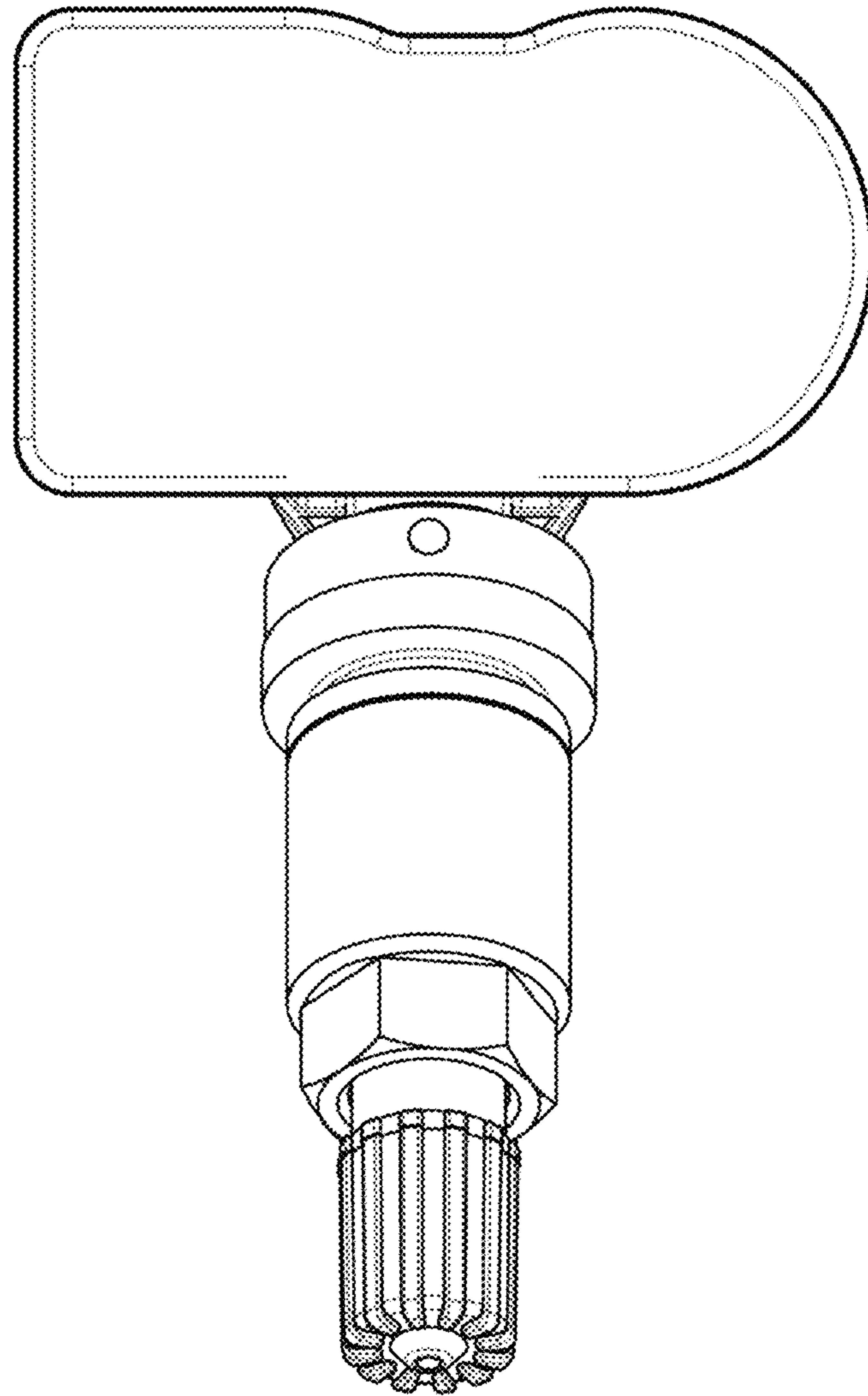


FIG.2

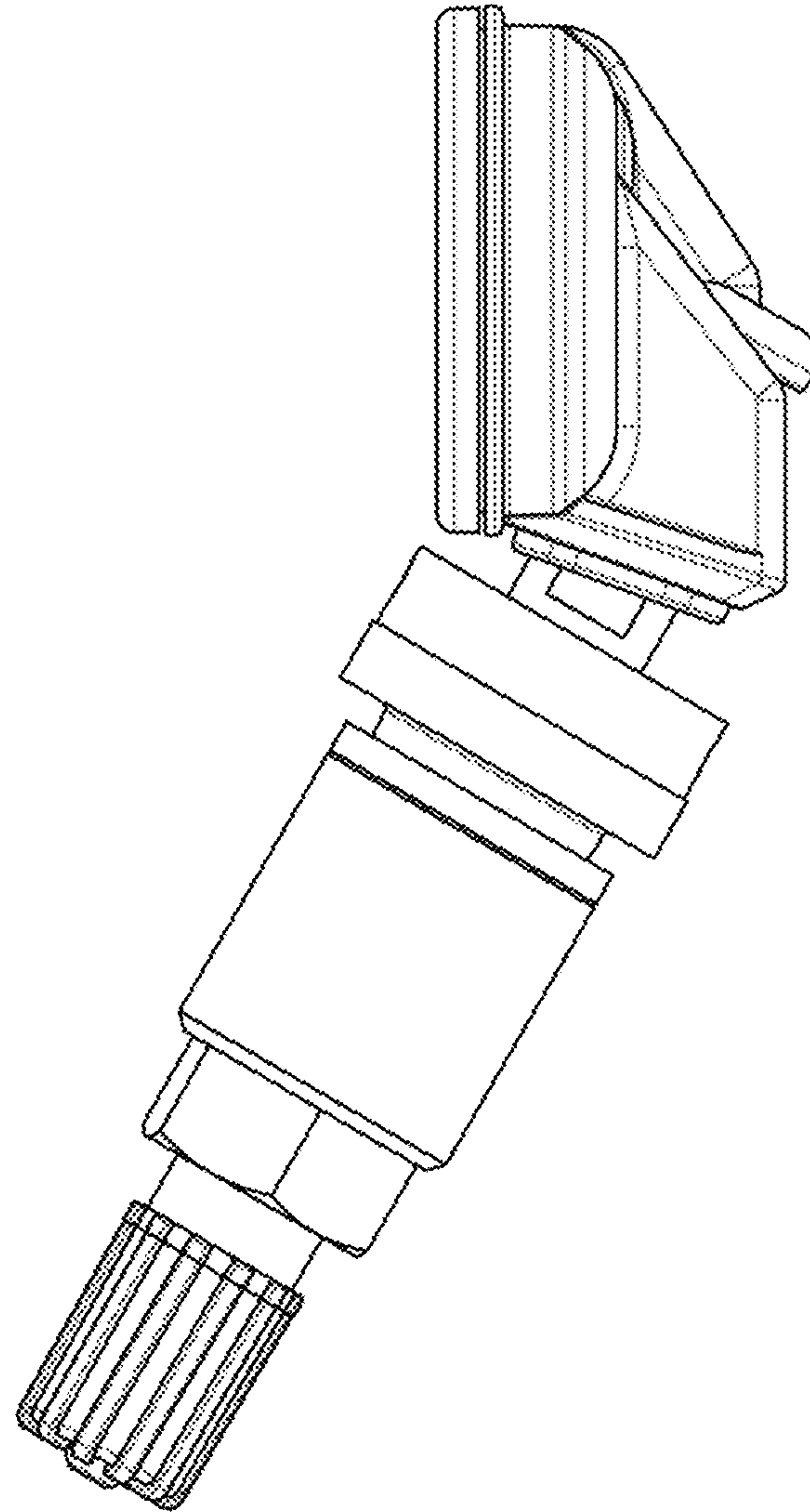


FIG.3



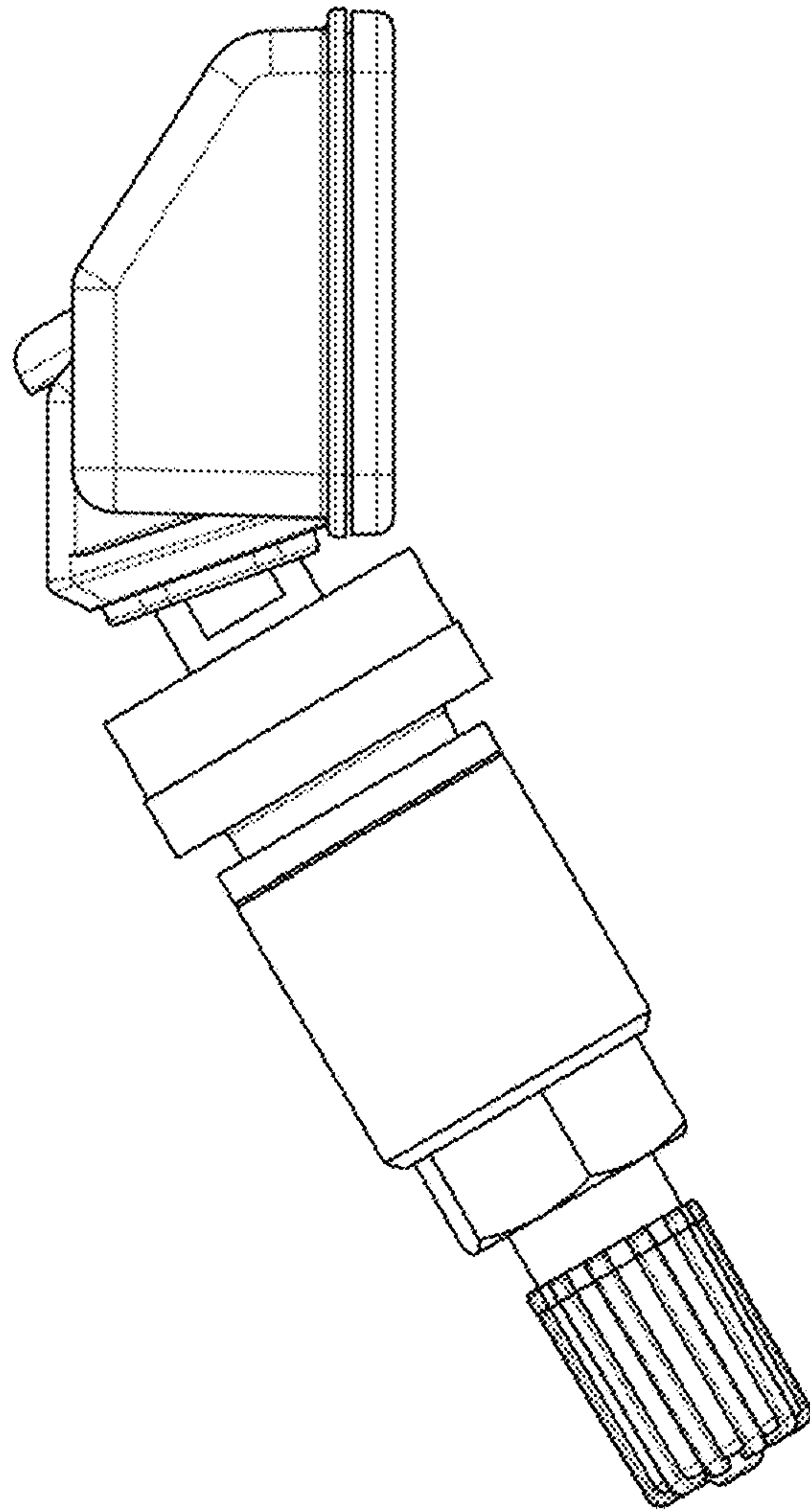


FIG. 4

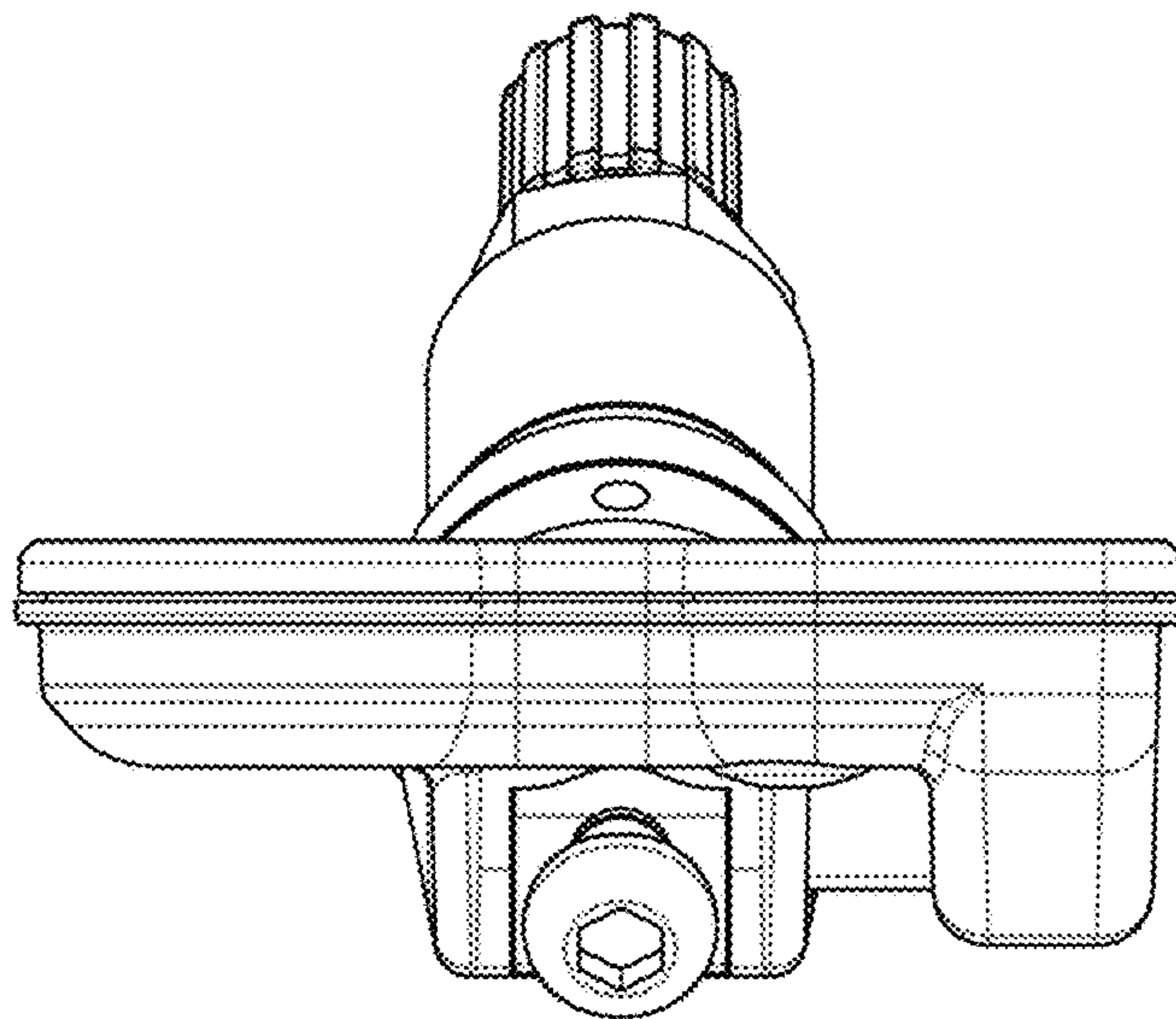


FIG. 5

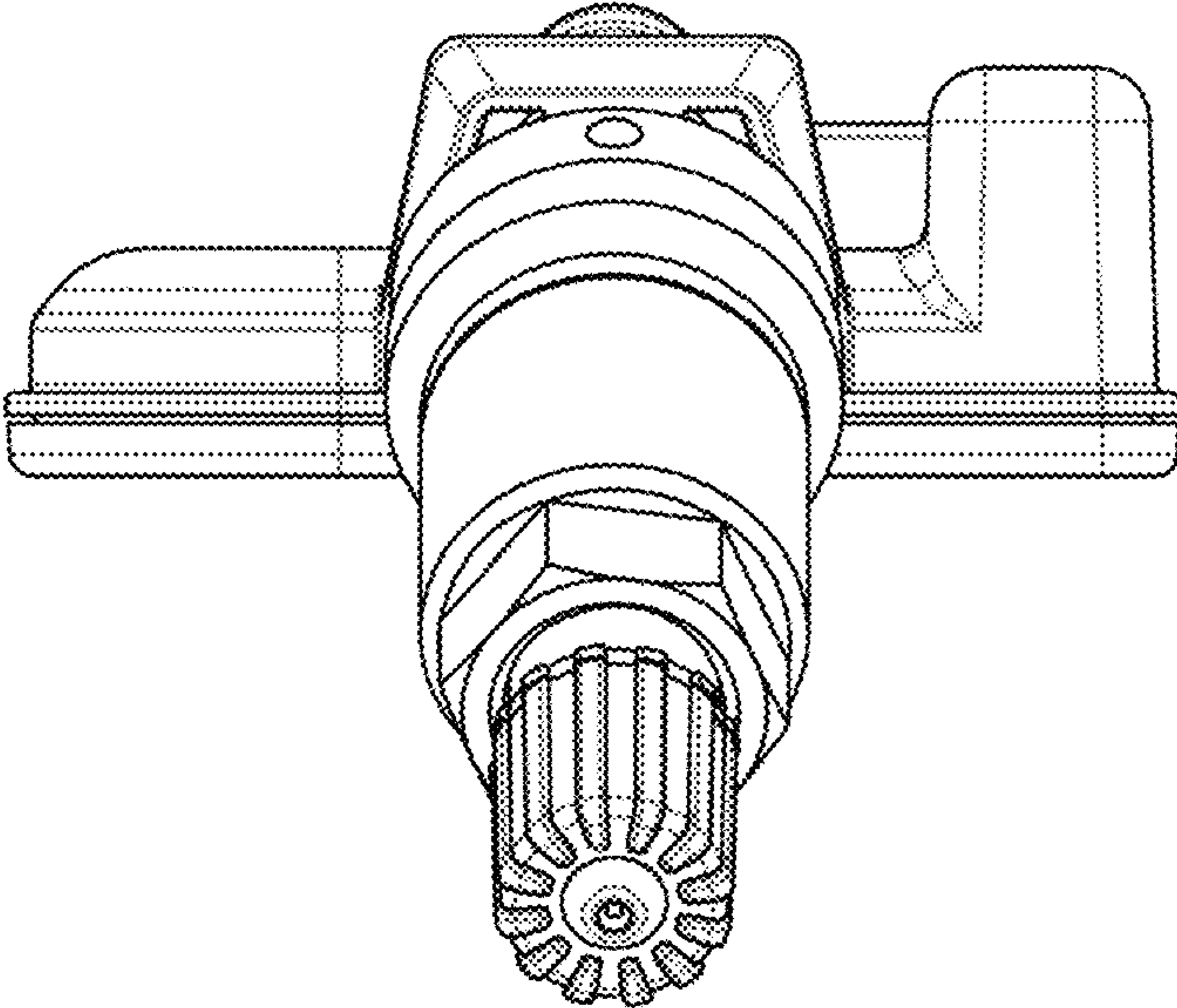


FIG. 6

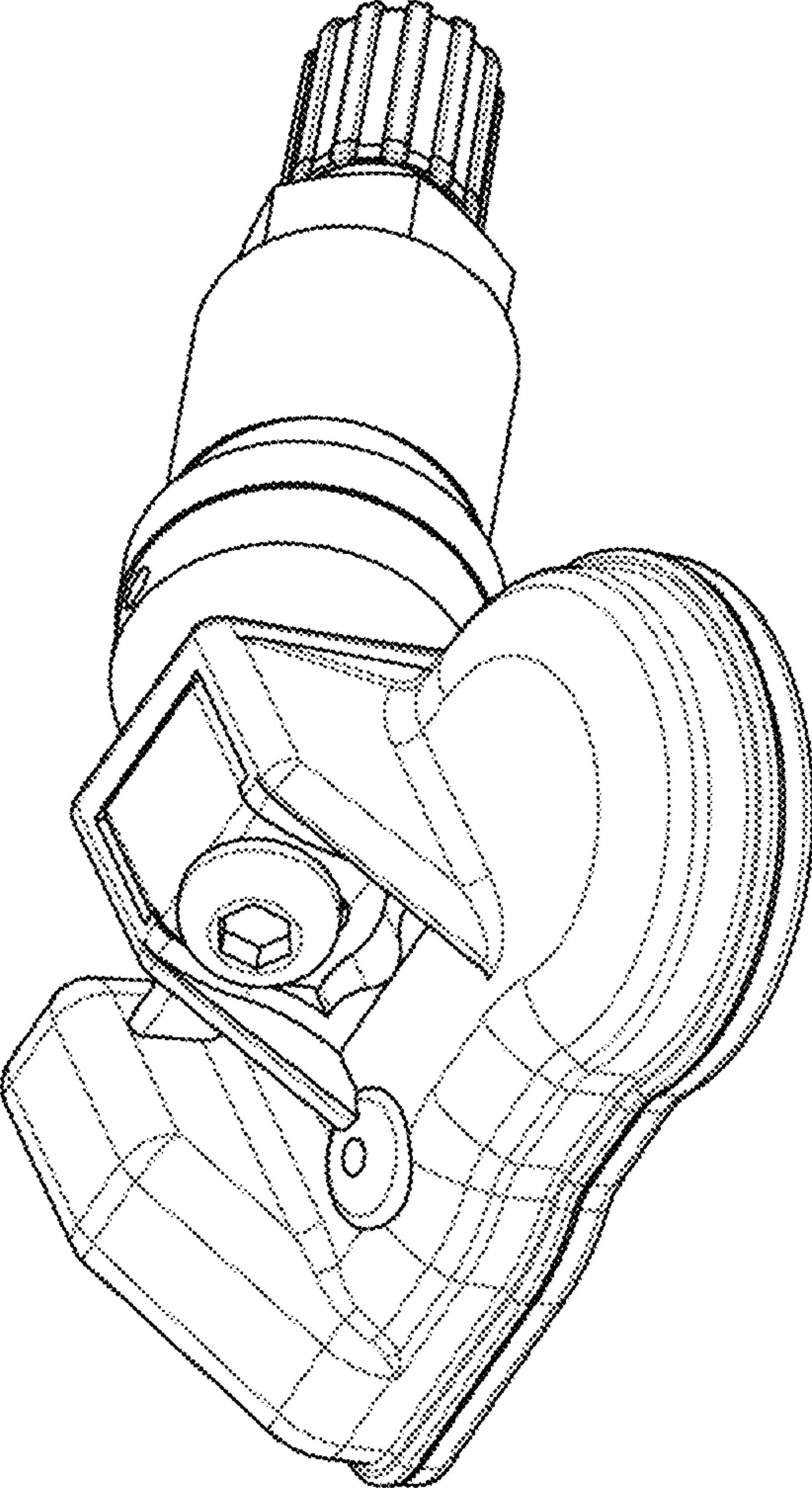


FIG. 7

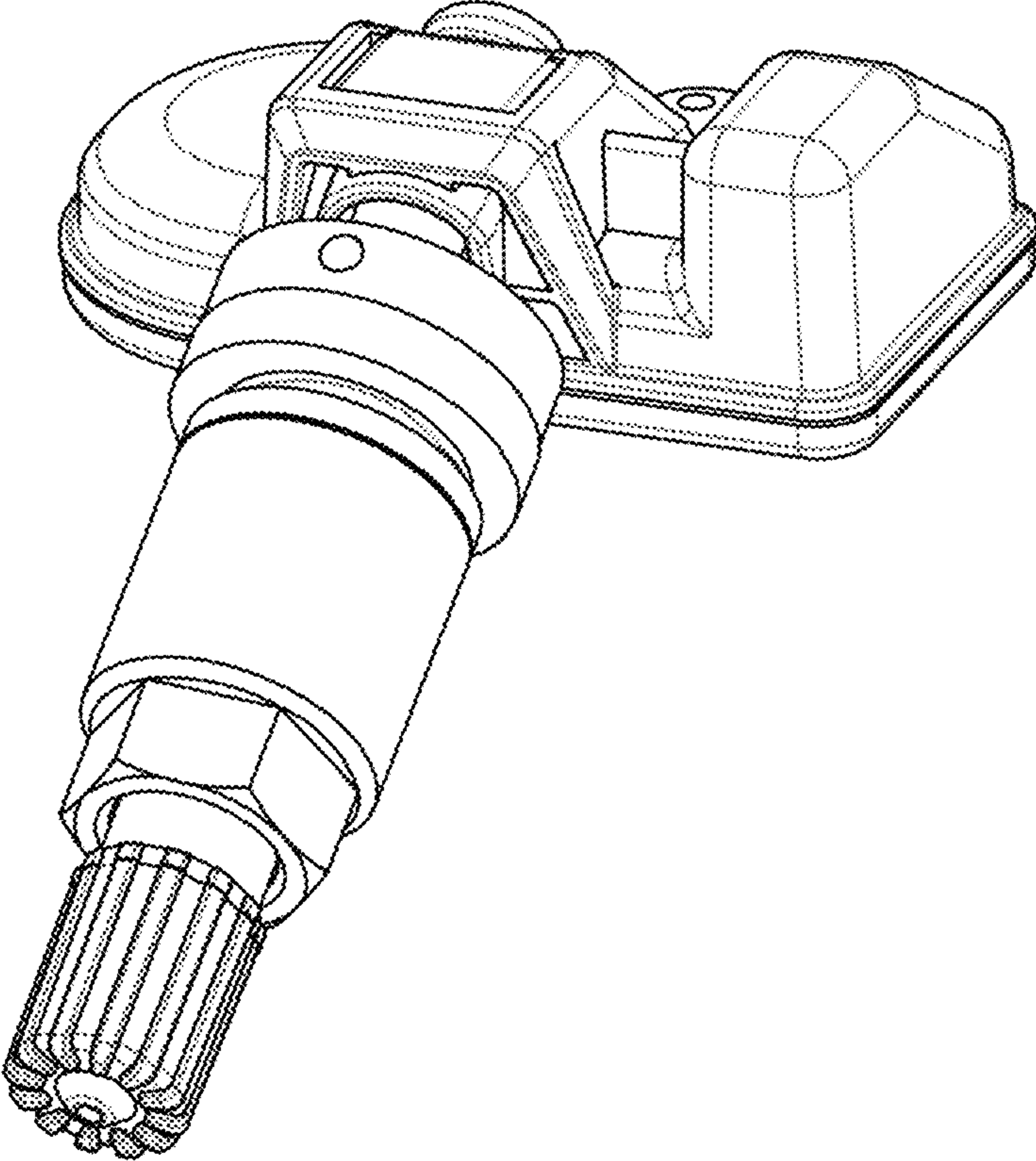


FIG.8