



US00D903515S

(12) **United States Design Patent**  
**Zhao et al.**

(10) **Patent No.:** **US D903,515 S**  
(45) **Date of Patent:** **\*\* Dec. 1, 2020**

(54) **VEHICLE FAULT DIAGNOSIS INSTRUMENT**

(71) Applicant: **AUTOPHIX TECH CO., LTD,**  
Guangdong (CN)

(72) Inventors: **Yutao Zhao,** Guangdong (CN); **Qing Huang,** Guangdong (CN); **Jian Hao,** Guangdong (CN)

(73) Assignee: **AUTOPHIX TECH CO., LTD,**  
Shenzhen (CN)

(\*\*) Term: **15 Years**

(21) Appl. No.: **29/685,571**

(22) Filed: **Mar. 29, 2019**

(51) **LOC (12) Cl.** ..... **10-04**

(52) **U.S. Cl.**  
USPC ..... **D10/78**

(58) **Field of Classification Search**  
USPC ..... **D10/78**

CPC ..... G01L 19/08; G01L 19/083; G01L 19/086;  
G01L 19/10; G01L 19/12; G01L 19/14;  
G01L 19/141; G01L 19/142; G01L  
19/143; G01L 19/144; G01L 19/45; G01L  
19/146; G01L 19/147; G01L 19/148;  
G01L 19/149; G01L 19/16; G07C 5/00;  
G07C 5/002; G07C 5/004; G07C 5/006;  
G07C 5/008; G07C 5/02; G07C 5/04;  
G07C 5/06; G07C 5/08; G07C 5/0808;  
G07C 5/0816; G07C 5/0825; G07C  
5/0833; G07C 5/0841; G07C 5/085;  
G07C 5/0858; G07C 5/0866; G07C  
5/0875; G07C 5/0883; G07C 5/0891;  
G07C 5/10

See application file for complete search history.

(56) **References Cited**

**U.S. PATENT DOCUMENTS**

D625,634 S \* 10/2010 Chen ..... D10/78  
D629,318 S \* 12/2010 Disch ..... G07C 5/0808  
D10/78

7,860,619 B2 \* 12/2010 Bertosa ..... G07C 5/0808  
340/438  
8,600,610 B2 \* 12/2013 Bertosa ..... G07C 5/008  
701/33.2  
9,014,907 B2 \* 4/2015 Lipscomb ..... G07C 5/008  
701/115  
9,275,503 B2 \* 3/2016 Chen ..... G07C 5/0808  
9,646,432 B2 \* 5/2017 Madison ..... G07C 5/085  
D806,592 S \* 1/2018 Protti ..... D10/78  
D806,593 S \* 1/2018 Sova ..... D10/78  
D837,464 S \* 1/2019 Park ..... D30/159  
D838,195 S \* 1/2019 Wu ..... D10/78  
D838,197 S \* 1/2019 Wu ..... D10/78  
D839,113 S \* 1/2019 Xie ..... D10/78  
D839,114 S \* 1/2019 Xie ..... D10/78

(Continued)

*Primary Examiner* — Antoine Duval Davis

(57) **CLAIM**

The ornamental design for a vehicle fault diagnosis instrument, as shown and described.

**DESCRIPTION**

FIG. 1 is a top, front and right side perspective view of a vehicle fault diagnosis instrument showing our new design; FIG. 2 is a bottom, rear and left side perspective view thereof;

FIG. 3 is a front elevational view thereof;

FIG. 4 is a rear elevational view thereof;

FIG. 5 is a left side view thereof;

FIG. 6 is a right side view thereof;

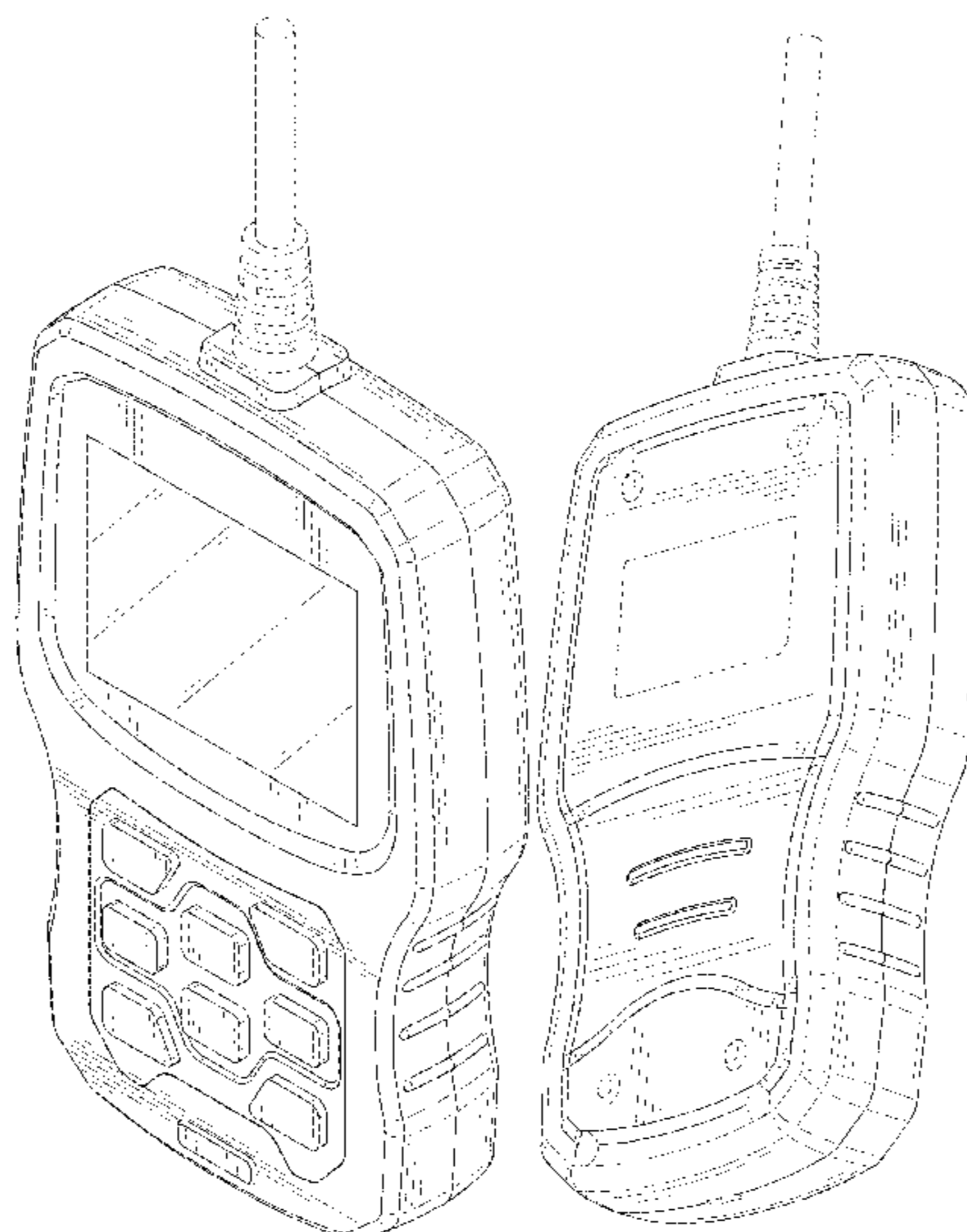
FIG. 7 is a top plan view thereof; and,

FIG. 8 is a bottom plan view thereof.

The broken lines are for illustrative purposes only and form no part of the claimed design.

The diagonal lines indicate transparency.

**1 Claim, 8 Drawing Sheets**



(56)

**References Cited**

U.S. PATENT DOCUMENTS

D851,515 S \* 6/2019 Zhao ..... D10/78  
D852,073 S \* 6/2019 Zhao ..... D10/78

\* cited by examiner

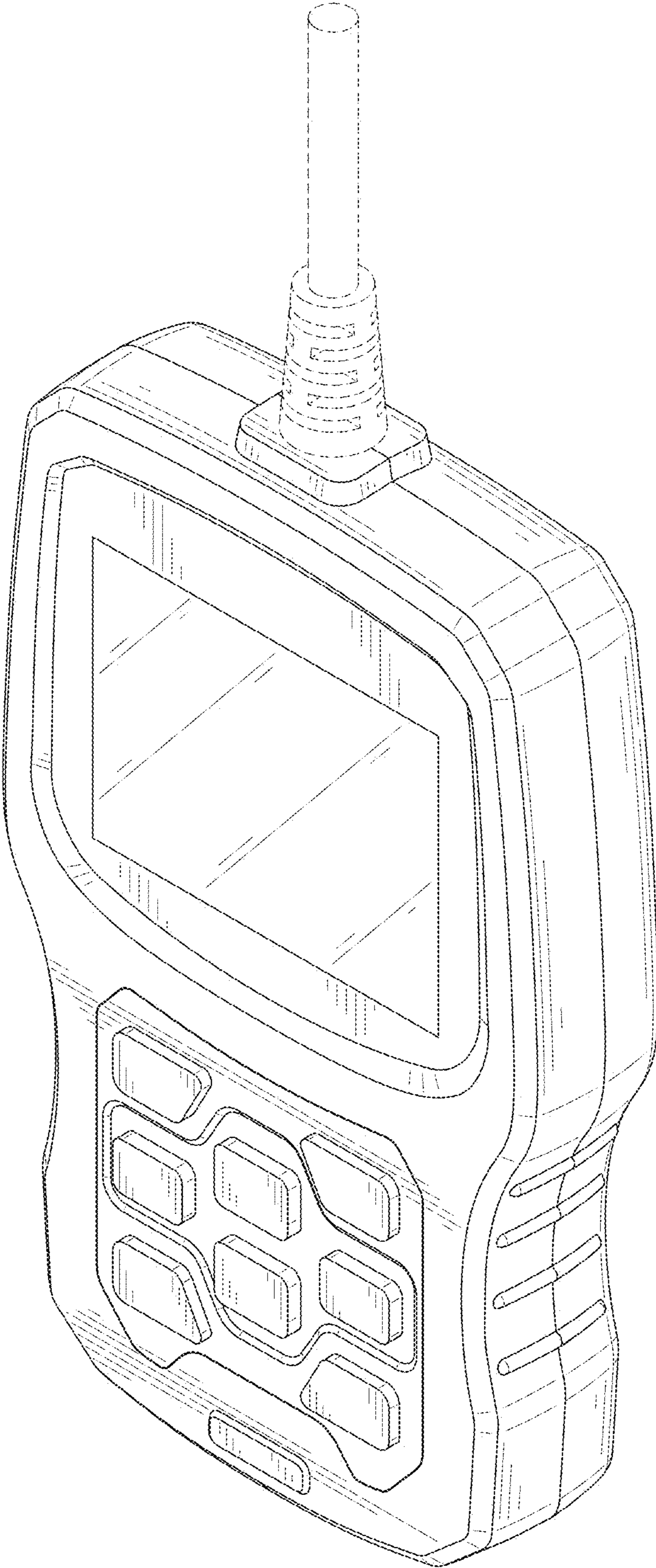


FIG. 1

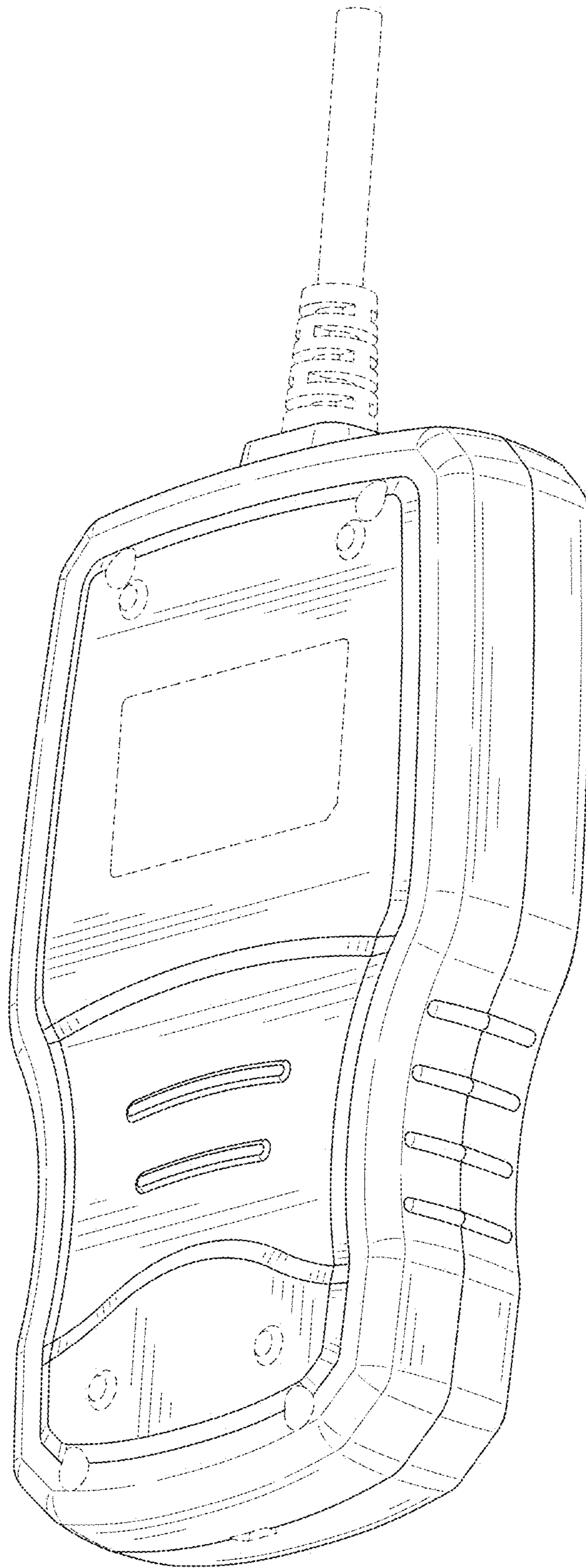


FIG. 2

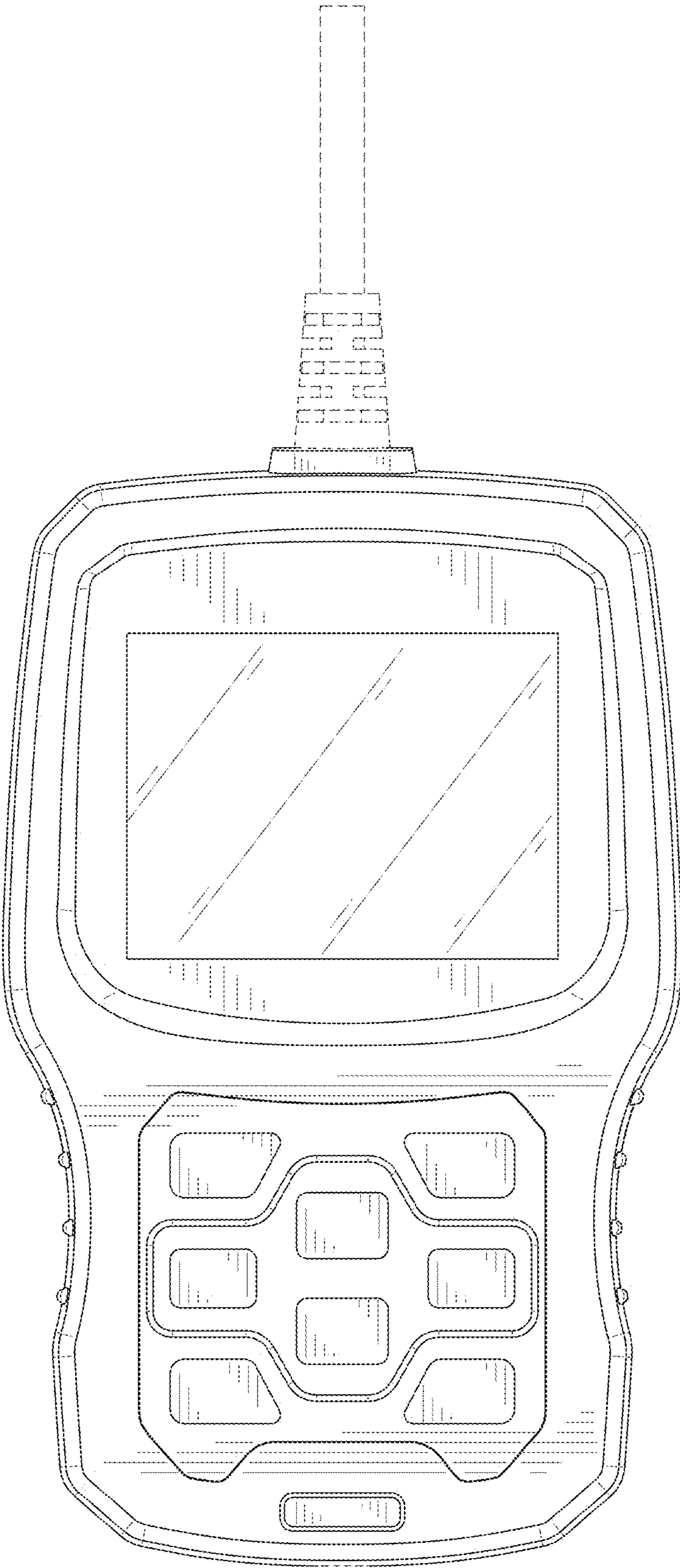


FIG. 3

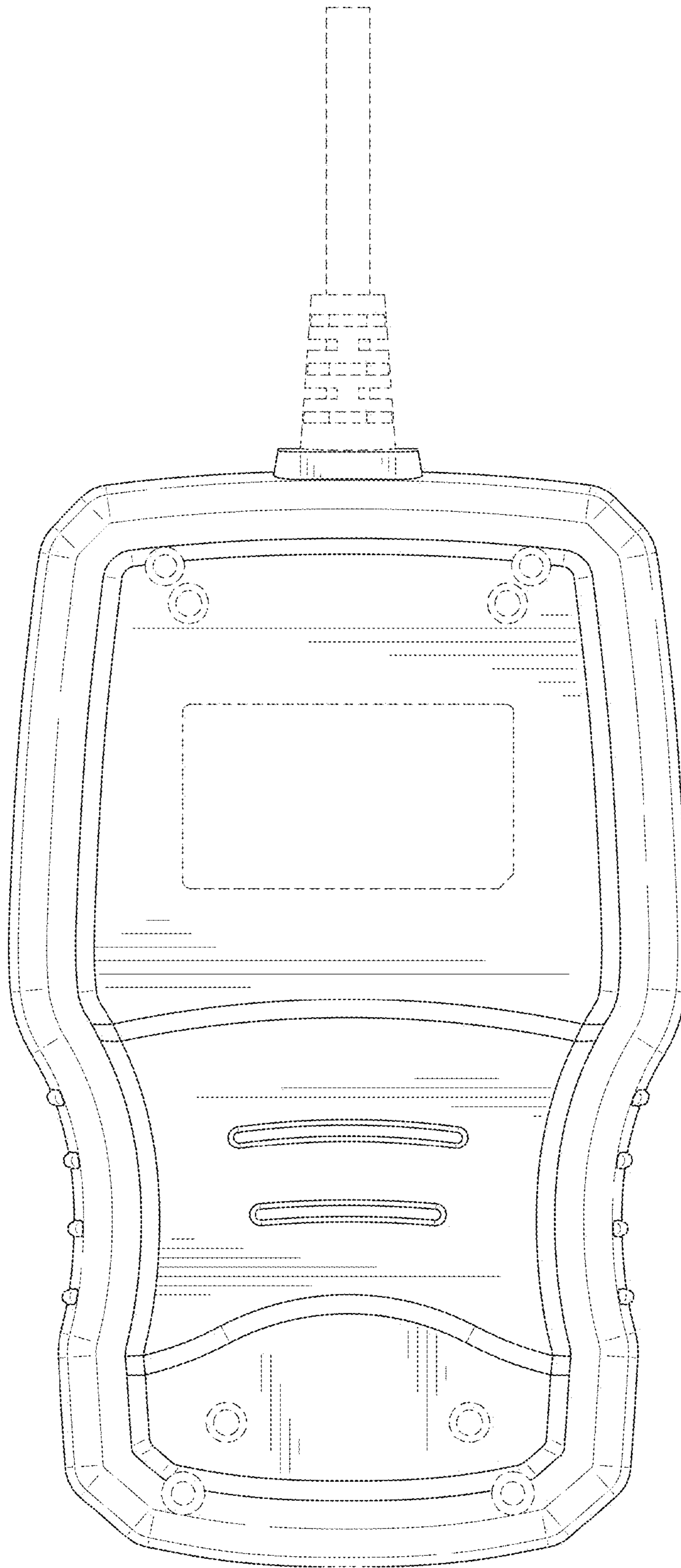


FIG. 4

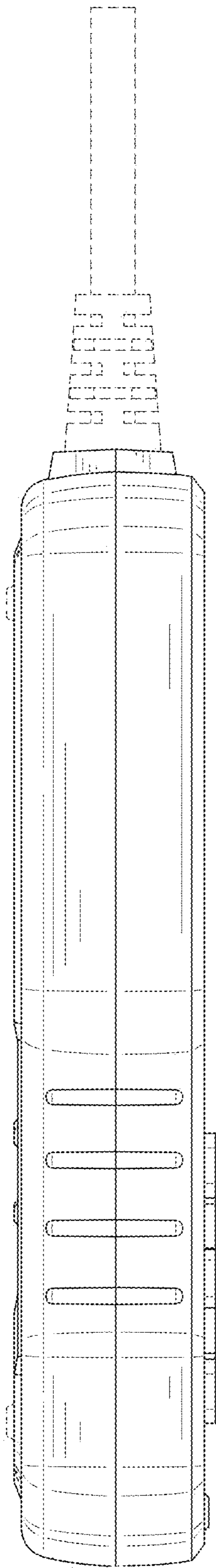


FIG. 5

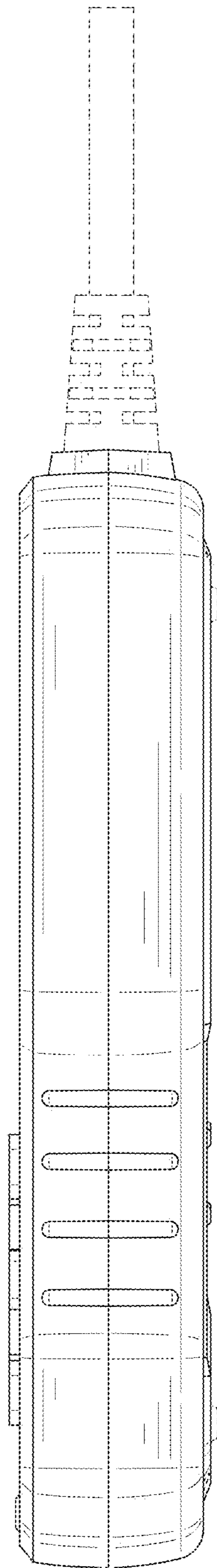


FIG. 6



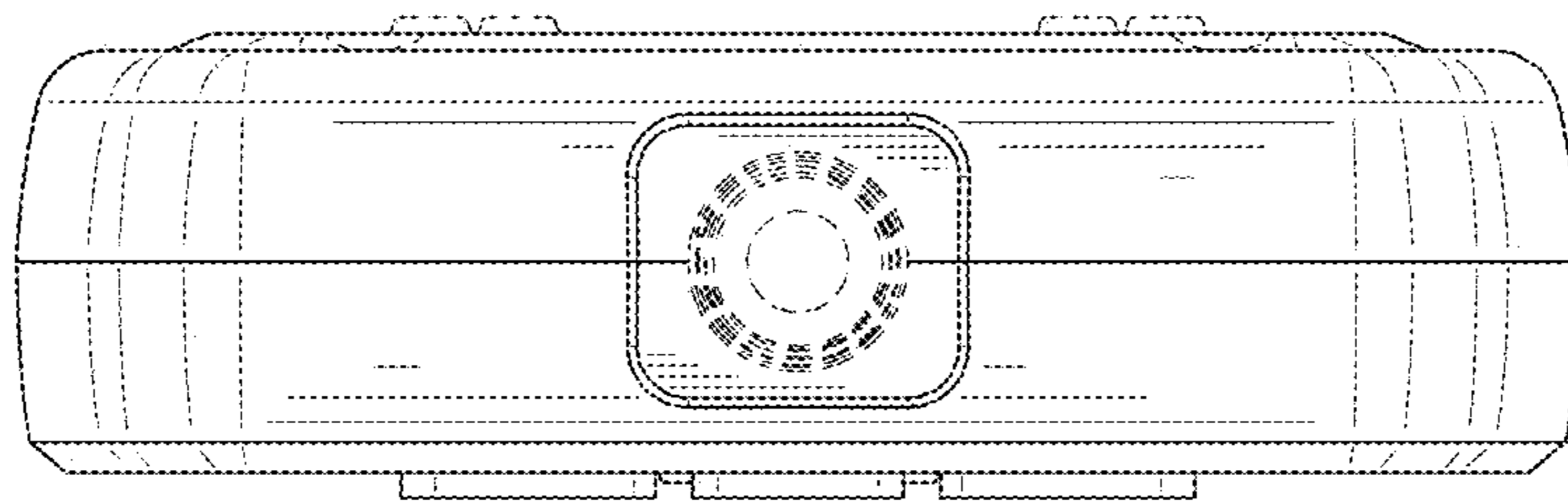


FIG. 7

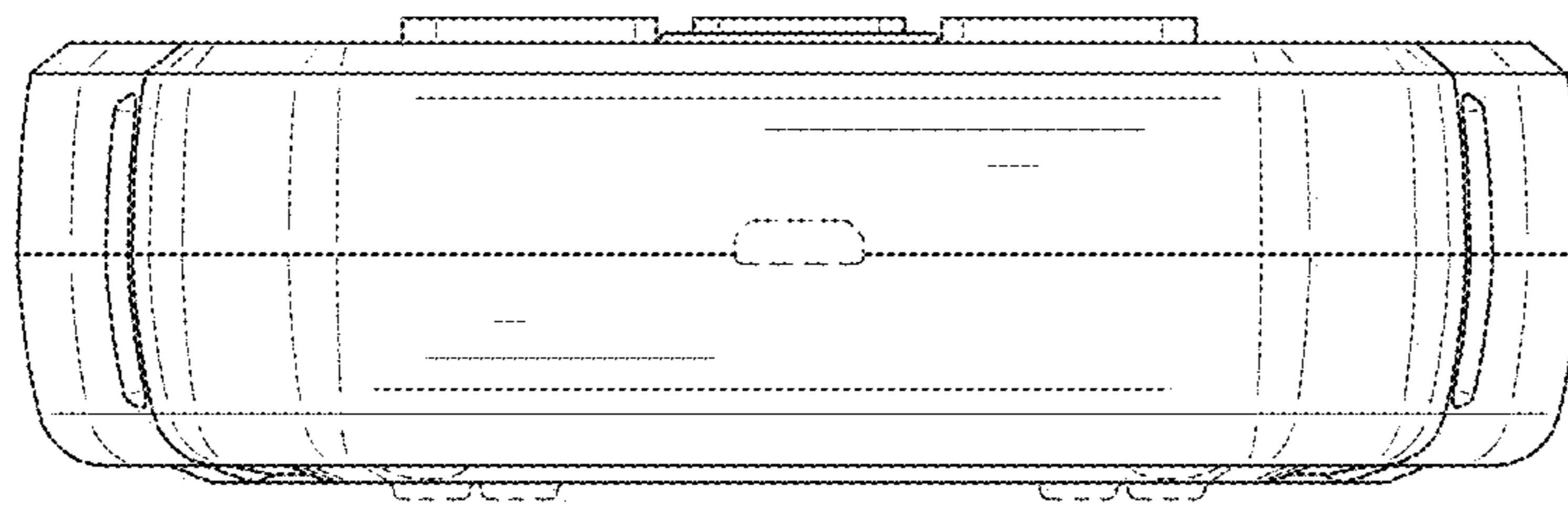


FIG. 8