



US00D903514S

(12) **United States Design Patent**  
**Fu**

(10) **Patent No.:** **US D903,514 S**

(45) **Date of Patent:** **\*\* Dec. 1, 2020**

(54) **MULTIFUNCTION CONTOUR GAUGE WITH LOCK**

(71) Applicant: **Hongxing Fu**, Zhejiang (CN)

(72) Inventor: **Hongxing Fu**, Zhejiang (CN)

(\*\*) Term: **15 Years**

(21) Appl. No.: **29/741,040**

(22) Filed: **Jul. 9, 2020**

(51) **LOC (12) Cl.** ..... **10-04**

(52) **U.S. Cl.**  
USPC ..... **D10/65**

(58) **Field of Classification Search**

USPC ..... D8/99, 100, 105; D10/65  
CPC ..... B28D 1/22; B28D 1/223; B28D 1/225;  
B28D 1/228; B28D 7/00; B28D 7/04;  
B28D 7/043; E04F 21/0076; E04F 21/18;  
E04F 21/20; Y10S 33/20; B43L 7/027;  
G01B 3/04

See application file for complete search history.

(56) **References Cited**

**U.S. PATENT DOCUMENTS**

D132,309 S 5/1942 Bermond  
D371,857 S 7/1996 Gismondi

9,308,671 B2 \* 4/2016 Baro Cabrero ..... B28D 1/225  
9,808,962 B2 \* 11/2017 Moog ..... B28D 1/225  
10,525,612 B2 \* 1/2020 Soler Balcells ..... B43L 7/027  
D884,501 S \* 5/2020 Lei ..... D10/65  
D885,212 S \* 5/2020 Fu ..... D10/65

\* cited by examiner

*Primary Examiner* — Antoine Duval Davis

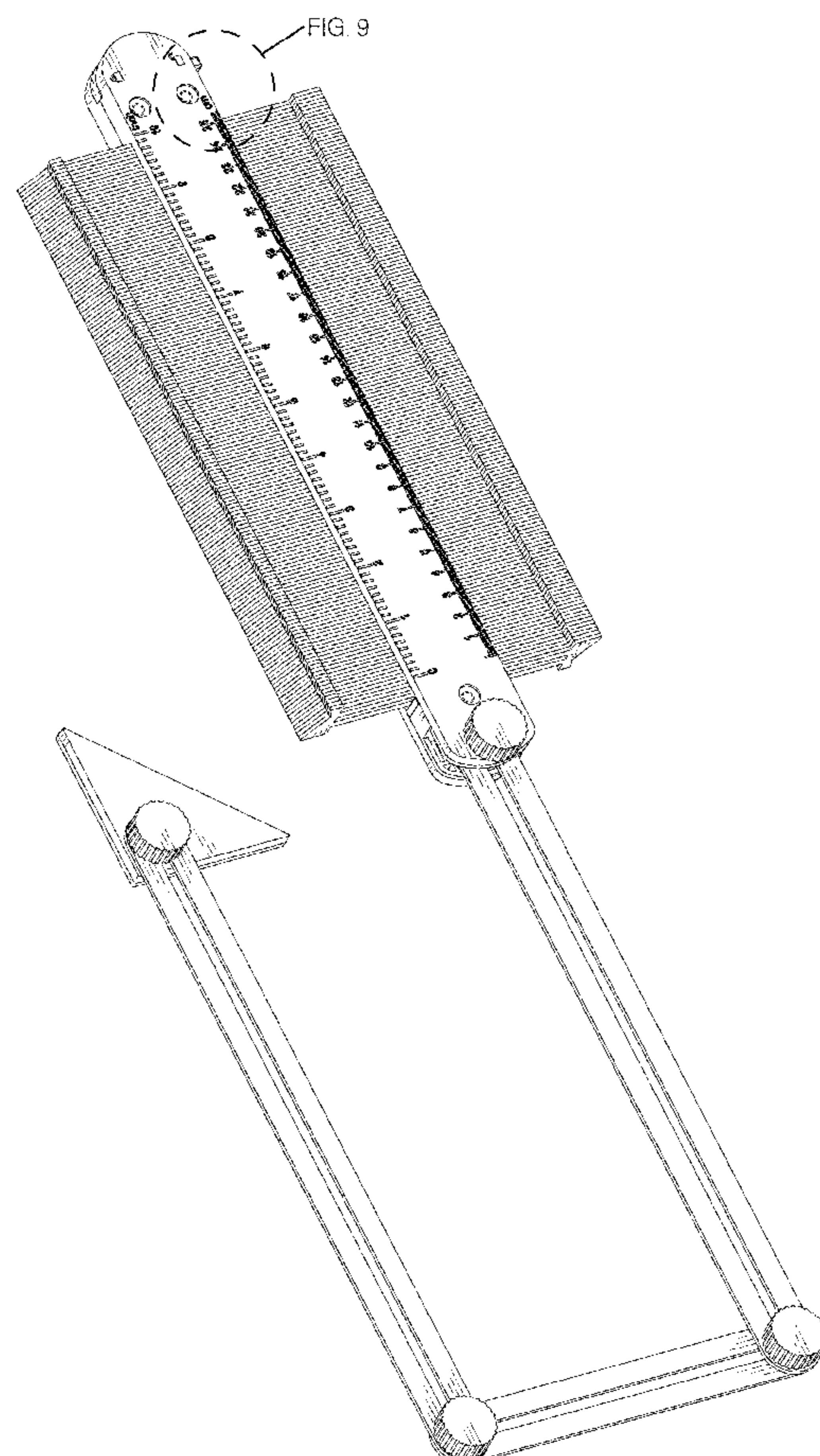
(57) **CLAIM**

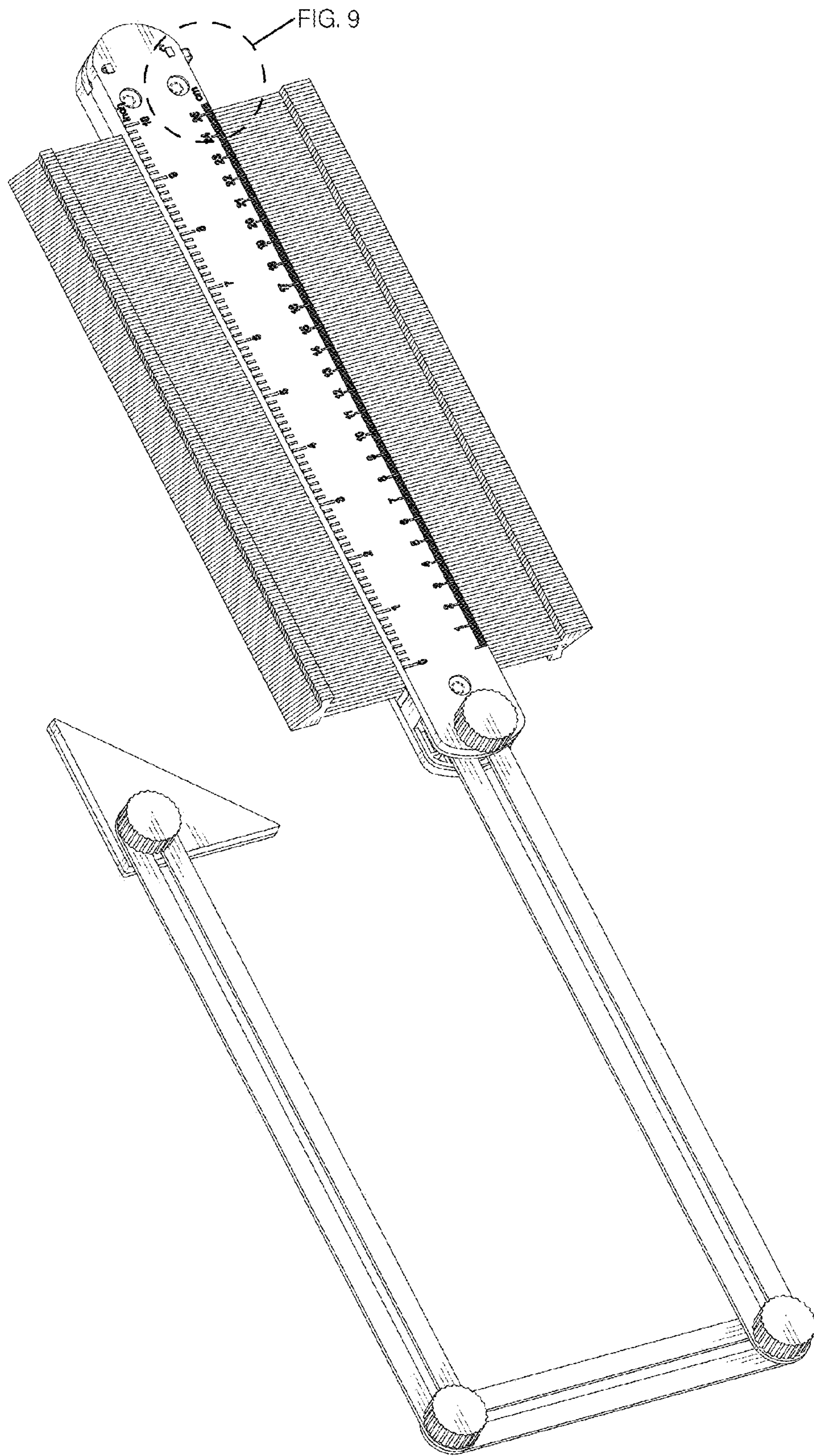
The ornamental design for a multifunction contour gauge with lock, as shown and described.

**DESCRIPTION**

FIG. 1 is a perspective view of a multifunction contour gauge with lock showing my new design; FIG. 2 is a front elevational view thereof; FIG. 3 is a rear elevational view thereof; FIG. 4 is a left side elevational view thereof; FIG. 5 is a right side elevational view thereof; FIG. 6 is a top plan view thereof; FIG. 7 is a bottom plan view thereof; FIG. 8 is another perspective view thereof; and, FIG. 9 is an enlarged view thereof.

**1 Claim, 9 Drawing Sheets**







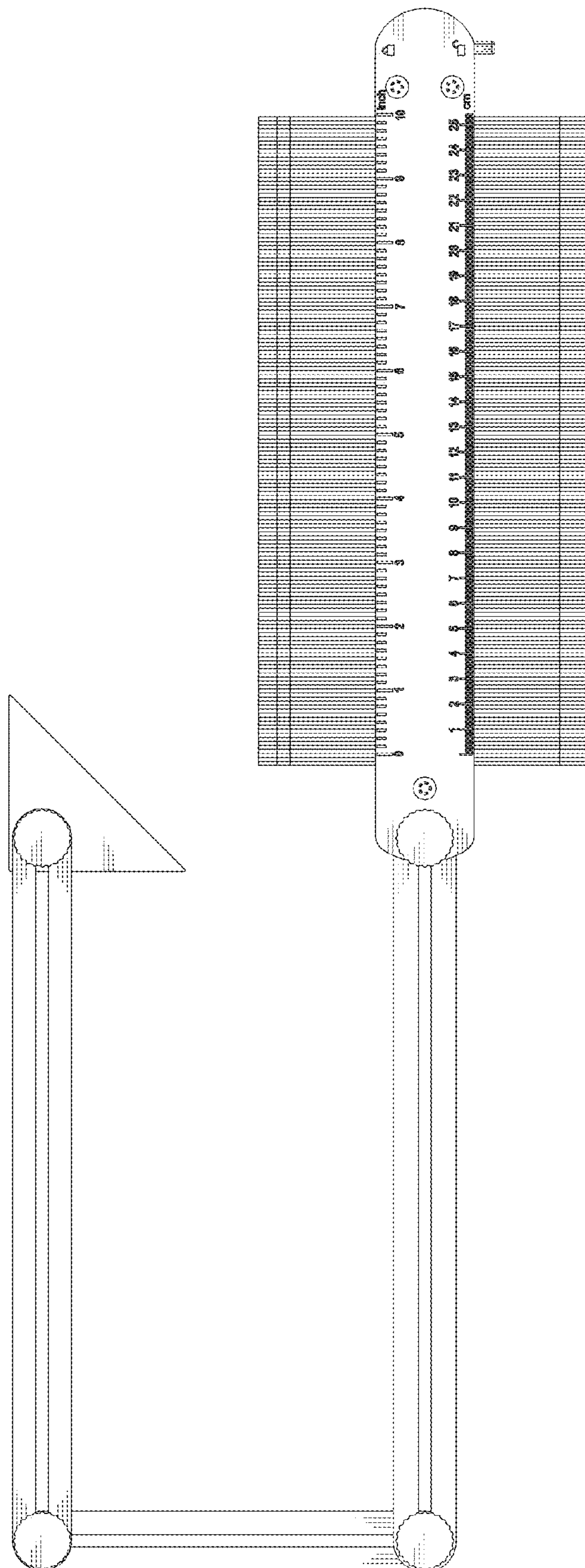


FIG. 2

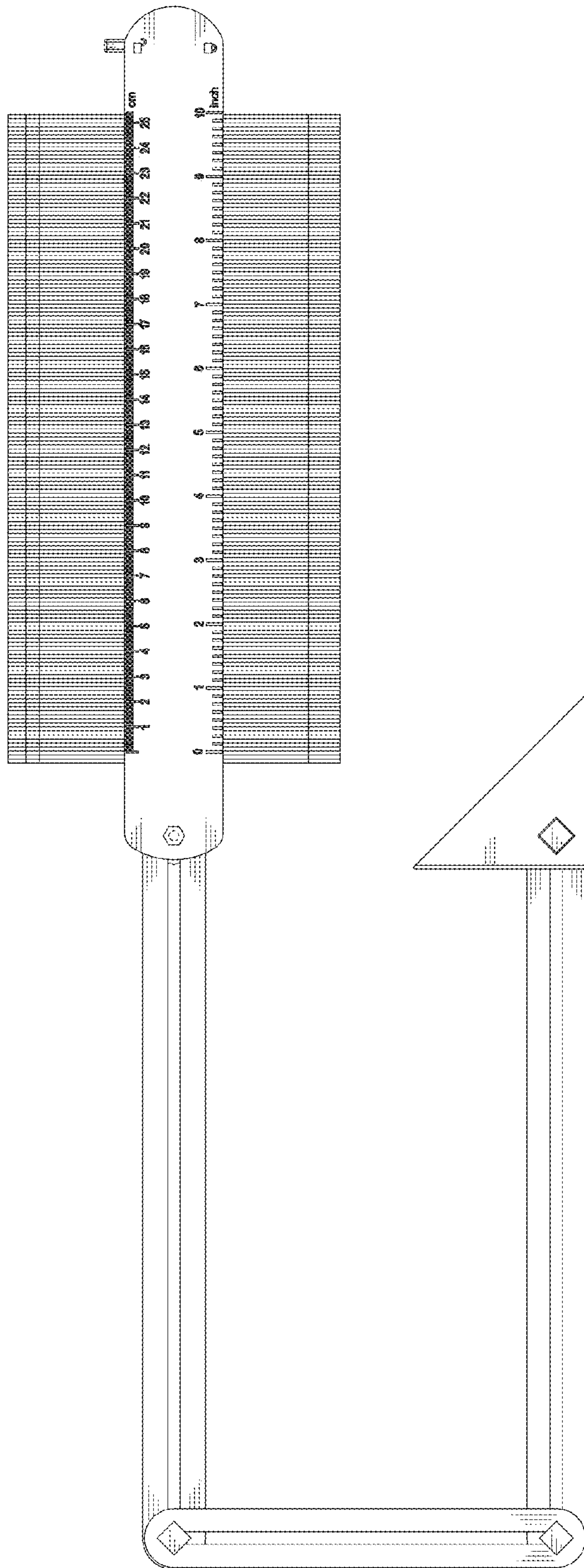


FIG.3

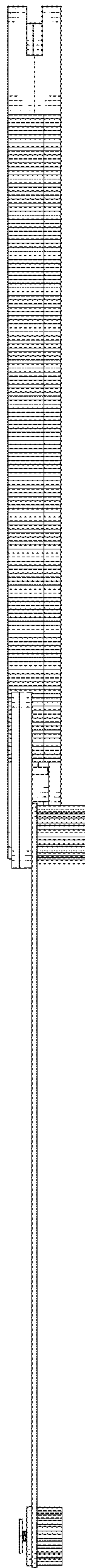


FIG.4

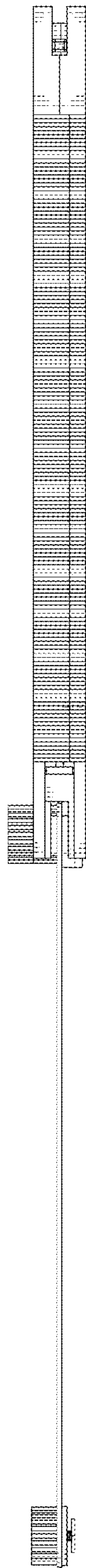


FIG.5

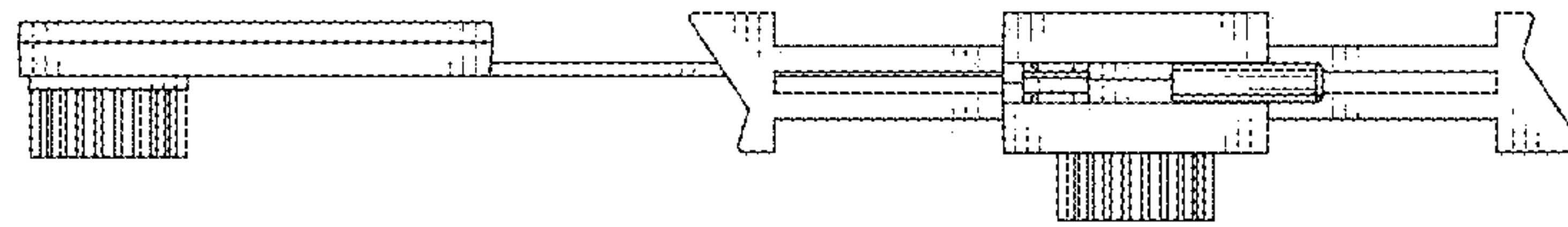


FIG.6

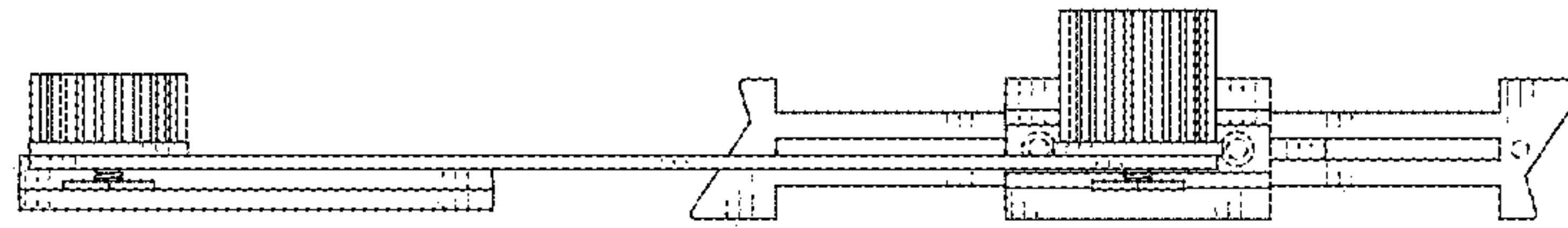


FIG.7



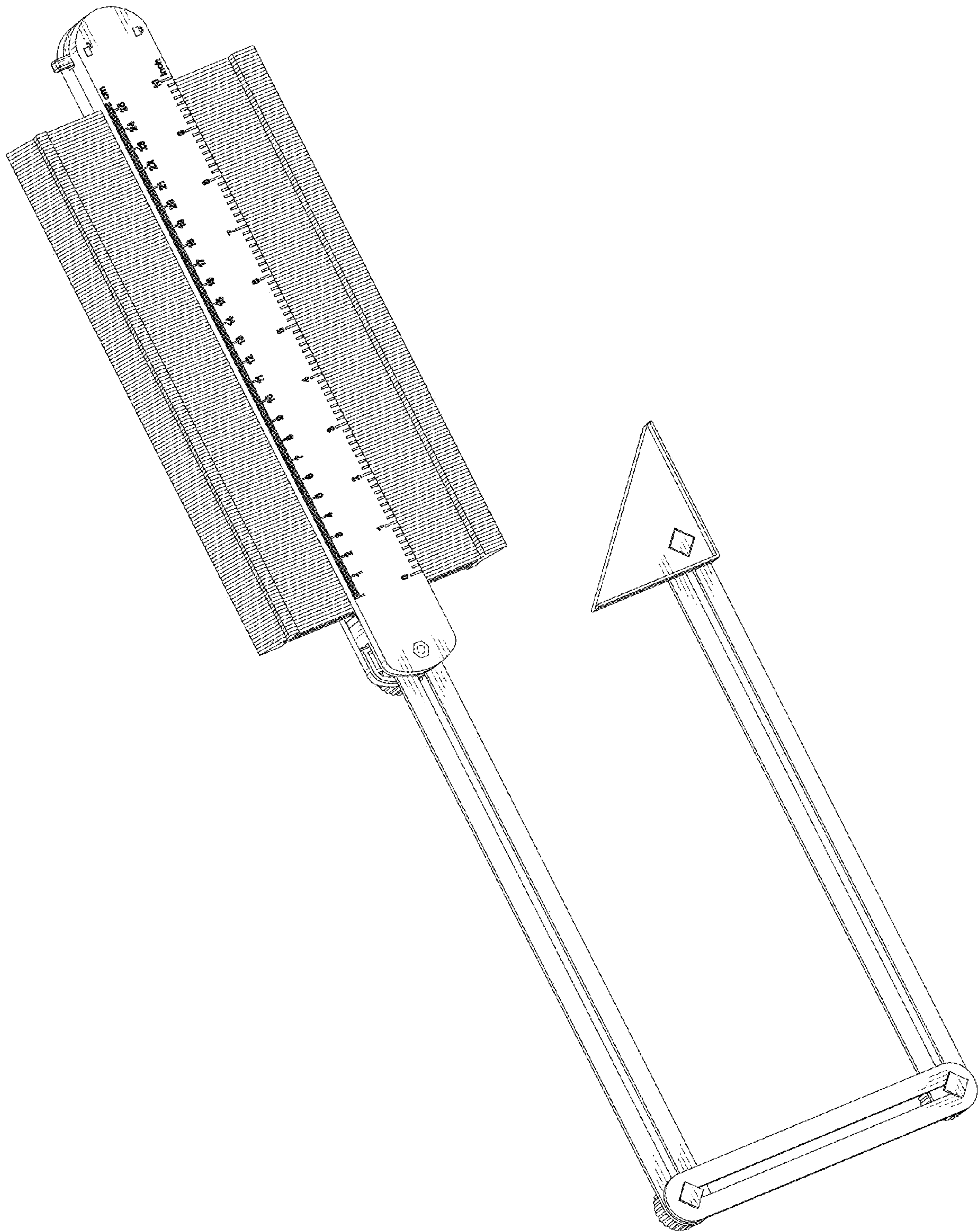


FIG.8

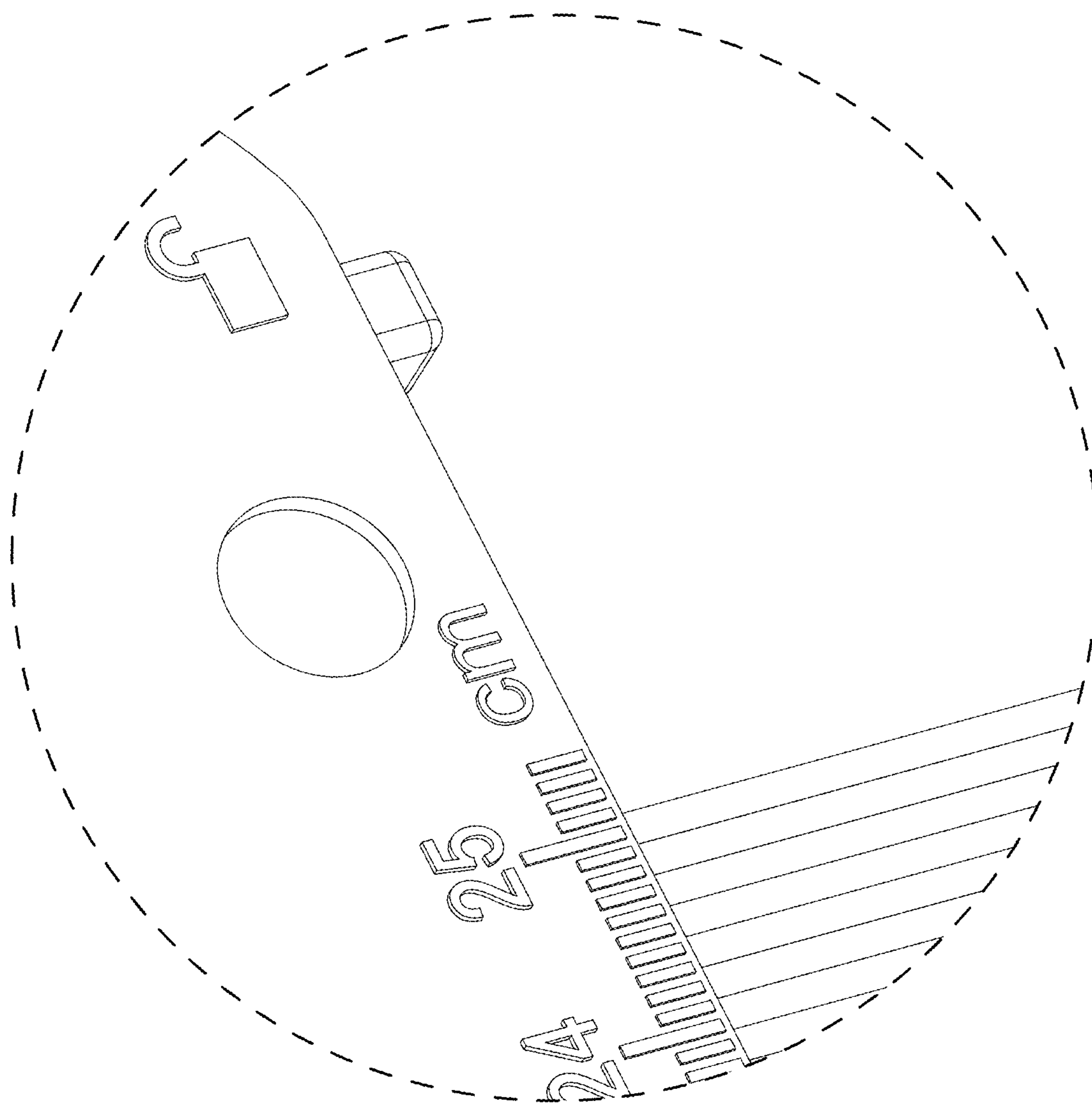


FIG.9