



US00D903511S

(12) **United States Design Patent** (10) **Patent No.:** **US D903,511 S**
Qian (45) **Date of Patent:** **** Dec. 1, 2020**

(54) **WATCH**
(71) Applicant: **Cartier International AG**, Steinhausen (CH)
(72) Inventor: **Jianghong Qian**, Versoix (CH)
(73) Assignee: **Cartier International AG**, Steinhausen (CH)
(**) Term: **15 Years**
(21) Appl. No.: **29/693,833**
(22) Filed: **Jun. 5, 2019**

D625,618 S * 10/2010 Chastaingt D10/38
D628,502 S * 12/2010 Hayek D10/39
D635,869 S * 4/2011 Hayek D10/38
D716,154 S * 10/2014 Harada D10/32
D717,180 S * 11/2014 Giannini D10/32
D727,178 S * 4/2015 Abdourahim D10/39
D743,277 S * 11/2015 Riviere D10/32
D753,009 S * 4/2016 Yatsugi-Kang D11/16
D766,745 S * 9/2016 Abdourahim D10/30
D769,738 S * 10/2016 Dominguez D10/30
D780,017 S * 2/2017 Yatsugi-Kang D11/34
D780,034 S * 2/2017 Kwon D11/40
D800,581 S * 10/2017 Valzan D10/30
D806,580 S * 1/2018 Harada D10/30
D828,183 S * 9/2018 Dominguez D10/2
D848,892 S * 5/2019 Amfitheatrof D11/1
D862,253 S * 10/2019 Monachon D10/39

(Continued)

(30) **Foreign Application Priority Data**

Dec. 6, 2018 (WO) 970003848

(51) **LOC (12) Cl.** **10-02**

(52) **U.S. Cl.**
USPC **D10/39**

(58) **Field of Classification Search**
USPC D10/30-39, 125; D11/3, 16, 56, 86, 89
CPC G04B 19/04; G04B 19/06; G04B 19/08;
G04B 19/085; G04B 19/10; G04B
19/103; G04B 19/106; G04B 19/12;
G04B 37/1486; G04B 39/002; G04B
39/004; G04B 39/006; G04B 45/0061;
G04B 45/0069; G04B 45/0076; G04B
47/04; G04B 47/042; G04B 47/00
See application file for complete search history.

(56) **References Cited**

U.S. PATENT DOCUMENTS

D79,166 S * 8/1929 Roth D10/39
D510,708 S * 10/2005 Ikeuchi D10/32
D595,174 S * 6/2009 Hardy D11/11
D599,683 S * 9/2009 Rabassa D10/39
D599,684 S * 9/2009 Chastaingt D10/39

Primary Examiner — Sandra Snapp
Assistant Examiner — Katherine Glennon
(74) *Attorney, Agent, or Firm* — Taft Stettinius & Hollister LLP

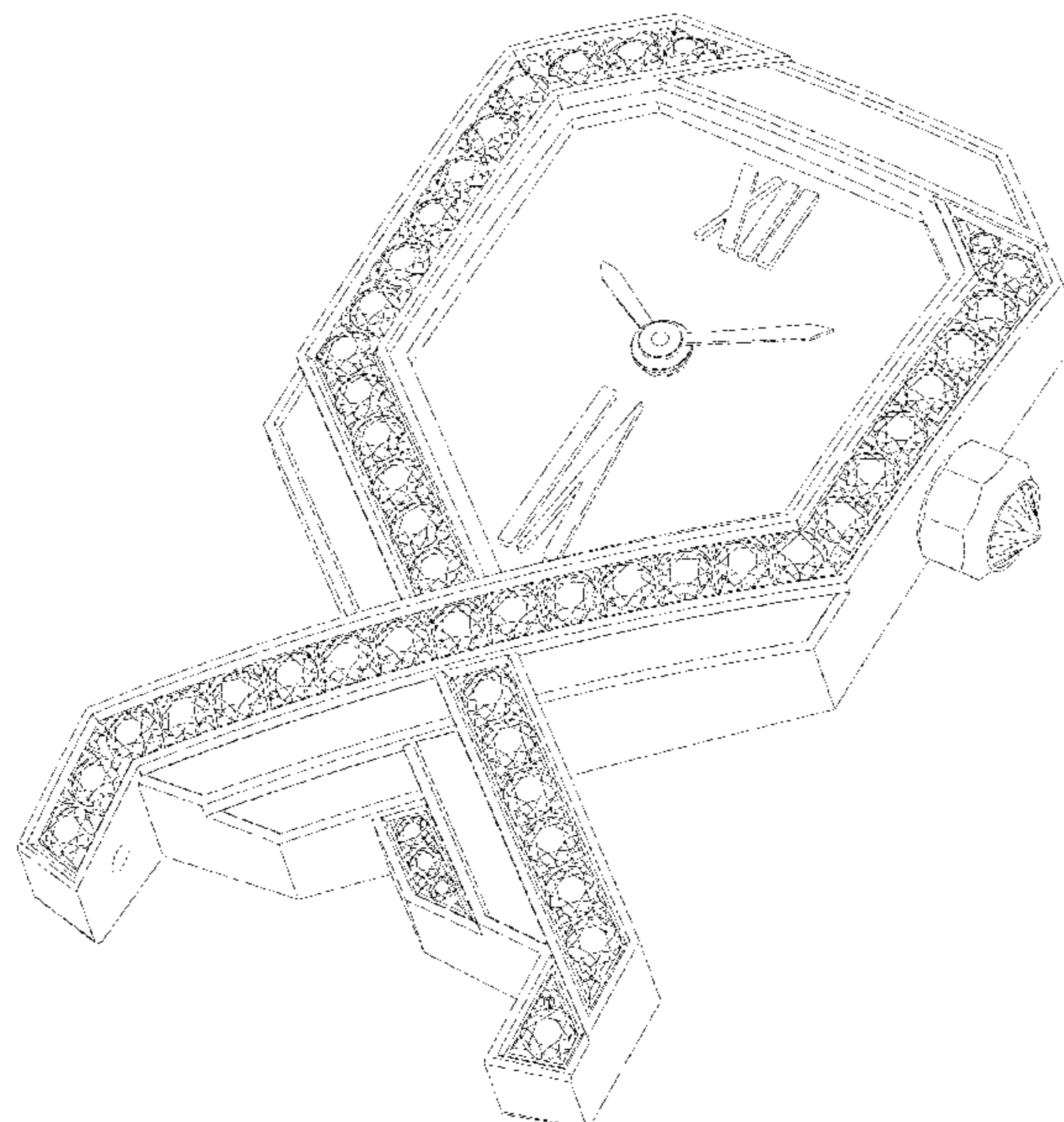
(57) **CLAIM**

The ornamental design for a watch, as shown and described.

DESCRIPTION

FIG. 1 is a front elevational view of a watch showing my new design;
FIG. 2 is a back elevational view thereof;
FIG. 3 is a right side elevational view thereof;
FIG. 4 is a left side elevational thereof;
FIG. 5 is a bottom plan view thereof;
FIG. 6 is a top plan view thereof;
FIG. 7 is a front, bottom, right side perspective view thereof;
and,
FIG. 8 is a back, bottom, left side perspective view thereof.
The broken lines in the drawings depict portions of the watch that form no part of the claimed design.

1 Claim, 8 Drawing Sheets



(56)

References Cited

U.S. PATENT DOCUMENTS

D877,639 S * 3/2020 Qian D10/126
D880,317 S * 4/2020 De Castellane D10/39

* cited by examiner

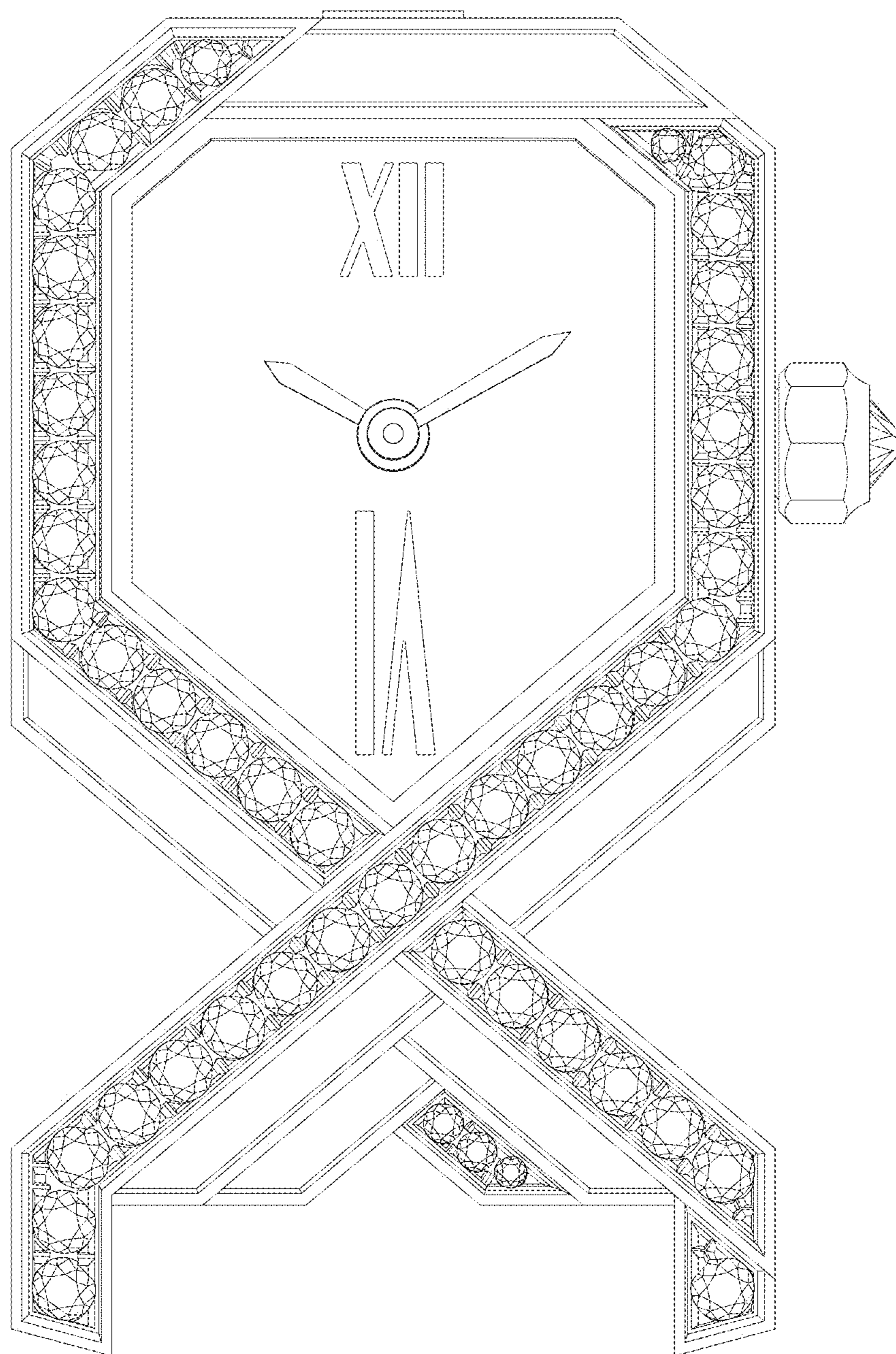


Fig. 1

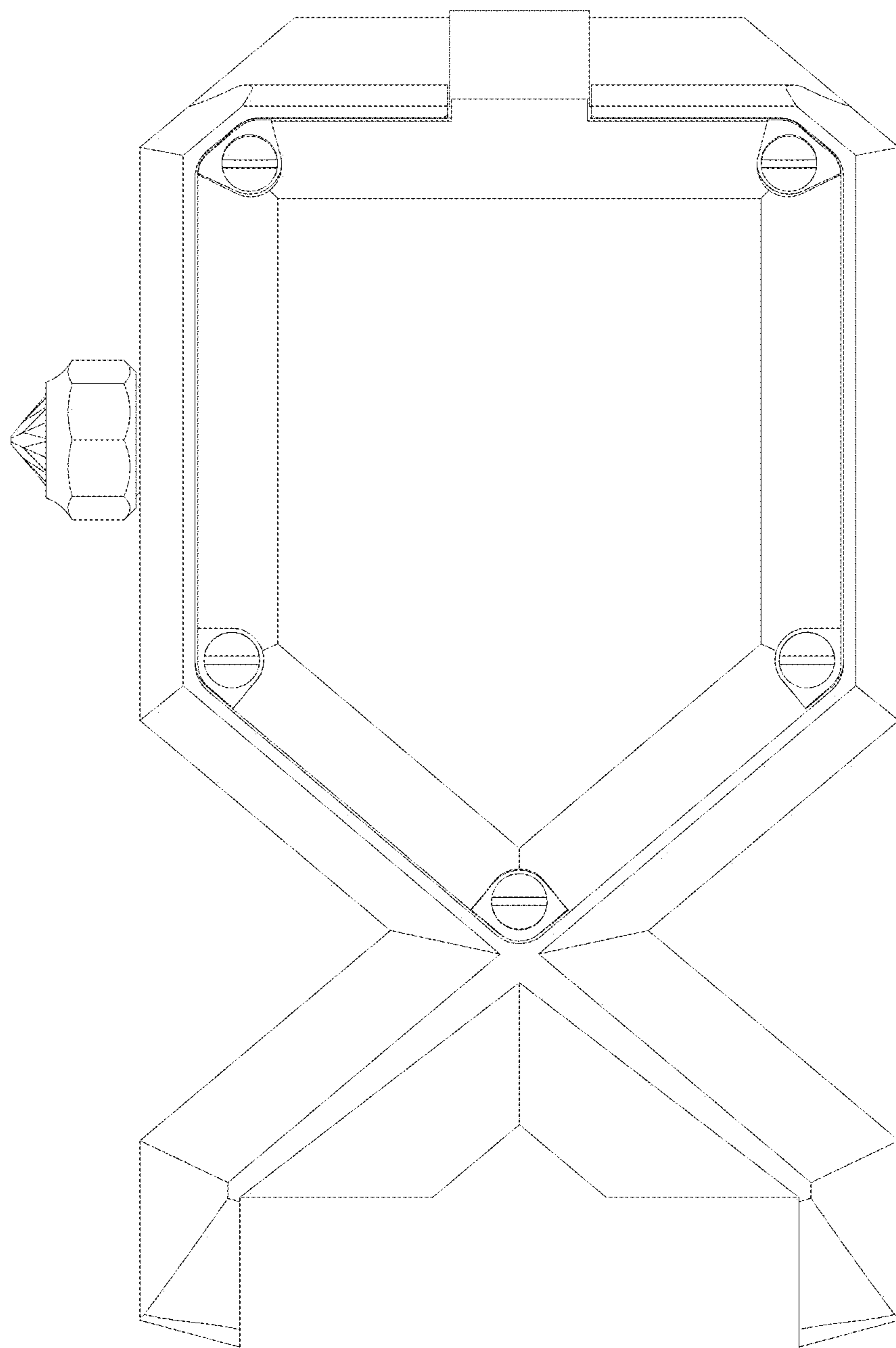


Fig. 2

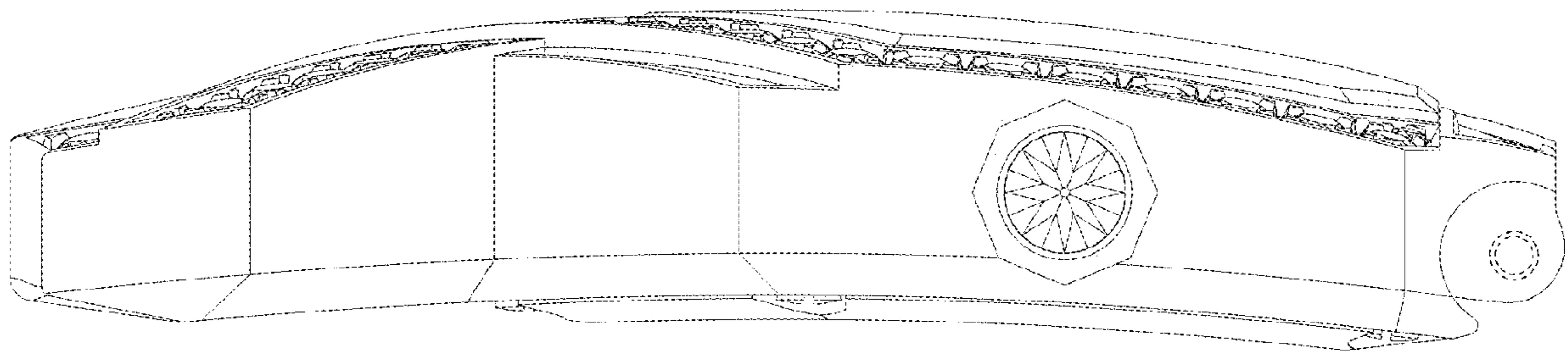


Fig. 3

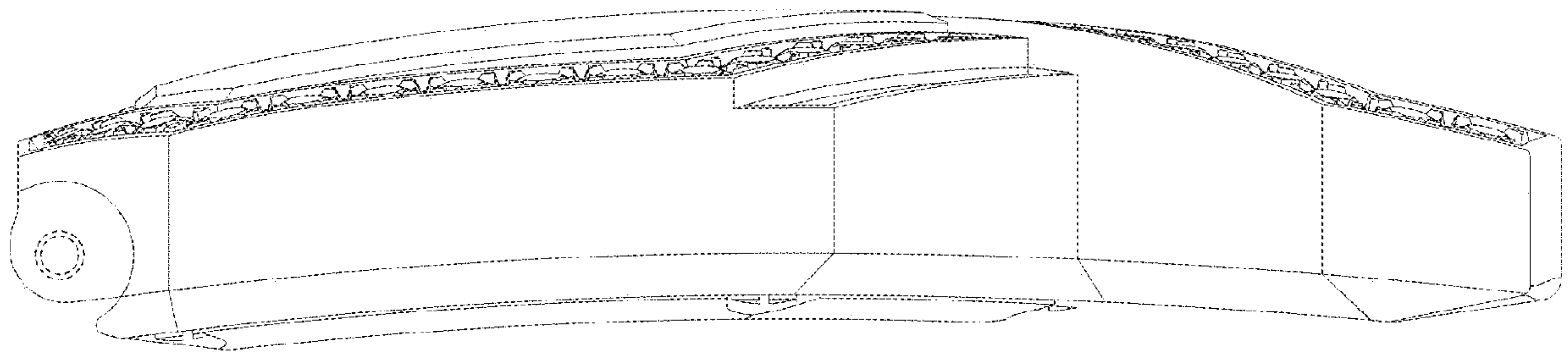


Fig. 4

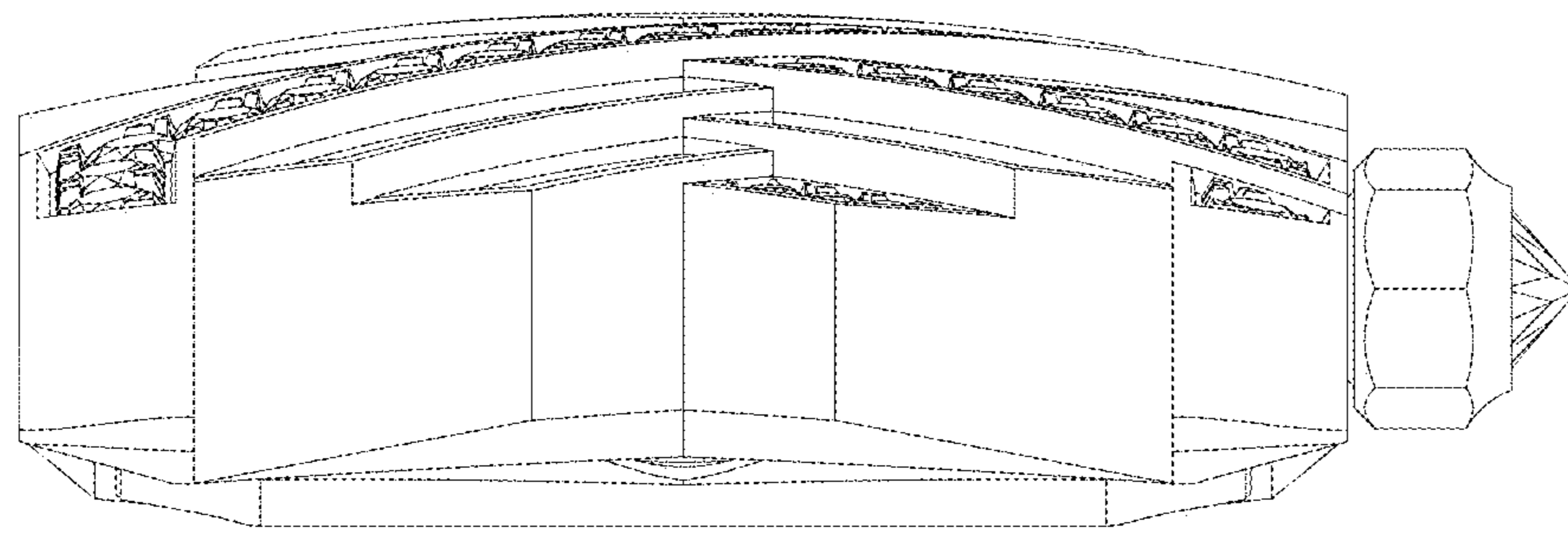


Fig. 5

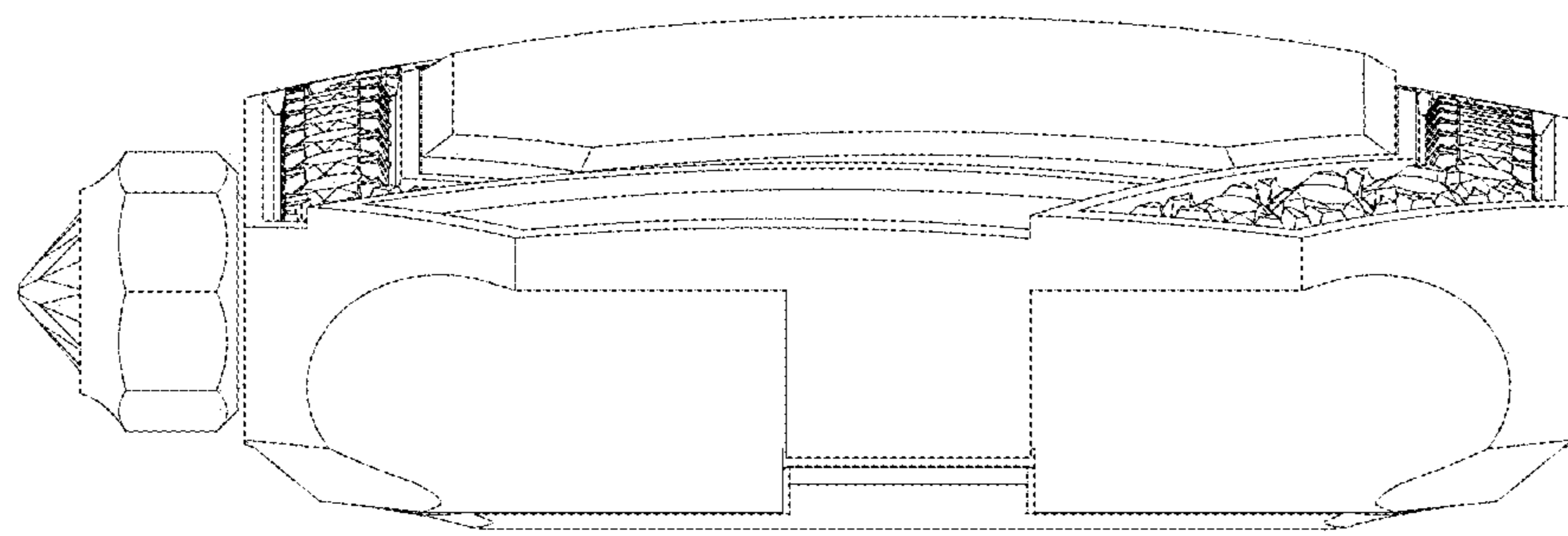


Fig. 6

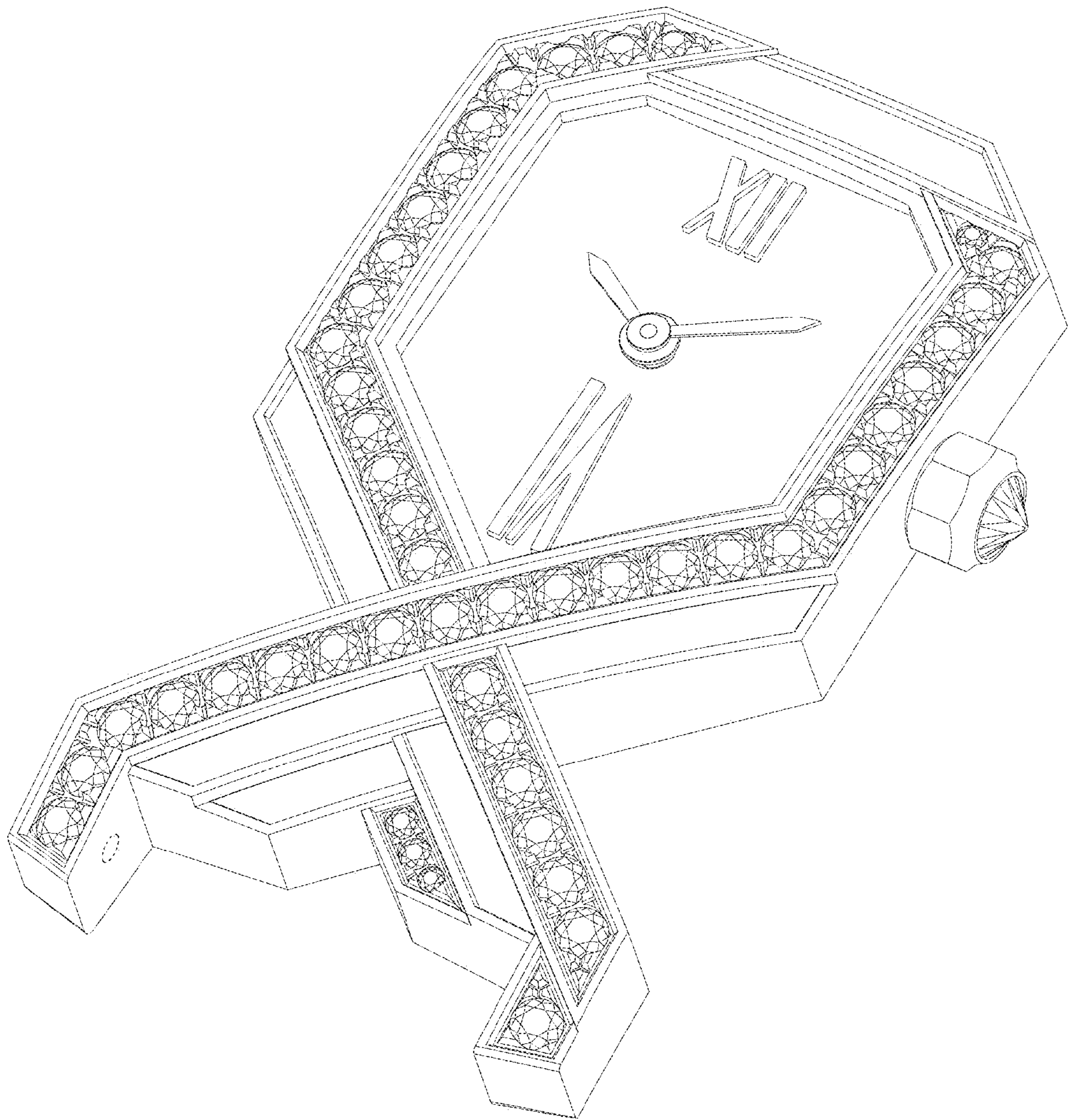


Fig. 7

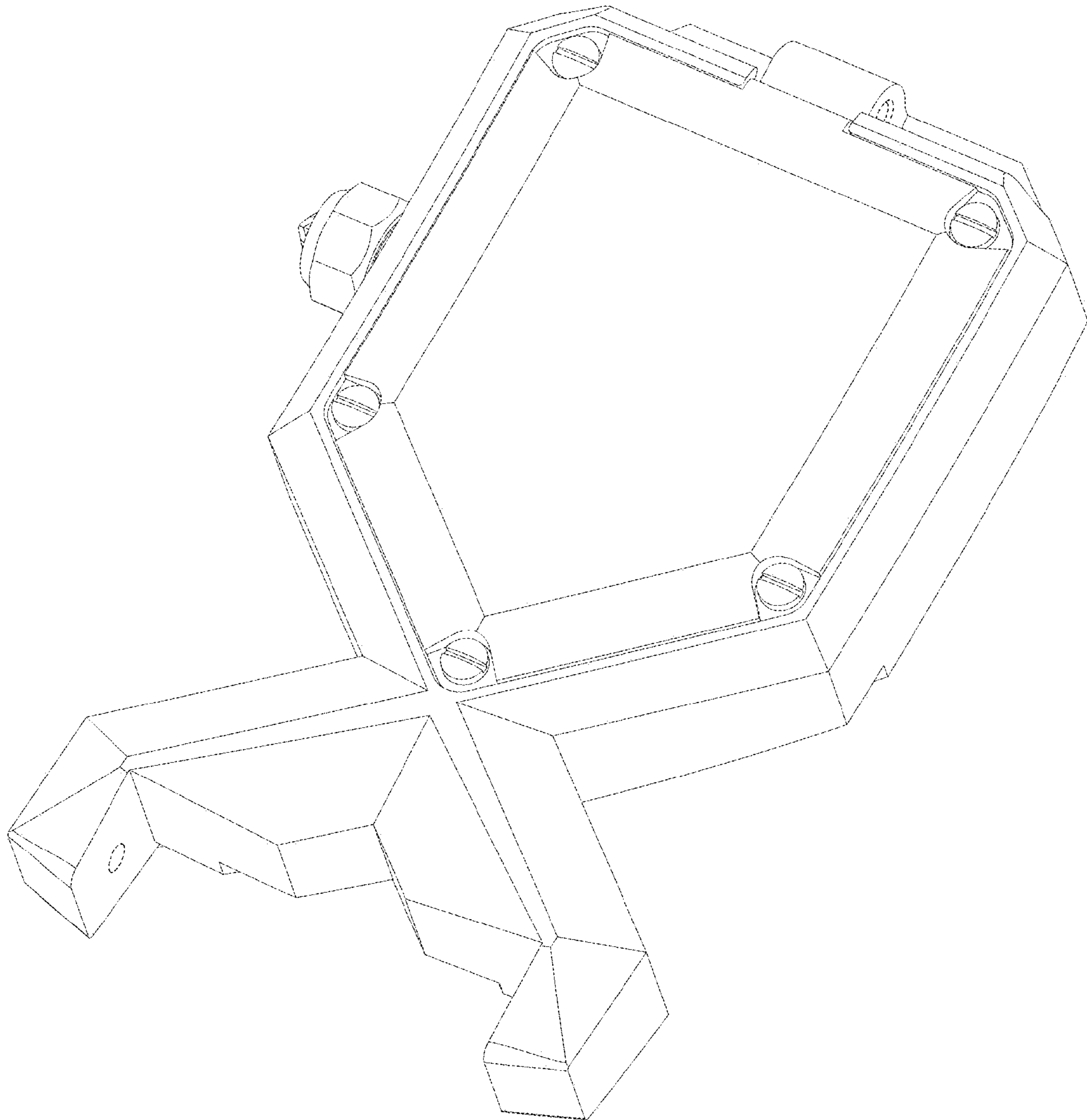


Fig. 8