



US00D903507S

(12) **United States Design Patent**
Fujimaki

(10) **Patent No.:** **US D903,507 S**

(45) **Date of Patent:** **** Dec. 1, 2020**

(54) **PACKAGING CASE**

(71) Applicant: **GC CORPORATION**, Sunto-gun (JP)

(72) Inventor: **Yuji Fujimaki**, Itabashi-ku (JP)

(73) Assignee: **GC CORPORATION**, Sunto-gun (JP)

(**) Term: **15 Years**

(21) Appl. No.: **29/677,299**

(22) Filed: **Jan. 18, 2019**

(51) **LOC (12) Cl.** **09-03**

(52) **U.S. Cl.**

USPC **D9/737; D9/456**

(58) **Field of Classification Search**

USPC D9/737, 756, 759, 761, 503, 504, 414,
D9/424-426, 430, 432; D7/538, 541,
D7/542, 553.1-553.3, 553.7, 555, 557,
D7/701, 703, 708, 602, 629; D3/203.3,
D3/273, 283, 294, 295, 310, 313;
D24/226, 227, 229; 229/120.02, 120.07,
229/406, 407, 904, 906; 220/500, 507,
220/508, 553, 555, 556; 206/521.1,
206/521.15, 561, 443
CPC B65D 1/24; B65D 43/162; B65D 77/046;
B65D 81/3294; B65D 43/169; B65D
45/00; B65D 1/36; B65D 2543/00194;
B65D 2543/00296; B65D 2543/00555;
B65D 2581/3425; B65D 25/04; B65D
43/0218; B65D 77/22; B65D 51/00;
A47G 19/02; A47G 19/065; A47G
23/0608; A61M 5/00; A61M 5/002; A61J
1/00

See application file for complete search history.

(56) **References Cited**

U.S. PATENT DOCUMENTS

D86,061 S * 1/1932 Shepard D9/751
D263,561 S * 3/1982 Wong D3/295

D282,279 S * 1/1986 Holewinski D24/229
D289,825 S * 5/1987 Humphries D3/313
D304,157 S * 10/1989 Holewinski D9/737
5,246,109 A * 9/1993 Markle A61B 5/145
206/363
5,441,152 A * 8/1995 Estes B25H 3/006
206/349

(Continued)

Primary Examiner — W. A. Teddy Falloway

(74) *Attorney, Agent, or Firm* — Oblon, McClelland,
Maier & Neustadt, L.L.P.

(57) **CLAIM**

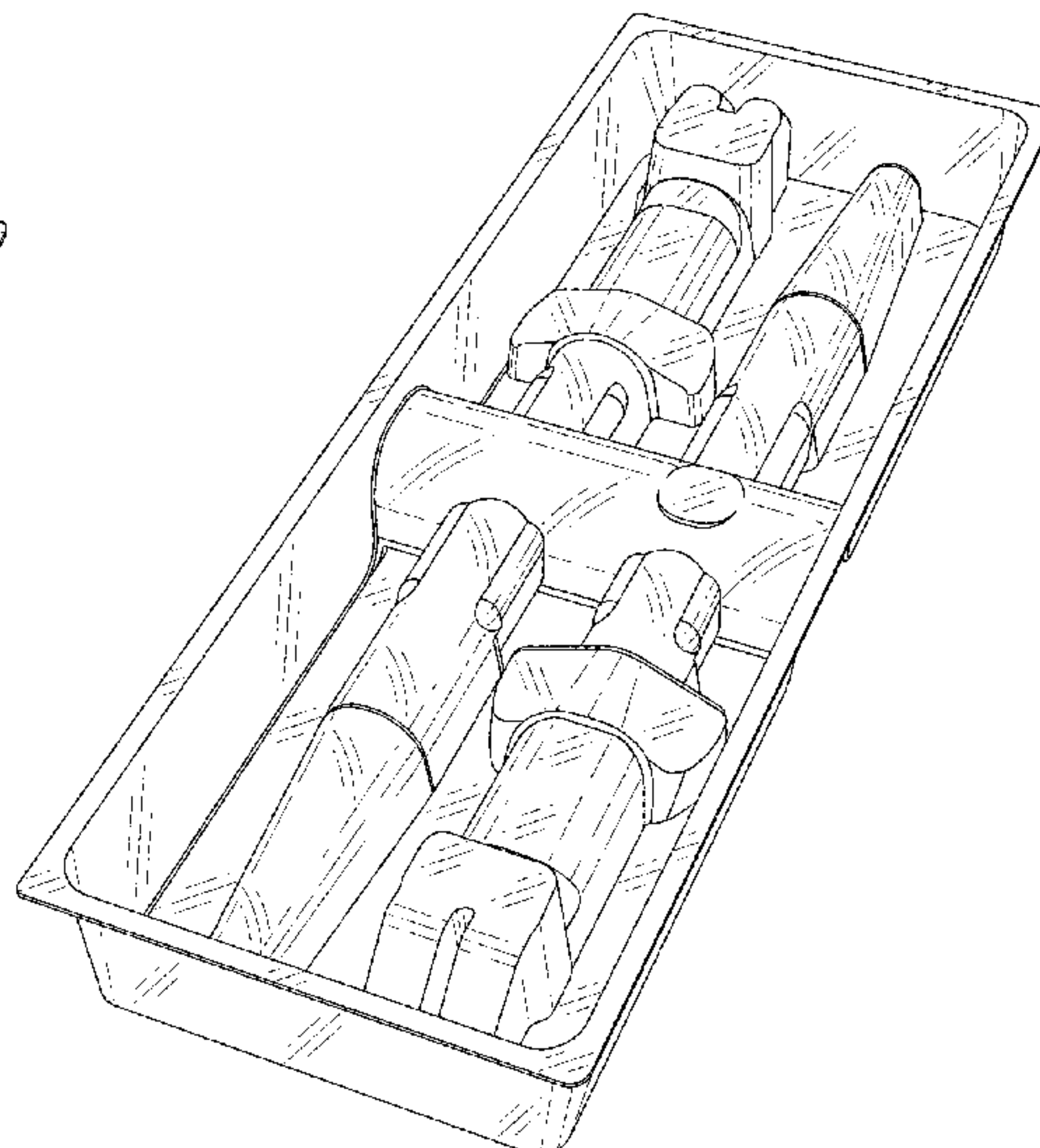
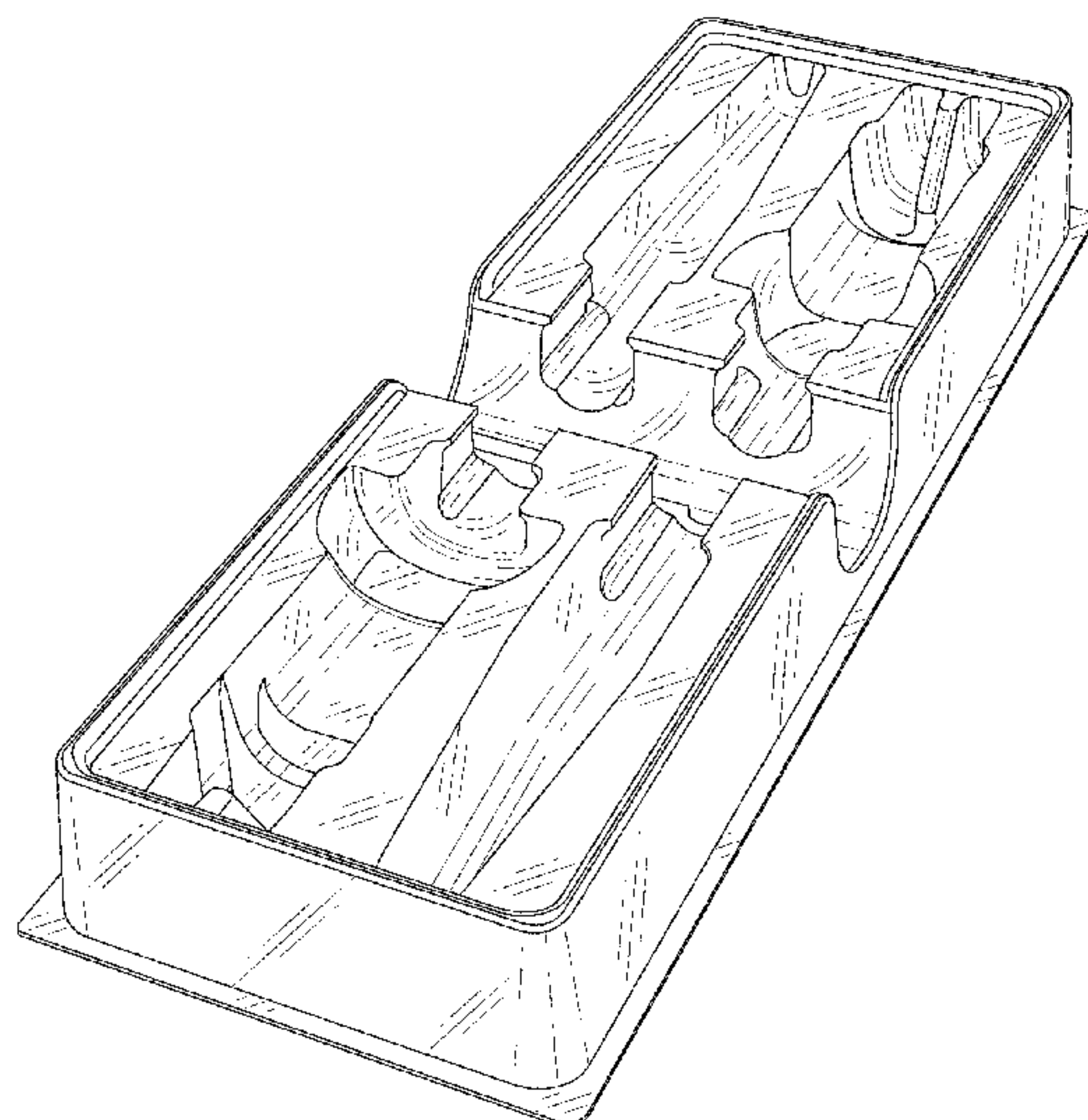
The ornamental design for a packaging case, as shown and described.

DESCRIPTION

FIG. 1 is a top plan view of a packaging case;
FIG. 2 is a bottom plan view thereof;
FIG. 3 is a front elevational view thereof;
FIG. 4 is a rear elevational view thereof;
FIG. 5 is a right side elevational view thereof;
FIG. 6 is a left side elevational view thereof;
FIG. 7 is a front, top, and left side perspective view thereof;
FIG. 8 is a front, bottom, and right side perspective view thereof;
FIG. 9 is a front, top, and left side perspective view thereof in a usage condition containing syringes;
FIG. 10 is a cross-sectional view taken along line 10-10 in FIG. 1;
FIG. 11 is a cross-sectional view taken along line 11-11 in FIG. 1;
FIG. 12 is a cross-sectional view taken along line 12-12 in FIG. 1;
FIG. 13 is a cross-sectional view taken along line 13-13 in FIG. 1; and,
FIG. 14 is a cross-sectional view taken along line 14-14 in FIG. 1.

The broken lines in FIG. 9 illustrate environmental subject matter that forms no part of the claimed design.

1 Claim, 10 Drawing Sheets



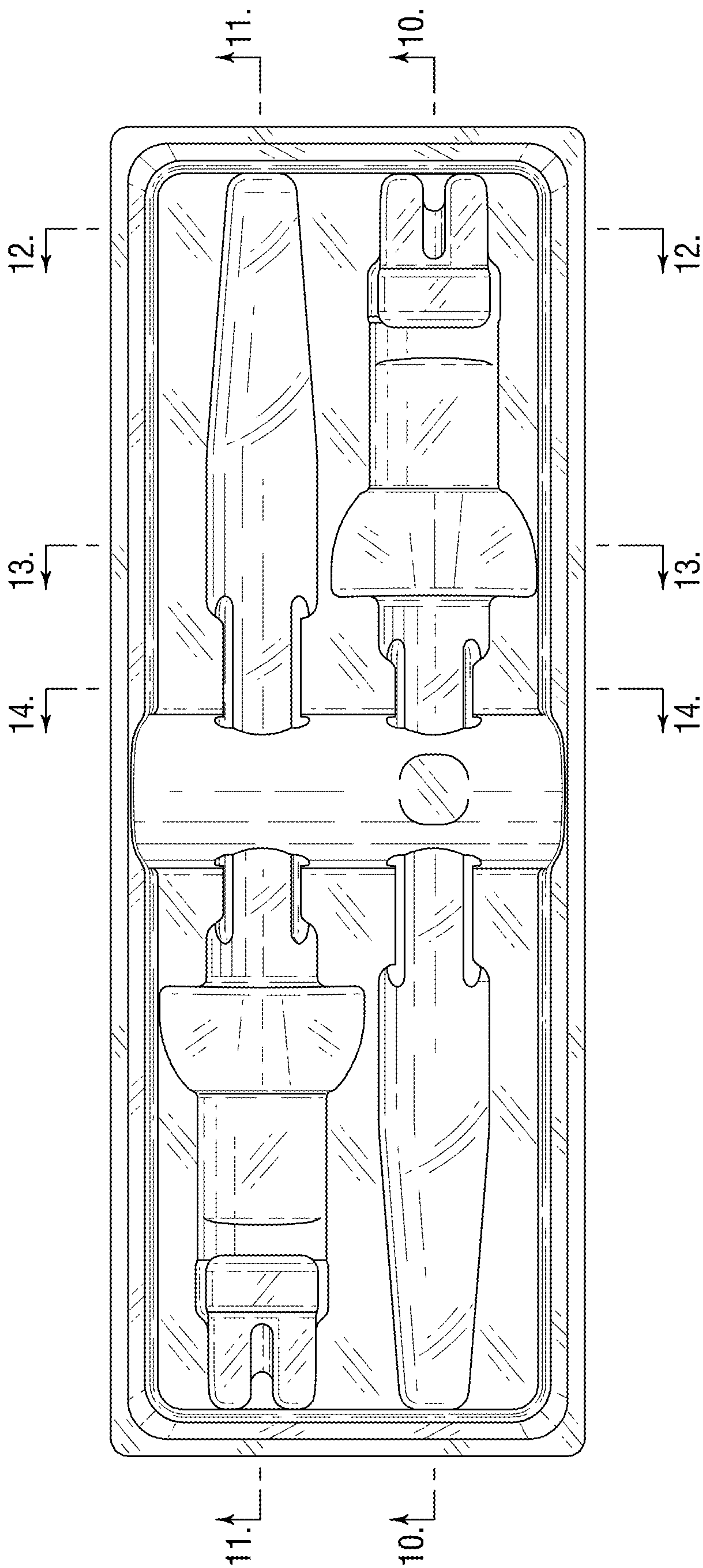


FIG. 1

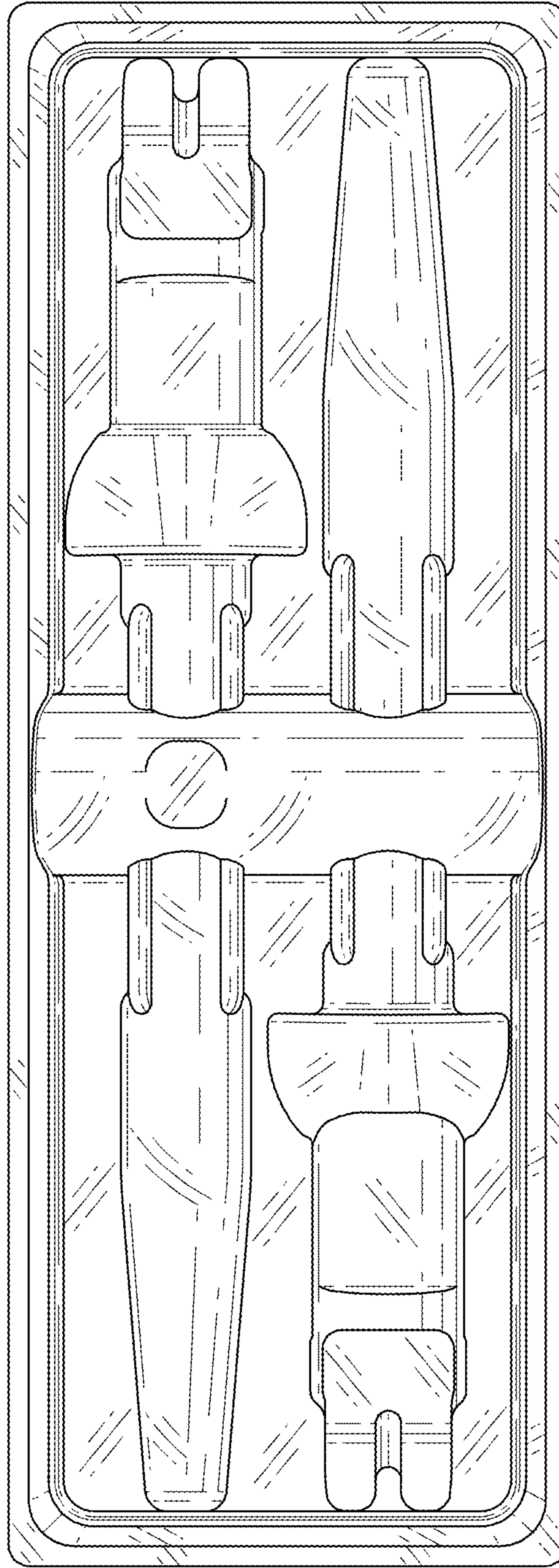


FIG. 2

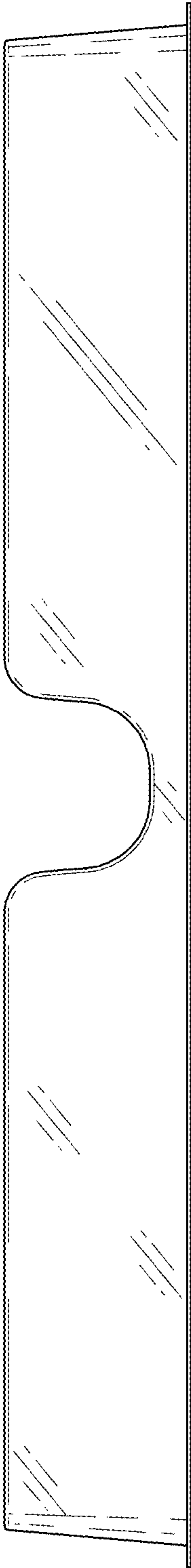


FIG. 3

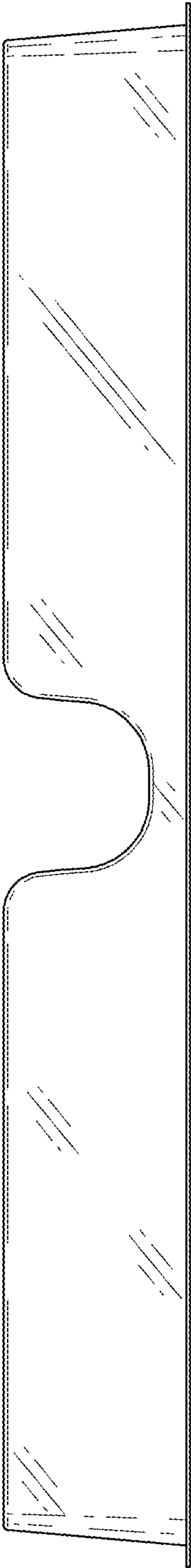


FIG. 4

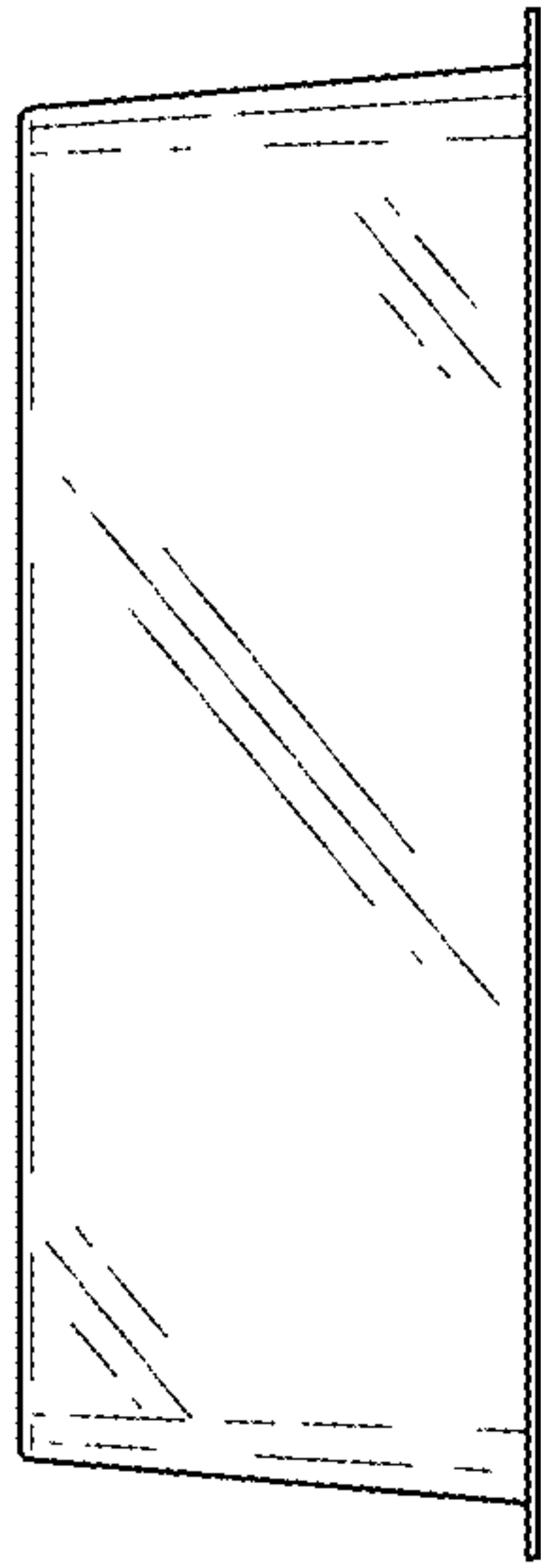


FIG. 5

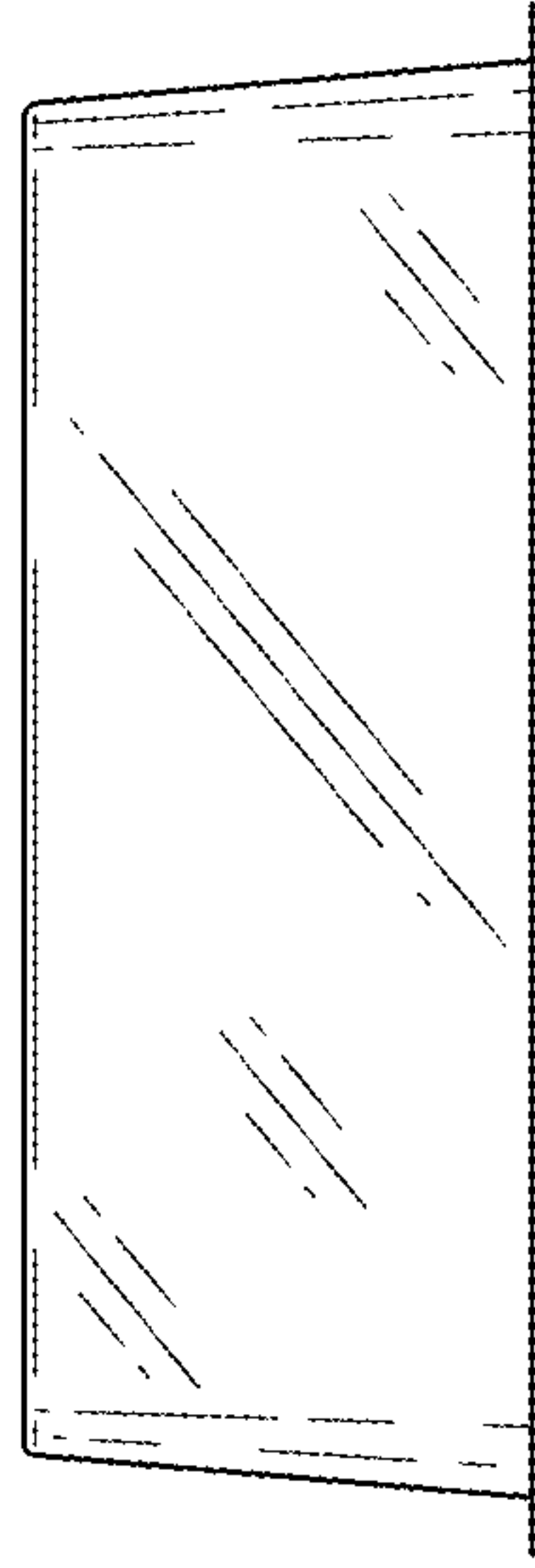


FIG. 6

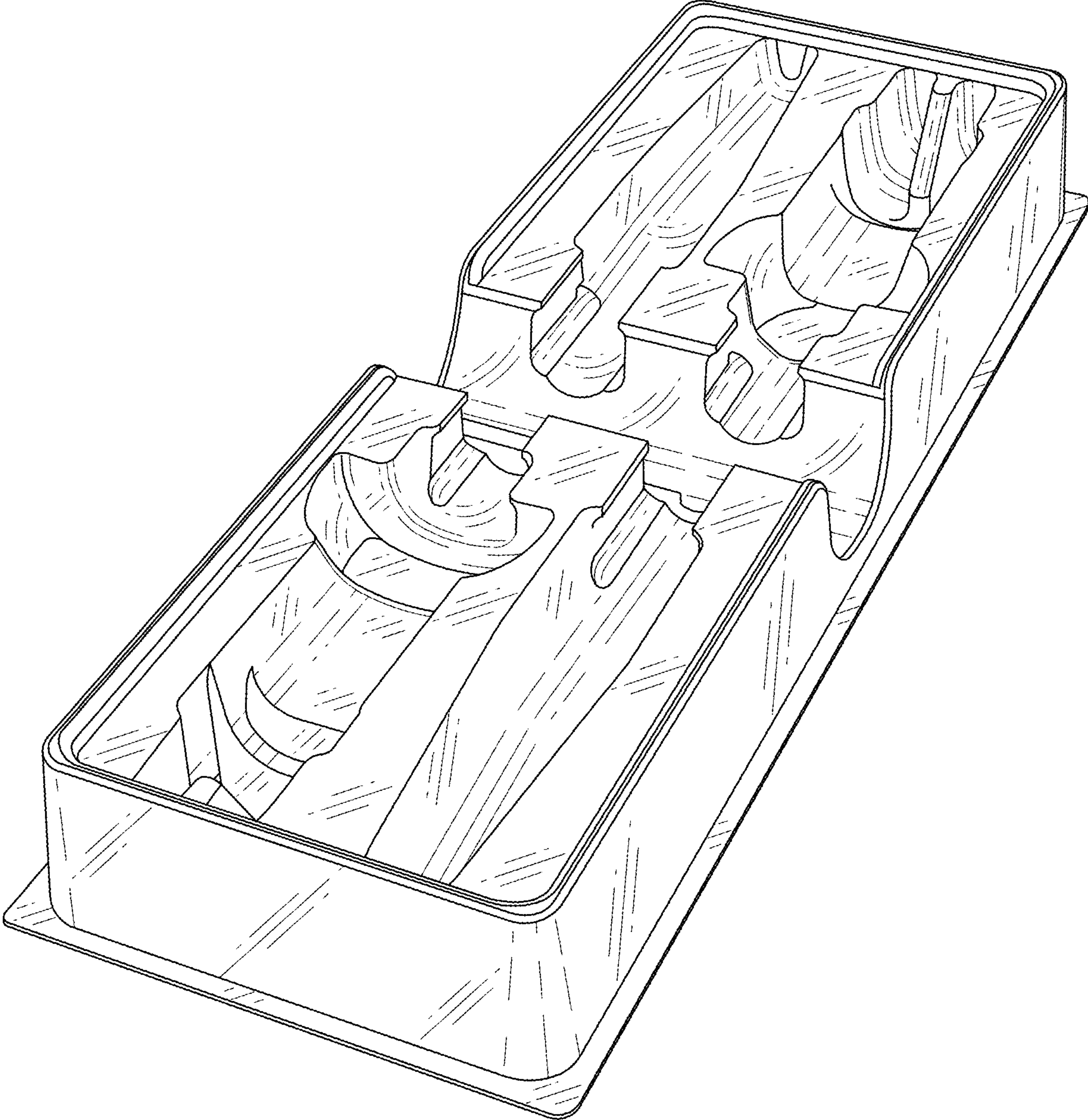


FIG. 7

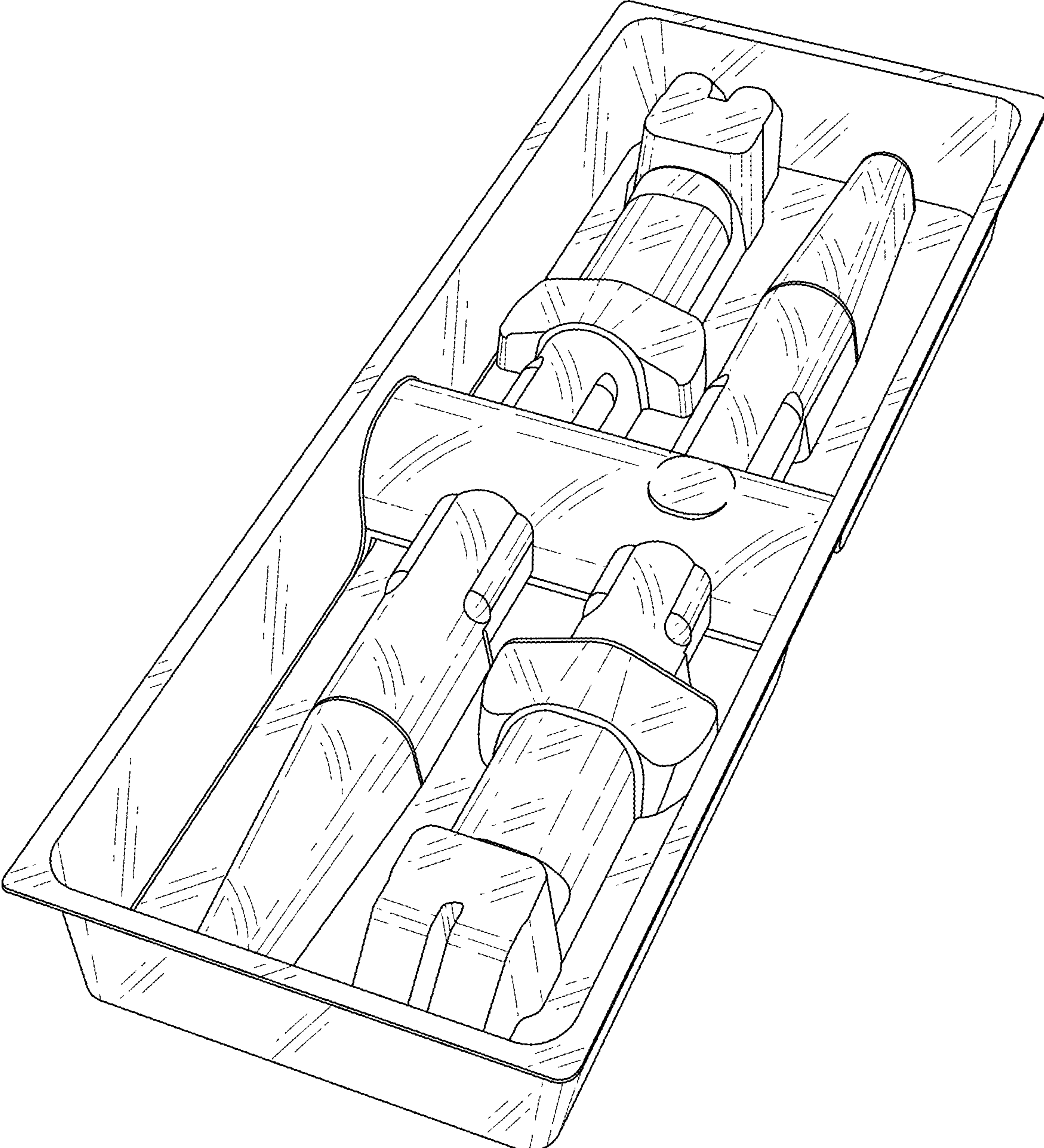


FIG. 8

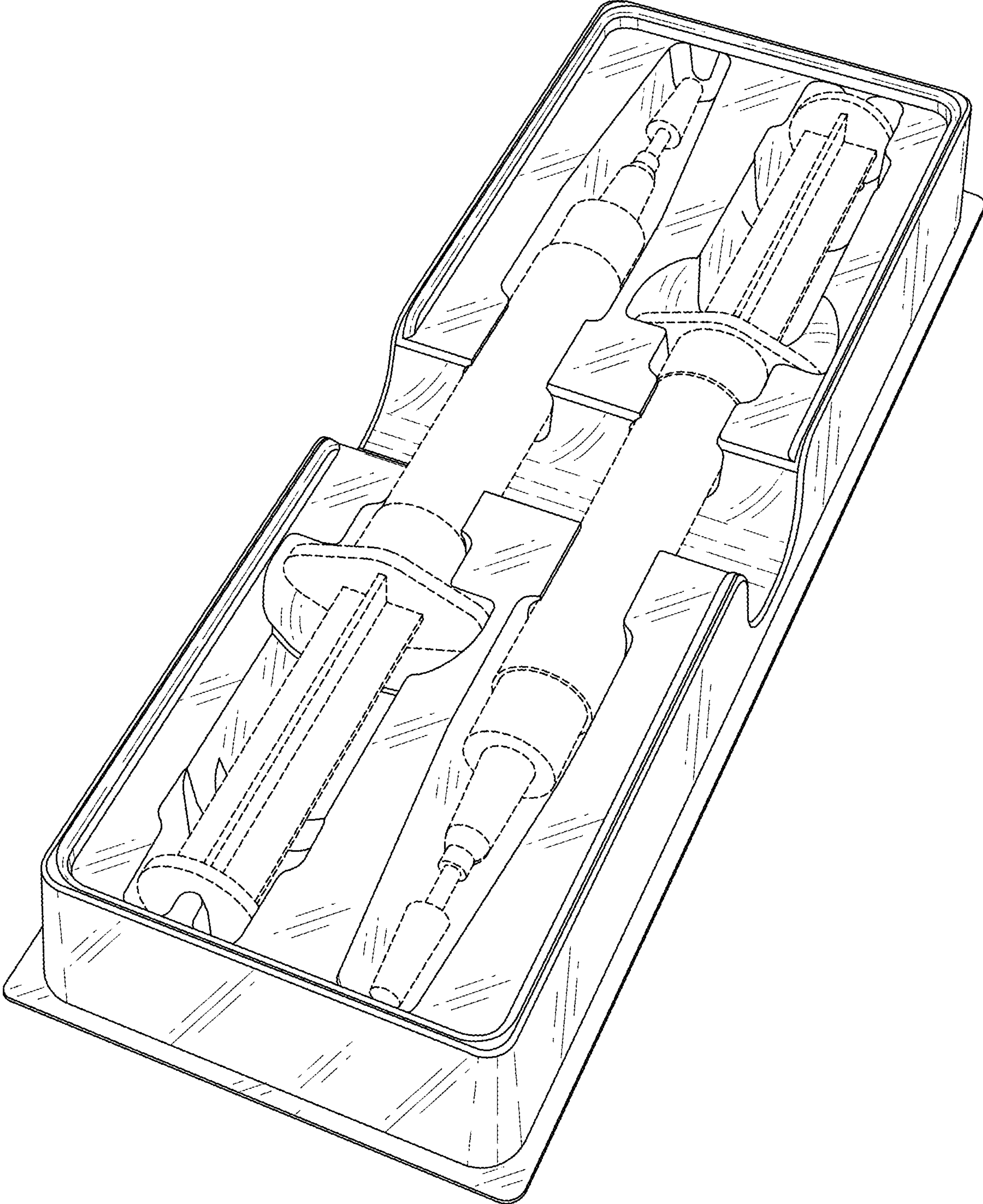


FIG. 9

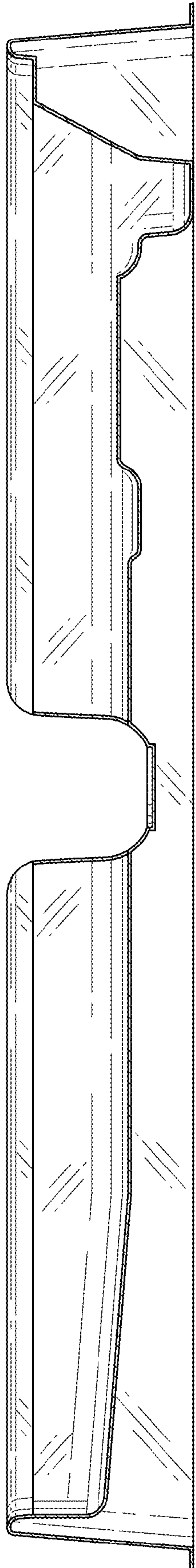


FIG. 10

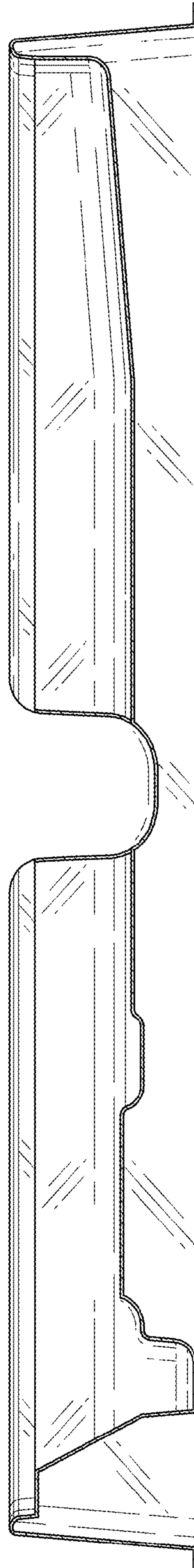


FIG. 11

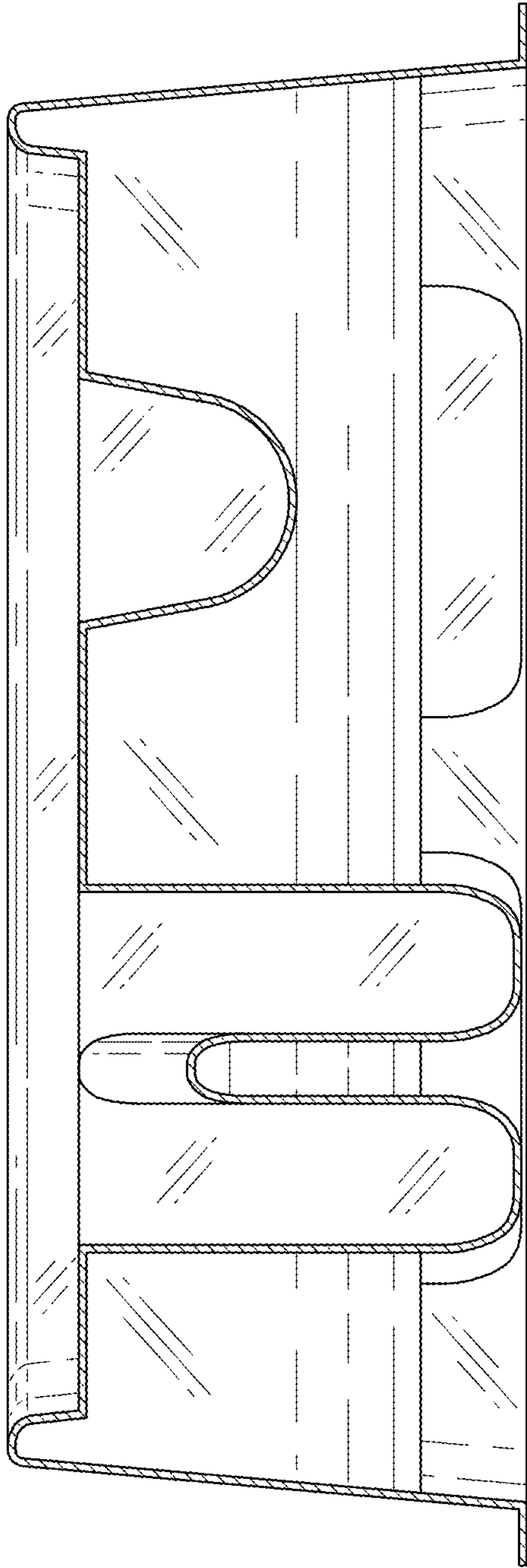


FIG. 12

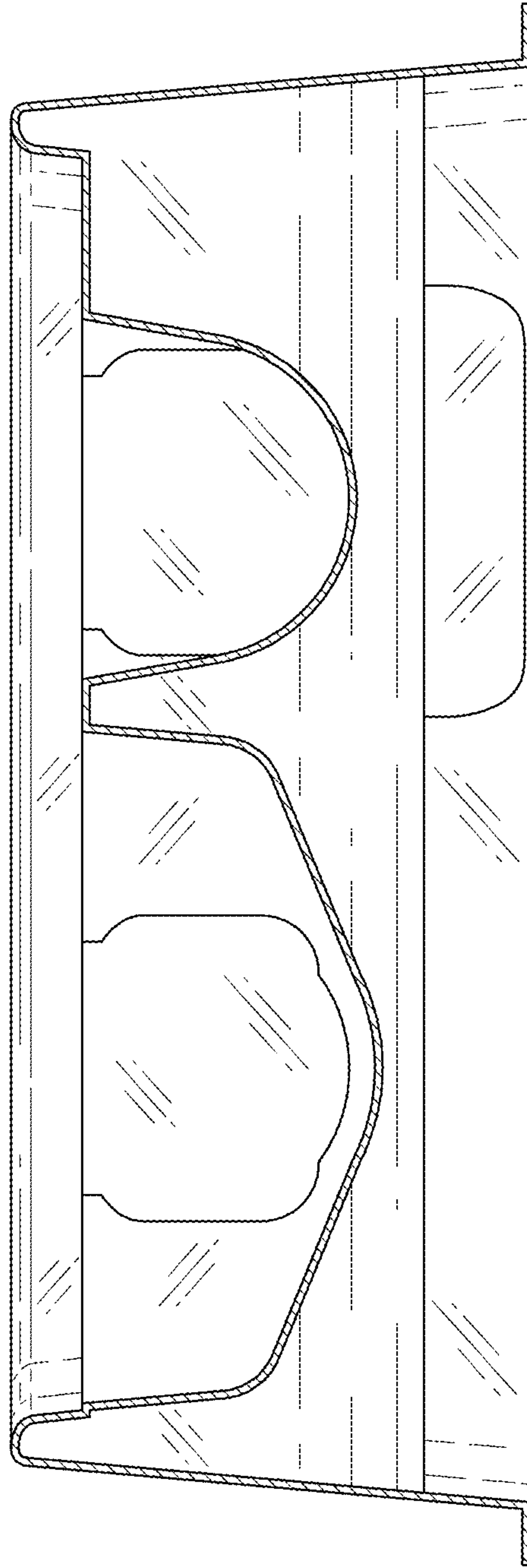


FIG. 13.

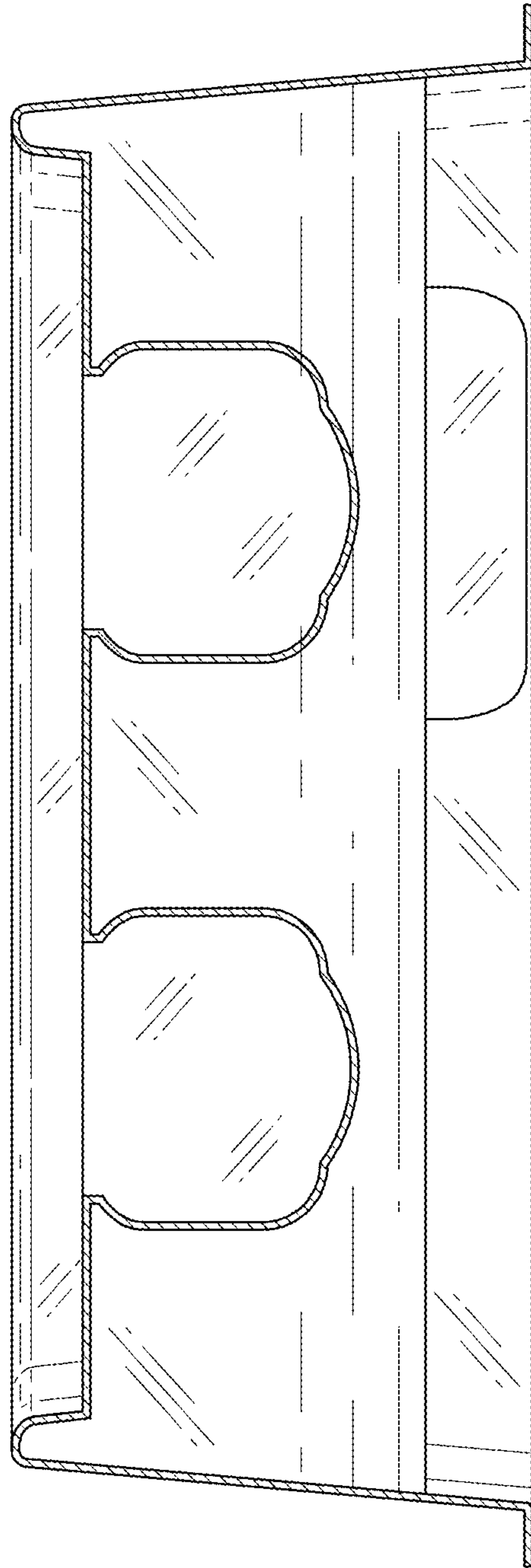


FIG. 14.