



US00D903504S

(12) **United States Design Patent**
Boeijen et al.

(10) **Patent No.: US D903,504 S**
(45) **Date of Patent: ** Dec. 1, 2020**

(54) **POUCH CONTAINER**

(71) Applicant: **Ecolab USA Inc.**, Saint Paul, MN (US)

(72) Inventors: **Paul J. Boeijen**, Bussum (NL); **Diego Fort**, Mönchengladbach (DE)

(73) Assignee: **Ecolab USA Inc.**, Saint Paul, MN (US)

(**) Term: **15 Years**

(21) Appl. No.: **29/673,060**

(22) Filed: **Dec. 11, 2018**

(30) **Foreign Application Priority Data**

Jun. 11, 2018	(EM)	005306883-0001
Jun. 11, 2018	(EM)	005306883-0002
Jun. 11, 2018	(EM)	005306883-0003
Jun. 11, 2018	(EM)	005306883-0004
Jun. 11, 2018	(EM)	005306883-0005
Jun. 11, 2018	(EM)	005306883-0006
Jun. 11, 2018	(EM)	005306883-0007
Jun. 11, 2018	(EM)	005306883-0008
Jun. 11, 2018	(EM)	005306883-0009
Jun. 11, 2018	(EM)	005306883-0010
Jun. 11, 2018	(EM)	005306883-0011
Jun. 11, 2018	(EM)	005306883-0012

(51) **LOC (12) Cl. 09-05**

(52) **U.S. Cl.**
USPC **D9/709**

(58) **Field of Classification Search**

USPC D9/702-714, 443, 447, 499, 516-517,
D9/523, 524, 526, 528, 530, 719, 572;
D24/118, 207, 108; 383/6, 9, 22, 96,
383/61.1, 80-81, 104, 901, 63, 203, 107,
383/119-120, 123, 61.2, 44; 220/675,
220/495.03, 200, 288; 215/381-385, 400,
215/328, 316, 200, 217, 392, 393;
206/484; D3/202; 428/34.3, 35.2;
222/92, 215, 95, 107; 604/408, 403, 415;
D7/606, 624, 514, 507, 509, 302, 317

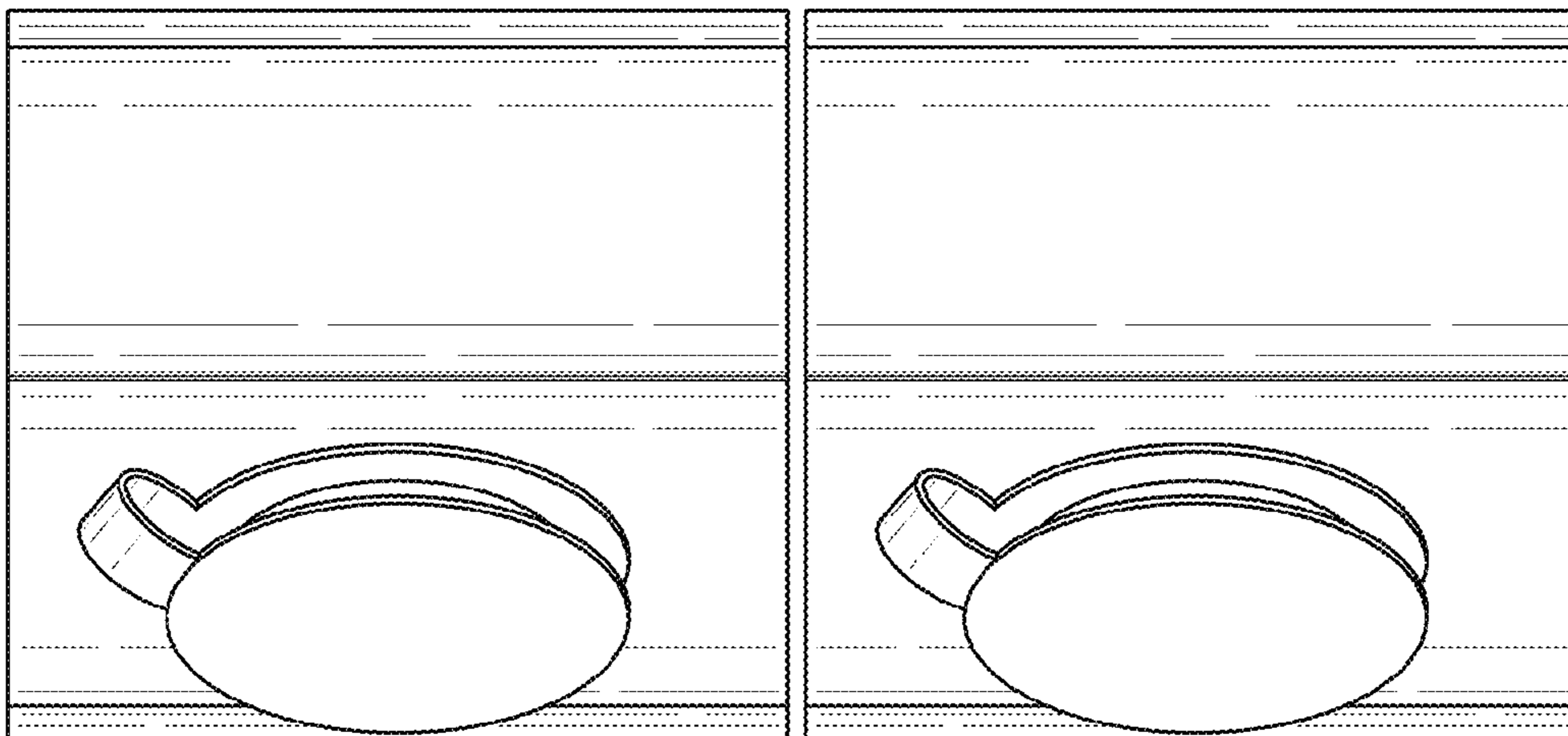
CPC B65D 35/00; B65D 35/08; B65D 11/00;
B65D 11/04; B65D 1/00; B65D 1/02;
B65D 1/023; B65D 1/32; B65D 1/22;
B65D 1/34; B65D 33/00; B65D 33/02;
B65D 33/04; B65D 33/24; B65D 5/00;
B65D 5/0209; B65D 5/029; B65D 5/001;
B65D 5/0025; B65D 5/40; B65D 5/72;
B65D 5/727; B65D 5/067; B65D 5/068;
B65D 43/162; B65D 81/02; A45F 3/20;
A45F 3/16; B29L 2031/7162; B29L
2031/7164; B29L 2031/7166

See application file for complete search history.

(56) **References Cited**

U.S. PATENT DOCUMENTS

1,115,895 A	11/1914	Brown	
1,685,861 A	10/1928	Howard	
D120,999 S	6/1940	Murdock	
2,317,102 A	4/1943	McKaig, Jr.	
D188,393 S	7/1960	Fagan	
3,017,650 A	1/1962	Schaal	
D195,314 S	5/1963	Terwilliger	
3,498,026 A	3/1970	Messinger et al.	
3,885,265 A	5/1975	Deibel	
3,949,947 A	4/1976	Youngquist et al.	
4,005,503 A	2/1977	Petrik	
4,428,477 A	1/1984	Cristofolo	
4,651,874 A	3/1987	Nakamura	
4,790,436 A	12/1988	Nakamura	
4,803,584 A	2/1989	Doi et al.	
4,896,773 A	1/1990	Zilio	
D315,298 S	3/1991	Marucci	
5,108,029 A *	4/1992	Abrams	B65D 5/746 229/125.09
D330,658 S	11/1992	Manning	
5,207,633 A	5/1993	Granger	
5,344,007 A	9/1994	Nakamura et al.	
5,363,986 A	11/1994	Cook	
D354,224 S	1/1995	Norton et al.	
D354,225 S	1/1995	Norton et al.	
D359,234 S	6/1995	Amin	
D366,830 S	2/1996	Christianson	
D376,972 S	12/1996	Zissu	
D377,902 S	2/1997	Marucci	
5,718,353 A	2/1998	Kanfer et al.	
D394,571 S	5/1998	King et al.	
5,799,840 A	9/1998	Mogard	
D401,704 S	11/1998	Clark	



US D903,504 S

5,906,278 A	5/1999	Ponsi et al.	7,717,266 B2	5/2010	Ice
D412,439 S	8/1999	Cormack	7,735,682 B1	6/2010	Cassel et al.
5,938,013 A	8/1999	Palumbo et al.	D623,451 S	9/2010	Gehring et al.
5,938,069 A	8/1999	Macchia	D623,537 S *	9/2010	Berman D9/708
5,951,716 A	9/1999	Lucia, III et al.	D625,536 S	10/2010	Moed
D414,637 S	10/1999	Amundson et al.	D629,986 S	12/2010	Clark
D416,794 S	11/1999	Cormack	D630,939 S	1/2011	Peters et al.
5,988,371 A	11/1999	Paley et al.	D642,912 S	8/2011	Frias
D417,351 S	12/1999	Scavuzzo	7,997,522 B2	8/2011	Titas et al.
5,997,586 A	12/1999	Smith et al.	D651,077 S	12/2011	Frias
6,012,572 A	1/2000	Heathcock et al.	D651,083 S	12/2011	Frias
D420,908 S *	2/2000	Sumner D9/417	D651,085 S	12/2011	Frias
6,026,953 A	2/2000	Nakamura et al.	D651,511 S	1/2012	Frias
6,062,757 A	5/2000	Gueret	D651,899 S	1/2012	Frias
6,065,591 A	5/2000	Dill et al.	D655,116 S	3/2012	Ravazi et al.
D431,649 S	10/2000	Hunsucker	D655,543 S	3/2012	Beck
6,126,009 A	10/2000	Shiffler et al.	D656,021 S	3/2012	Dunn et al.
6,164,441 A	12/2000	Guy et al.	8,129,321 B2	3/2012	Lee et al.
D437,218 S *	2/2001	Ljunstrom D9/417	8,152,004 B2	4/2012	Smith et al.
D438,736 S	3/2001	Sanders et al.	D660,060 S	5/2012	Slosman
D445,329 S	7/2001	Zethoff	8,181,284 B1	5/2012	Parker
D450,960 S	11/2001	Boyea et al.	D663,632 S	7/2012	Peters et al.
D457,995 S	5/2002	Clark	D663,980 S	7/2012	Bendaa et al.
D459,124 S	6/2002	Le et al.	D664,041 S	7/2012	Fauerbach
D461,403 S	8/2002	Chomik et al.	8,220,625 B2	7/2012	Michaels et al.
6,427,839 B1	8/2002	Helfer-Grand	D665,259 S	8/2012	Dunn et al.
6,453,134 B1	9/2002	Ziegelmueller et al.	D666,488 S	9/2012	Frias
D467,105 S	12/2002	Le et al.	D666,494 S	9/2012	Stull et al.
D468,567 S	1/2003	Trevett et al.	D667,660 S	9/2012	Adolf
D469,288 S	1/2003	Wray et al.	8,286,834 B2	10/2012	Powers et al.
6,520,331 B2	2/2003	Okin et al.	D671,000 S	11/2012	O'Neill et al.
D471,440 S	3/2003	Sams et al.	8,387,165 B1	3/2013	Sakin
6,578,731 B1	6/2003	Lewis et al.	D687,650 S	8/2013	Wells et al.
D476,741 S	7/2003	Childress	8,511,511 B2	8/2013	Thoren et al.
6,585,130 B2	7/2003	Turbett et al.	8,602,258 B2	12/2013	Long et al.
D479,419 S	9/2003	White et al.	D696,966 S	1/2014	Finlay
D479,420 S	9/2003	White et al.	D698,265 S	1/2014	Flynn
6,616,334 B2	9/2003	Faaborg et al.	D699,585 S	2/2014	Carreiro
D481,502 S	10/2003	Clark	D699,594 S	2/2014	Bechyne et al.
D481,893 S	11/2003	Walther et al.	D700,450 S	3/2014	Glenn
D482,966 S	12/2003	Booth et al.	8,740,831 B2	6/2014	Wu
D485,461 S	1/2004	Sams et al.	D708,962 S	7/2014	Glenn
6,702,227 B1	3/2004	Newman et al.	D712,176 S	9/2014	Tamilarasan
6,705,565 B1	3/2004	Newman et al.	D712,750 S	9/2014	Glenn
6,753,306 B2	6/2004	Simpson	D712,751 S	9/2014	Bechyne et al.
D493,413 S	7/2004	Hodgson	D713,266 S	9/2014	Laffin
D499,021 S	11/2004	Tiilikka et al.	D717,644 S *	11/2014	Franic D9/431
6,913,338 B2	7/2005	Rhoads et al.	D718,149 S	11/2014	Glenn
D513,991 S *	1/2006	Canino D9/527	D718,953 S	12/2014	Masino
D523,668 S	6/2006	Azrak	D719,847 S	12/2014	Li et al.
D525,146 S	7/2006	Young et al.	D721,517 S	1/2015	Hill
D525,464 S	7/2006	Khurana	8,956,432 B2	2/2015	Herndon et al.
D527,629 S *	9/2006	Franic D9/431	8,997,990 B2	4/2015	Gummow et al.
D538,162 S	3/2007	Smith	9,144,819 B1	9/2015	Winter
D540,188 S	4/2007	Karussi et al.	D756,495 S	5/2016	Dana
D545,097 S	6/2007	Schlaupitz et al.	9,364,123 B1	6/2016	Mirzoev
D548,612 S *	8/2007	Berman D9/708	D764,208 S	8/2016	Shafran
D550,570 S *	9/2007	Berman D9/708	D764,948 S	8/2016	Green et al.
D552,902 S	10/2007	Sadeh et al.	D768,009 S	10/2016	Fulscher et al.
7,288,514 B2	10/2007	Scheuing et al.	D769,671 S	10/2016	Bielawski
D554,993 S	11/2007	Kerman et al.	D771,489 S	11/2016	Azelton et al.
D562,603 S	2/2008	Ricotta	D773,315 S	12/2016	Wahl et al.
7,354,598 B2	4/2008	Masting	9,538,885 B2	1/2017	Cojocarut et al.
D571,226 S	6/2008	Bartolucci et al.	D778,732 S	2/2017	Pelfrey et al.
D579,702 S	11/2008	McArdle	D784,808 S	4/2017	Berroa Garcia
D581,700 S	12/2008	DePace et al.	D790,912 S	7/2017	Joseph et al.
D582,152 S	12/2008	Rappaport et al.	D803,044 S *	11/2017	Franic D9/431
7,470,656 B2	12/2008	Sherry et al.	D806,465 S	1/2018	Boroski
D584,613 S	1/2009	Yan et al.	D809,860 S	2/2018	Carlson et al.
D594,231 S	6/2009	Zorzo	D813,668 S	3/2018	Miller
7,591,405 B2	9/2009	Daniels	D863,962 S	10/2019	Bakic
D603,721 S	11/2009	Masucci	D864,719 S	10/2019	Berroa Garcia
D604,631 S	11/2009	Duncan	D867,137 S	11/2019	Johnson et al.
D608,199 S	1/2010	Gross	D869,273 S	12/2019	Kim et al.
D608,638 S	1/2010	Pontes	2002/0162848 A1	11/2002	Na
D609,568 S	2/2010	Mazurkiewicz	2003/0015544 A1	1/2003	Turbett et al.
D611,282 S	3/2010	Gehring et al.	2003/0111481 A1	6/2003	Newman et al.
7,682,097 B2	3/2010	Knopow et al.	2003/0207632 A1	11/2003	Brooks
D613,599 S	4/2010	Khubani	2004/0047670 A1	3/2004	Martin

US D903,504 S

2004/0195256	A1	10/2004	Goepfert et al.	CN	204890697	U	12/2015
2004/0251163	A1	12/2004	Conde et al.	CN	103717503	B	1/2016
2006/0261076	A1	11/2006	Anderson	CN	106455874	A	2/2017
2006/0289556	A1	12/2006	Rapala	DE	2424218	A1	11/1975
2007/0000800	A1	1/2007	Stoddart	DE	3839180	C1	1/1990
2007/0045333	A1	3/2007	Mitchell et al.	DE	9317973	U1	6/1994
2007/0084874	A1	4/2007	Neubauer et al.	DE	202012013127	U1	1/2015
2007/0180640	A1	8/2007	Knopow et al.	EP	134806	A1	3/1985
2007/0235466	A1	10/2007	Fulscher et al.	EP	613824	A2	9/1994
2007/0284397	A1	12/2007	Hickok et al.	EP	802761	B1	5/1999
2008/0032611	A1	2/2008	Dilyard	EP	824329	B1	7/2002
2008/0060751	A1	3/2008	Arrindell	EP	940110	B1	8/2002
2008/0061073	A1	3/2008	Laroche	EP	1246756	A1	10/2002
2008/0108965	A1	5/2008	Christensen et al.	EP	1404523	A1	4/2004
2008/0110918	A1	5/2008	Lee	EP	1404600	A2	4/2004
2008/0110920	A1	5/2008	Hlista et al.	EP	1341431	B1	6/2006
2008/0230560	A1	9/2008	Powers et al.	EP	1673235	A2	6/2006
2008/0258586	A1	10/2008	Sellars et al.	EP	1938728	A2	7/2008
2009/0032636	A1	2/2009	Orlandi et al.	EP	1893503	B1	9/2010
2009/0148646	A1	6/2009	Bachmann et al.	EP	2314542	A1	4/2011
2009/0194454	A1	8/2009	Wong et al.	EP	1852363	B1	9/2011
2009/0205981	A1	8/2009	Daul	EP	2865308	A1	4/2015
2009/0321299	A1	12/2009	Gehring	EP	2885215	A1	6/2015
2010/0178429	A1	7/2010	Presley	EP	2615955	BI	7/2015
2010/0212094	A1	8/2010	Cohen	EP	2952450	A1	12/2015
2011/0005943	A1	1/2011	Beihoffer et al.	EP	2868595	B1	8/2016
2011/0068079	A1	3/2011	Luzatto et al.	EP	3050820	A1	8/2016
2011/0210138	A1	9/2011	Szymonski et al.	EP	3077076	A1	10/2016
2012/0096811	A1	4/2012	Stevenson	ES	2013740	B3	6/1990
2012/0261436	A1	10/2012	Farrell	GB	2447415	A	9/2008
2013/0037569	A1	2/2013	Kelly	GB	2470379	A	11/2010
2013/0065467	A1	3/2013	Transvalidou et al.	IN	530/DELNP/2014	P1	1/2015
2013/0188890	A1	7/2013	Naor	JP	H06269607	A	9/1994
2013/0214083	A1	8/2013	Yurczyk et al.	JP	3198002	B2	8/2001
2013/0216296	A1	8/2013	Kusin et al.	JP	2003118782	A	4/2003
2013/0240554	A1	9/2013	Strhlin et al.	JP	2005035671	A	2/2005
2014/0374432	A1	12/2014	Bechyne et al.	JP	4296408	B2	7/2009
2014/0374435	A1	12/2014	Thoresen et al.	JP	2015164857	A	9/2015
2015/0102050	A1	4/2015	Marin-Quintero et al.	KR	970006177	A	2/1997
2015/0196176	A1	7/2015	Felix et al.	KR	20060010306	A	2/2006
2015/0216378	A1	8/2015	Fulscher et al.	KR	20150070644	A	6/2015
2015/0225932	A1	8/2015	Figurski et al.	NZ	515868	A	8/2004
2016/0176572	A1	6/2016	Rodon	RU	2009130731	A	2/2011
2016/0263505	A1	9/2016	Richter	WO	0012407	A1	3/2000
2016/0302627	A1	10/2016	Larsson et al.	WO	0102266	A1	1/2001
2016/0374524	A1	12/2016	Stenberg et al.	WO	03008300	A2	1/2003
2017/0036835	A1	2/2017	Duncan	WO	2010013284	A1	2/2010
2018/0127163	A1	5/2018	Choi	WO	2010054063	A1	5/2010
				WO	2012034590	A1	3/2012
				WO	2014128694	A1	8/2014
				WO	2015038880	A2	3/2015
				WO	2015067366	A2	5/2015
				WO	2015072937	A1	5/2015
				WO	2016018202	A1	2/2016

FOREIGN PATENT DOCUMENTS

AU	2002100913	B4	5/2003
AU	2012201516	A1	4/2012
BE	1019974	A3	3/2013
CA	91302	S	1/2001
CA	93103	S	7/2001
CA	93104	S	7/2001
CA	2463637	A1	10/2004
CA	2142385	C	2/2005
CA	2444137	A1	4/2005
CA	119905	S	4/2008
CA	134502	S	10/2010
CA	137417	S	5/2011
CA	137418	S	5/2011
CA	137419	S	5/2011
CA	137420	S	5/2011
CA	137421	S	5/2011
CA	137422	S	5/2011
CA	150038	S	2/2014
CA	166938	S	12/2016
CN	2205174	Y	8/1995
CN	1216963	A	5/1999
CN	1633370	A	6/2005
CN	1699119	A	11/2005
CN	1744834	A	3/2006
CN	100518611	C	7/2009
CN	101676023	B	10/2011
CN	102660197	A	9/2012
CN	203314865	U	12/2013

OTHER PUBLICATIONS

38 MM Hinge Guard Cap: Announced 2019 [online]. Site visited Jan. 5, 2020. Available from Internet URL: <https://www.webpackaging.com/en/portals/nevilleandmore/assets/11579142/38mm-white-smooth-hinge-guard-cap-with-epe-liner/>.

Igloo Drain Plug: Announced Jul. 3, 2019 [online]. Site visited Jan. 3, 2020. Available from Internet URL: <https://www.acehardware.com/departments/outdoor-living/coolers/cooler-accessories/8037657#ratings-and-reviews>.

Tablet Bottle Cap: Announced 2017 [online]. Site visited Jan. 5, 2020. Available from Internet URL: <https://www.xianglin-plastics.com/2017-good-quality-tablet-bottle-plastic-caps-yellow-polypropylene-ribbed-caps-w-induction-liners-xianglin.html>.

EP Patent Application No. 18176993.6, Extended European Search Report dated Oct. 25, 2018, 6 pages.

* cited by examiner

(74) *Attorney, Agent, or Firm* — Frekrikson & Byron, P.A.

(57) **CLAIM**

We claim the ornamental design for a pouch container, as shown and described.

DESCRIPTION

FIG. 1 is a top view of our new design for a pouch container according to a first embodiment shown with the cap in a closed position;
 FIG. 2 is a bottom view thereof with the cap in the closed position;
 FIG. 3 is a front view thereof shown with the cap in the closed position;
 FIG. 4 is a left side view thereof shown with the cap in the closed position;
 FIG. 5 is a right side view thereof shown with the cap in the closed position;
 FIG. 6 is a back view thereof with the cap in the closed position;
 FIG. 7 is a front perspective view thereof shown with the cap in the closed position; and
 FIG. 8 is a rear perspective view thereof with the cap in the closed position;
 FIG. 9 is a top view of the pouch container according to the first embodiment shown with the cap in an open position;
 FIG. 10 is a bottom view thereof shown with the cap in the open position;
 FIG. 11 is a front view thereof shown with the cap in the open position;
 FIG. 12 is a left side view thereof shown with the cap in the open position;
 FIG. 13 is a right side view thereof shown with the cap in the open position;
 FIG. 14 is a back view thereof shown with the cap in the open position;
 FIG. 15 is a front perspective view thereof shown with the cap in the open position; and
 FIG. 16 is a rear perspective view thereof shown with the cap in the open position;
 FIG. 17 is a top view of our new design for a pouch container according to a second embodiment shown with the cap in a closed position;
 FIG. 18 is a bottom view thereof with the cap in the closed position;
 FIG. 19 is a front view thereof shown with the cap in the closed position;
 FIG. 20 is a left side view thereof shown with the cap in the closed position;
 FIG. 21 is a right side view thereof shown with the cap in the closed position;
 FIG. 22 is a back view thereof with the cap in the closed position;
 FIG. 23 is a front perspective view thereof shown with the cap in the closed position; and
 FIG. 24 is a rear perspective view thereof shown with the cap in the closed position;
 FIG. 25 is a top view of the pouch container according to the second embodiment shown with the cap in an open position;
 FIG. 26 is a bottom view thereof shown with the cap in the open position;
 FIG. 27 is a front view thereof shown with the cap in the open position;

FIG. 28 is a left side view thereof shown with the cap in the open position;
 FIG. 29 is a right side view thereof shown with the cap in the open position;
 FIG. 30 is a back view thereof shown with the cap in the open position;
 FIG. 31 is a front perspective view thereof shown with the cap in the open position; and
 FIG. 32 is a rear perspective view thereof shown with the cap in the open position;
 FIG. 33 is a top view of our new design for a pouch container according to a third embodiment shown with the cap in a closed position;
 FIG. 34 is a bottom view thereof with the cap in the closed position;
 FIG. 35 is a front view thereof shown with the cap in the closed position;
 FIG. 36 is a left side view thereof shown with the cap in the closed position;
 FIG. 37 is a right side view thereof shown with the cap in the closed position;
 FIG. 38 is a back view thereof with the cap in the closed position;
 FIG. 39 is a front perspective view thereof shown with the cap in the closed position; and
 FIG. 40 is a rear perspective view thereof with the cap in the closed position;
 FIG. 41 is a top view of the pouch container according to the third embodiment shown with the cap in an open position;
 FIG. 42 is a bottom view thereof shown with the cap in the open position;
 FIG. 43 is a front view thereof shown with the cap in the open position;
 FIG. 44 is a left side view thereof shown with the cap in the open position;
 FIG. 45 is a right side view thereof shown with the cap in the open position;
 FIG. 46 is a back view thereof shown with the cap in the open position;
 FIG. 47 is a front perspective view thereof shown with the cap in the open position; and
 FIG. 48 is a rear perspective view thereof shown with the cap in the open position;
 FIG. 49 is a top view of our new design for a pouch container according to a fourth embodiment shown with the cap in a closed position;
 FIG. 50 is a bottom view thereof with the cap in the closed position;
 FIG. 51 is a front view thereof shown with the cap in the closed position;
 FIG. 52 is a left side view thereof shown with the cap in the closed position;
 FIG. 53 is a right side view thereof shown with the cap in the closed position;
 FIG. 54 is a back view thereof with the cap in the closed position;
 FIG. 55 is a front perspective view thereof shown with the cap in the closed position; and
 FIG. 56 is a rear perspective view thereof with the cap in the closed position;
 FIG. 57 is a top view of the pouch container according to the fourth embodiment shown with the cap in an open position;
 FIG. 58 is a bottom view thereof shown with the cap in the open position;

FIG. **59** is a front view thereof shown with the cap in the open position;

FIG. **60** is a left side view thereof shown with the cap in the open position;

FIG. **61** is a right side view thereof shown with the cap in the open position;

FIG. **62** is a back view thereof shown with the cap in the open position;

FIG. **63** is a front perspective view thereof shown with the cap in the open position; and,

FIG. **64** is a rear perspective view thereof shown with the cap in the open position.

The broken lines shown on FIGS. **25**, **27**, **31**, **57**, **59**, and **61** illustrate portions of the pouch container that form no part of the claimed design.

1 Claim, 64 Drawing Sheets

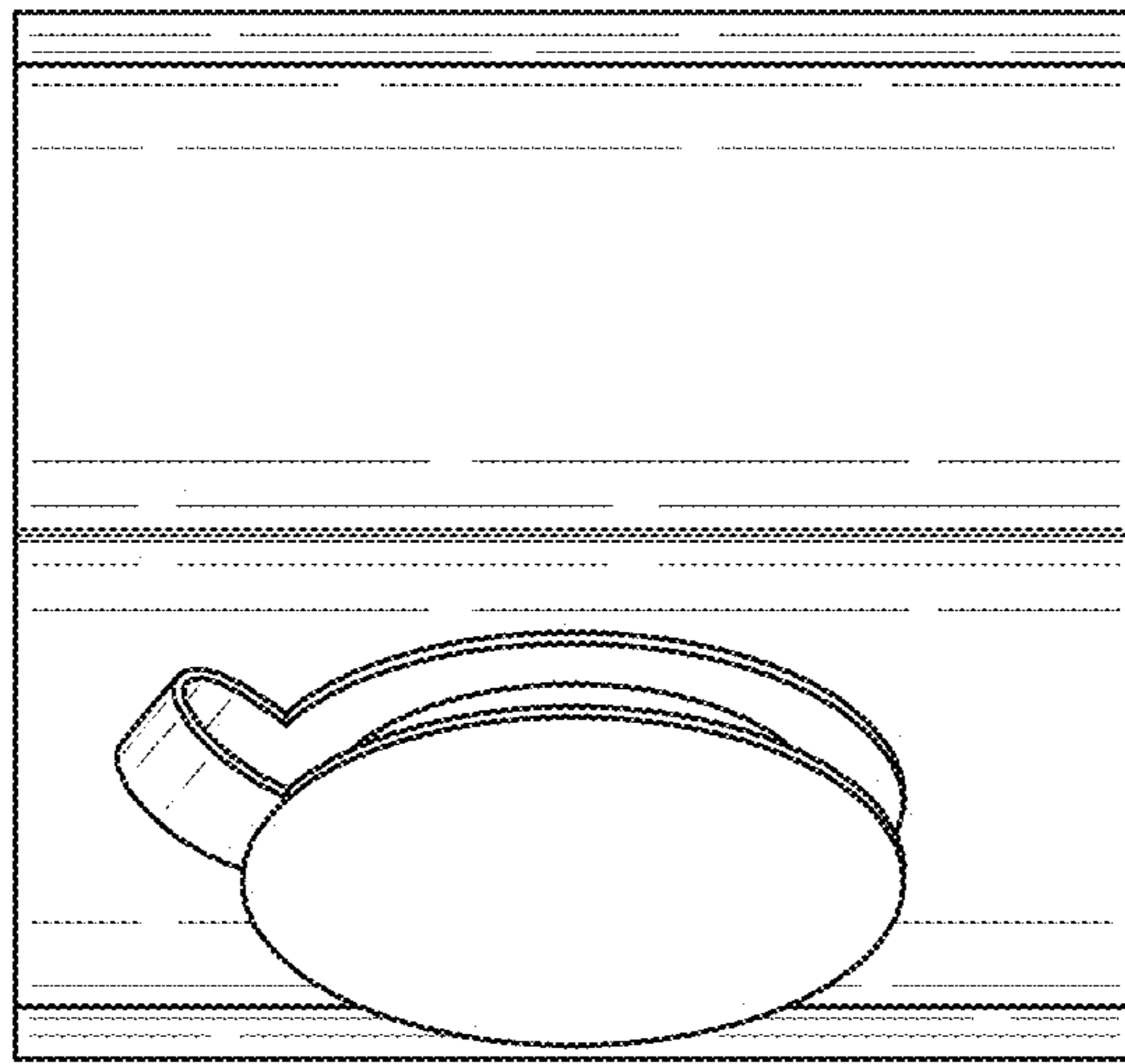


FIG. 1

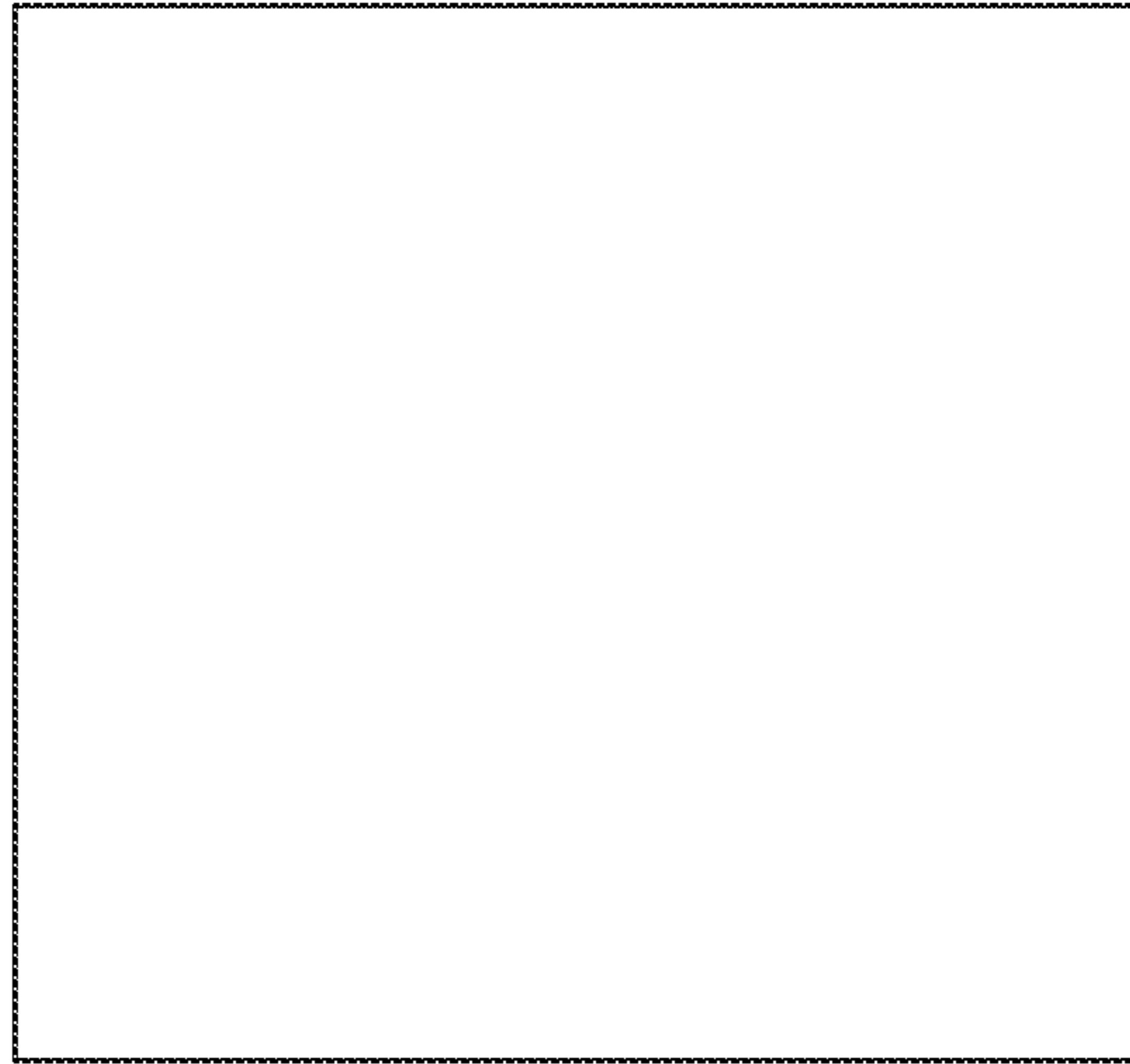


FIG. 2

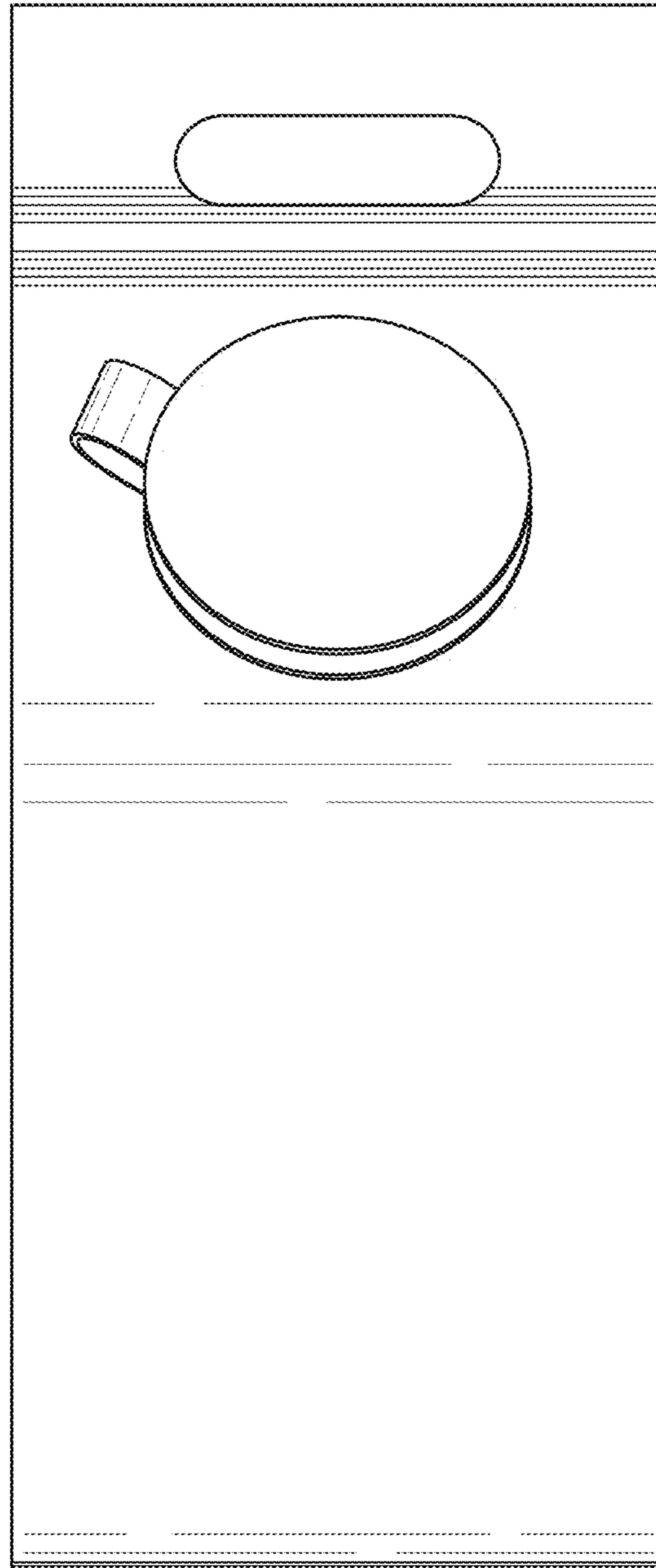


FIG. 3

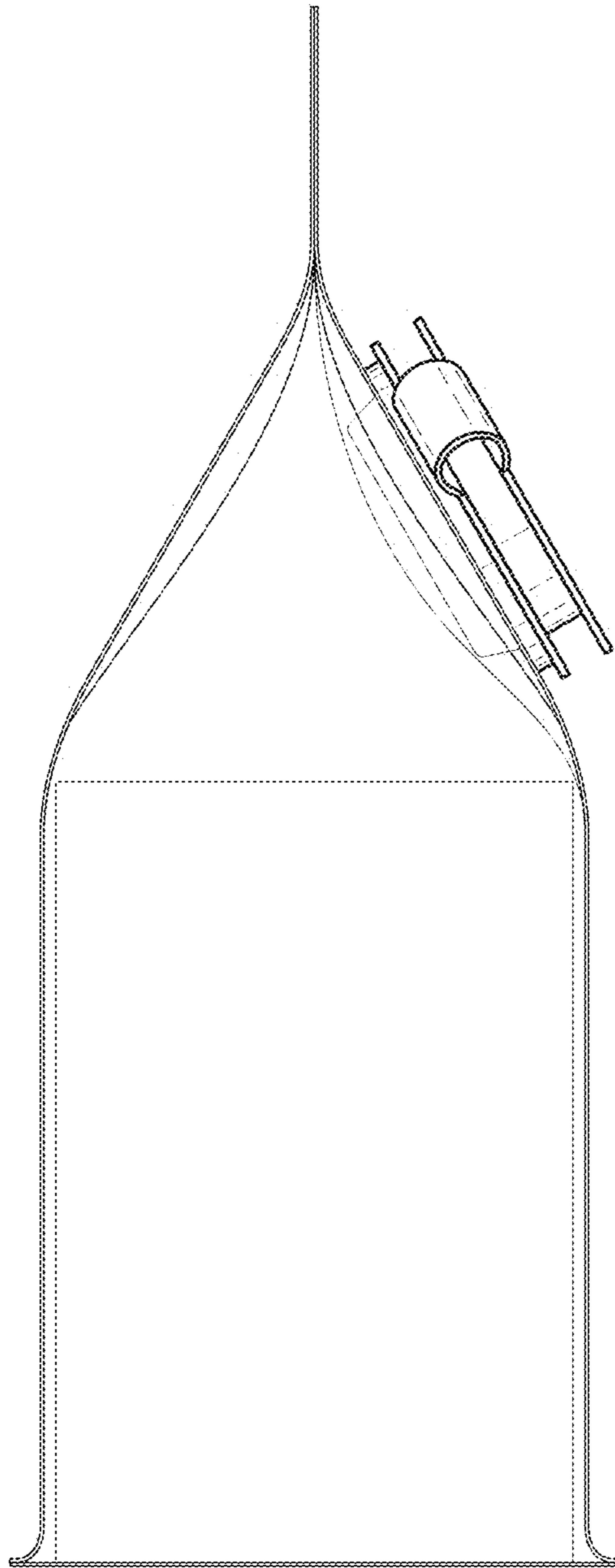


FIG. 4

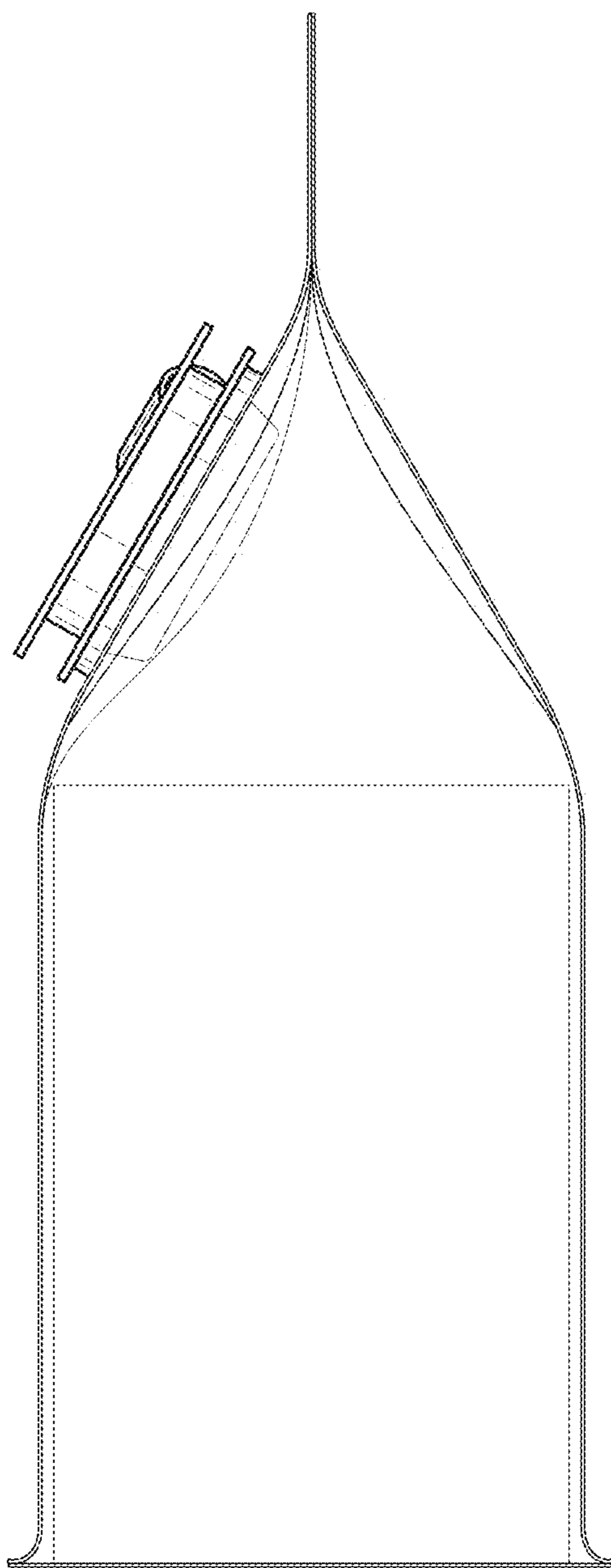


FIG. 5

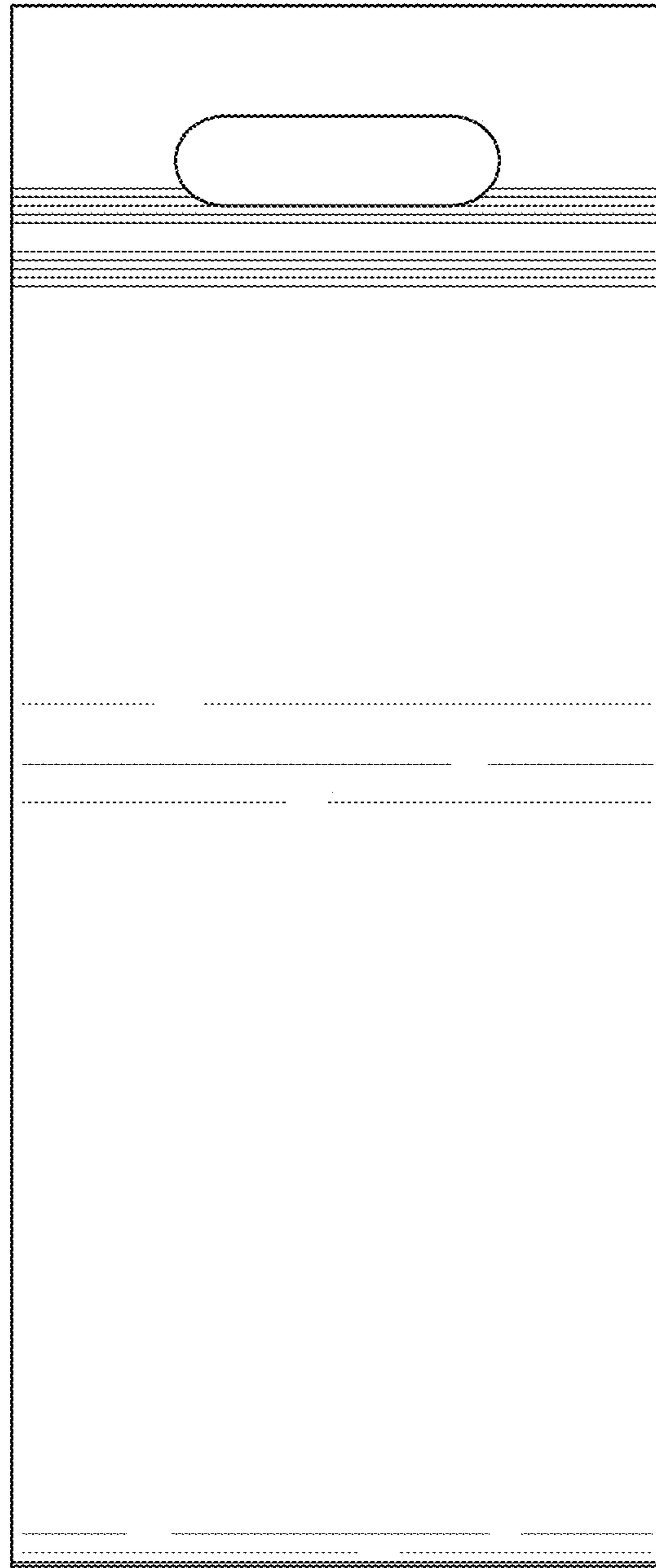


FIG. 6

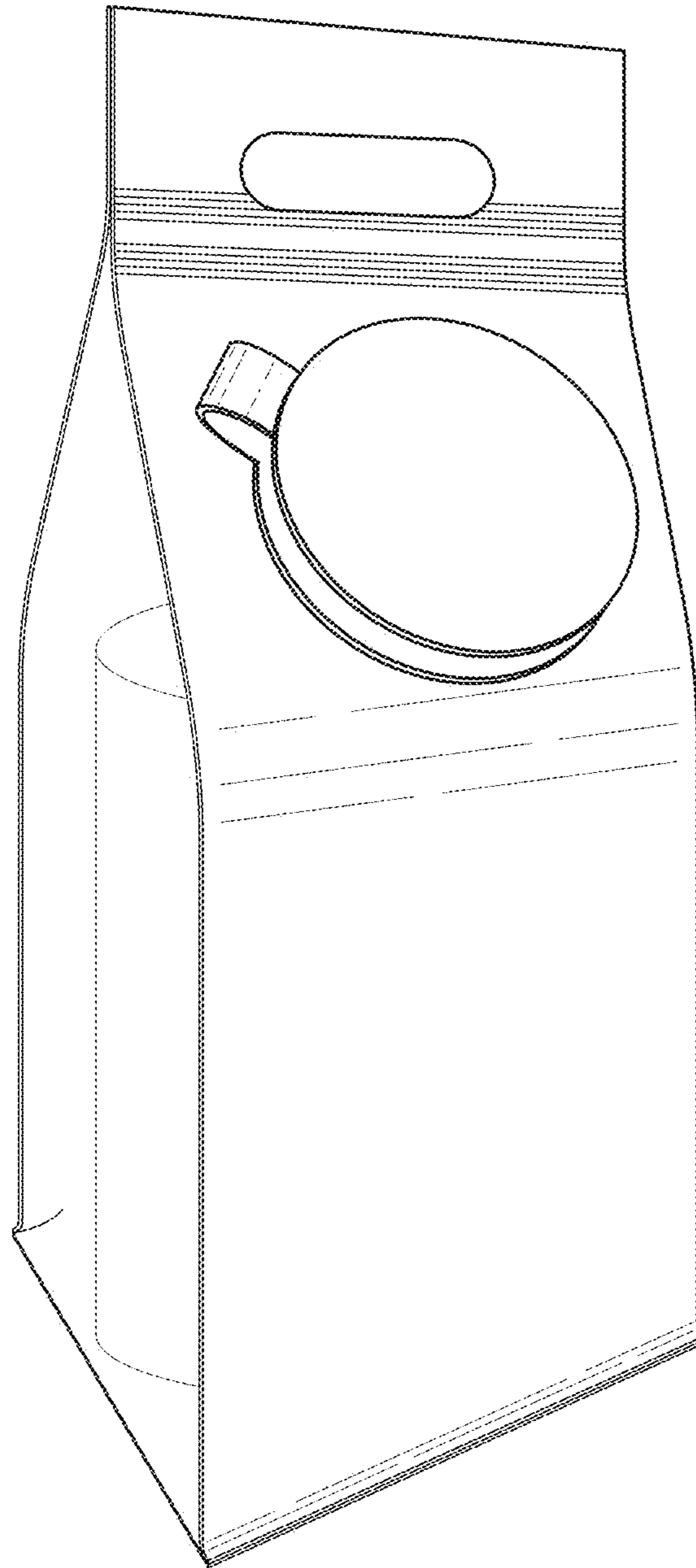


FIG. 7

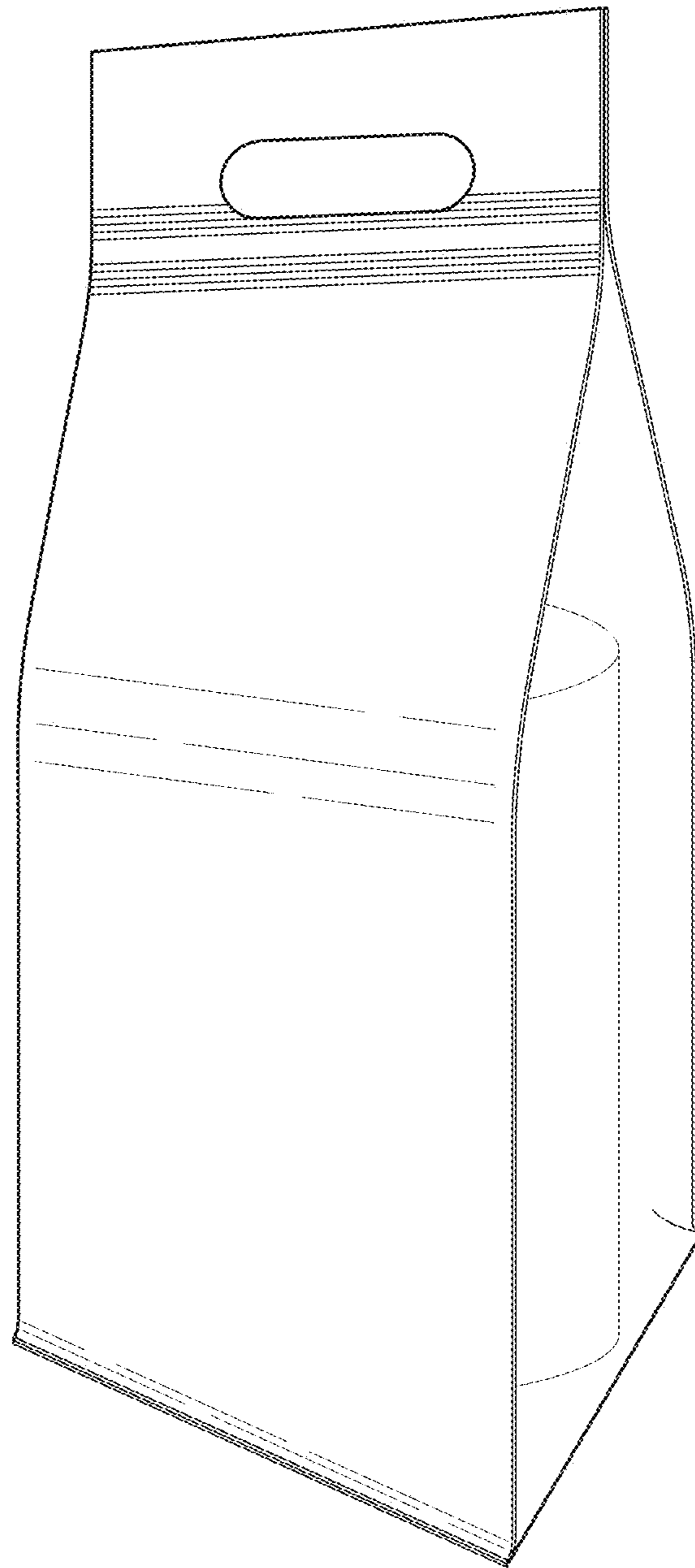


FIG. 8

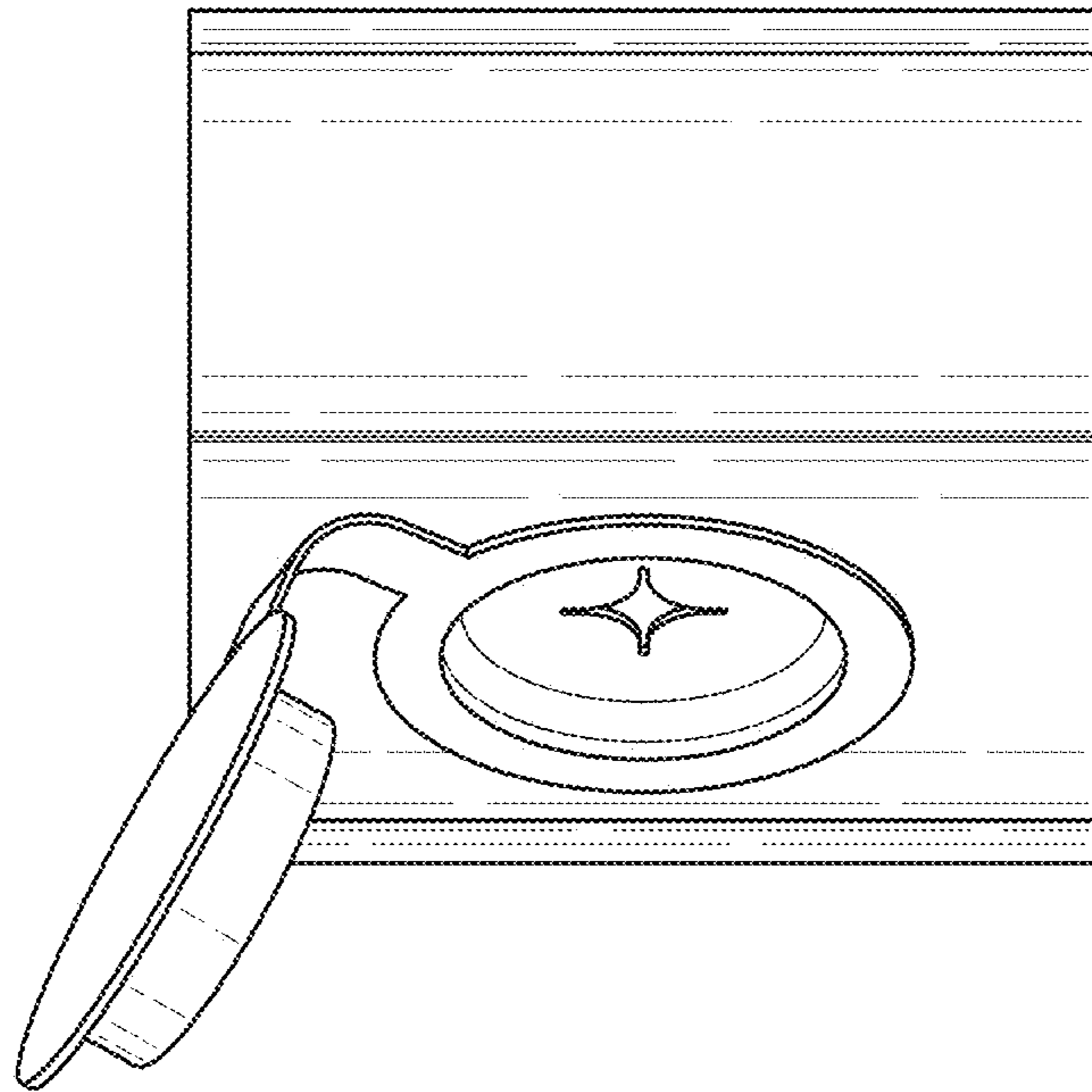


FIG. 9

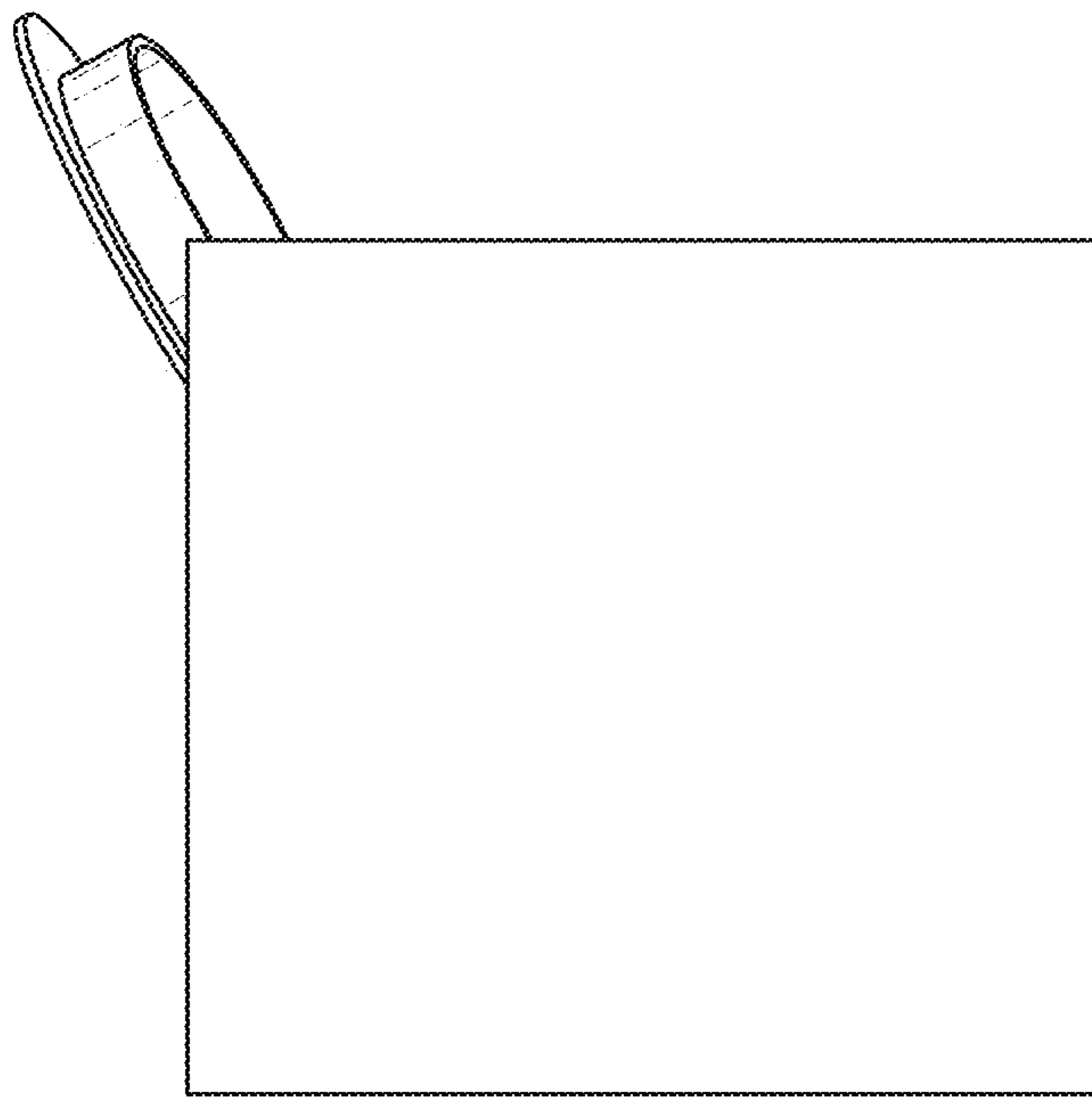


FIG. 10

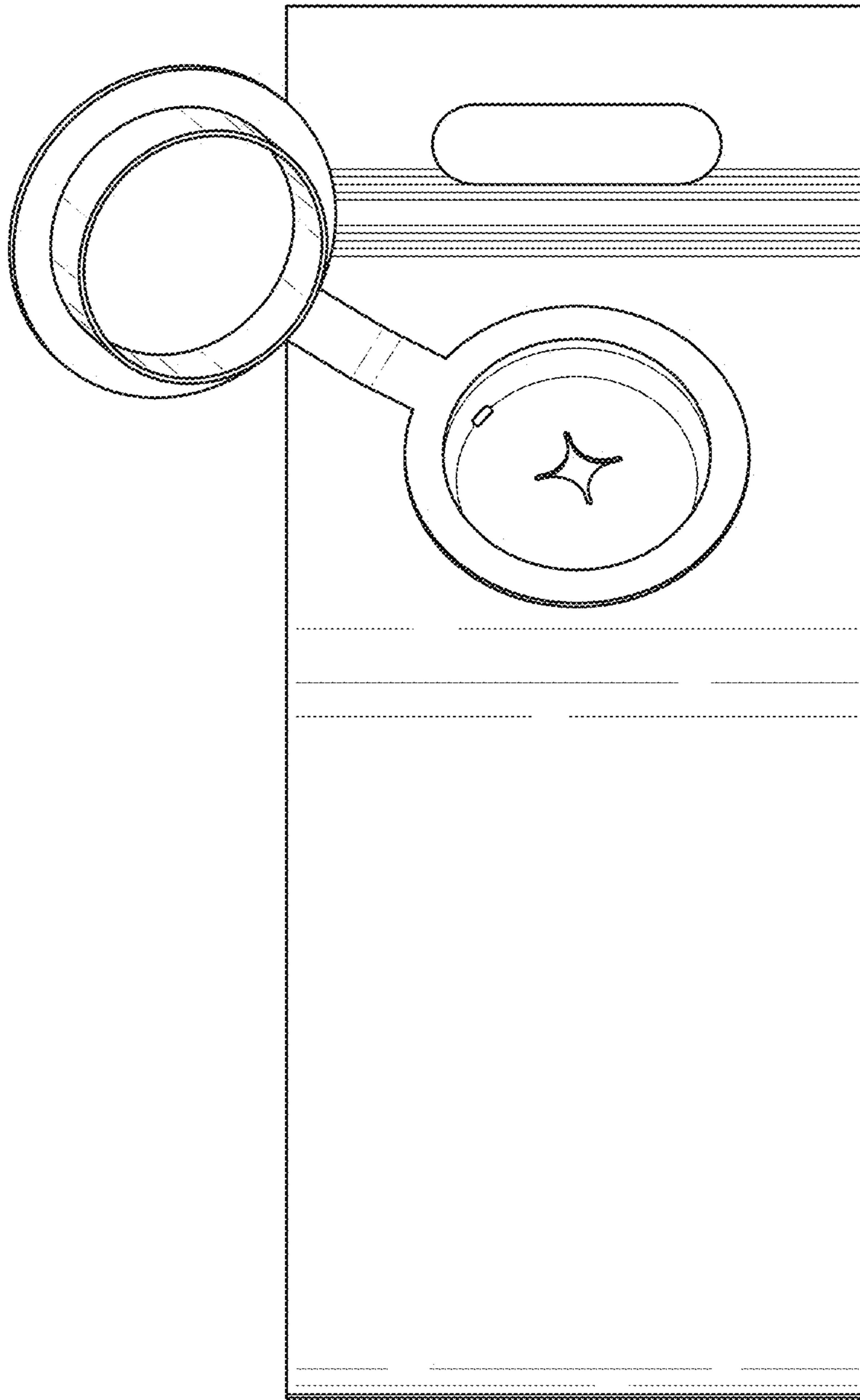


FIG. 11

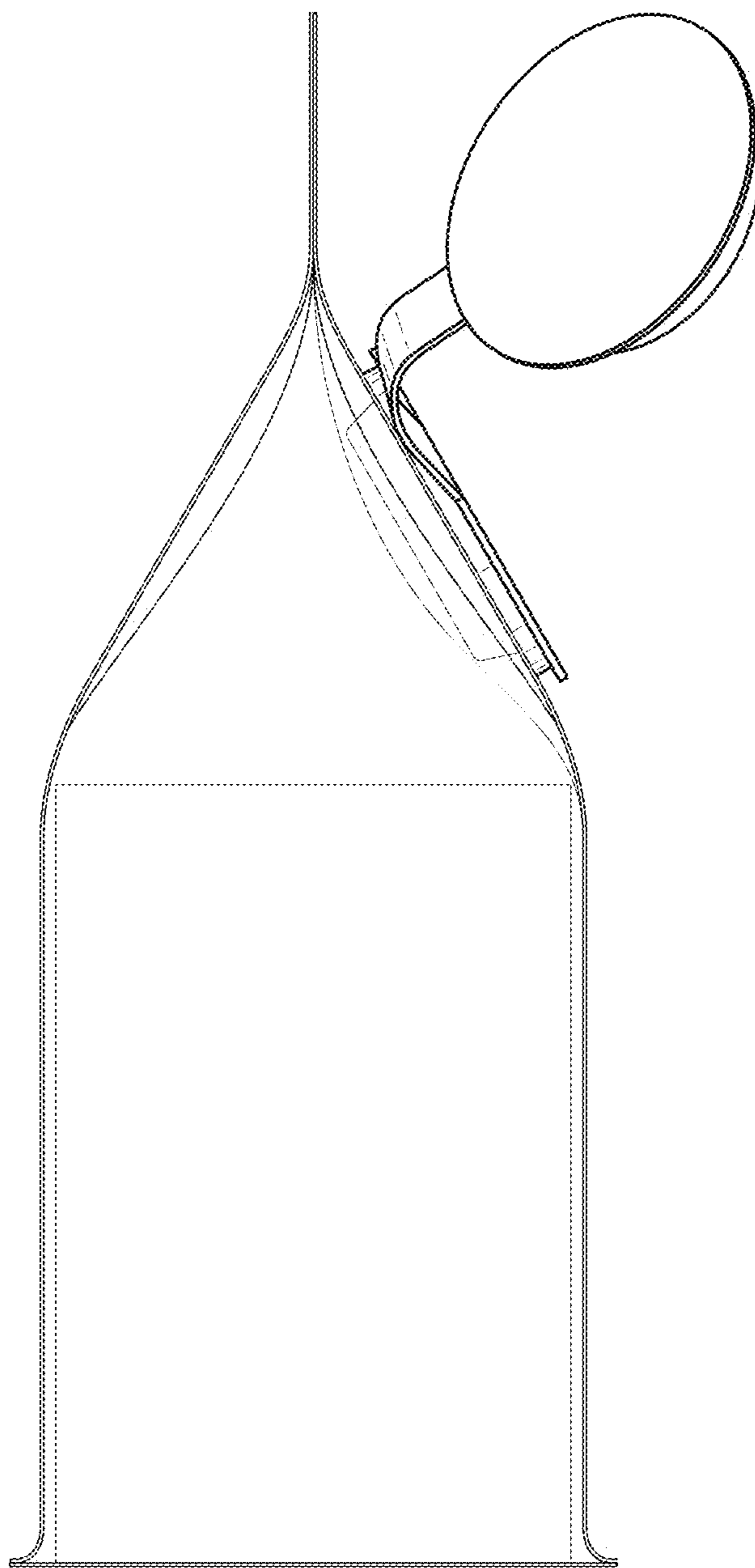


FIG. 12

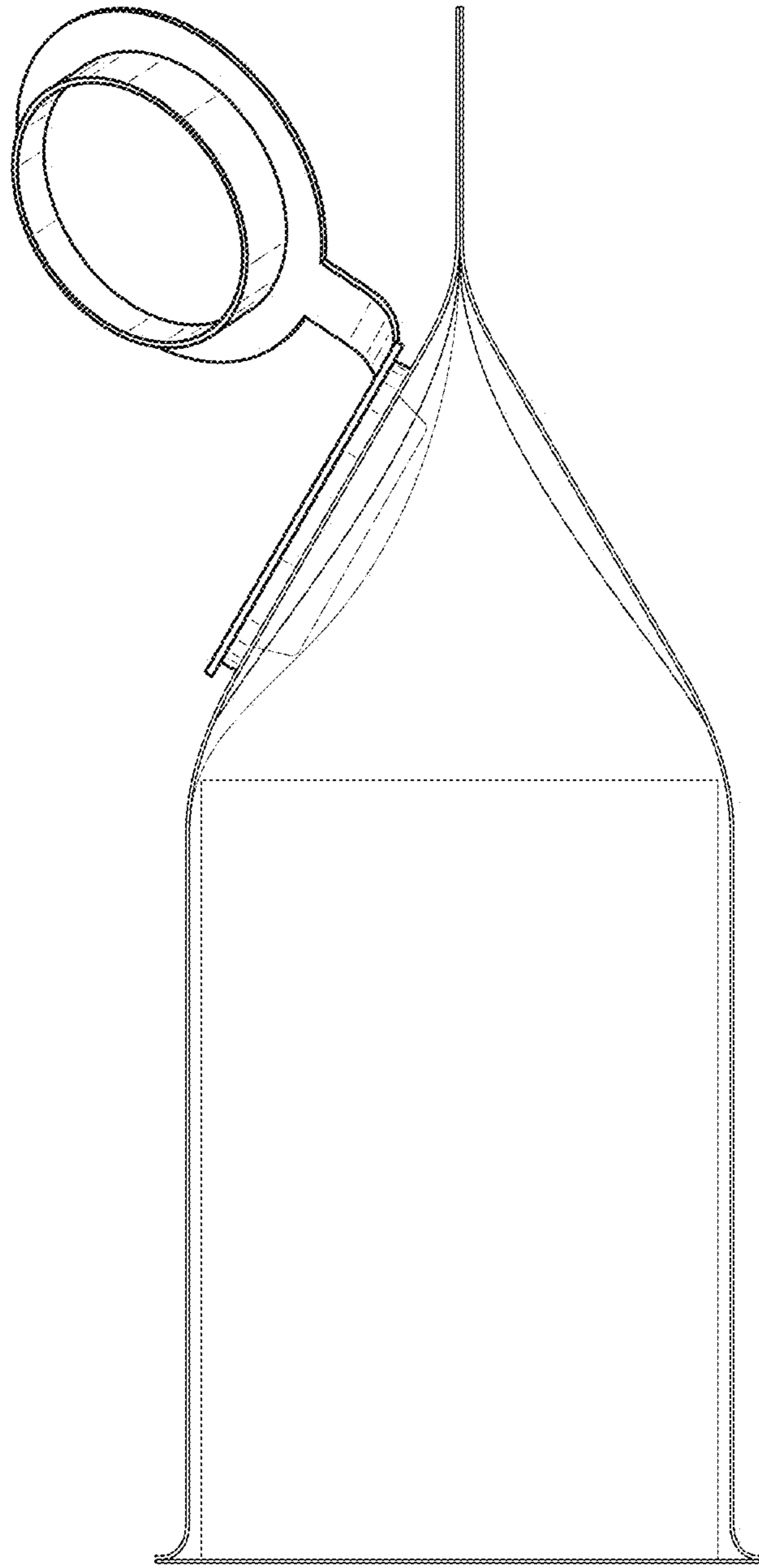


FIG. 13

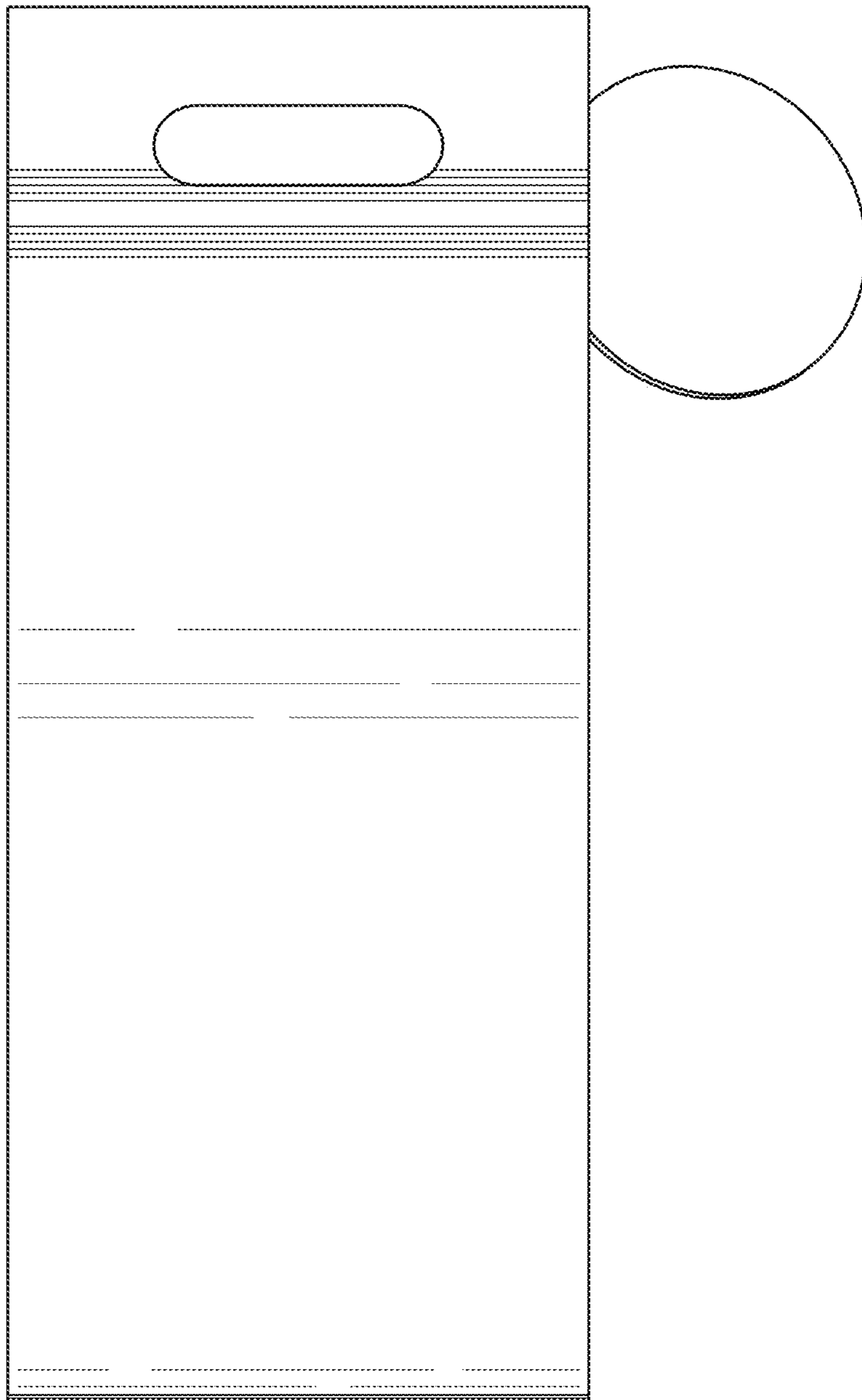


FIG. 14

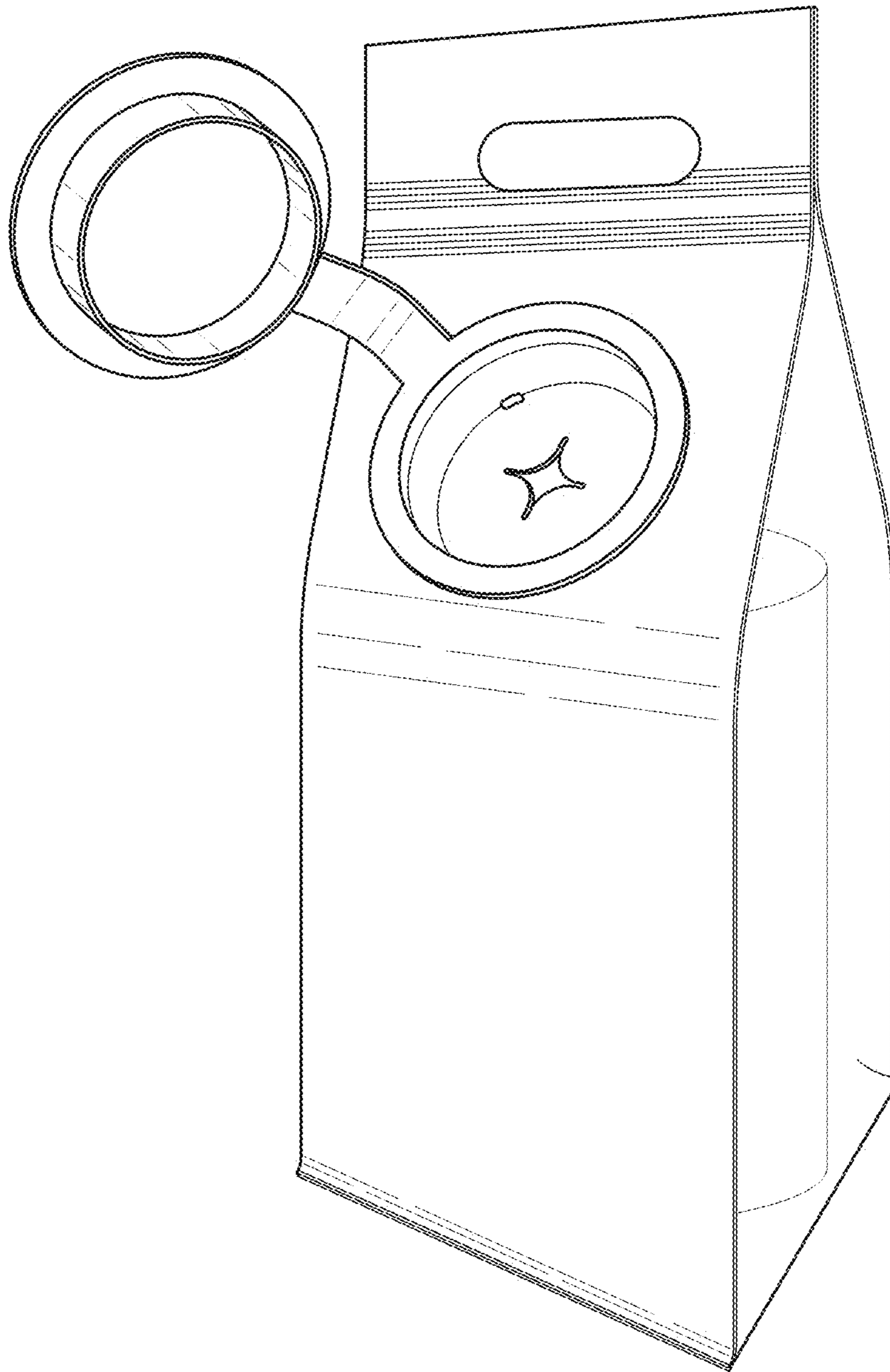


FIG. 15

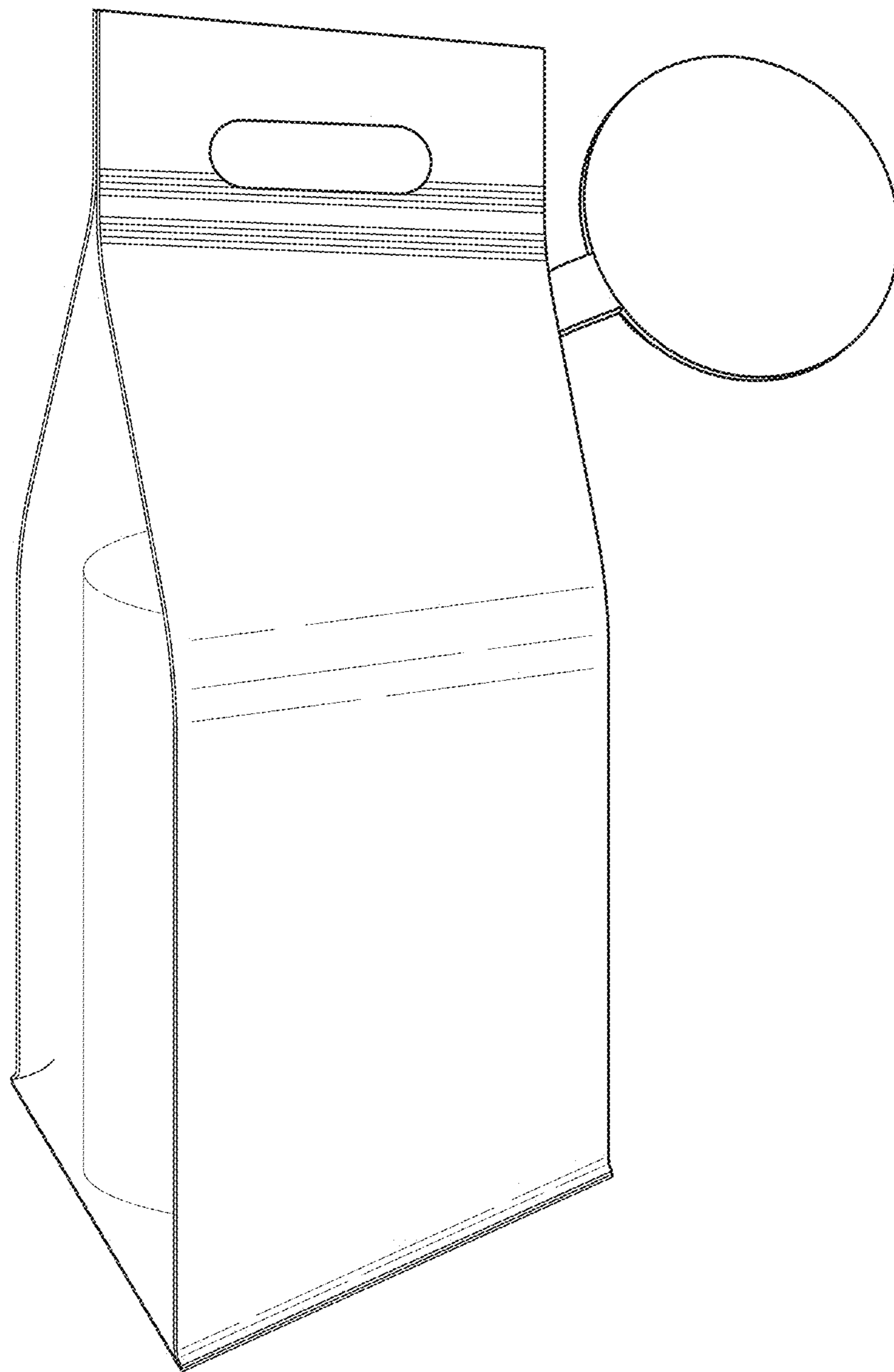


FIG. 16

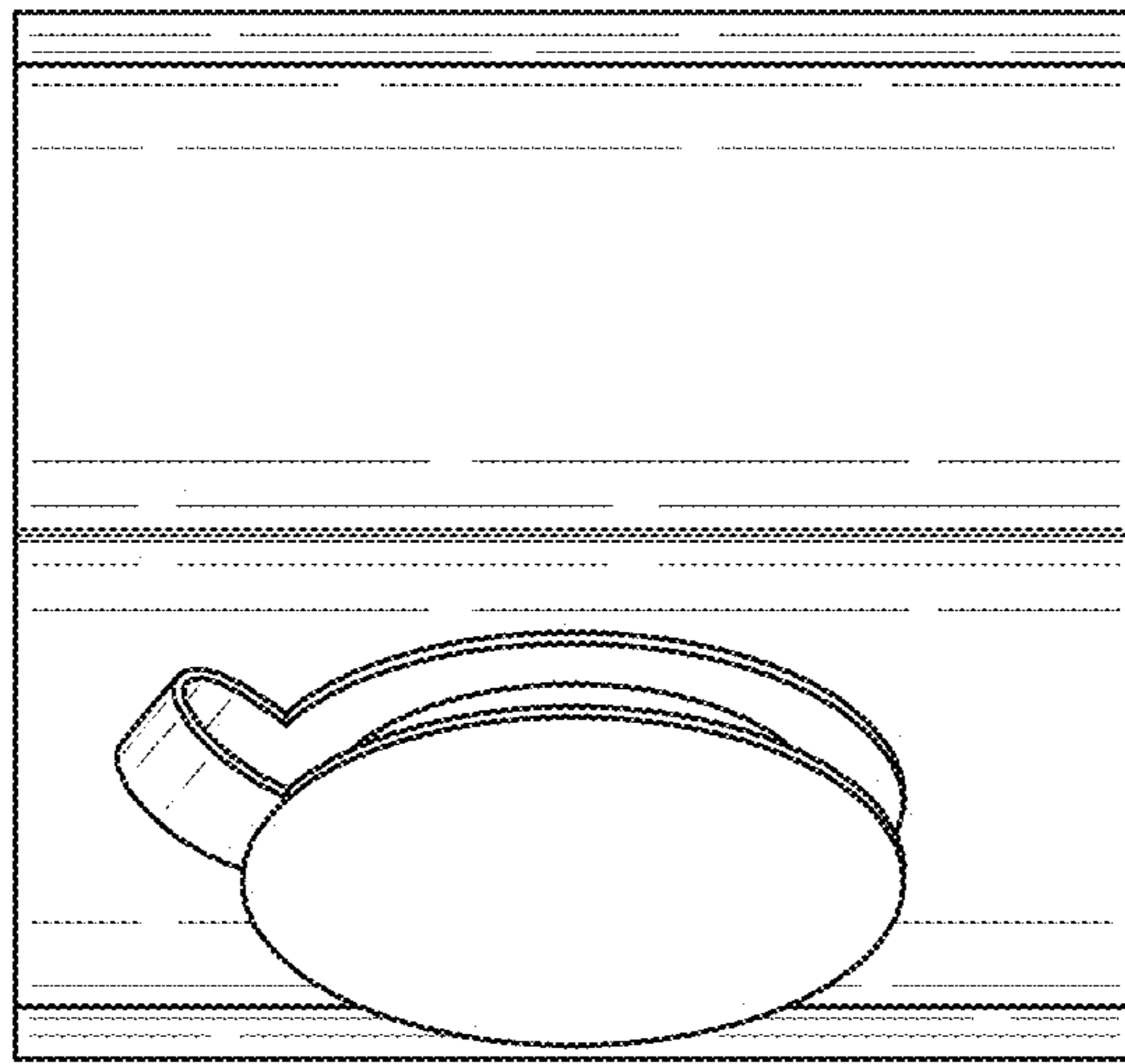


FIG. 17

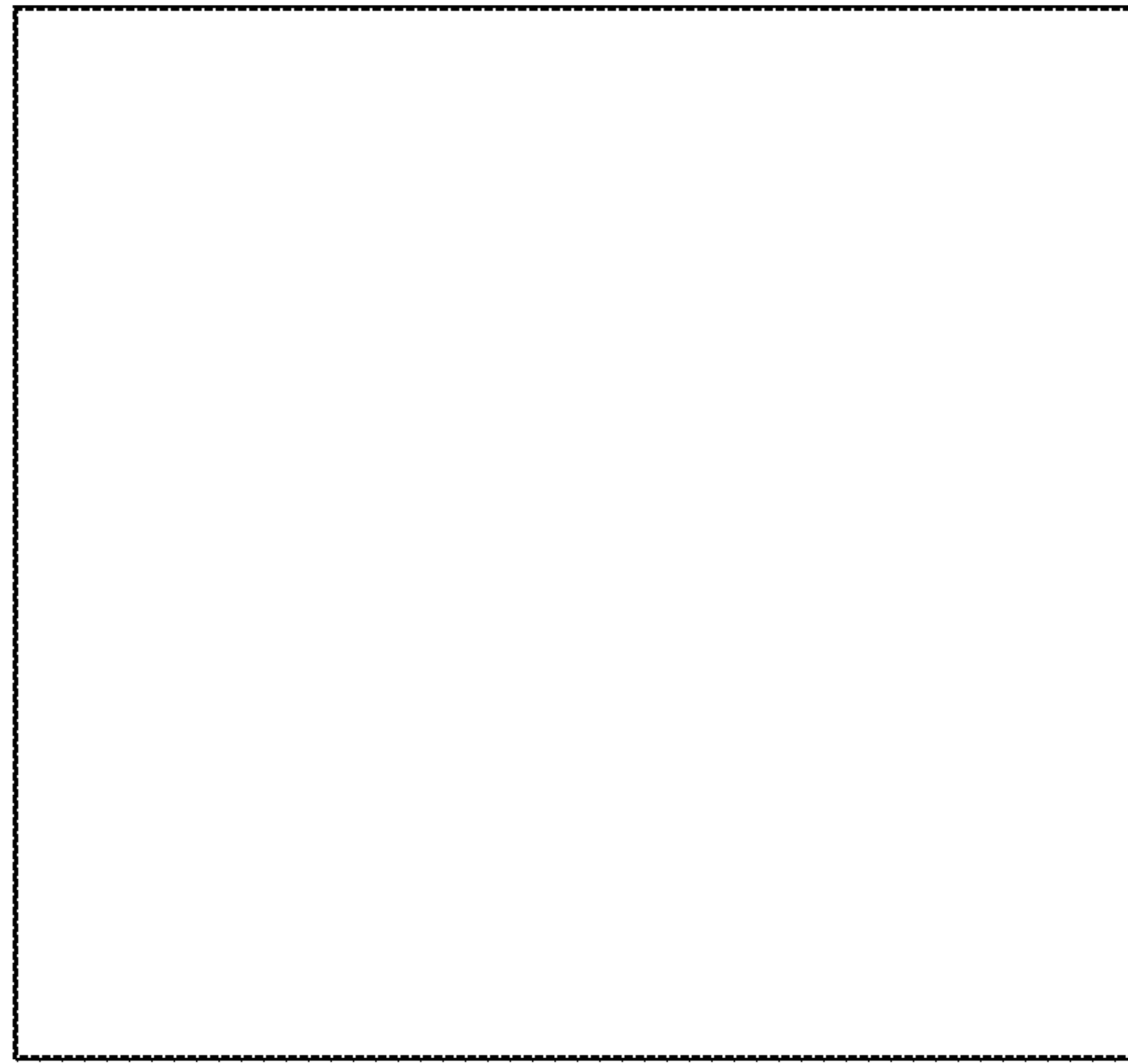


FIG. 18

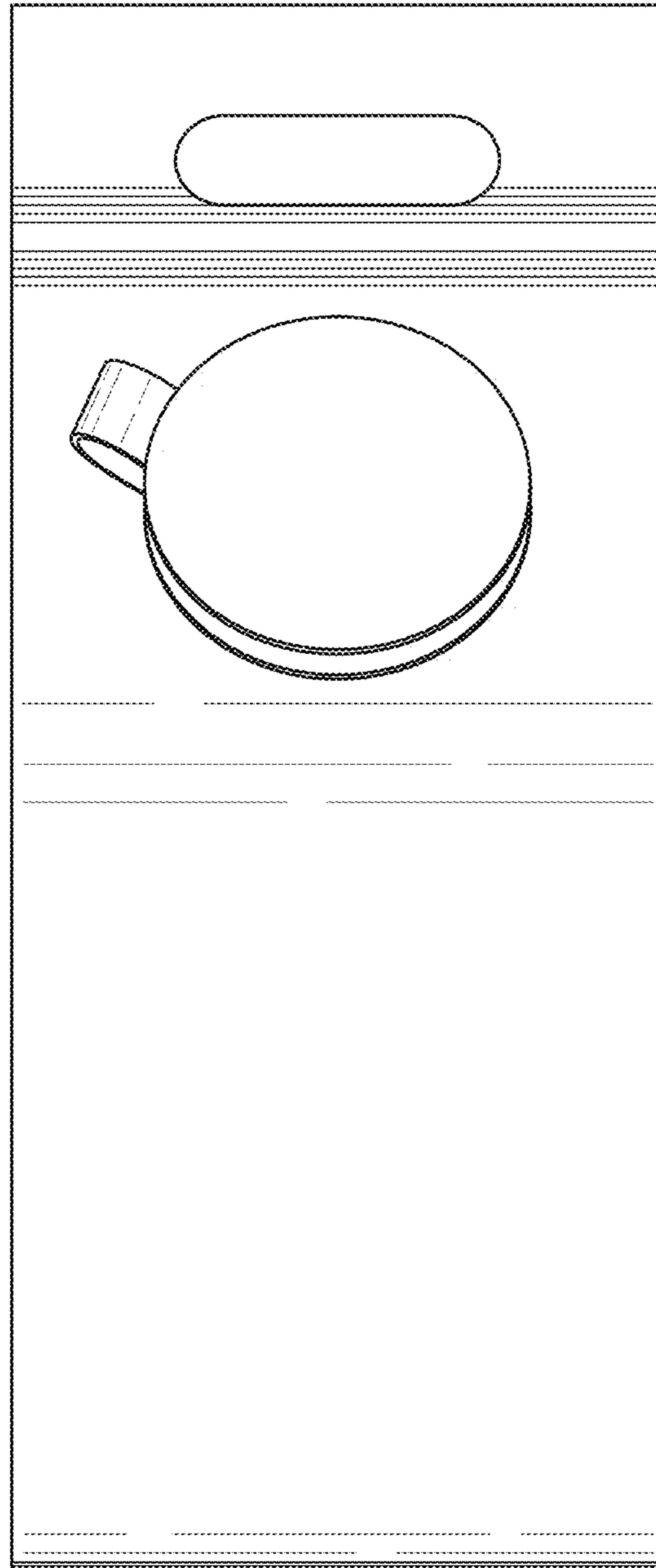


FIG. 19

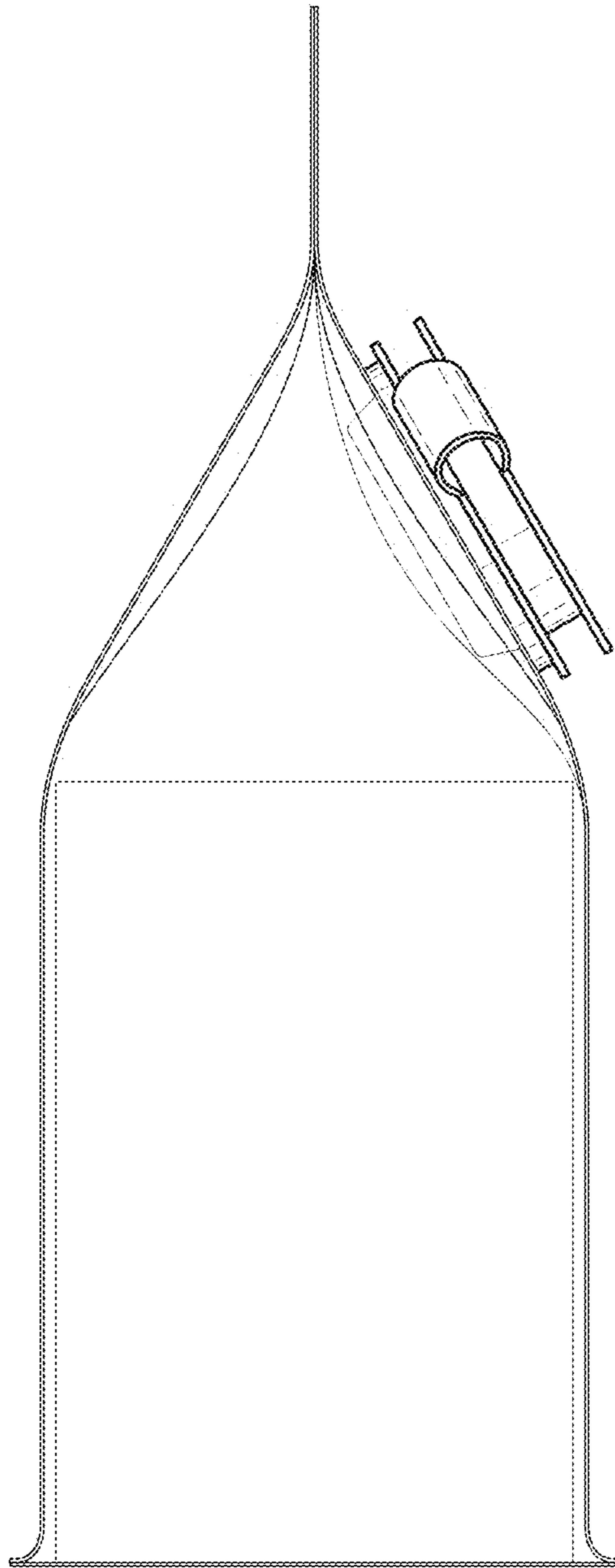


FIG. 20

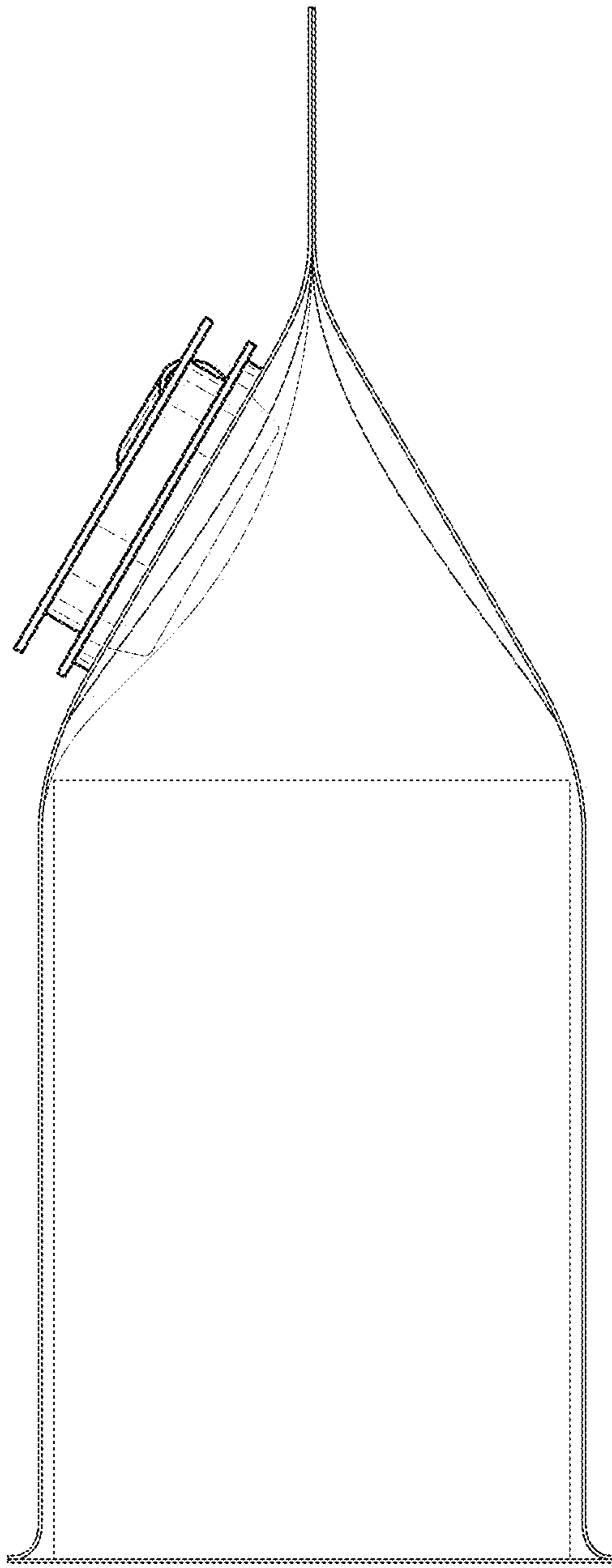


FIG. 21

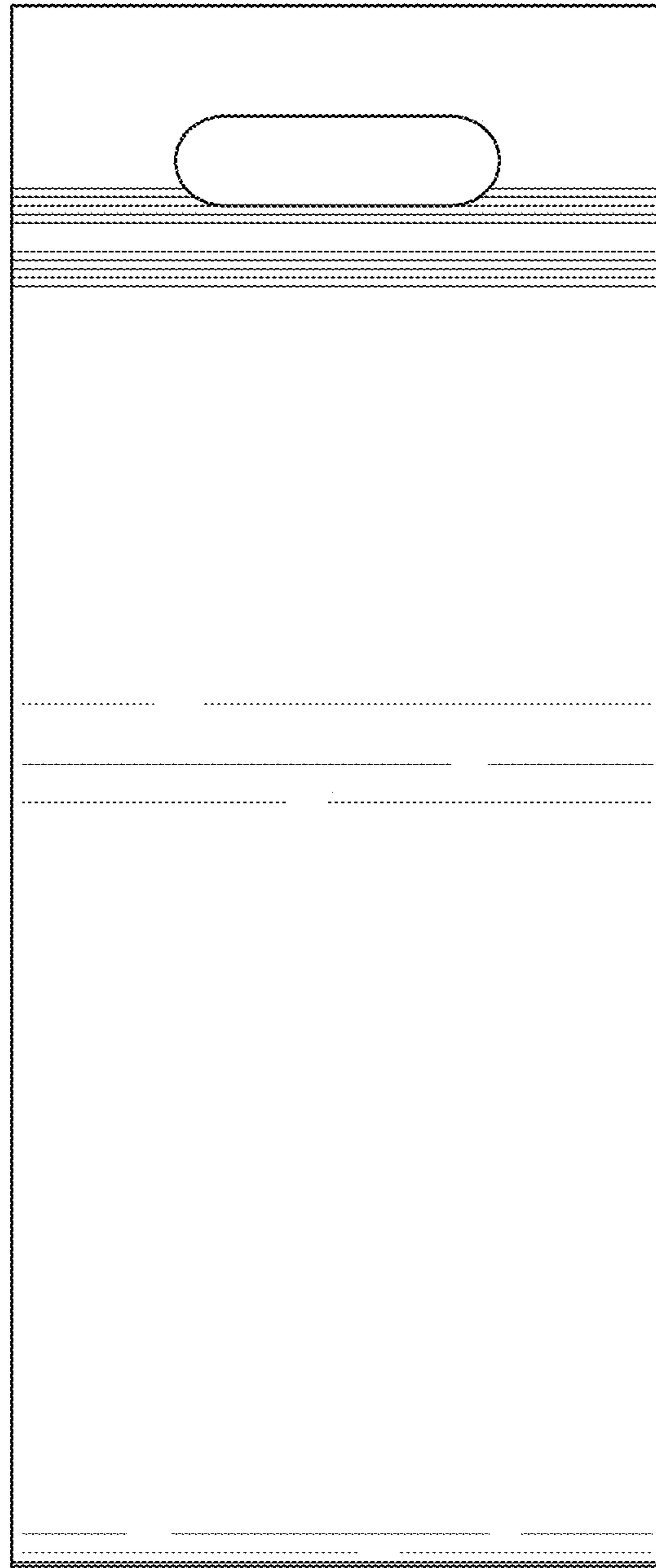


FIG. 22

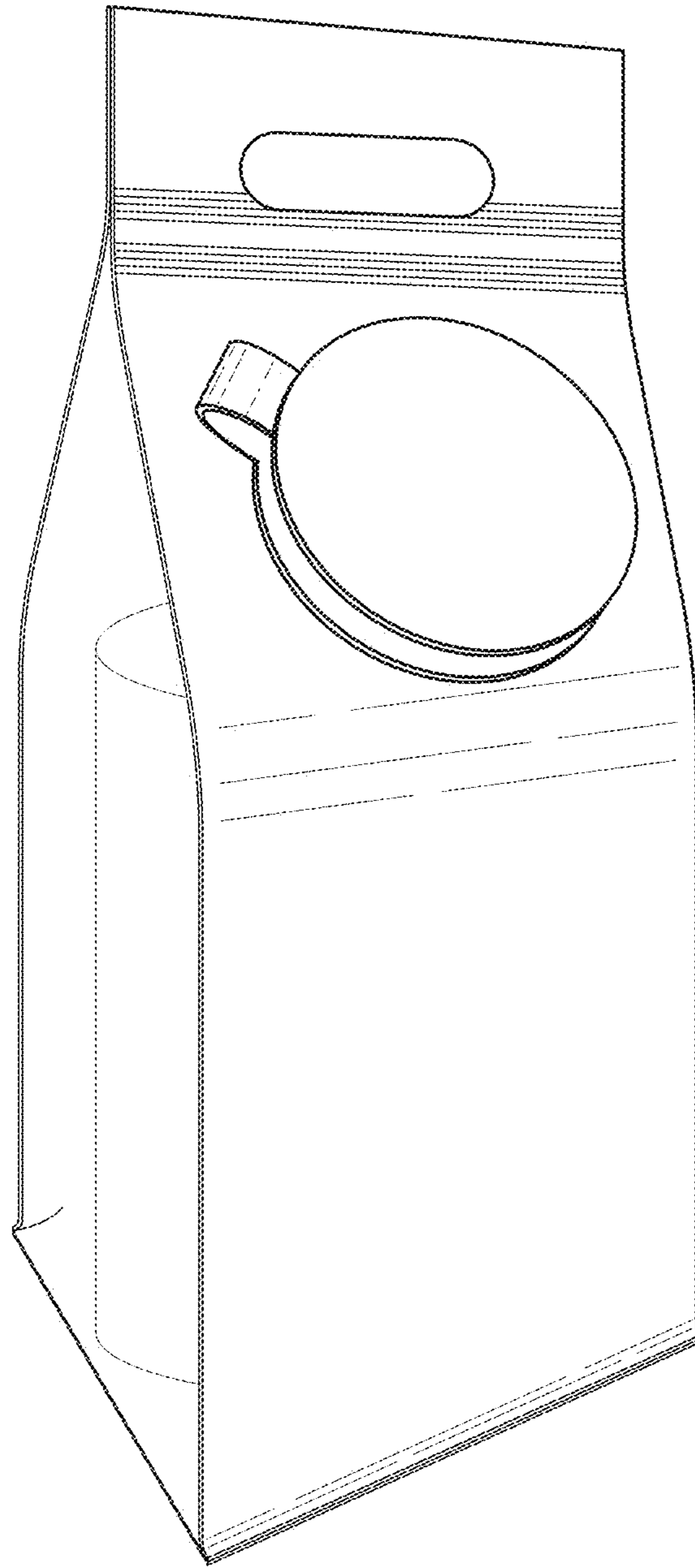


FIG. 23

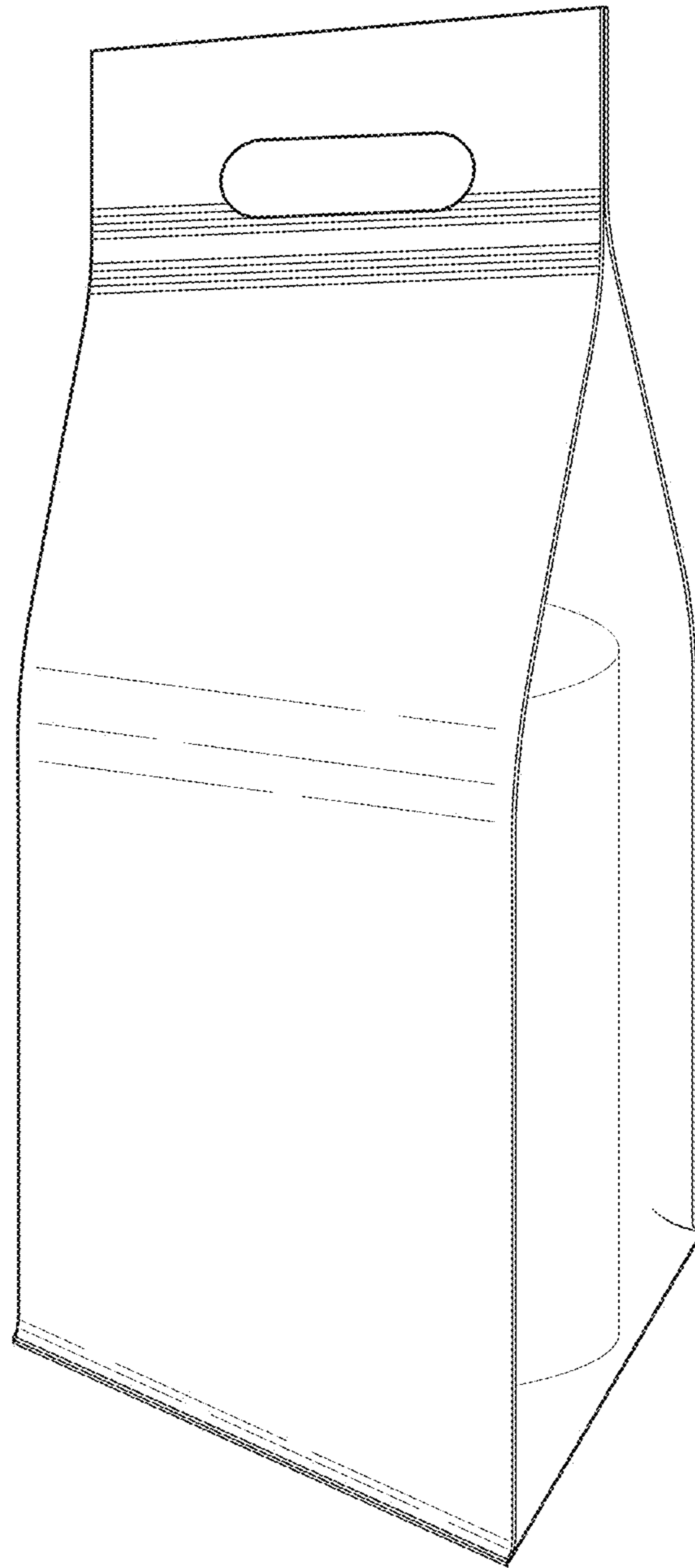


FIG. 24

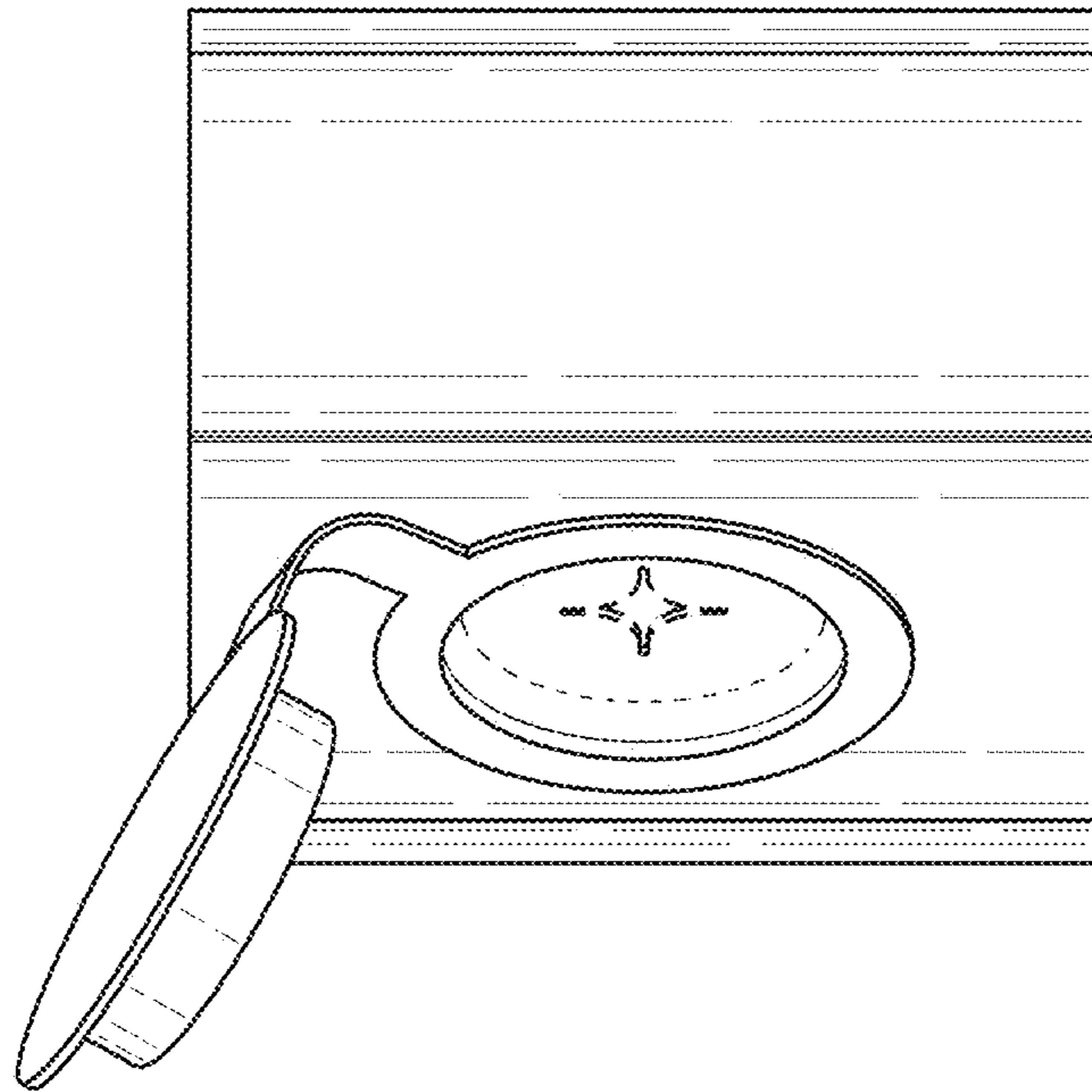


FIG. 25

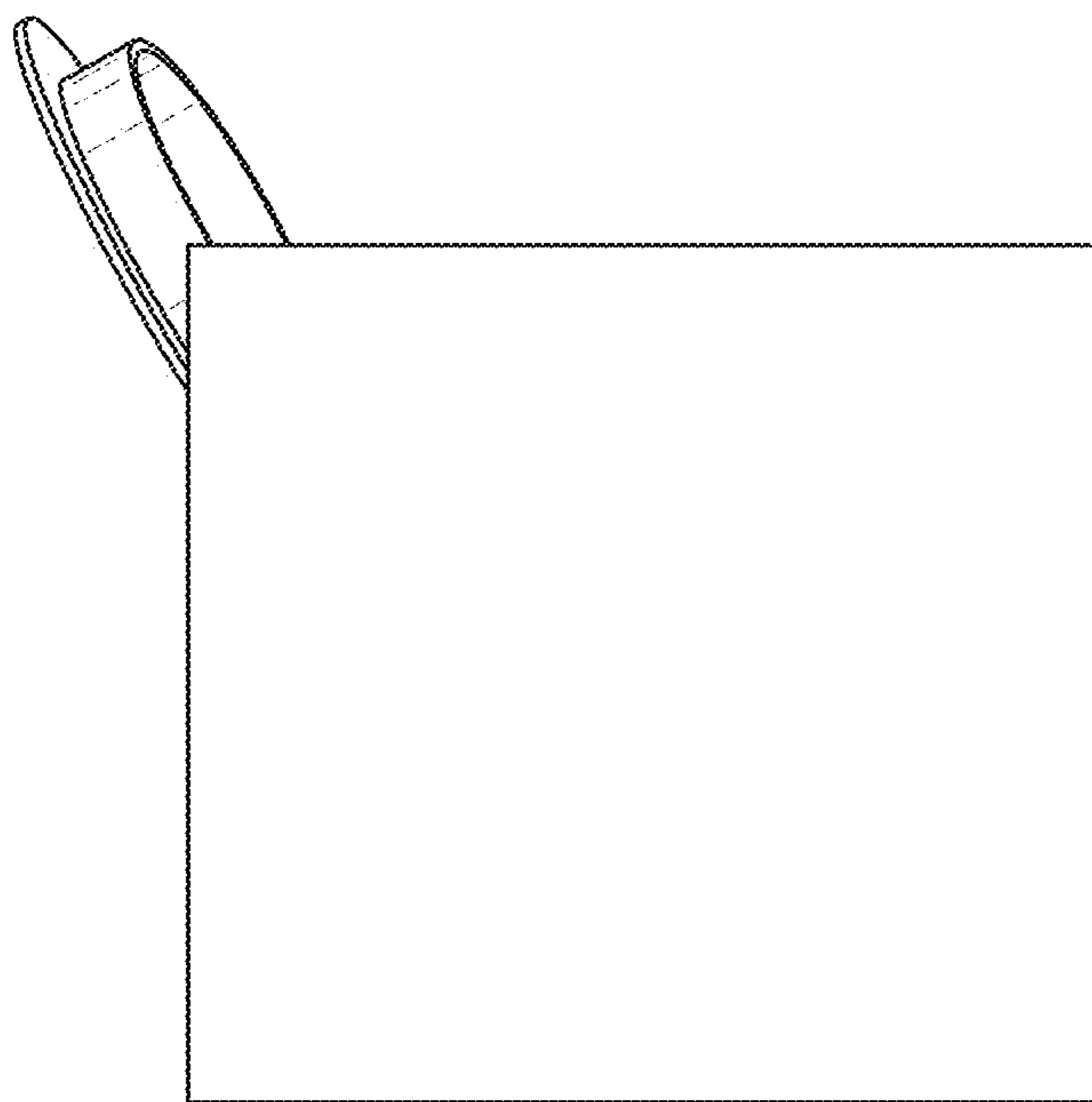


FIG. 26

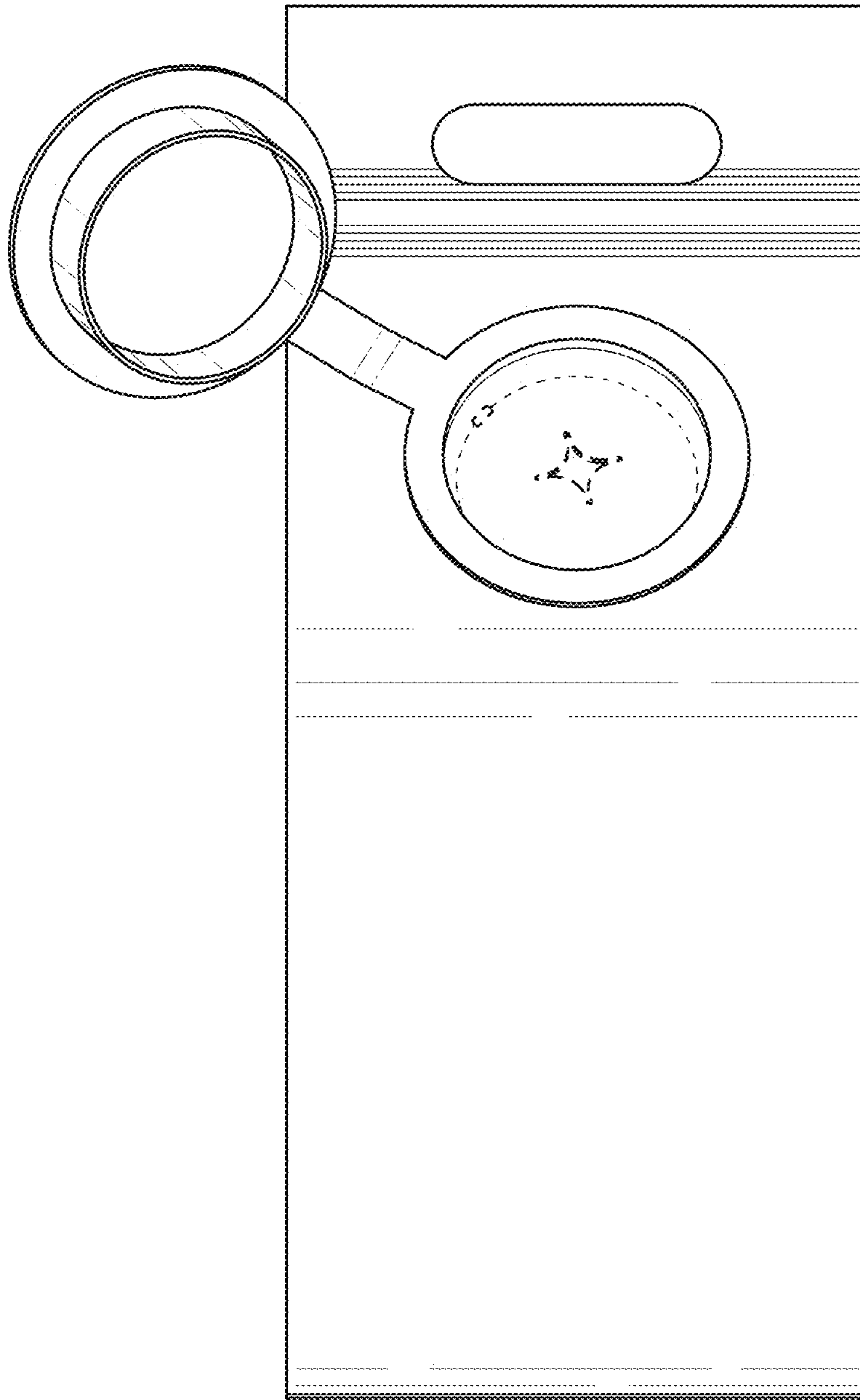


FIG. 27

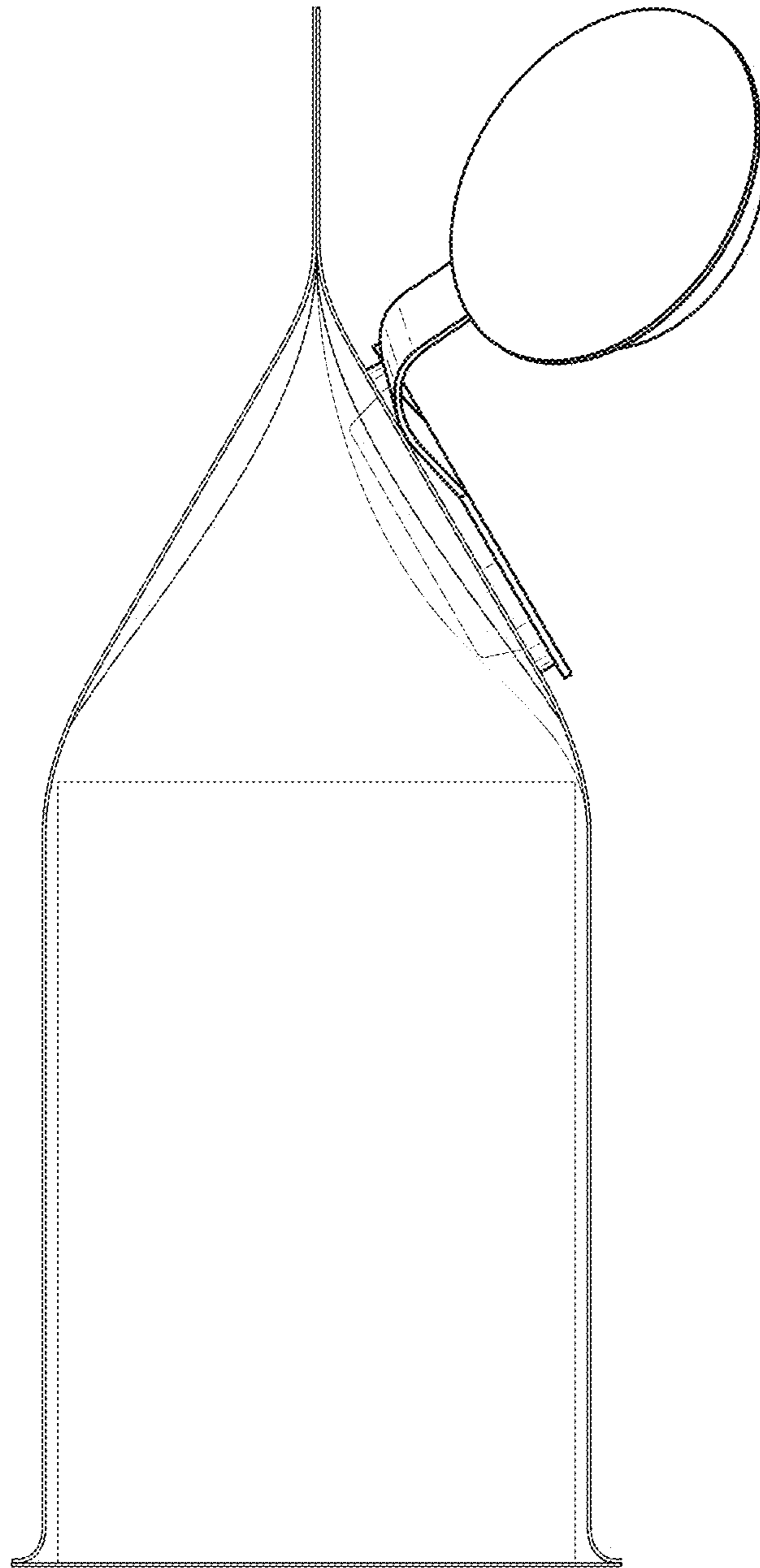


FIG. 28

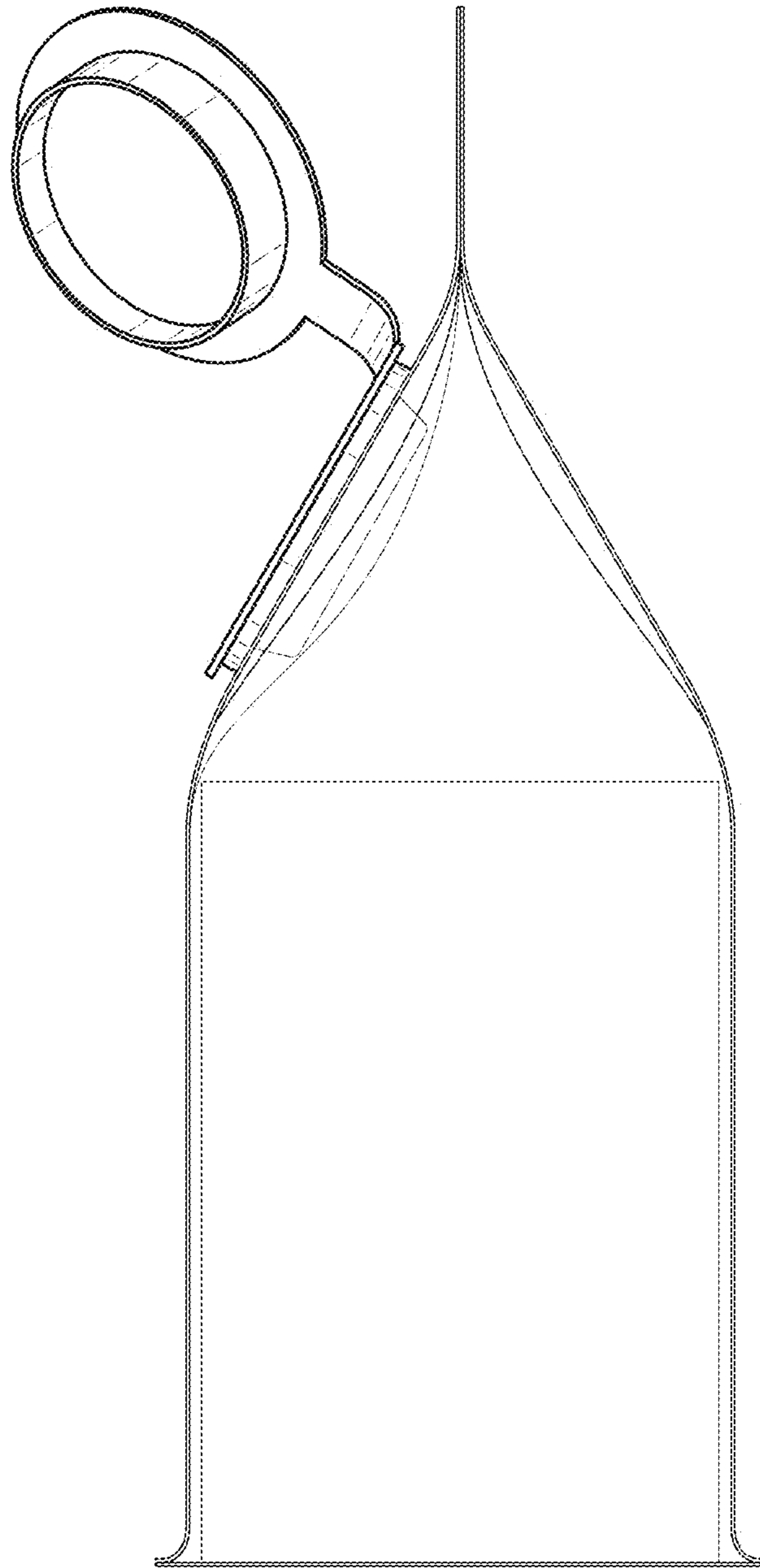


FIG. 29

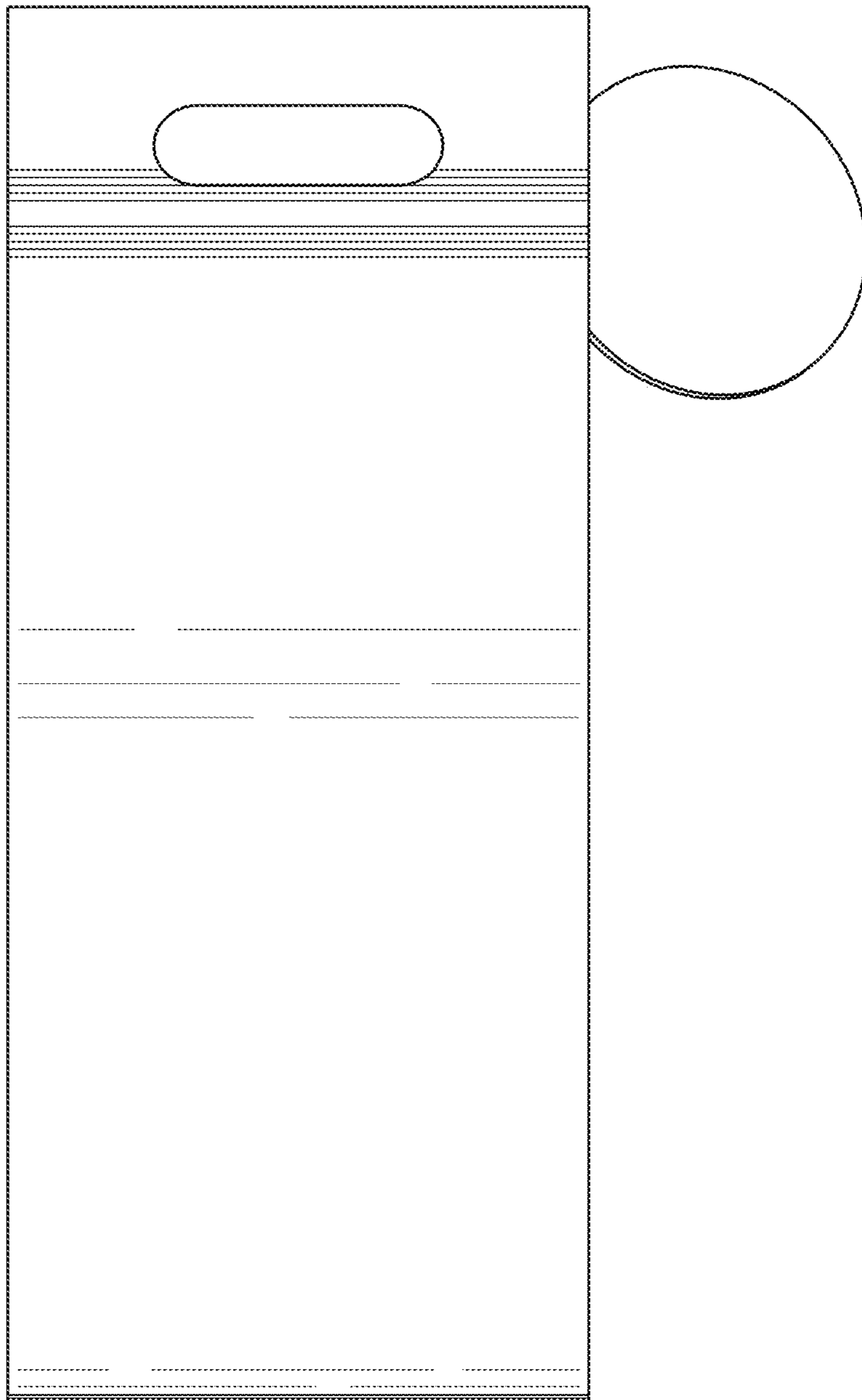


FIG. 30

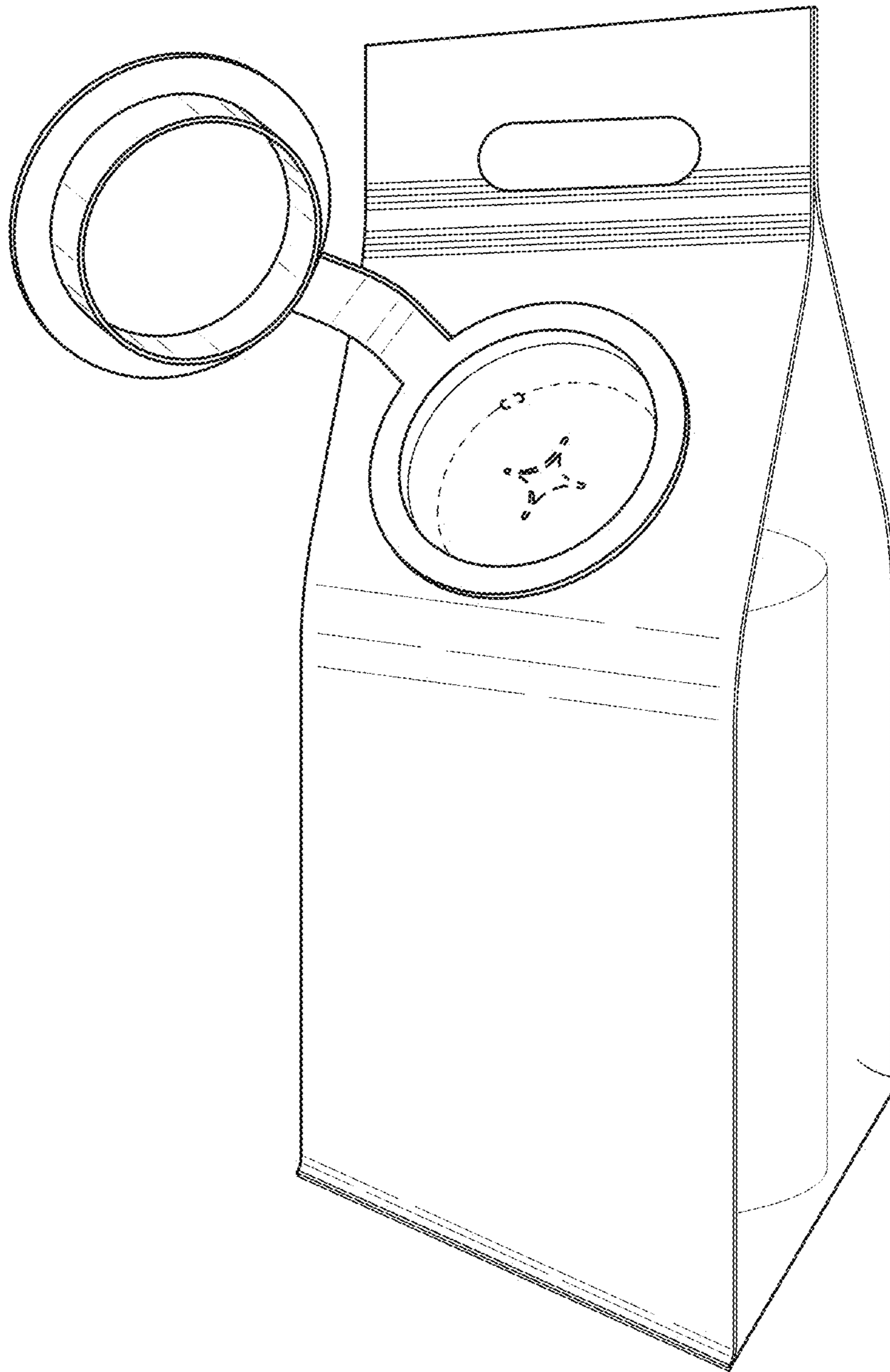


FIG. 31

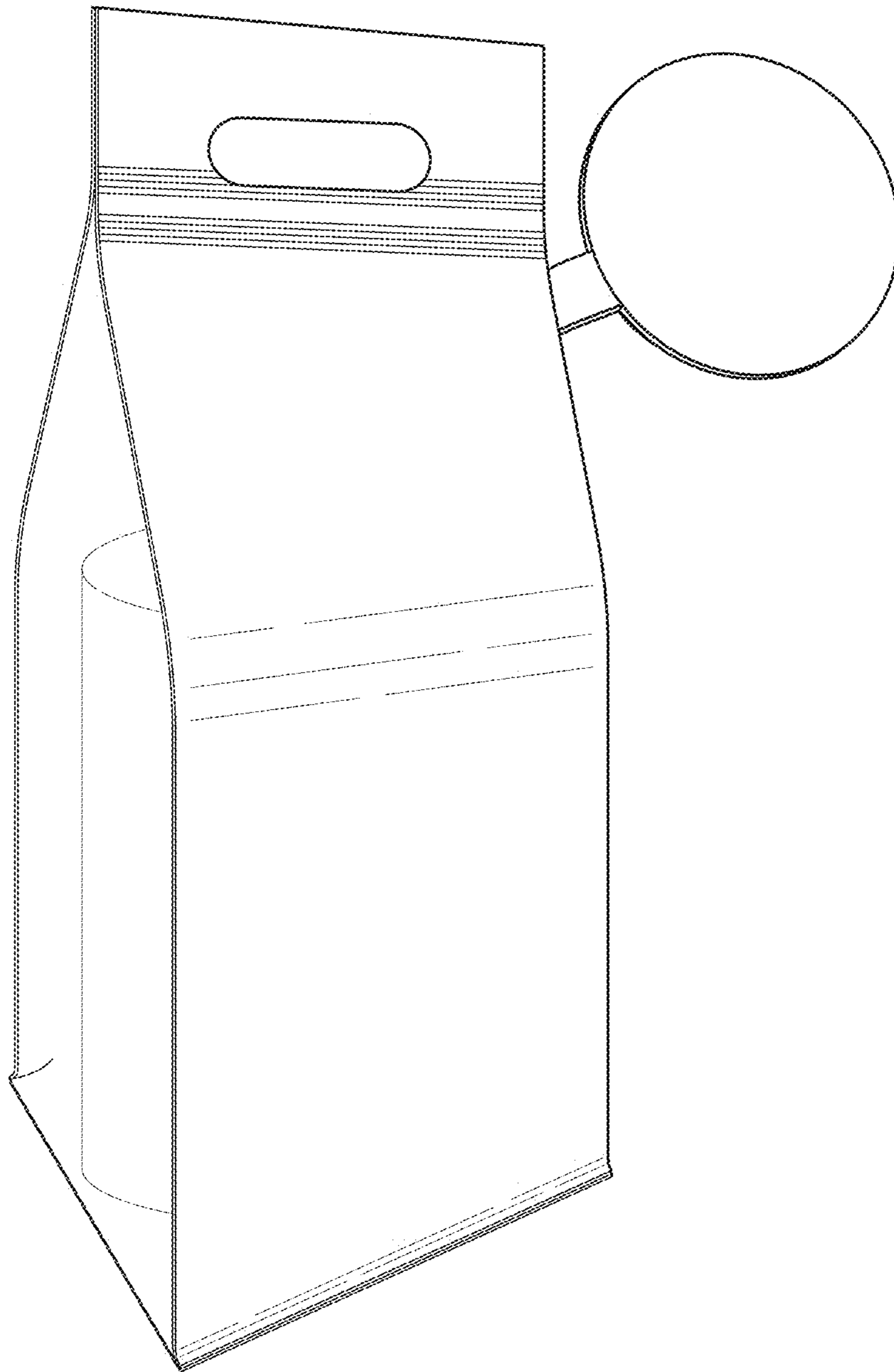


FIG. 32

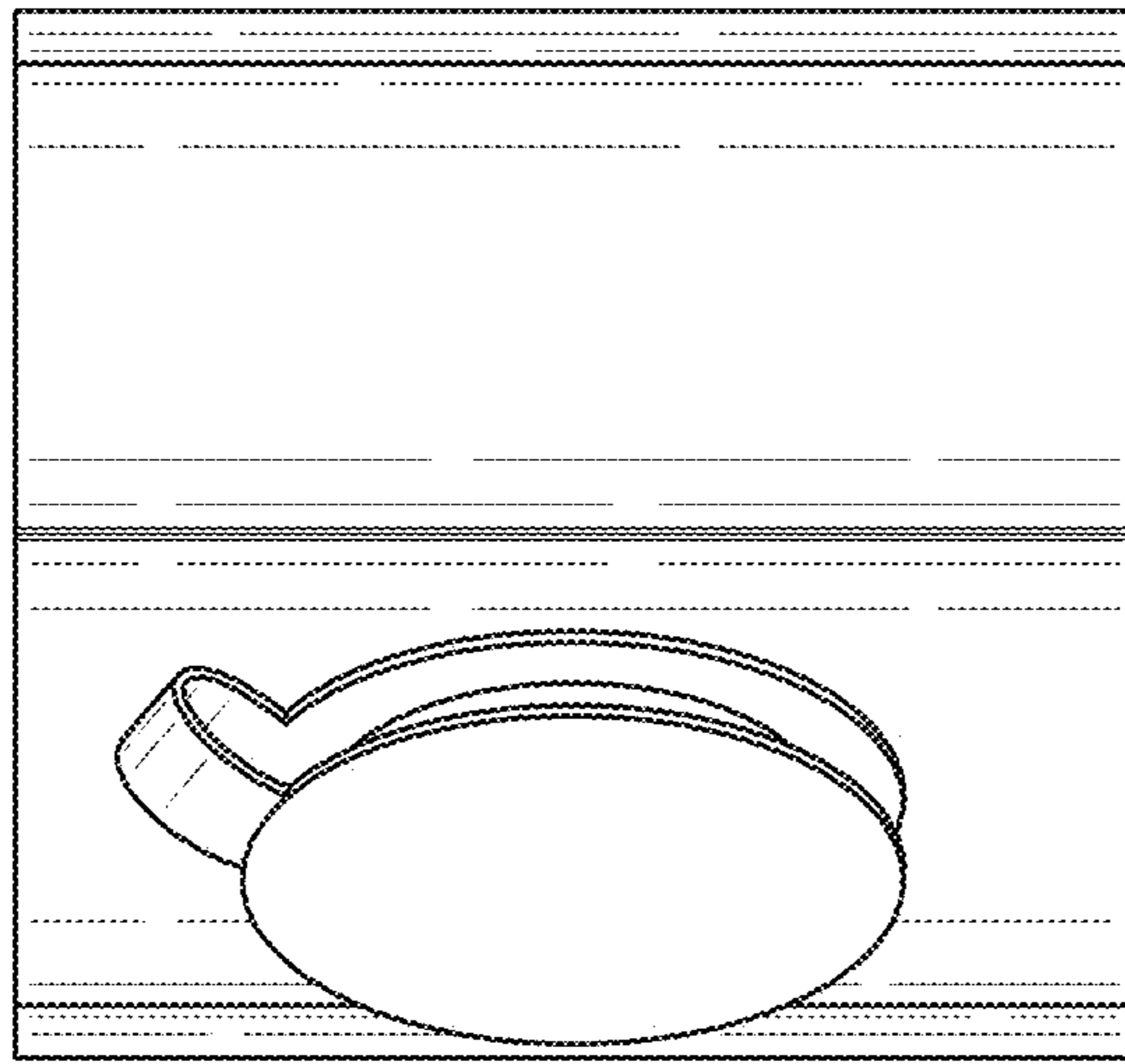


FIG. 33

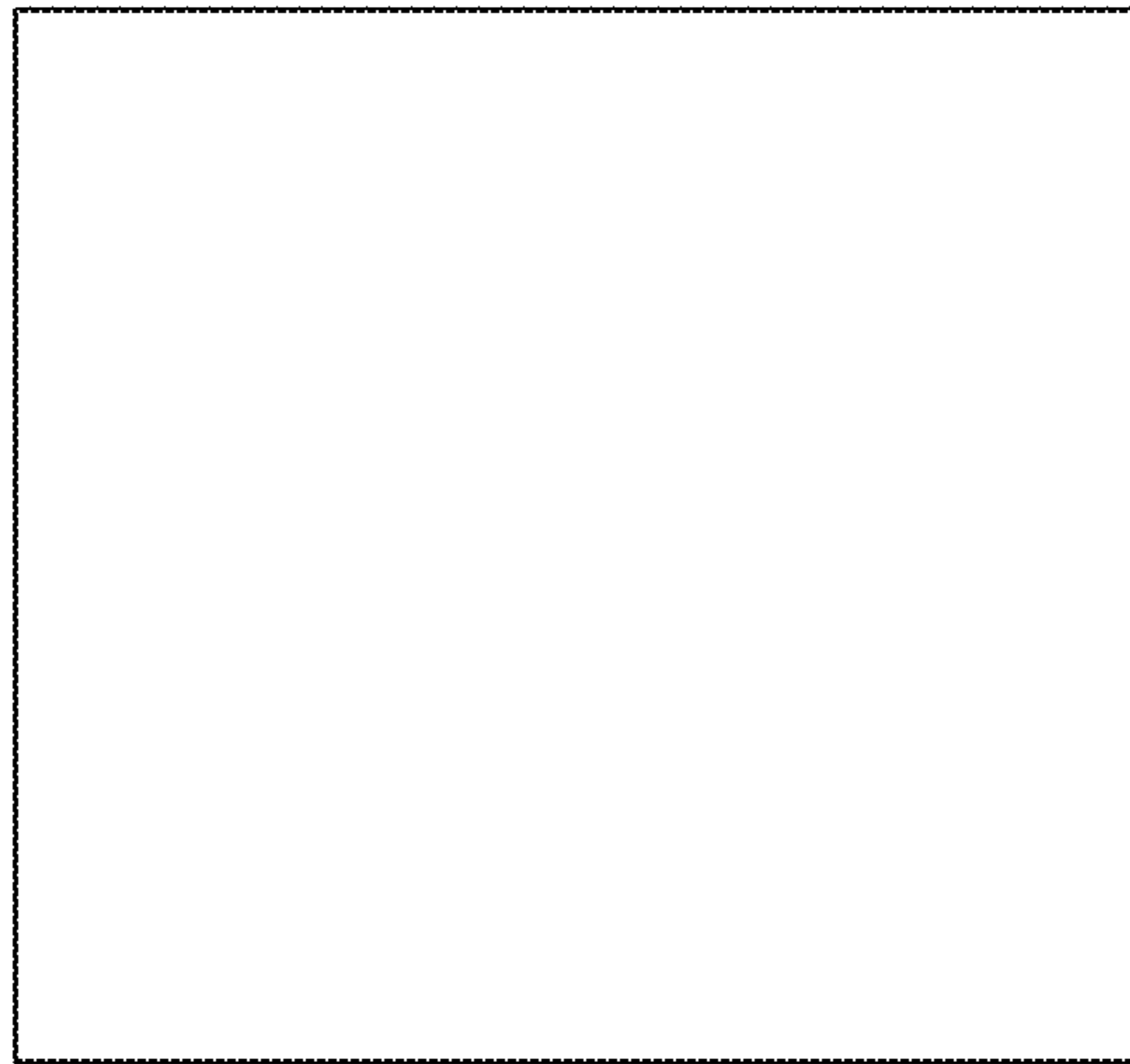


FIG. 34

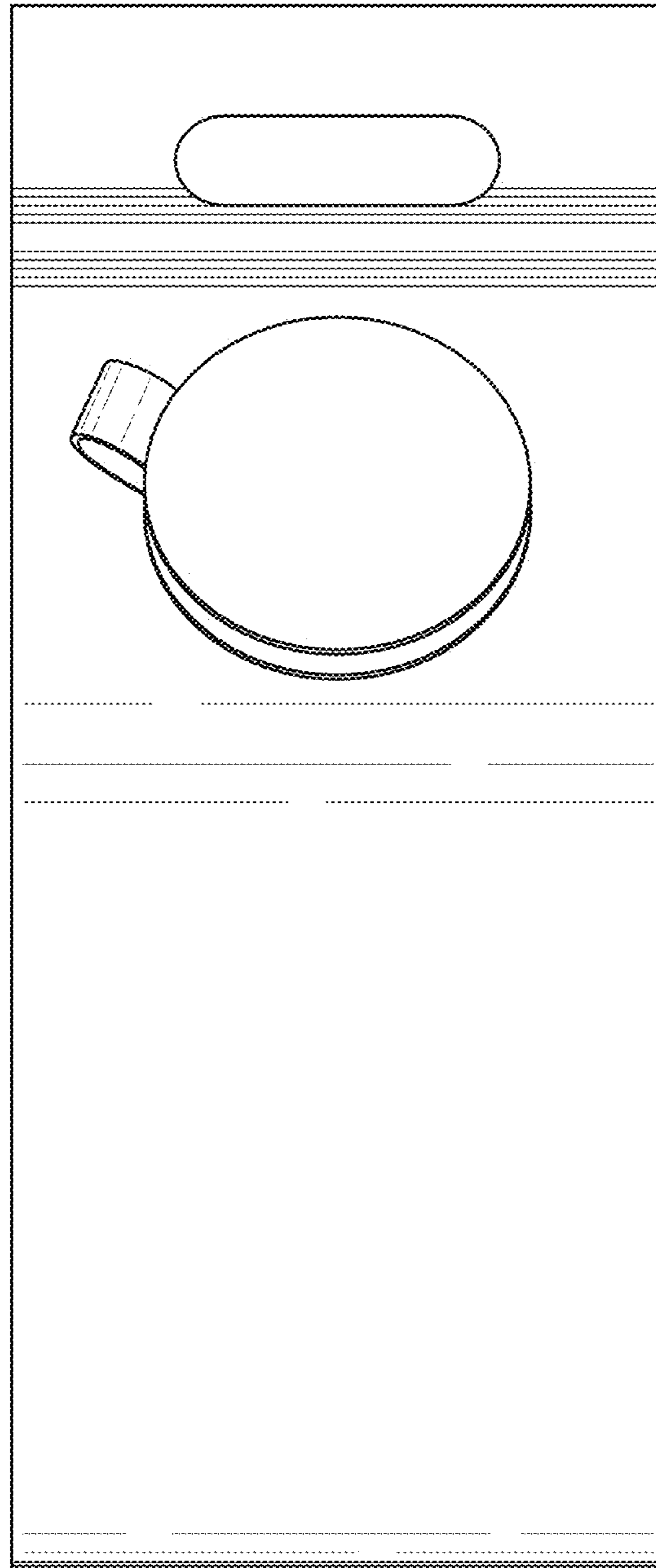


FIG. 35

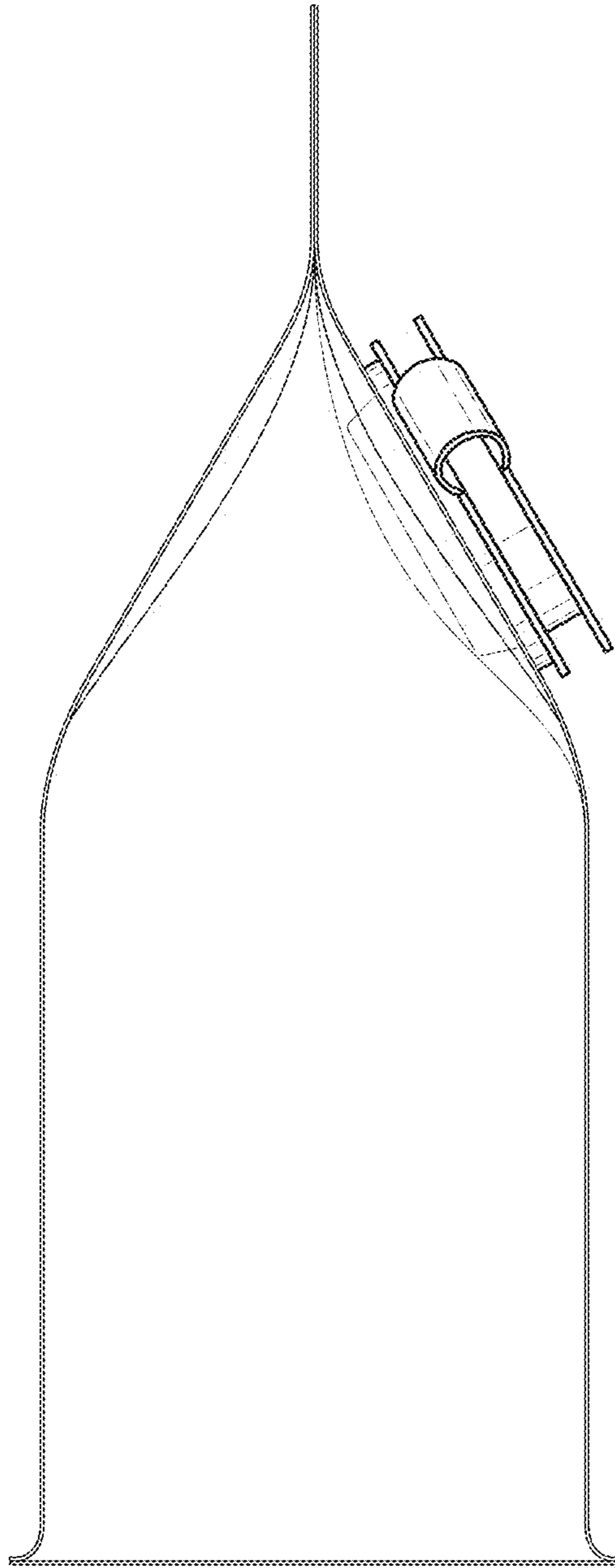


FIG. 36

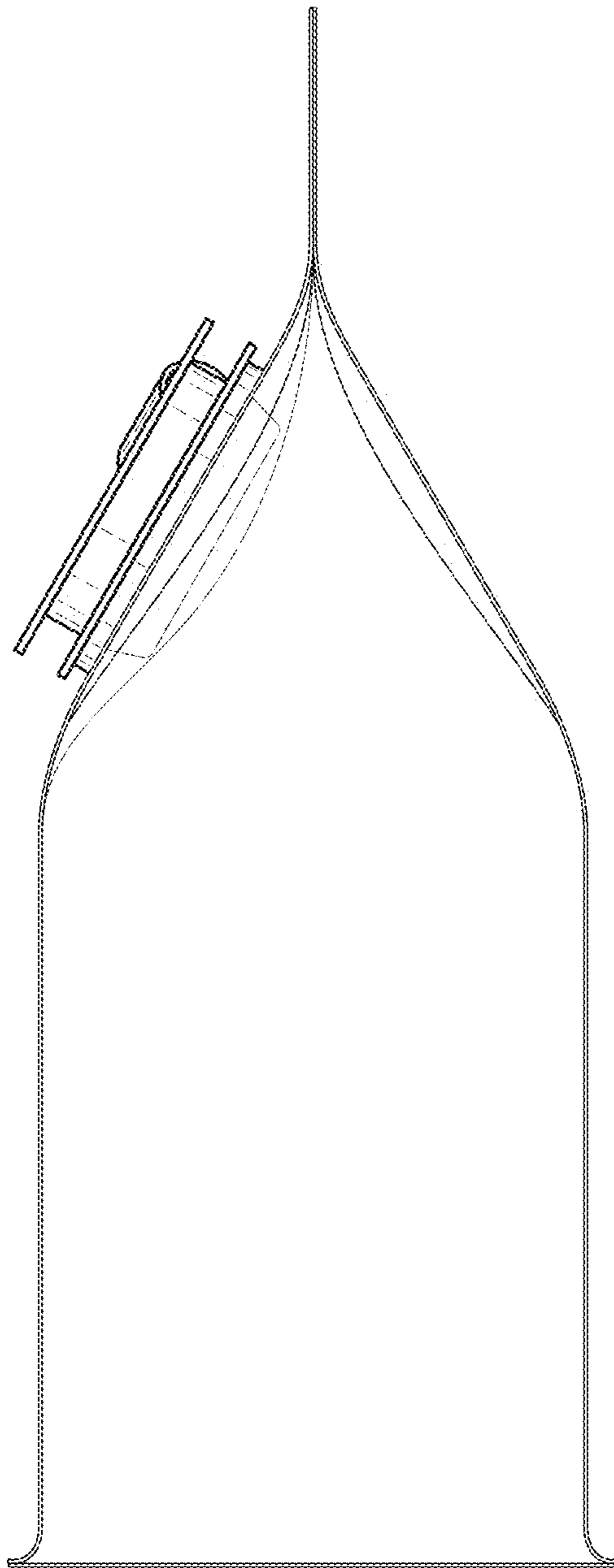


FIG. 37

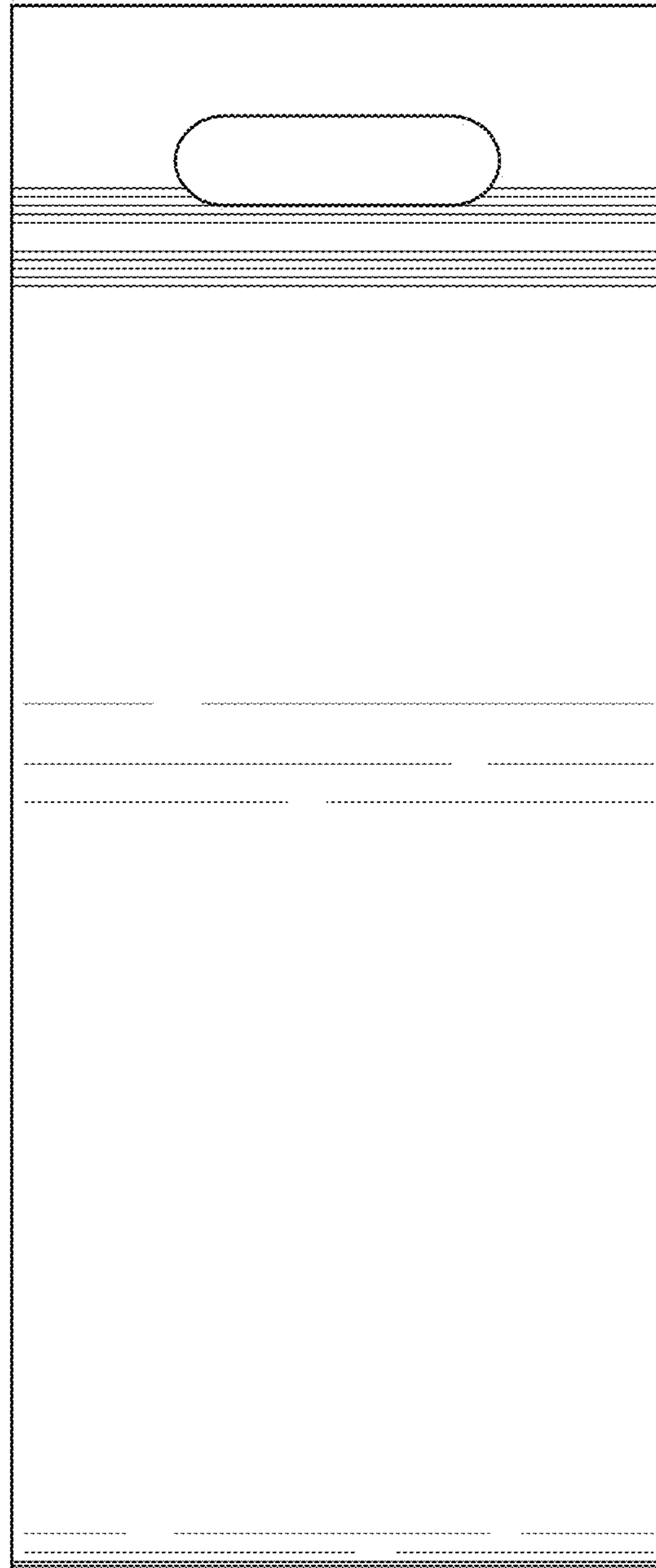


FIG. 38

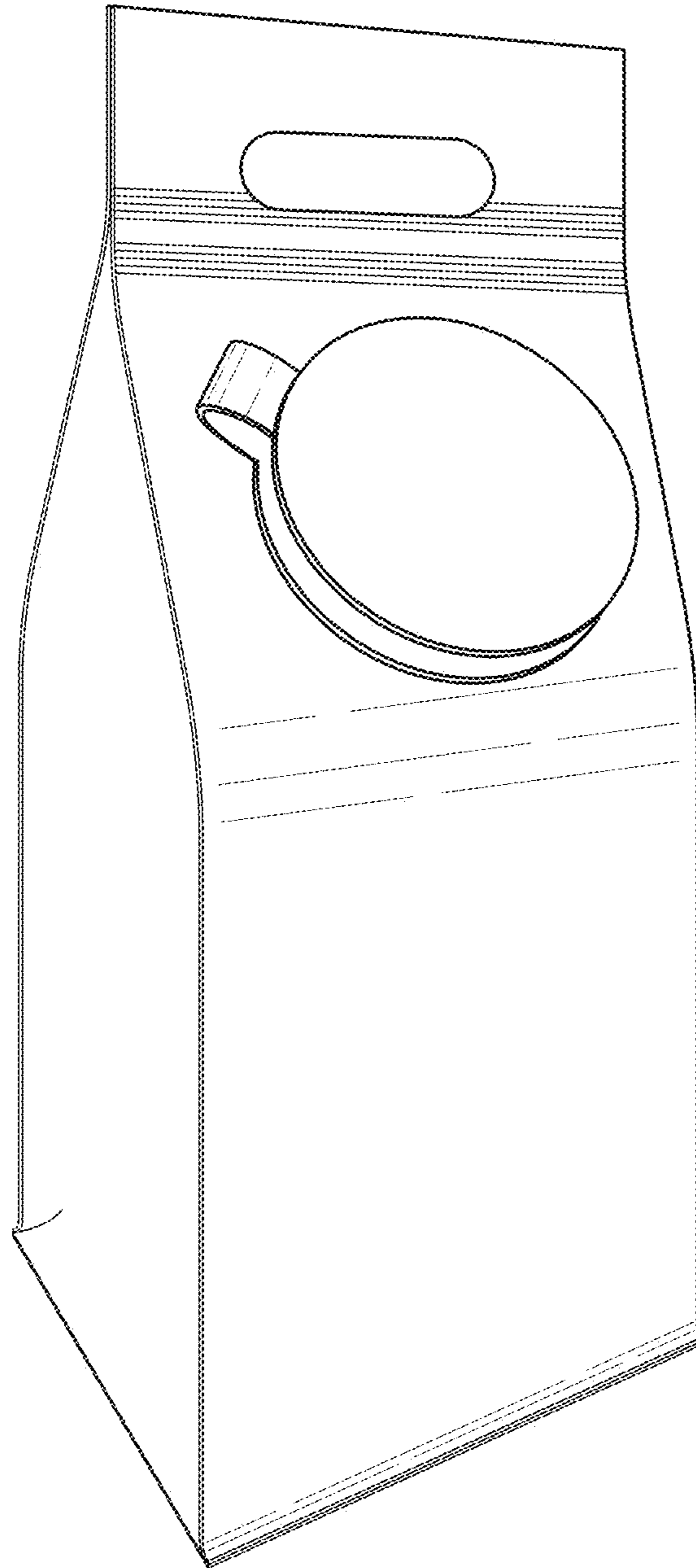


FIG. 39

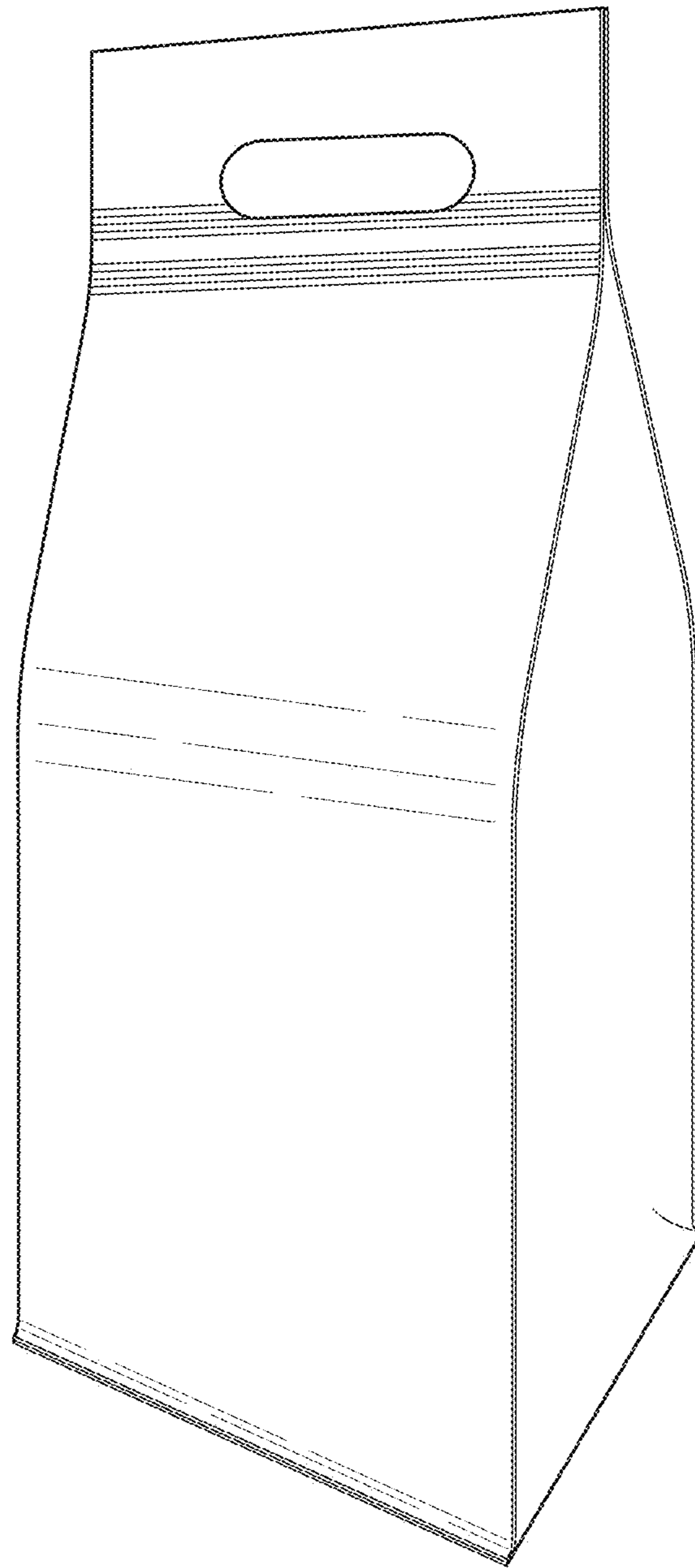


FIG. 40

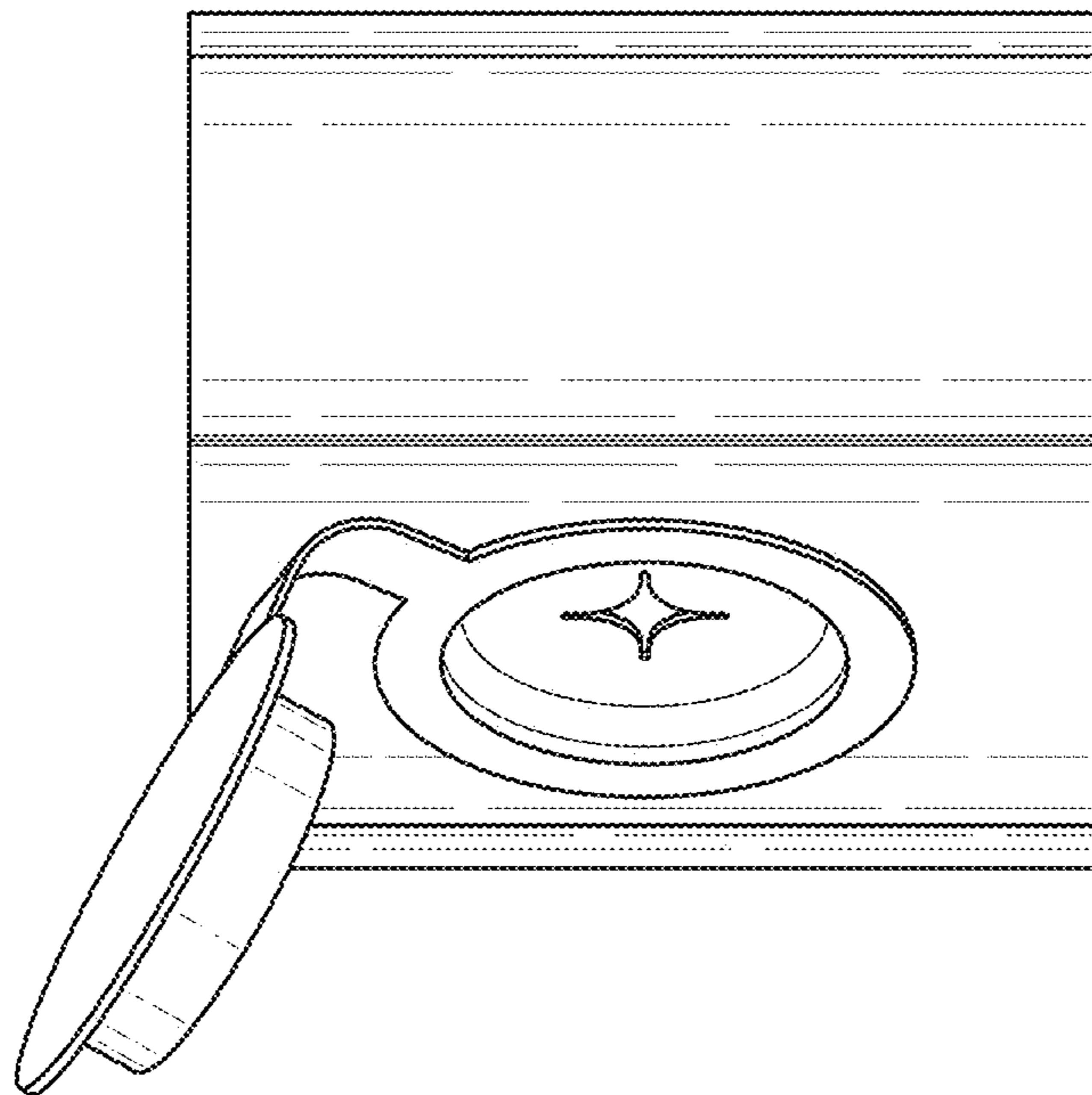


FIG. 41

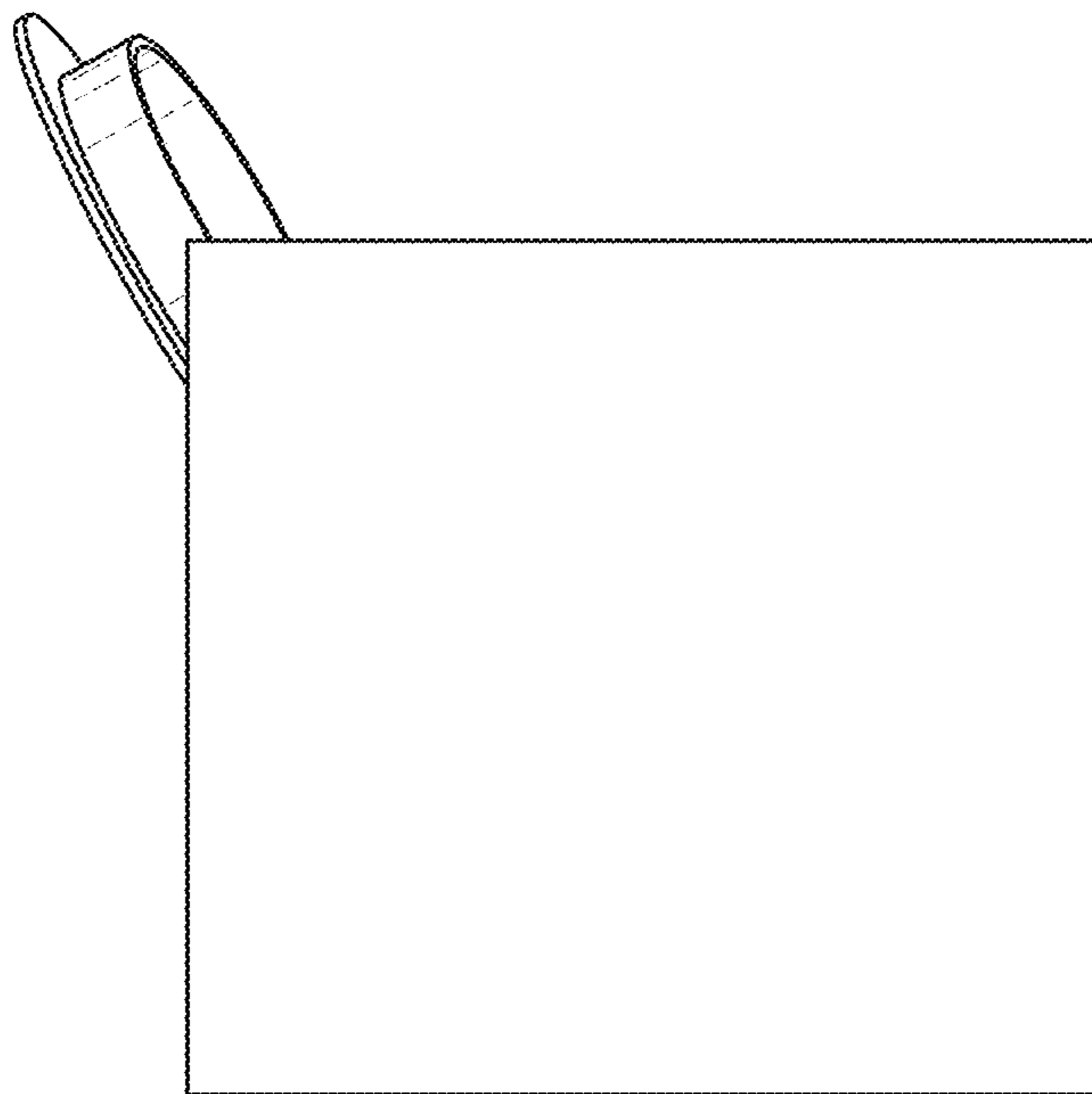


FIG. 42

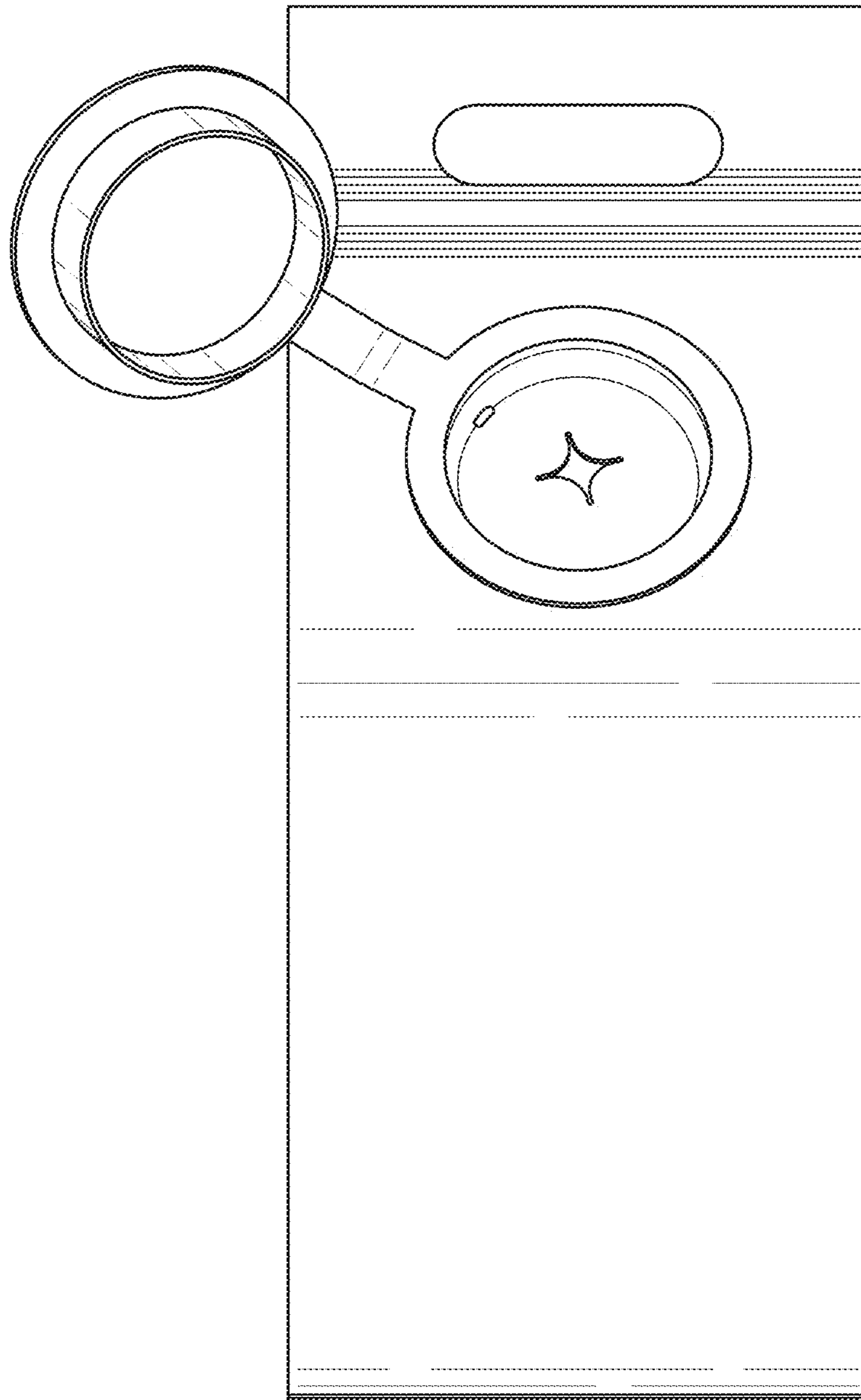


FIG. 43

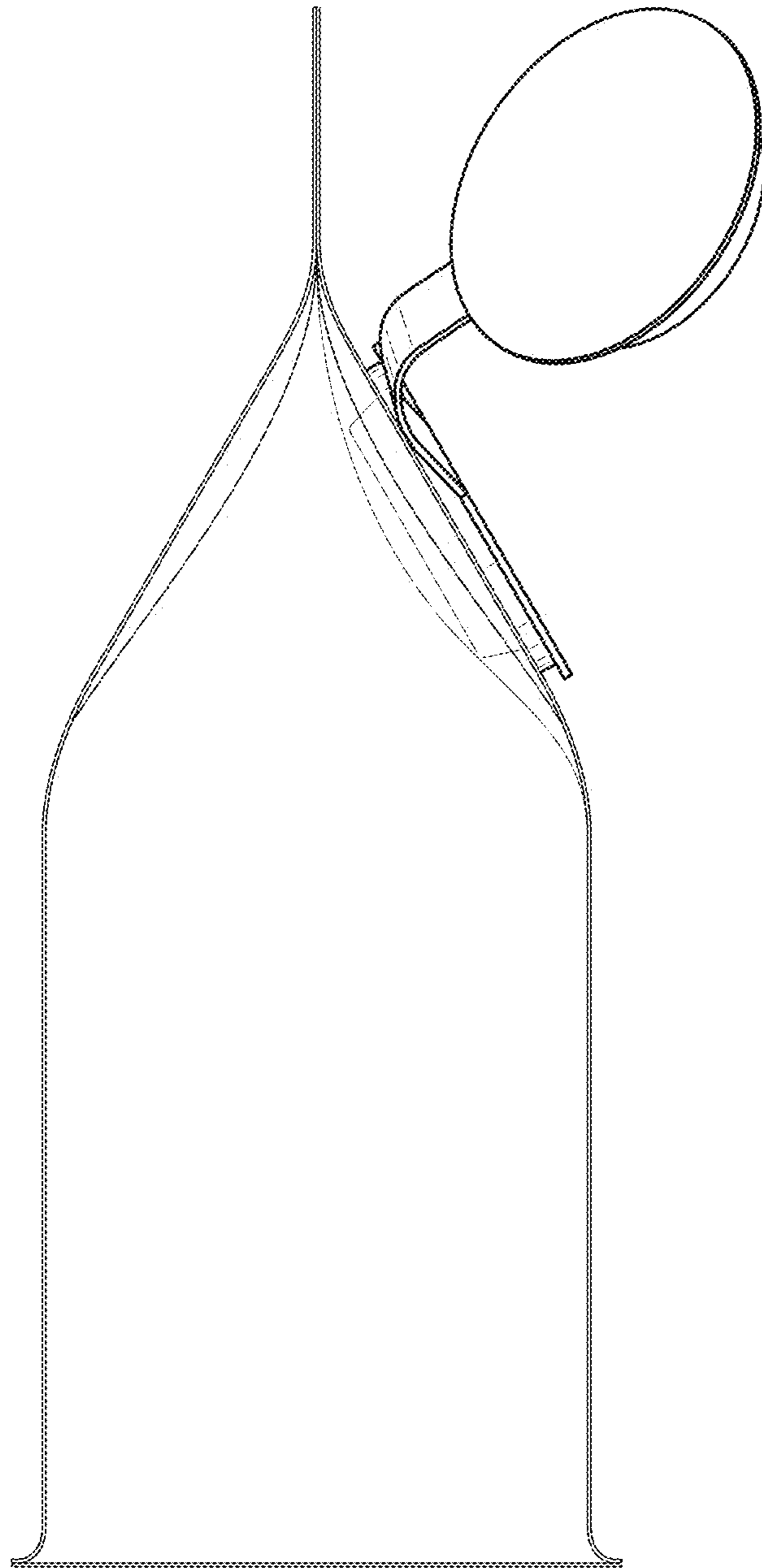


FIG. 44

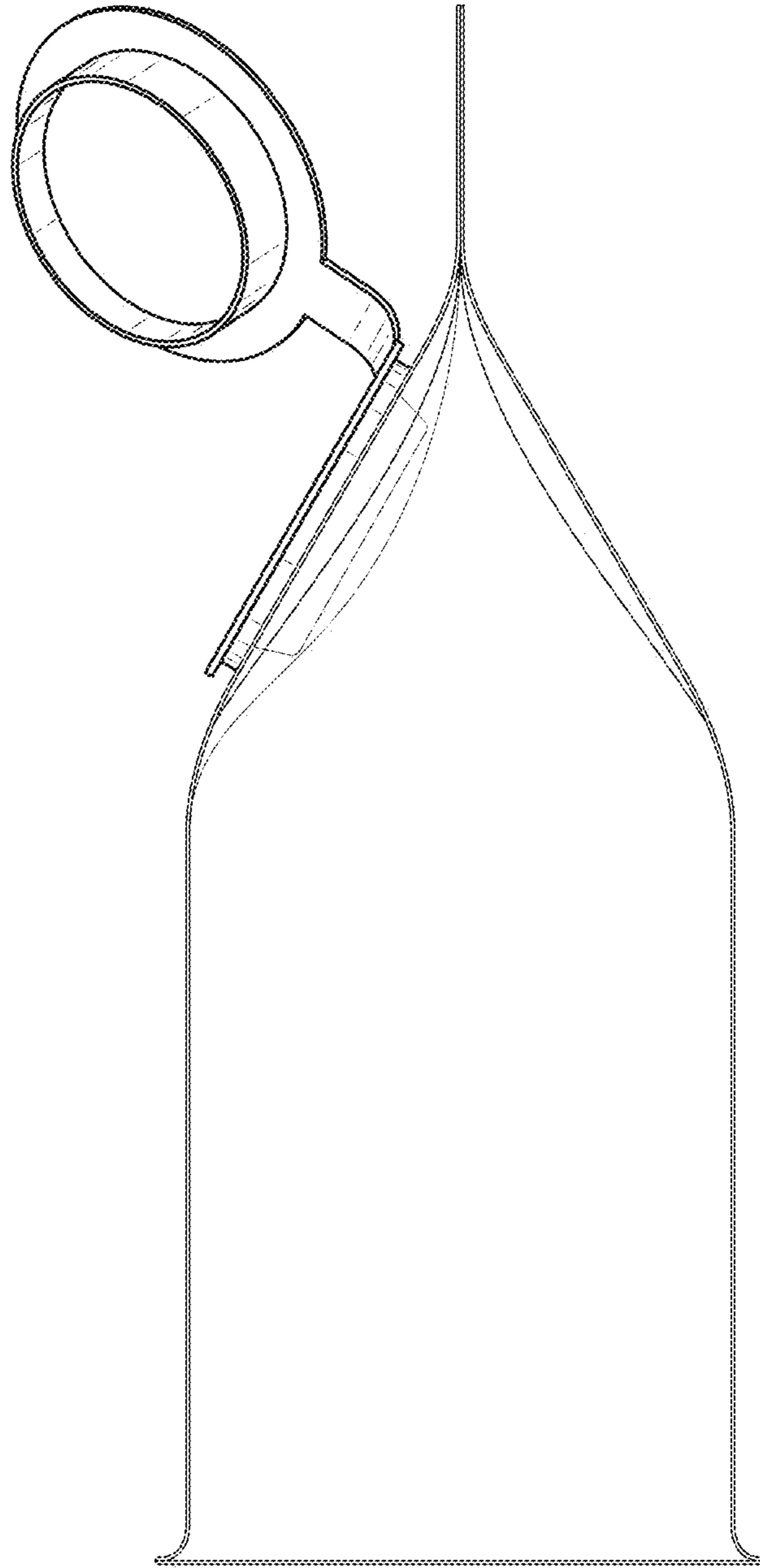


FIG. 45

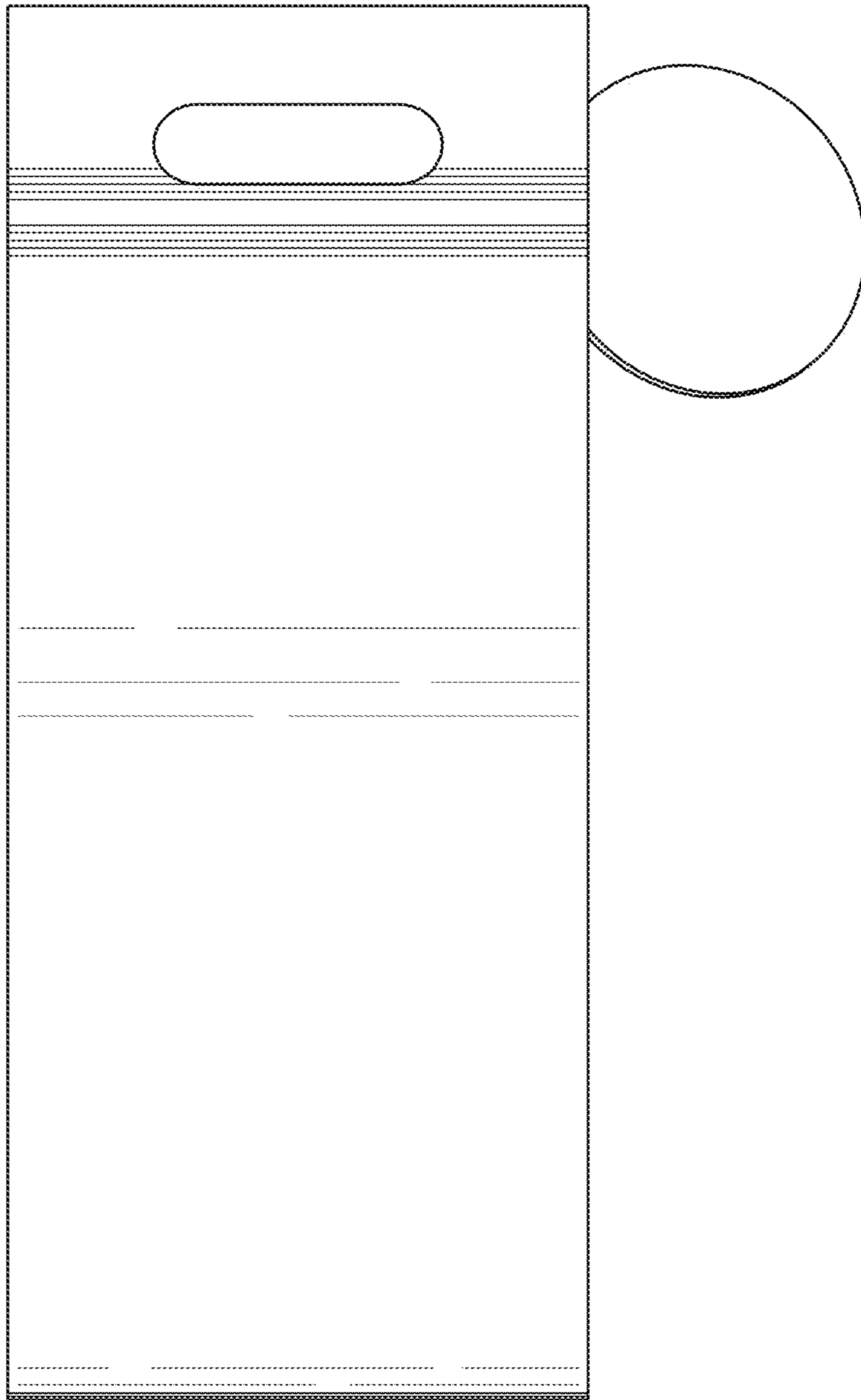


FIG. 46

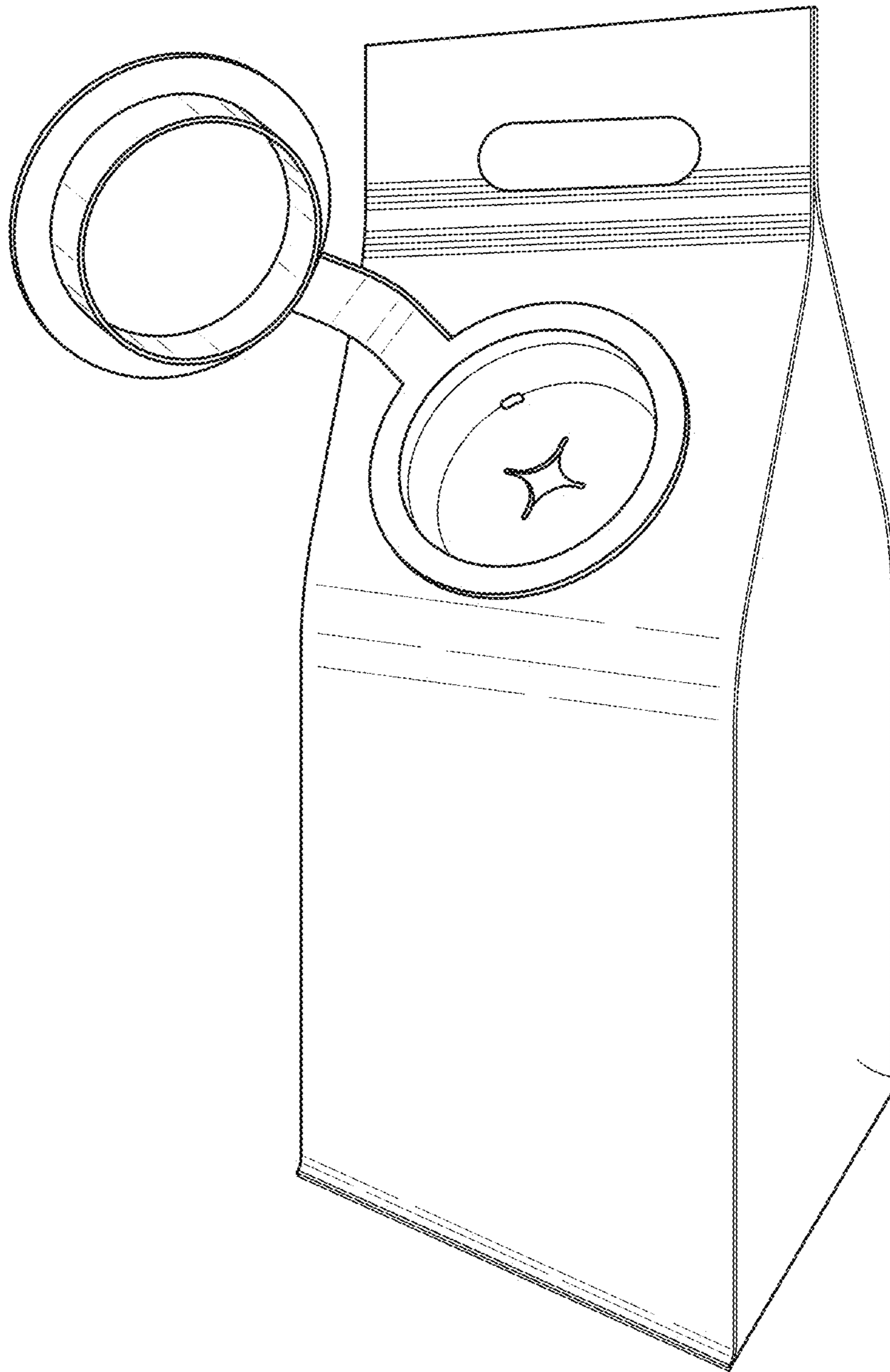


FIG. 47

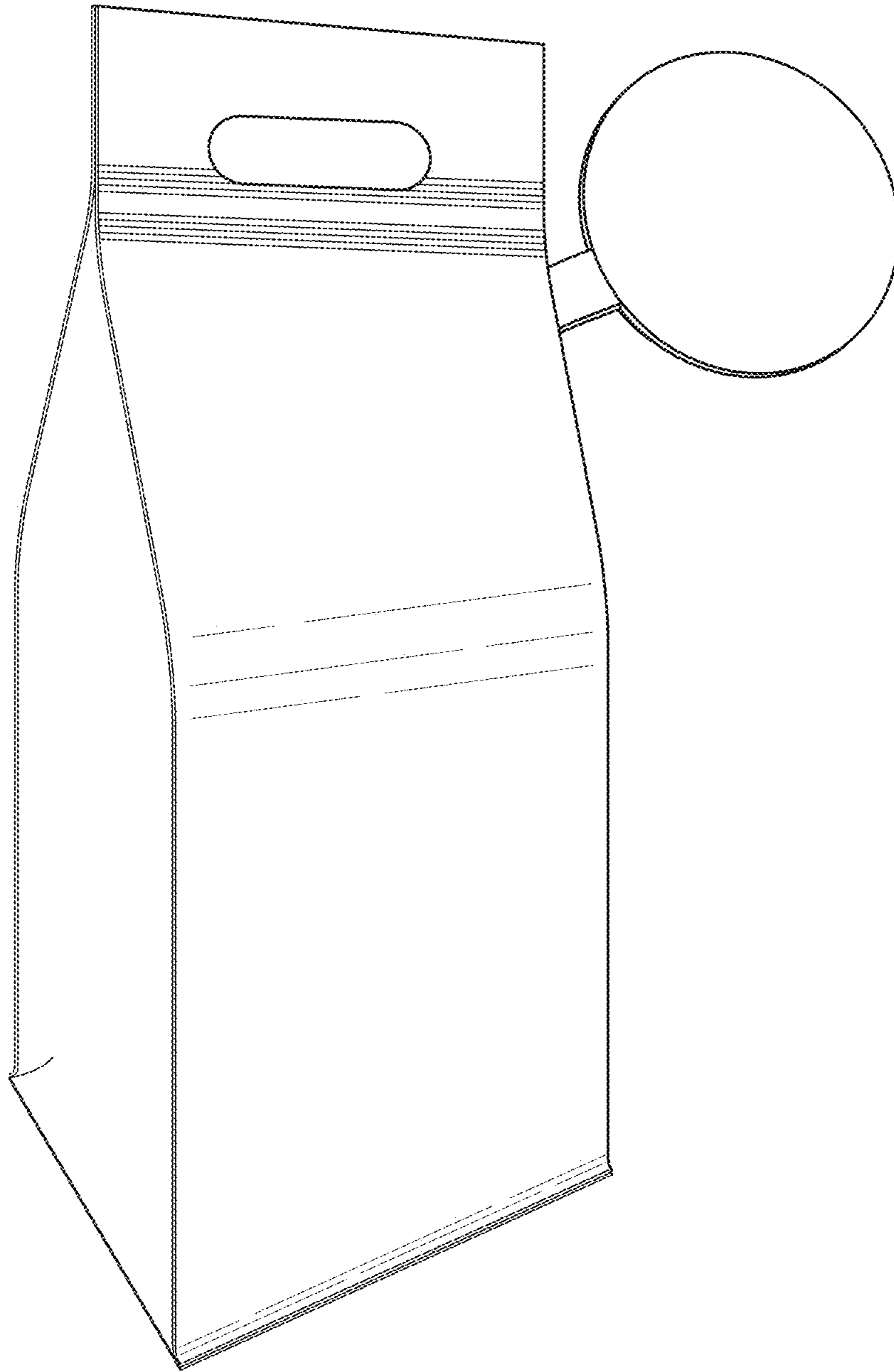


FIG. 48

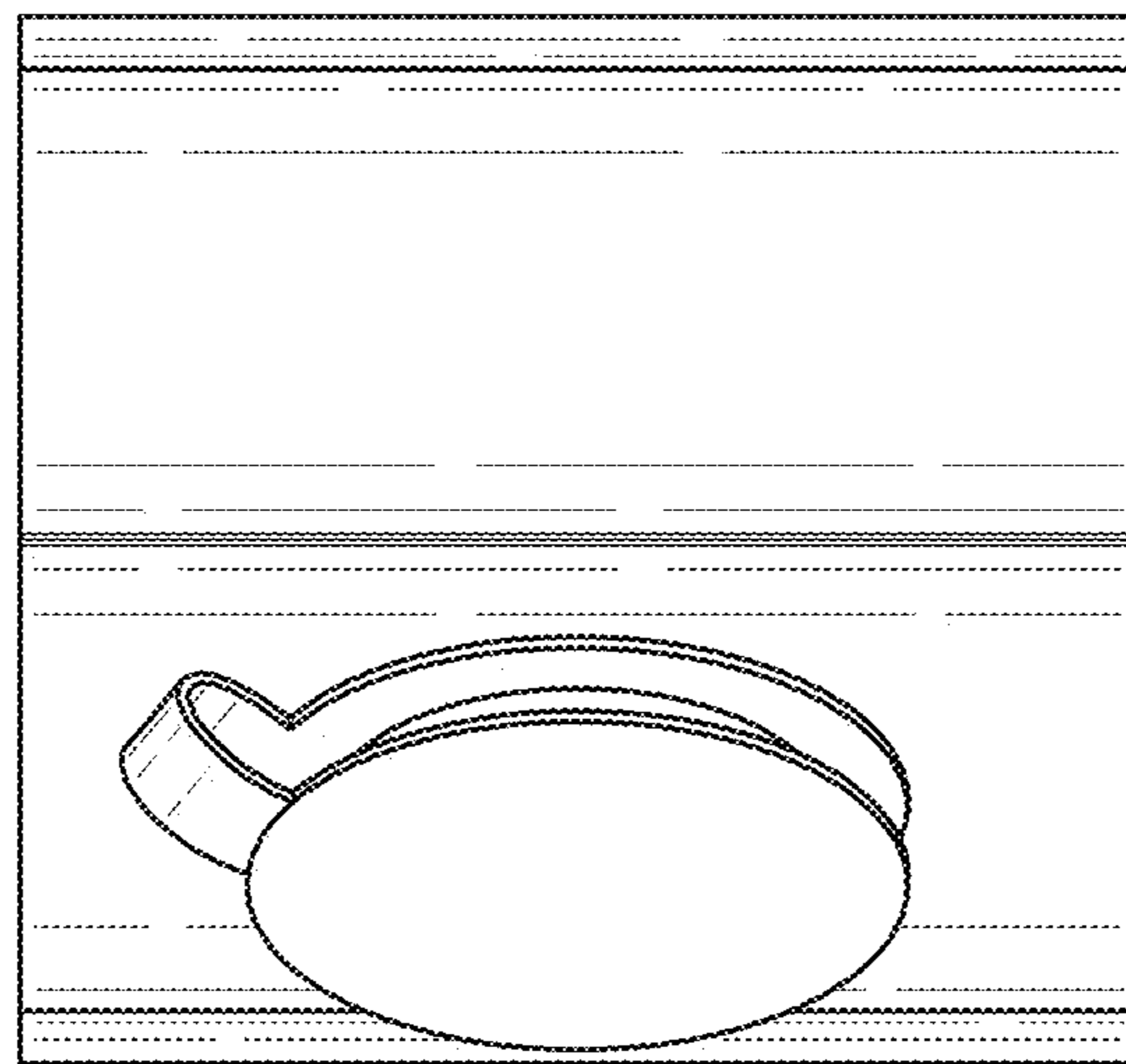


FIG. 49

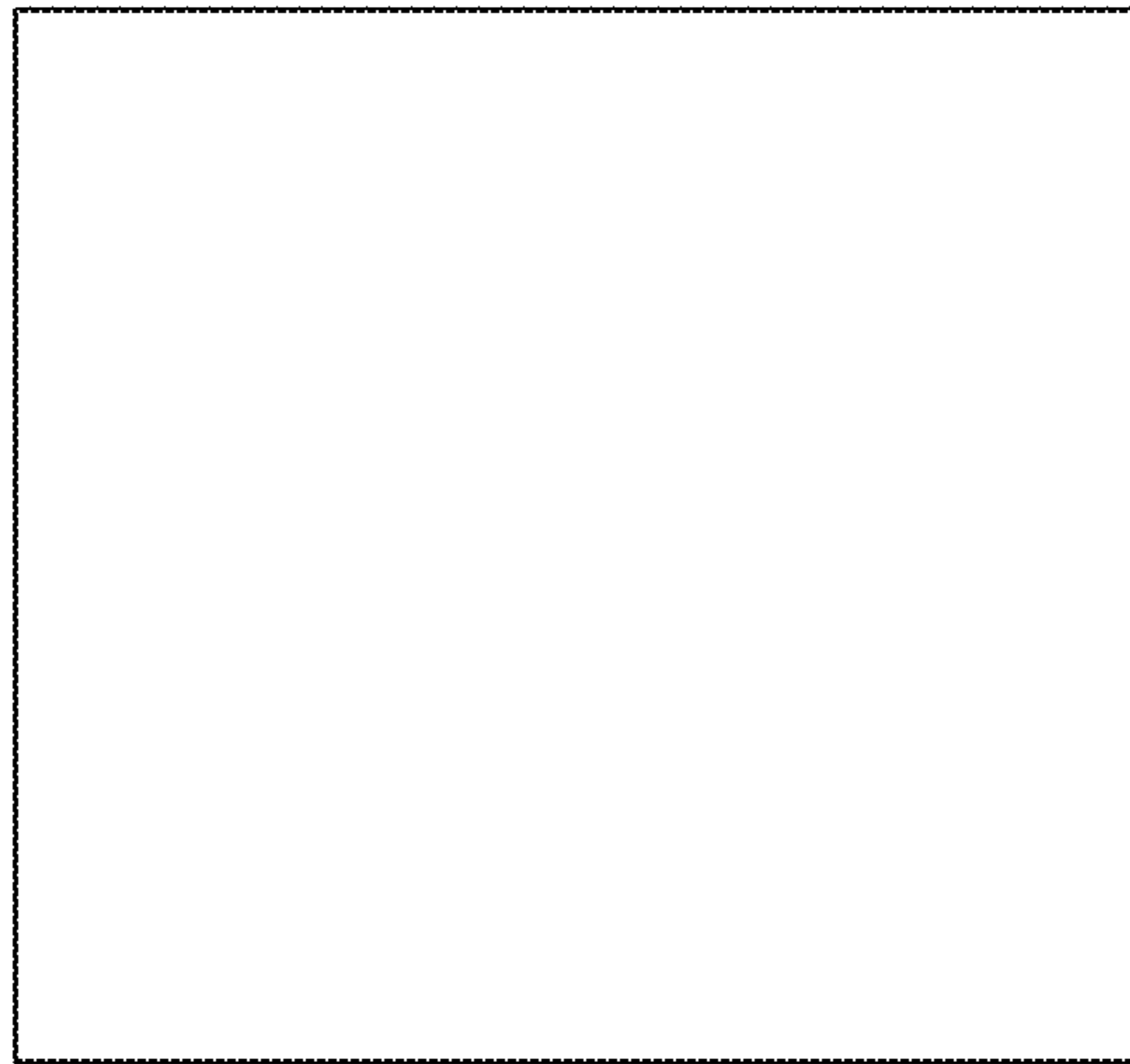


FIG. 50

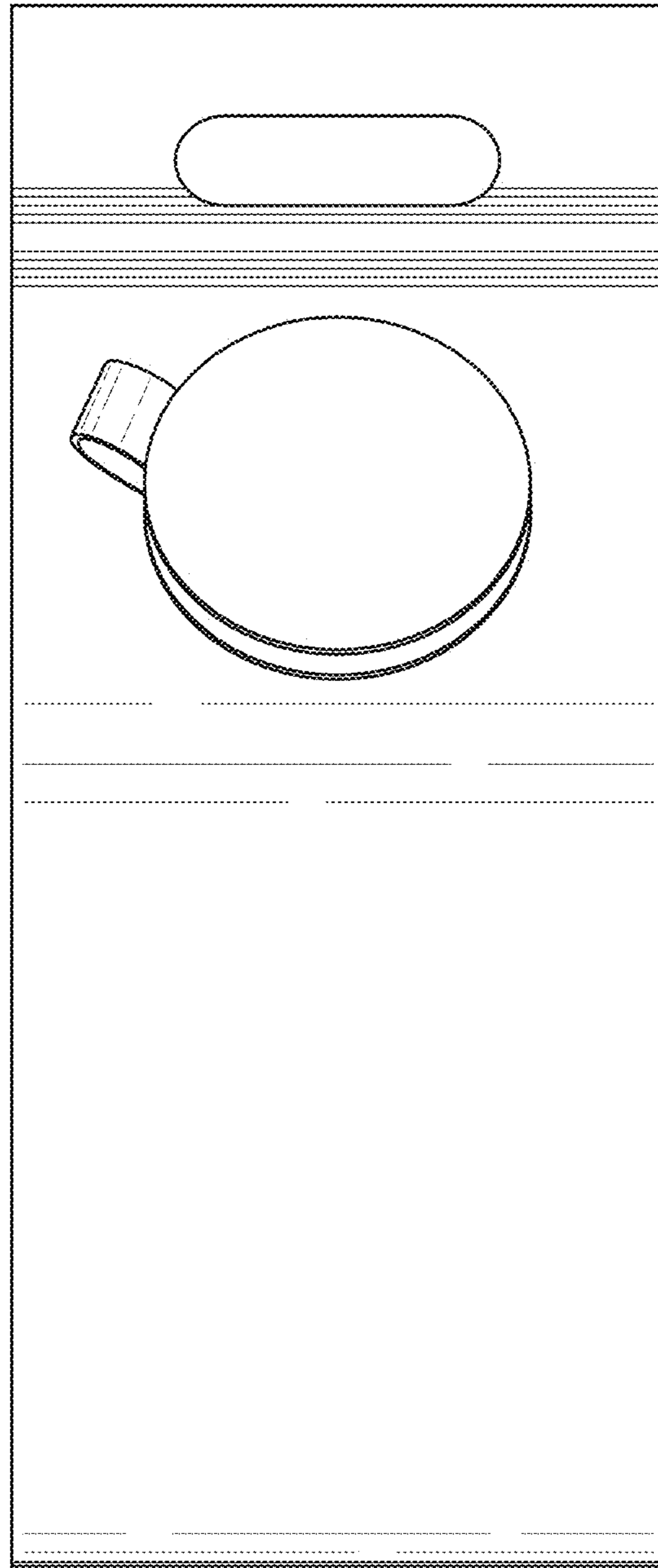


FIG. 51

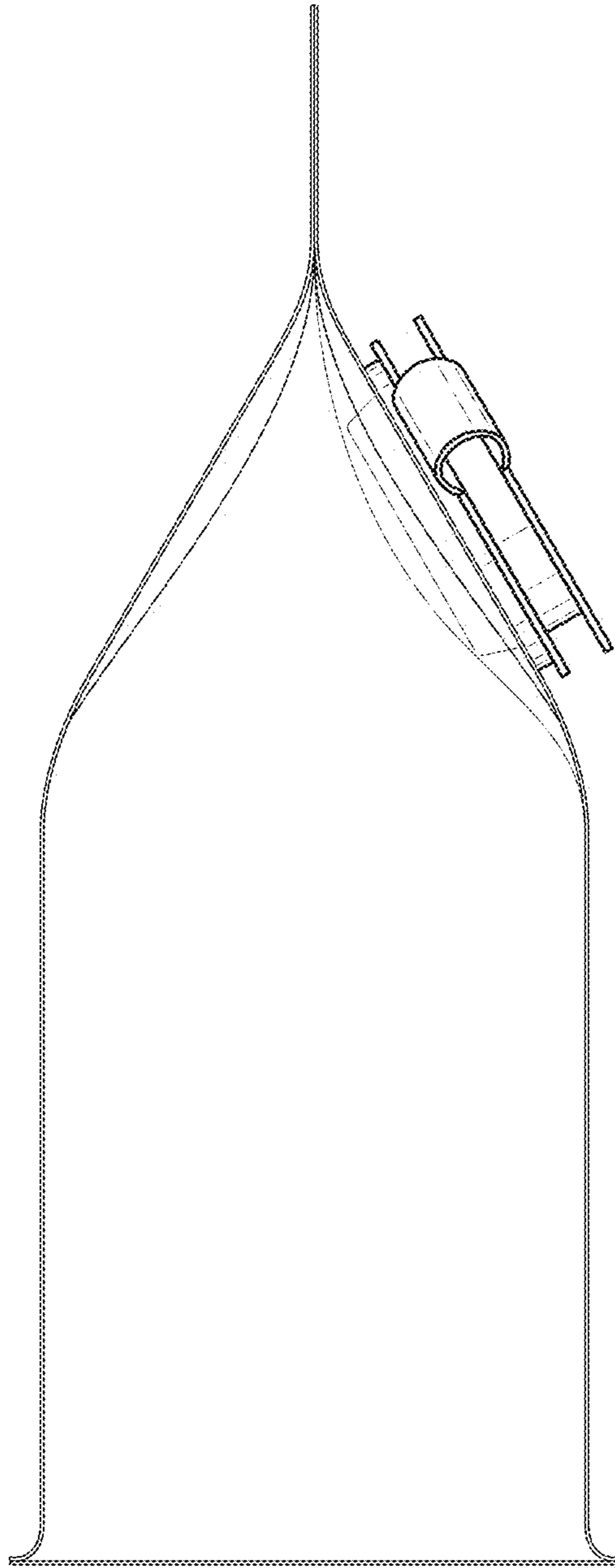


FIG. 52

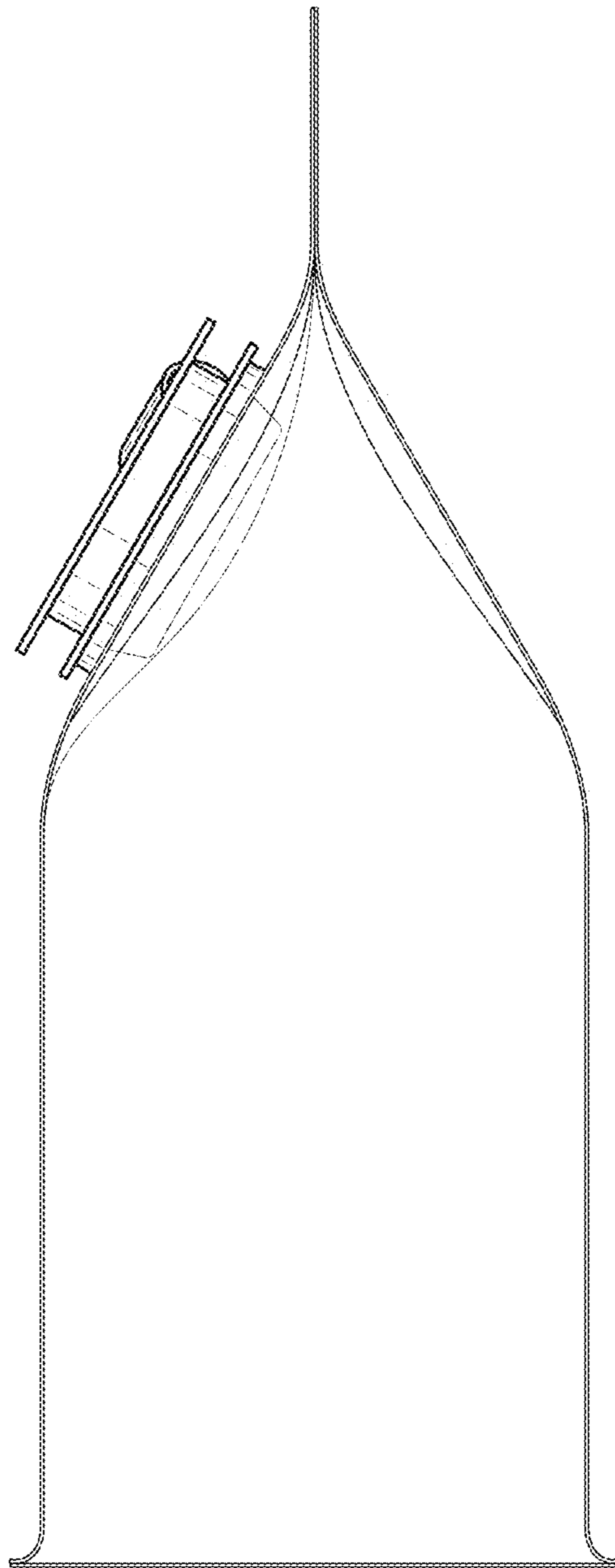


FIG. 53

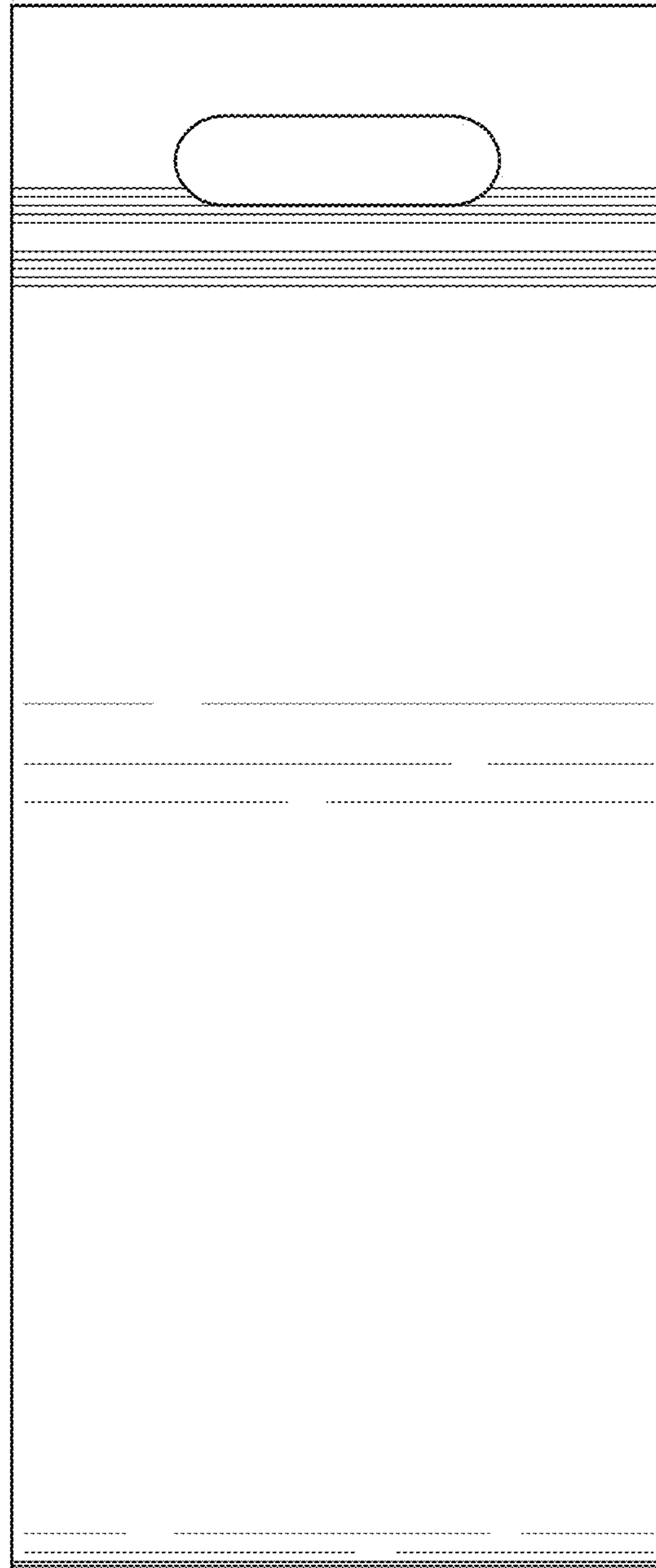


FIG. 54

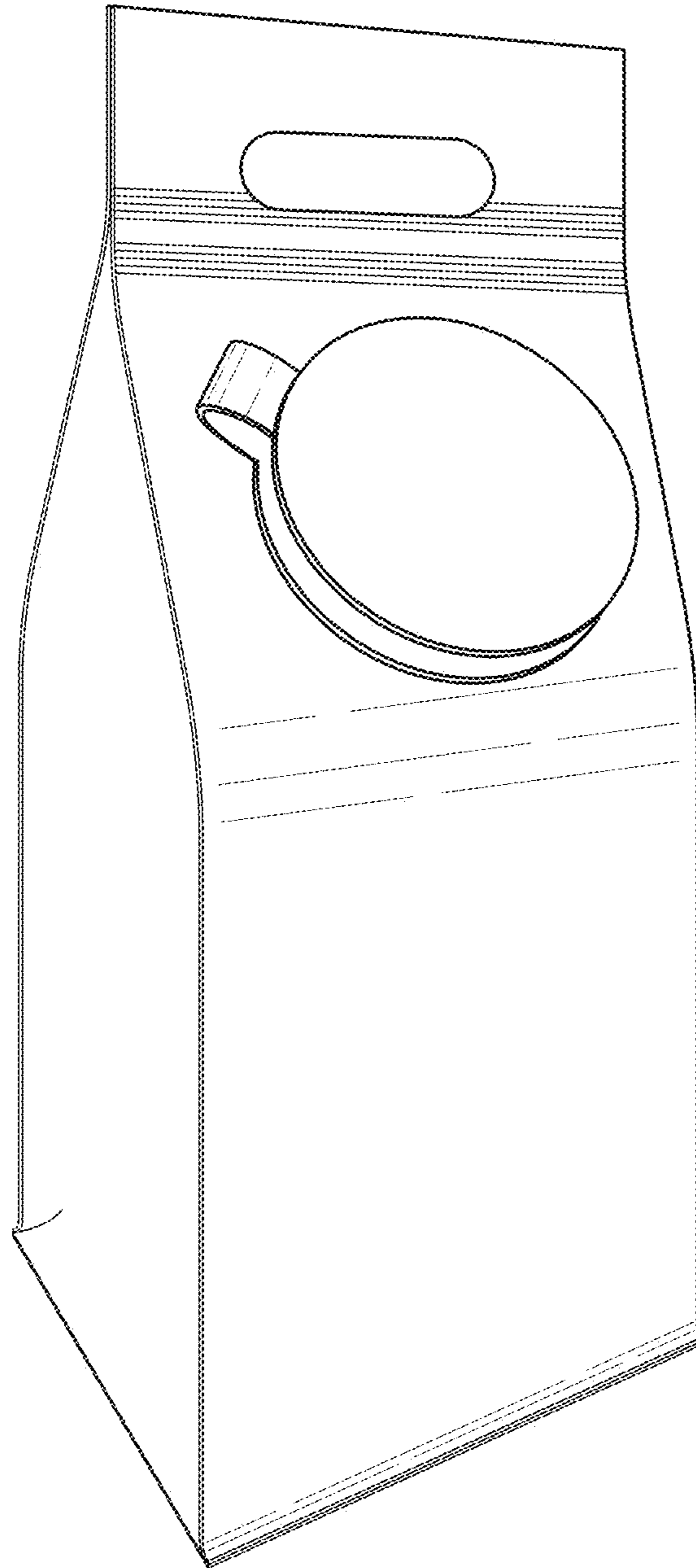


FIG. 55

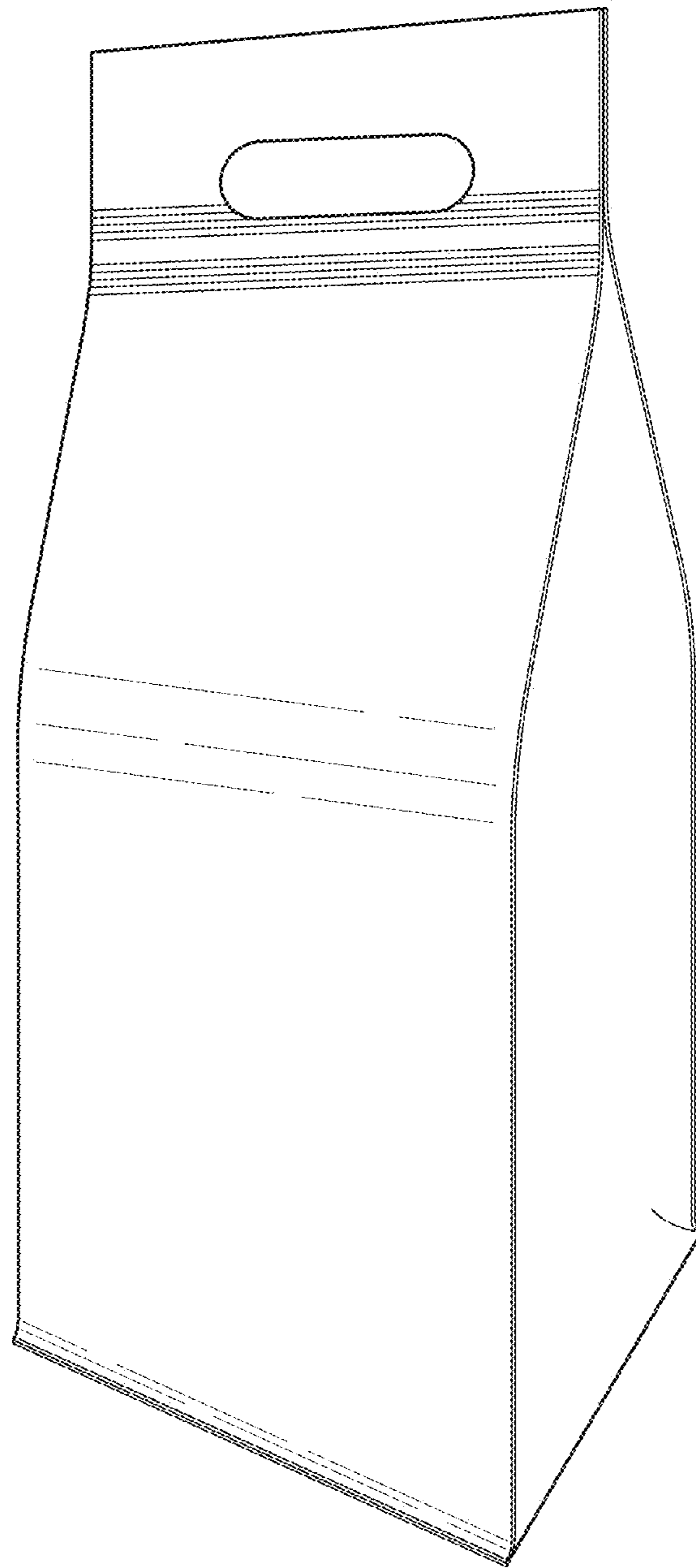


FIG. 56

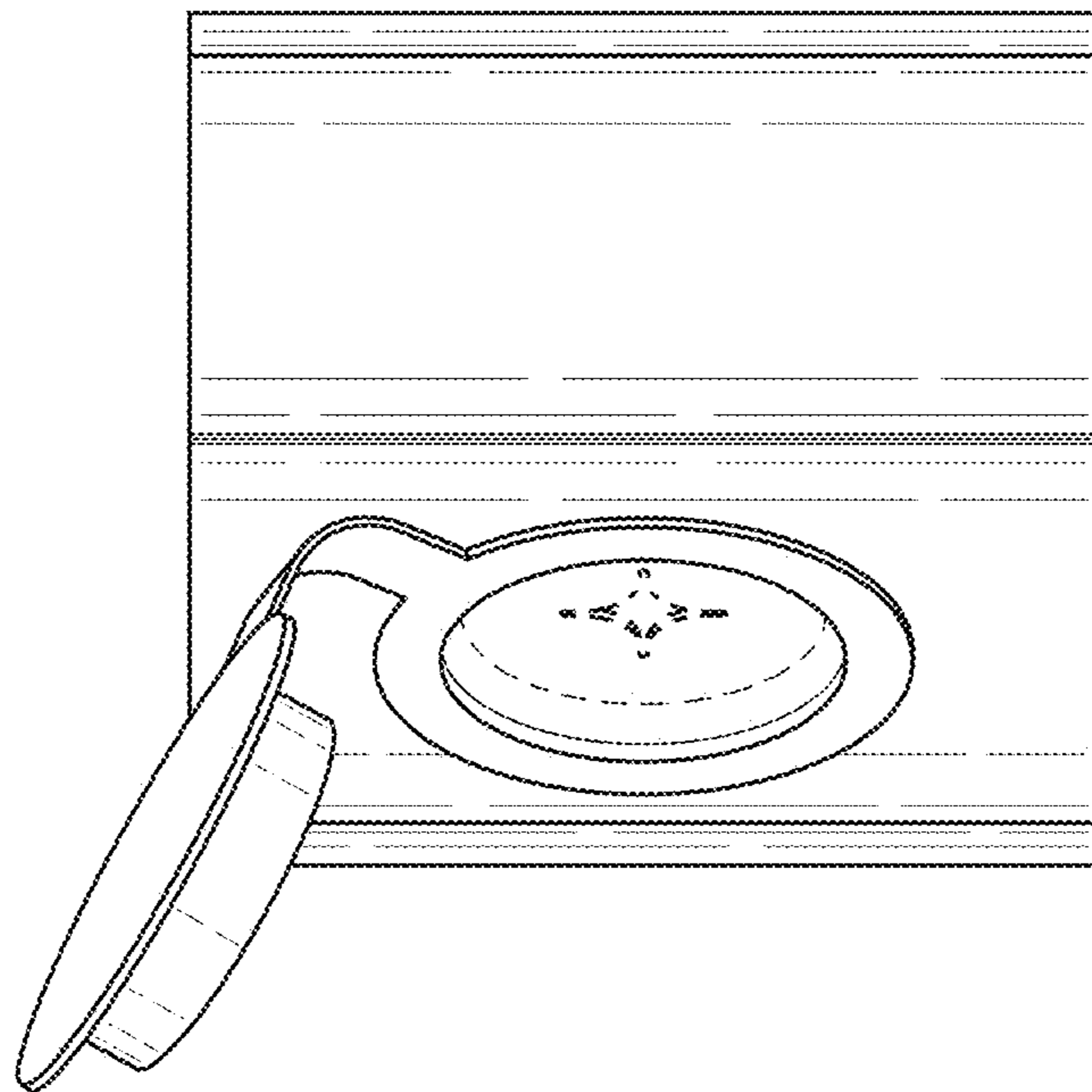


FIG. 57

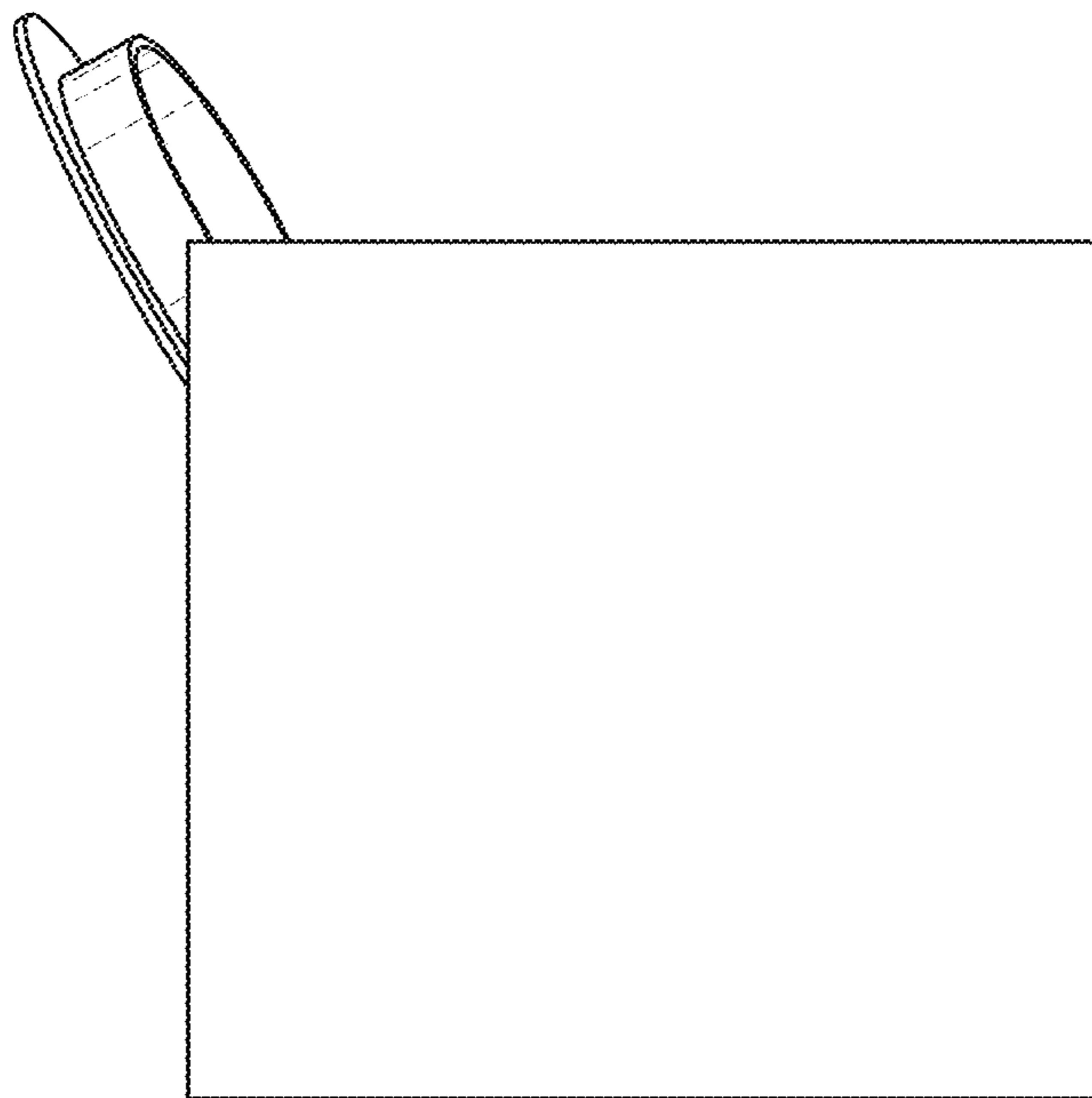


FIG. 58

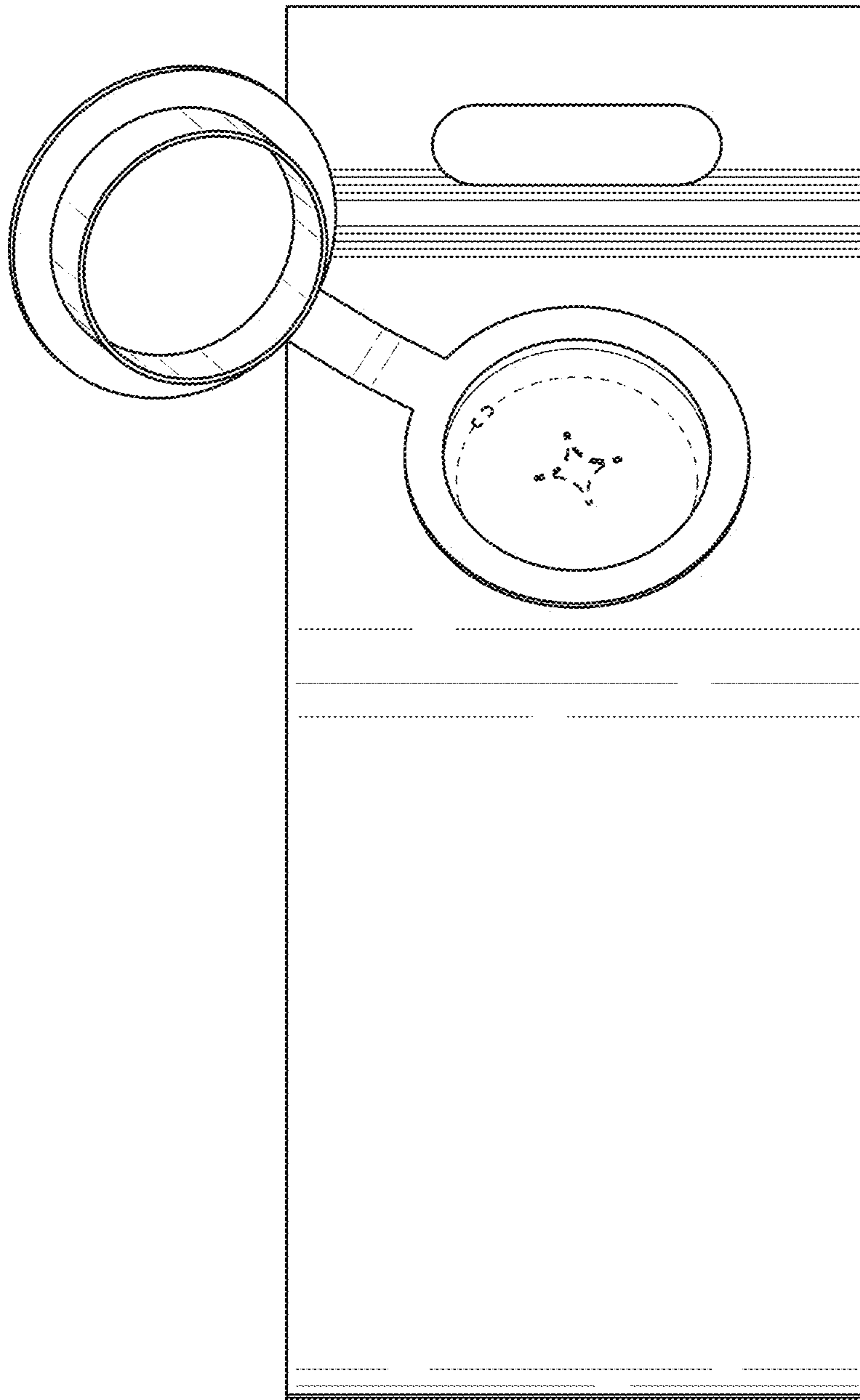


FIG. 59

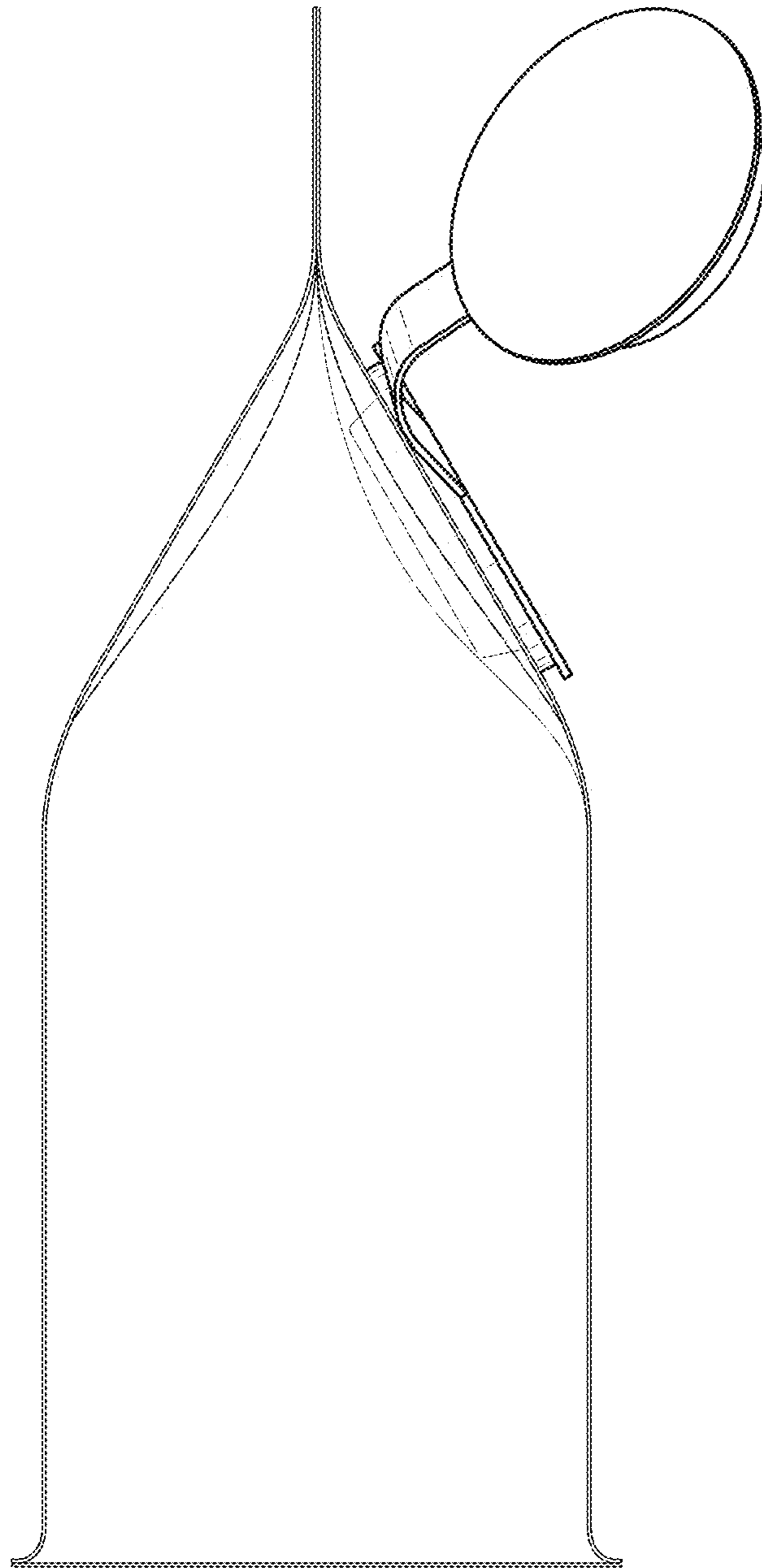


FIG. 60

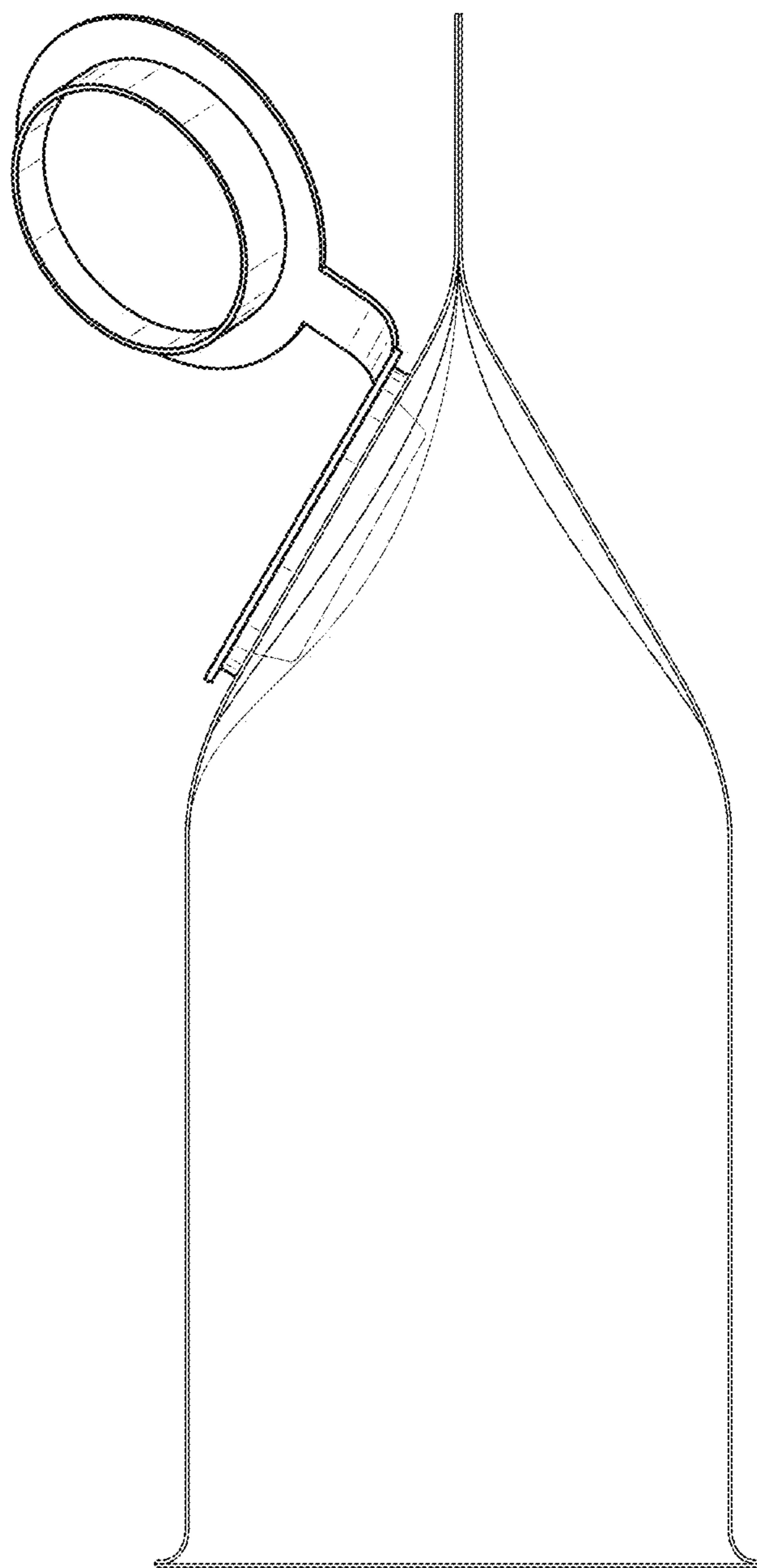


FIG. 61

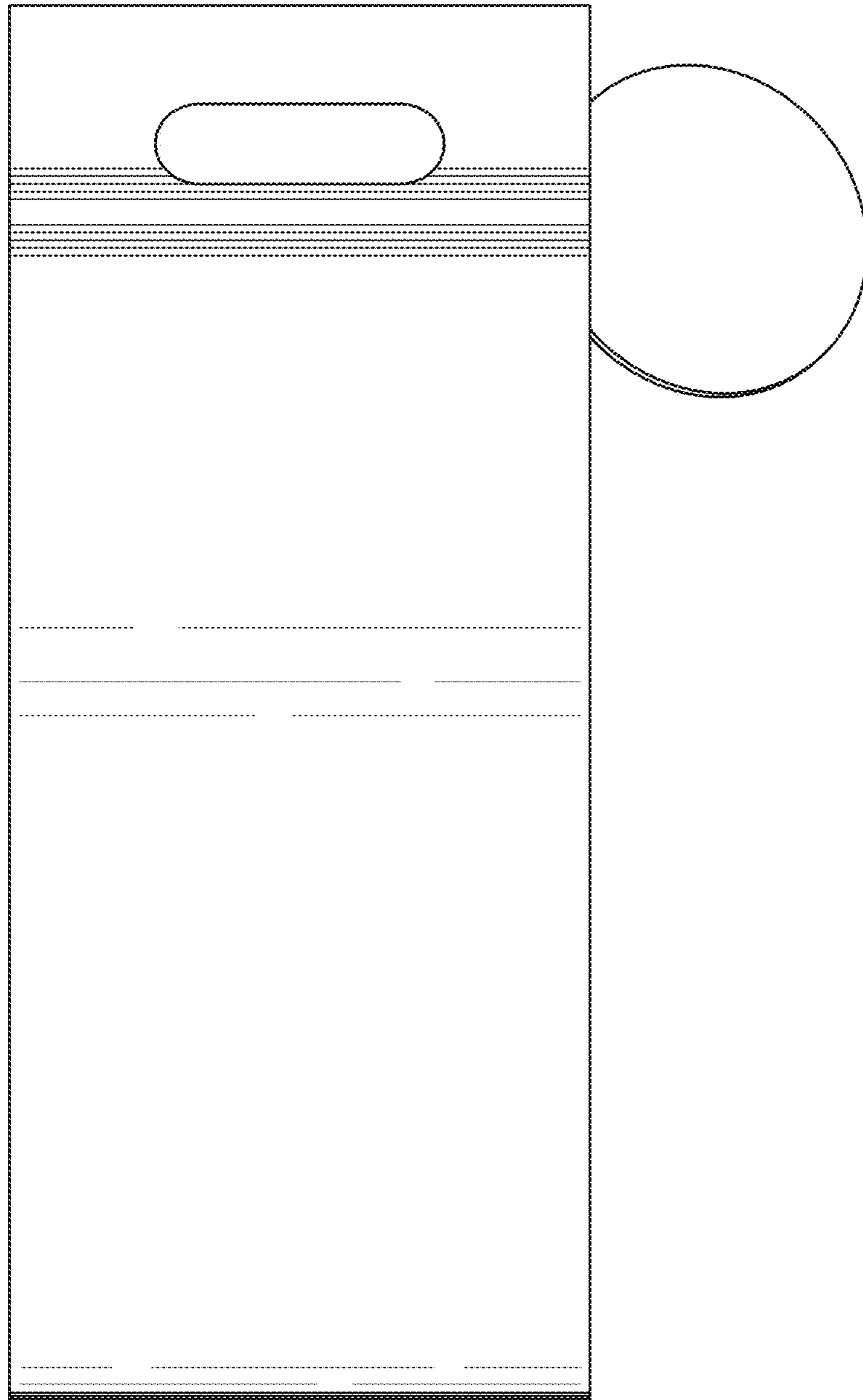


FIG. 62

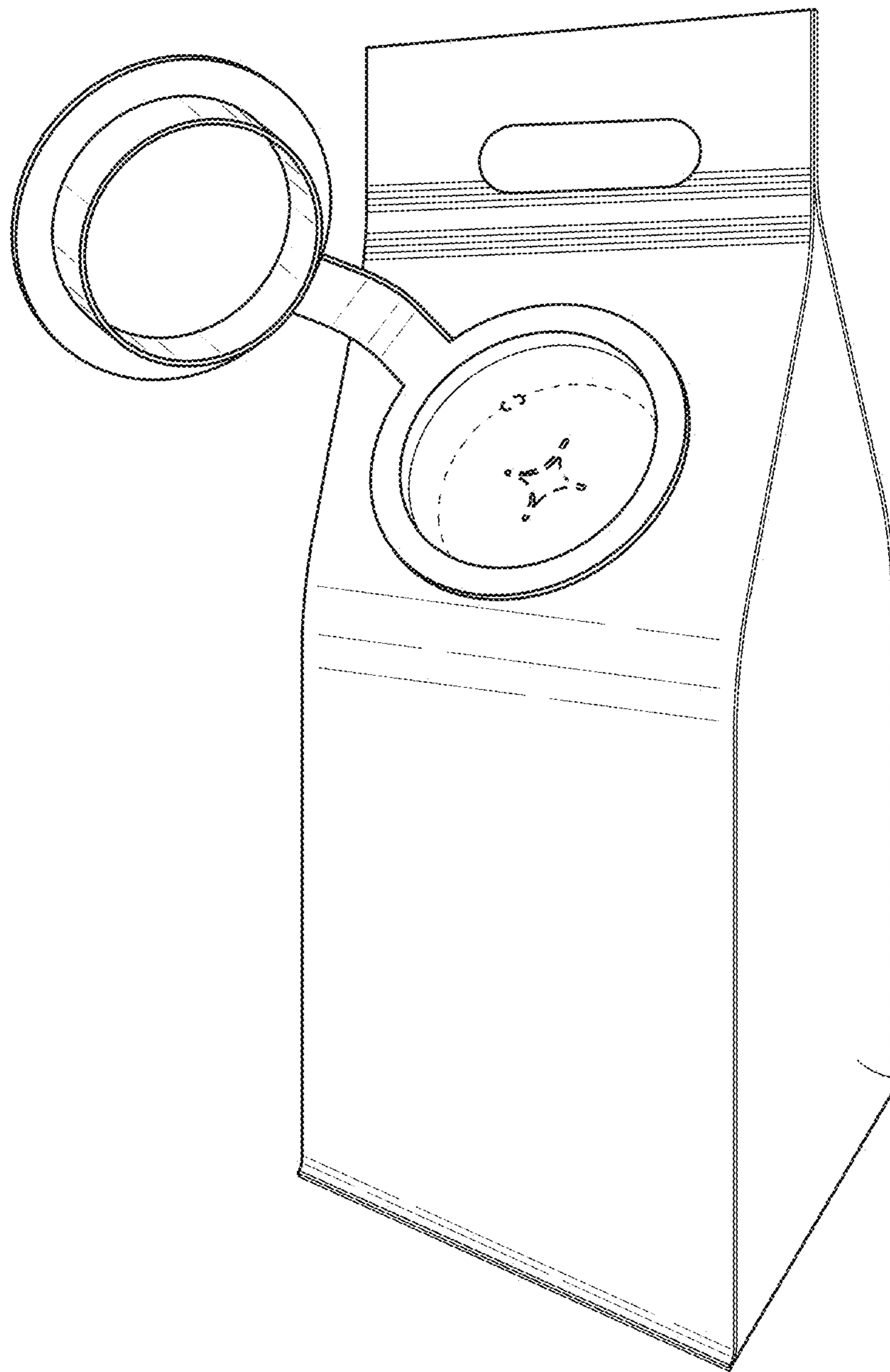


FIG. 63

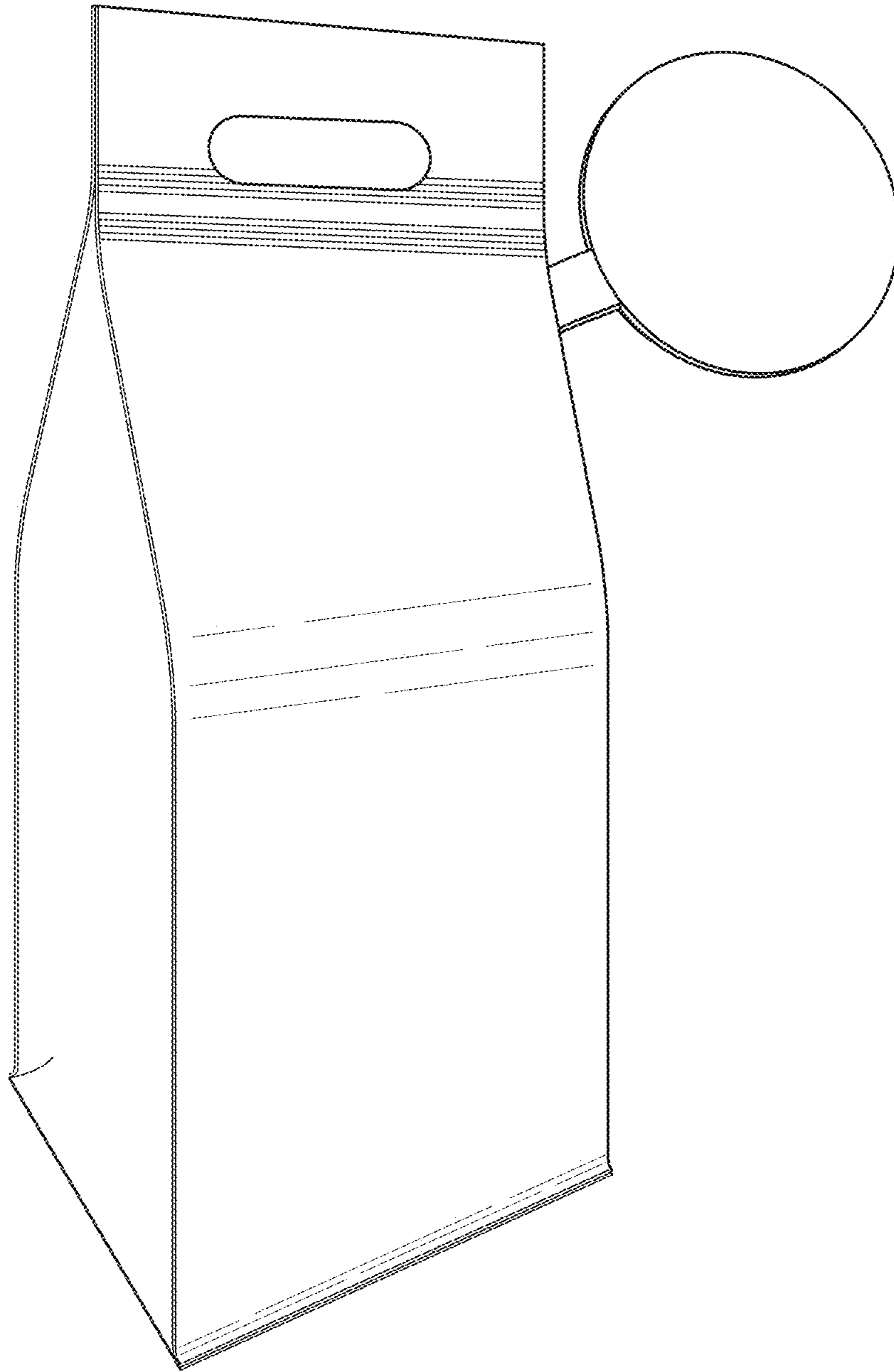


FIG. 64