



US00D903498S

(12) **United States Design Patent** (10) **Patent No.:** **US D903,498 S**
Marcio et al. (45) **Date of Patent:** **** Dec. 1, 2020**

(54) **PERFUME BOTTLE**
(71) Applicant: **MARC STERN Perfumes AG**, Peseux (CH)
(72) Inventors: **Xavier Benjamin Marcio**, Auvernier (CH); **Pauline Bucher**, Bienne (CH); **Sébastien Dassi**, St-Blaise (CH); **Baptiste Cavalli**, Le Bélieu (FR)

53/06; B65D 75/56; B65D 79/005; B65D 2501/0036; B65D 2543/00064; B65D 2543/00074; B65D 2543/00083; B65D 2543/00092; B65D 2543/00101; B65D 2543/00111; Y10T 29/49826
See application file for complete search history.

(73) Assignee: **MARC STERN PERFUMES AG**, Peseux (CH)

(**) Term: **15 Years**

(21) Appl. No.: **35/506,785**

(22) Filed: **Nov. 22, 2018**

(80) **Hague Agreement Data**

Int. Filing Date: **Nov. 22, 2018**

Int. Reg. No.: **DM/201065**

Int. Reg. Date: **Nov. 22, 2018**

Int. Reg. Pub. Date: **May 24, 2019**

(51) **LOC (12) Cl.** **09-01**

(52) **U.S. Cl.**
USPC **D9/521**

(58) **Field of Classification Search**
USPC D9/516, 519, 521-523, 526-528, D9/530-532, 682, 690, 691, 693, D9/707-710

CPC B21D 51/26; B21D 51/383; B29C 66/71; B65D 1/00; B65D 1/02; B65D 1/12; B65D 1/14; B65D 1/40; B65D 1/44; B65D 1/023; B65D 1/0223; B65D 1/165; B65D 1/238; B65D 1/246; B65D 1/253; B65D 7/04; B65D 21/0209; B65D 21/0233; B65D 25/00; B65D 25/28; B65D 41/0457; B65D 41/17; B65D

(56) **References Cited**

U.S. PATENT DOCUMENTS

D449,978 S *	11/2001	Viellard	D9/521
D486,066 S *	2/2004	Hannen	D9/523
D547,189 S *	7/2007	Legros	D9/521
D651,903 S *	1/2012	Teller	D9/521
D660,162 S *	5/2012	Baron	D9/521
D668,772 S *	10/2012	Shanler	D24/224
D668,776 S *	10/2012	Shanler	D24/224
D668,777 S *	10/2012	Shanler	D24/224
D751,910 S *	3/2016	Saboia	D9/521
D775,960 S *	1/2017	Erdwiens	D9/521

* cited by examiner

Primary Examiner — Keli L Hill

(74) *Attorney, Agent, or Firm* — Pearne & Gordon LLP

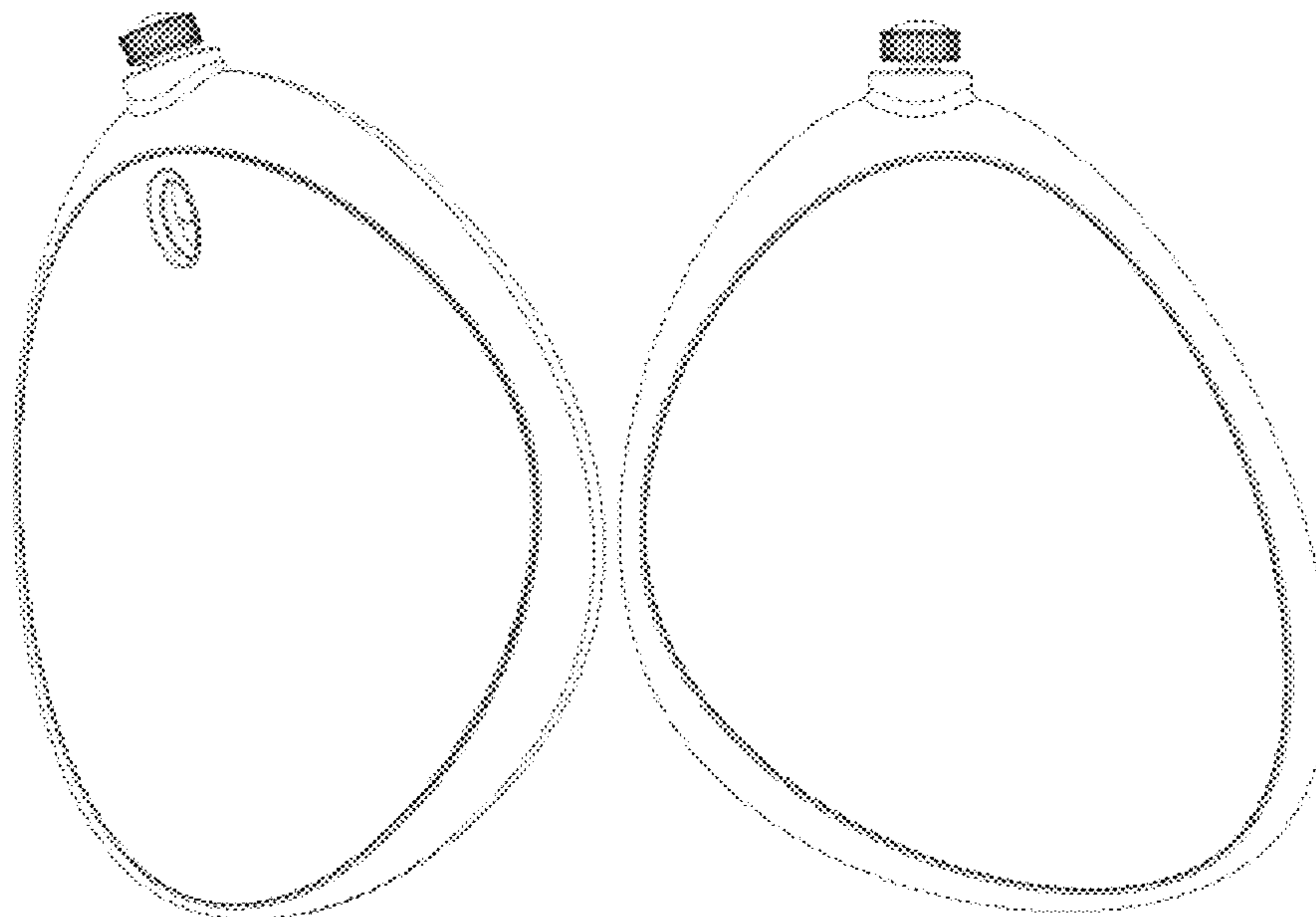
(57) **CLAIM**

The ornamental design for a perfume bottle, as shown and described.

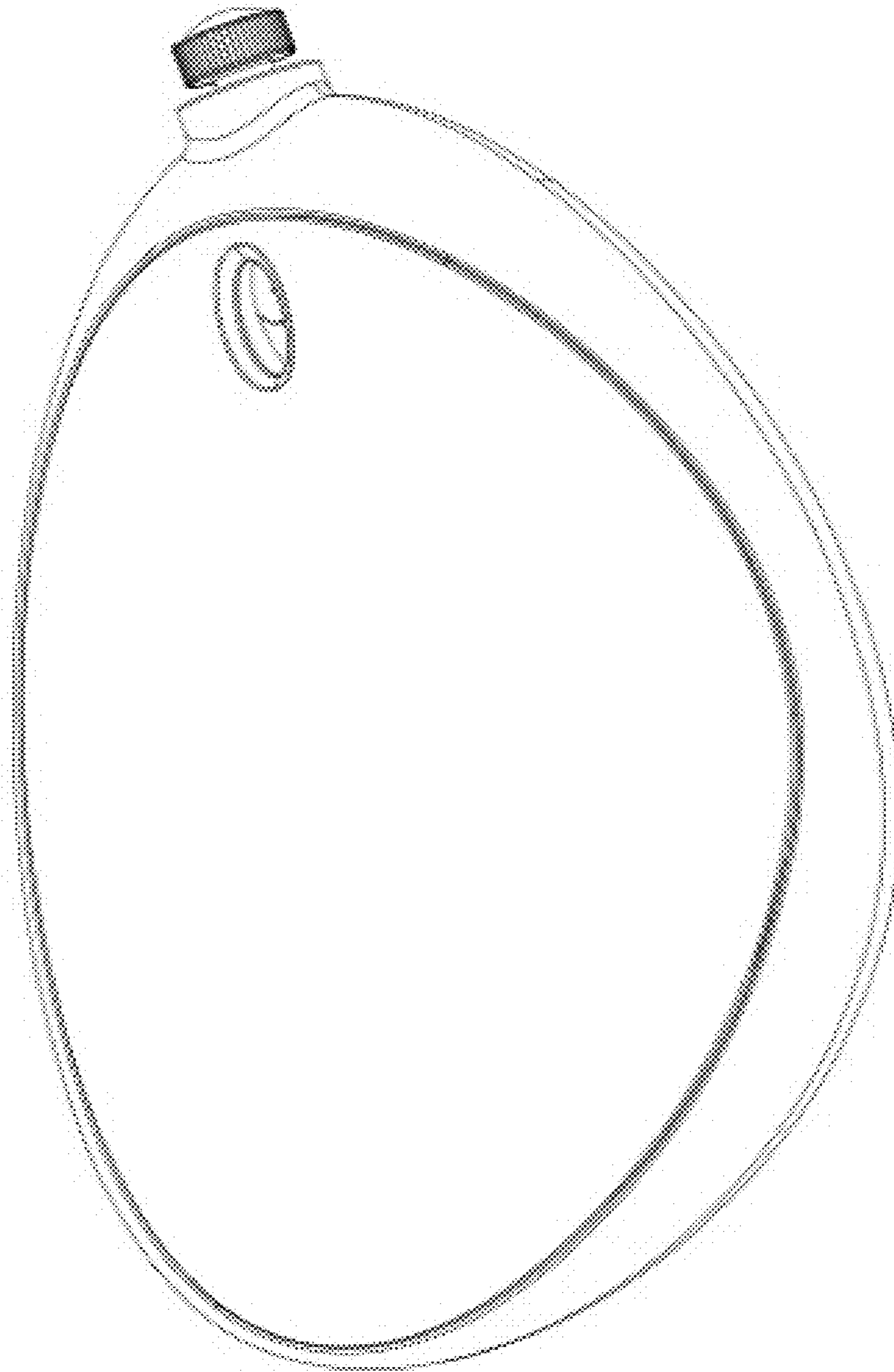
DESCRIPTION

- 1. Perfume bottle
- 1.1 is a front and right side perspective view.
- 1.2 is a bottom plan view.
- 1.3 is a top plan view.
- 1.4 is a right side elevation view.
- 1.5 is a left side elevation view.
- 1.6 is a rear elevation view.
- 1.7 is a front elevation view.

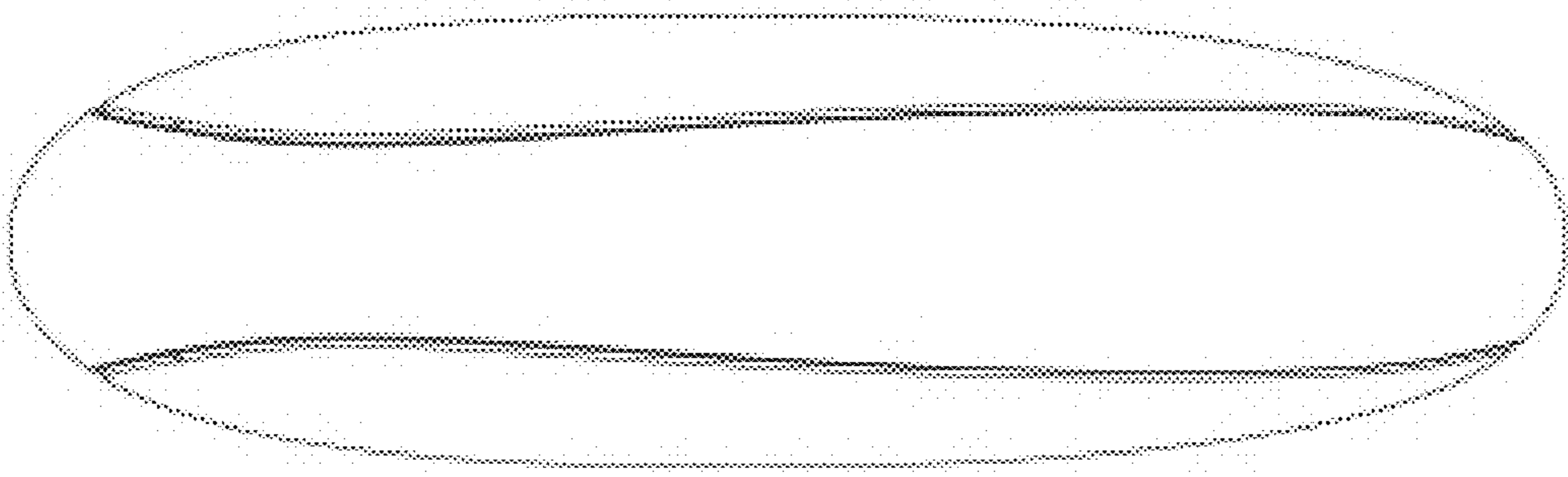
1 Claim, 7 Drawing Sheets



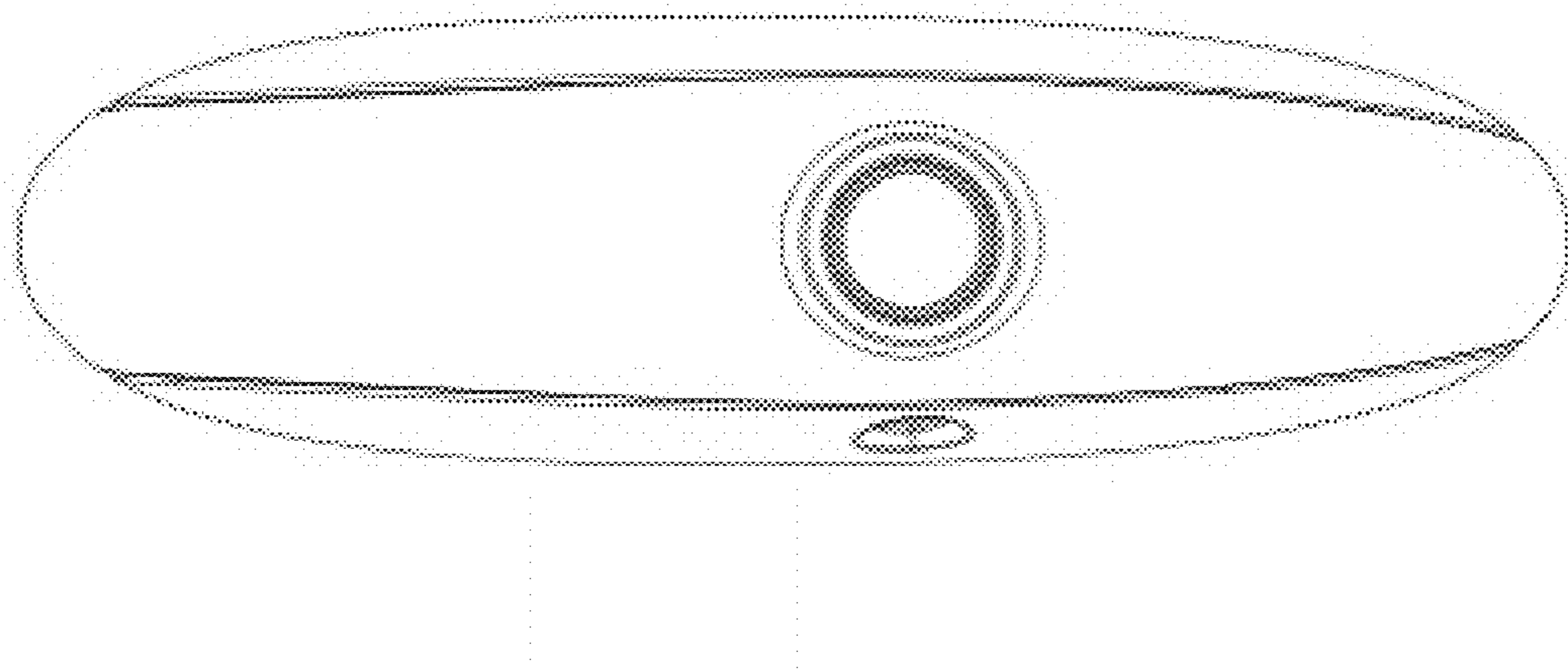
1.1



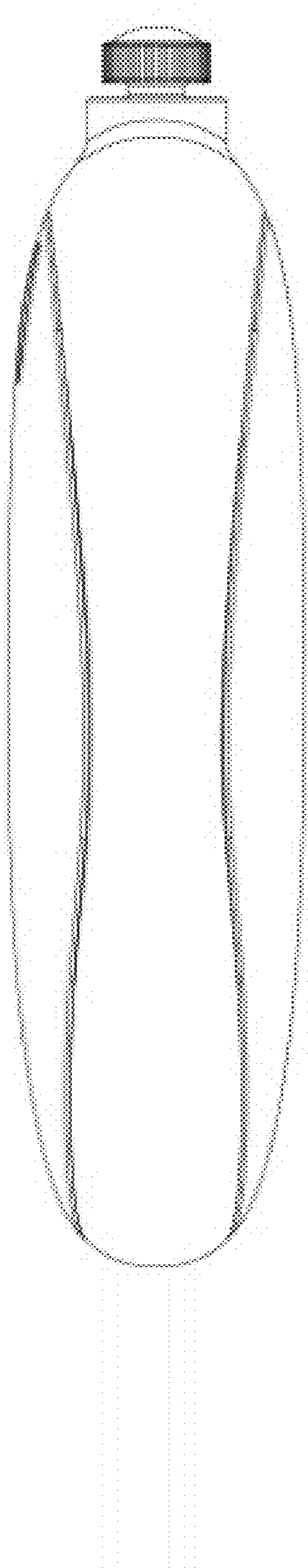
1.2



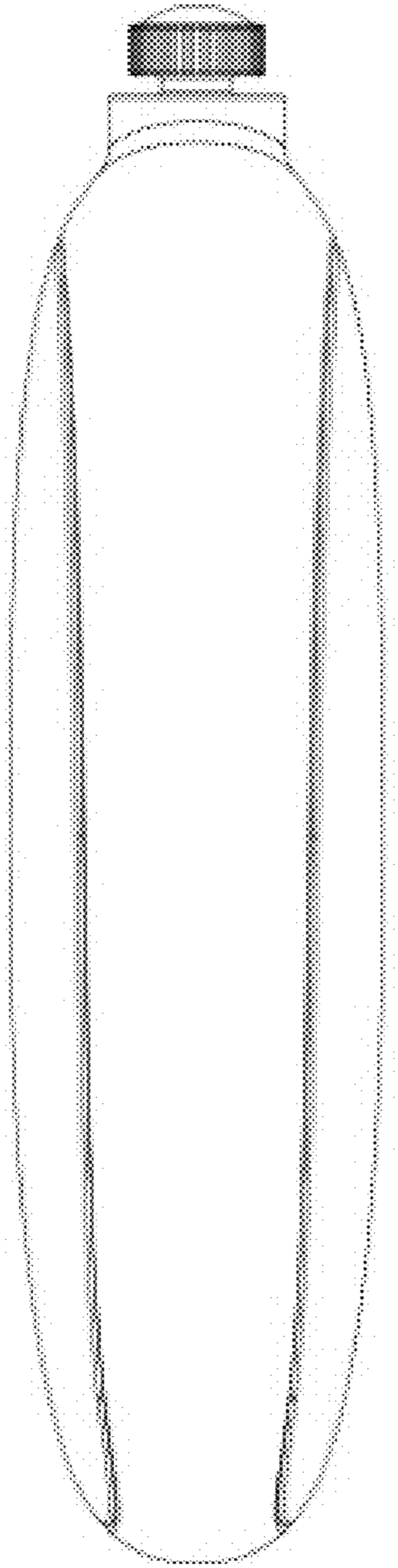
1.3



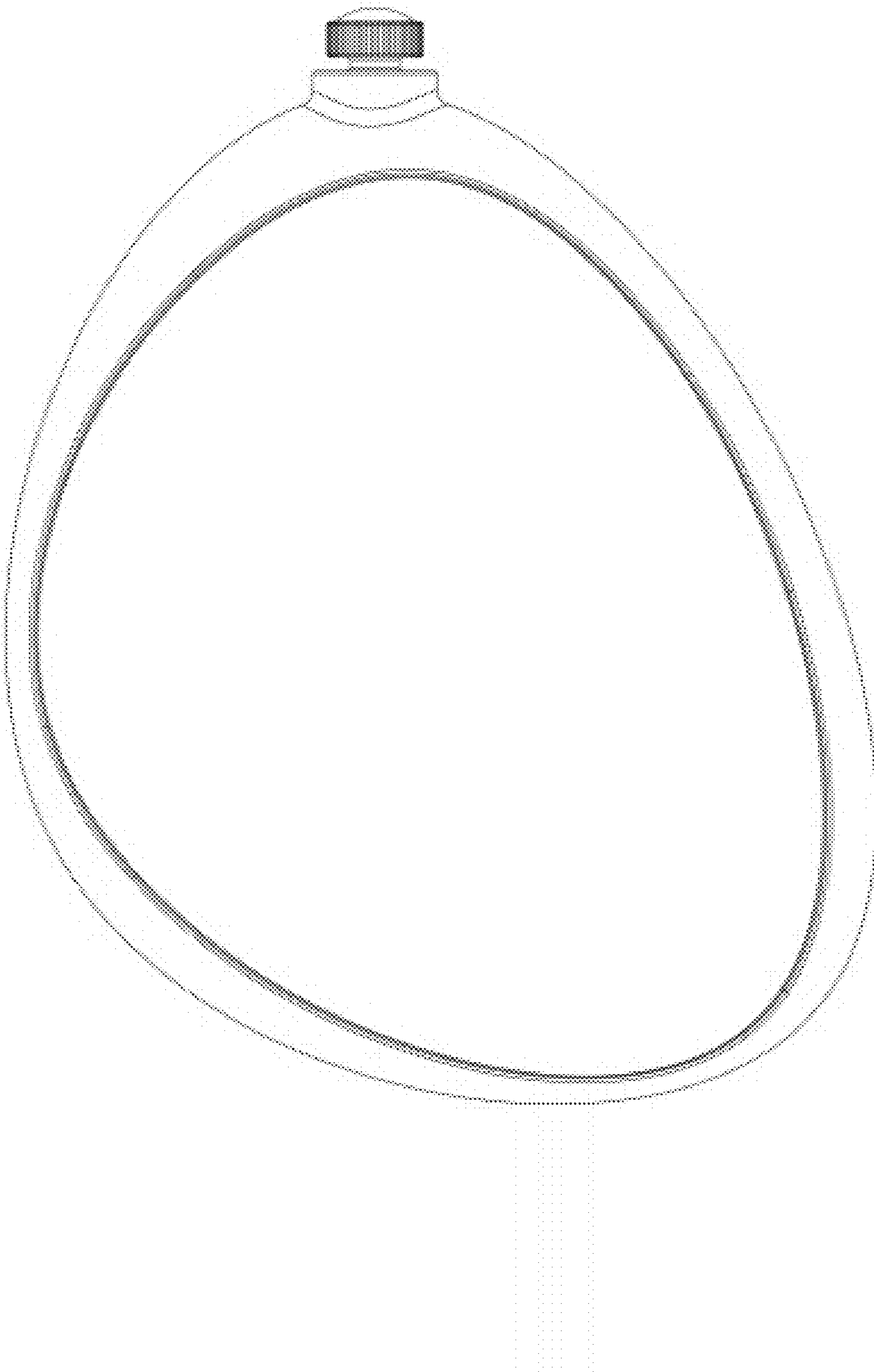
1.4



1.5



1.6



1.7

