



US00D903497S

(12) **United States Design Patent** (10) **Patent No.:** **US D903,497 S**
Cornehl et al. (45) **Date of Patent:** **** Dec. 1, 2020**

- (54) **BOTTLE**
- (71) Applicant: **By Quest LLC**, Millburn, NJ (US)
- (72) Inventors: **Ingrid Cornehl**, Morristown, NJ (US);
Sallie Reynolds Allen, Charleston, SC (US)
- (73) Assignee: **By Quest, LLC**, Millburn, NJ (US)
- (**) Term: **15 Years**
- (21) Appl. No.: **29/737,754**
- (22) Filed: **Jun. 11, 2020**

- D514,448 S 2/2006 Kuzma et al.
- D526,569 S 8/2006 Wurster et al.
- D584,634 S 1/2009 Perez et al.
- D585,755 S 2/2009 Dodge et al.
- D590,721 S 4/2009 Martinez De San Vicente
- D591,159 S 4/2009 Pagliaro
- D622,600 S * 8/2010 Bradfield D9/544
- D697,417 S 1/2014 Maczassek
- D697,423 S * 1/2014 Infahsaeng D9/652
- D719,030 S 12/2014 Perez-Cabrera
- D731,318 S 6/2015 Monaghan et al.
- D792,231 S 7/2017 Thompson
- D815,541 S 4/2018 Harris et al.

(Continued)

Related U.S. Application Data

- (62) Division of application No. 29/716,759, filed on Dec. 11, 2019.
- (51) **LOC (12) Cl.** **09-01**
- (52) **U.S. Cl.**
USPC **D9/516; D9/544**
- (58) **Field of Classification Search**
USPC D9/434, 516, 530, 542, 544, 549, 558,
D9/563, 571, 573-574, 715, 719
CPC B65D 1/00; B65D 1/02; B65D 1/0223;
B65D 23/00; B65D 51/32; B65D
2501/00; B65D 2501/0009; B65D
2501/0081
See application file for complete search history.

References Cited

U.S. PATENT DOCUMENTS

- 1,647,175 A * 11/1927 Grunberg A45D 34/02
215/370
- D80,709 S * 3/1930 Teague D9/559
- D95,260 S * 4/1935 Key D9/562
- D103,911 S * 3/1937 Knox D9/545
- D253,454 S * 11/1979 Earle D9/500
- D265,382 S * 7/1982 Jonsson D9/500
- D279,547 S * 7/1985 Tobias D9/522
- D379,765 S * 6/1997 Hencher D9/542

OTHER PUBLICATIONS

Notice of Allowance dated Apr. 9, 2020, issued in connection with U.S. Appl. No. 29/716,759 (11 pages).

Primary Examiner — Dana Meyrow

(74) *Attorney, Agent, or Firm* — McCarter & English, LLP

CLAIM

(57) The ornamental design for a bottle, as shown and described.

DESCRIPTION

FIG. 1 is a perspective view of a bottle showing our new design, including portions thereof shown in phantom lines which form no part of the claimed design;

FIG. 2 is a front view thereof, the rear view being substantially identical;

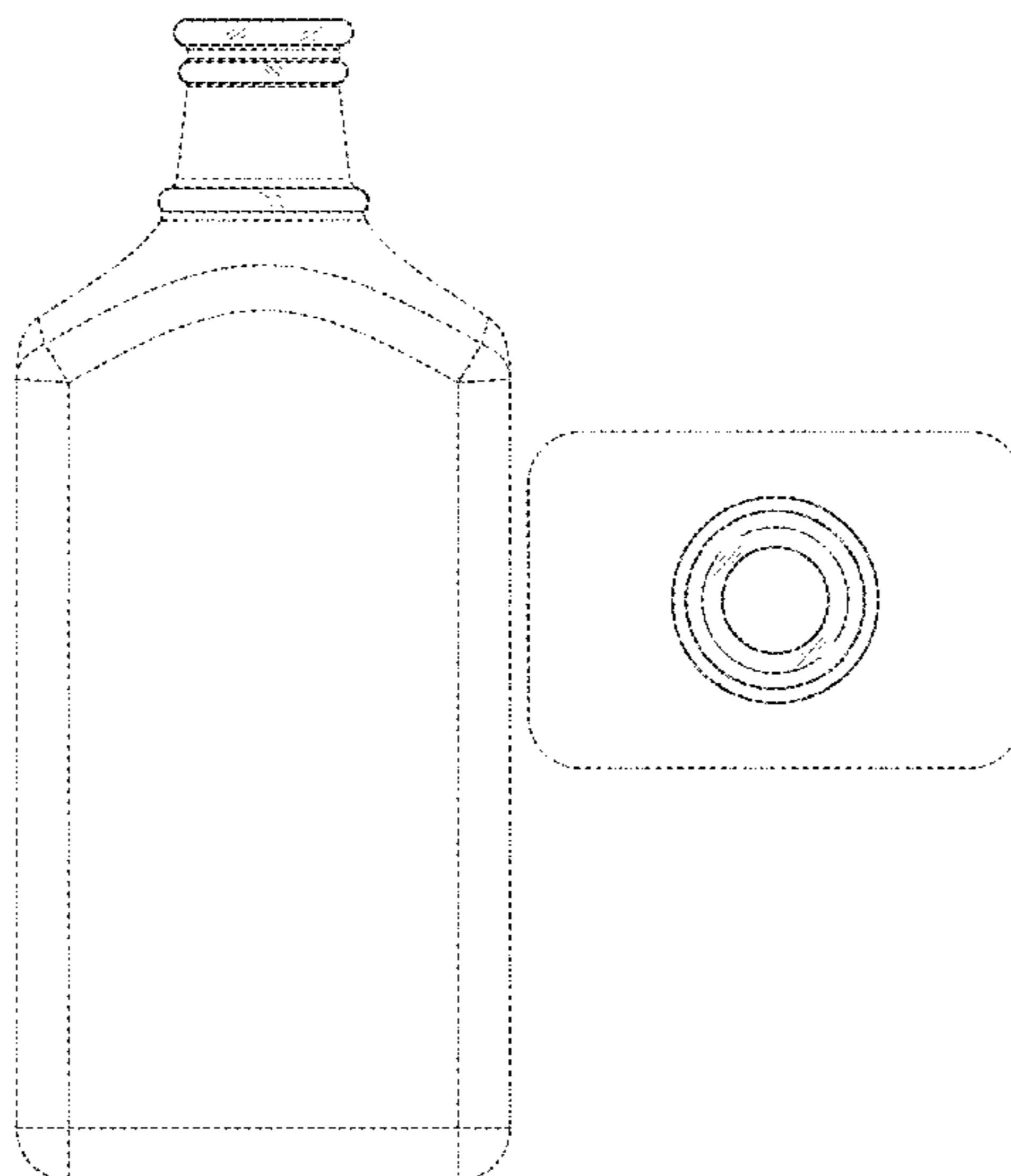
FIG. 3 is a right side view, the left side view being substantially identical;

FIG. 4 is a top view thereof; and,

FIG. 5 is a bottom view thereof.

The evenly-dashed broken lines in the drawings illustrate the portions of the bottle that form no part of the claimed design. The dot-dash broken lines in the drawings define the bounds of the claim and form no part thereof.

1 Claim, 4 Drawing Sheets



(56)

References Cited

U.S. PATENT DOCUMENTS

D845,138 S 4/2019 Atkins
D878,572 S 3/2020 Davis et al.

* cited by examiner

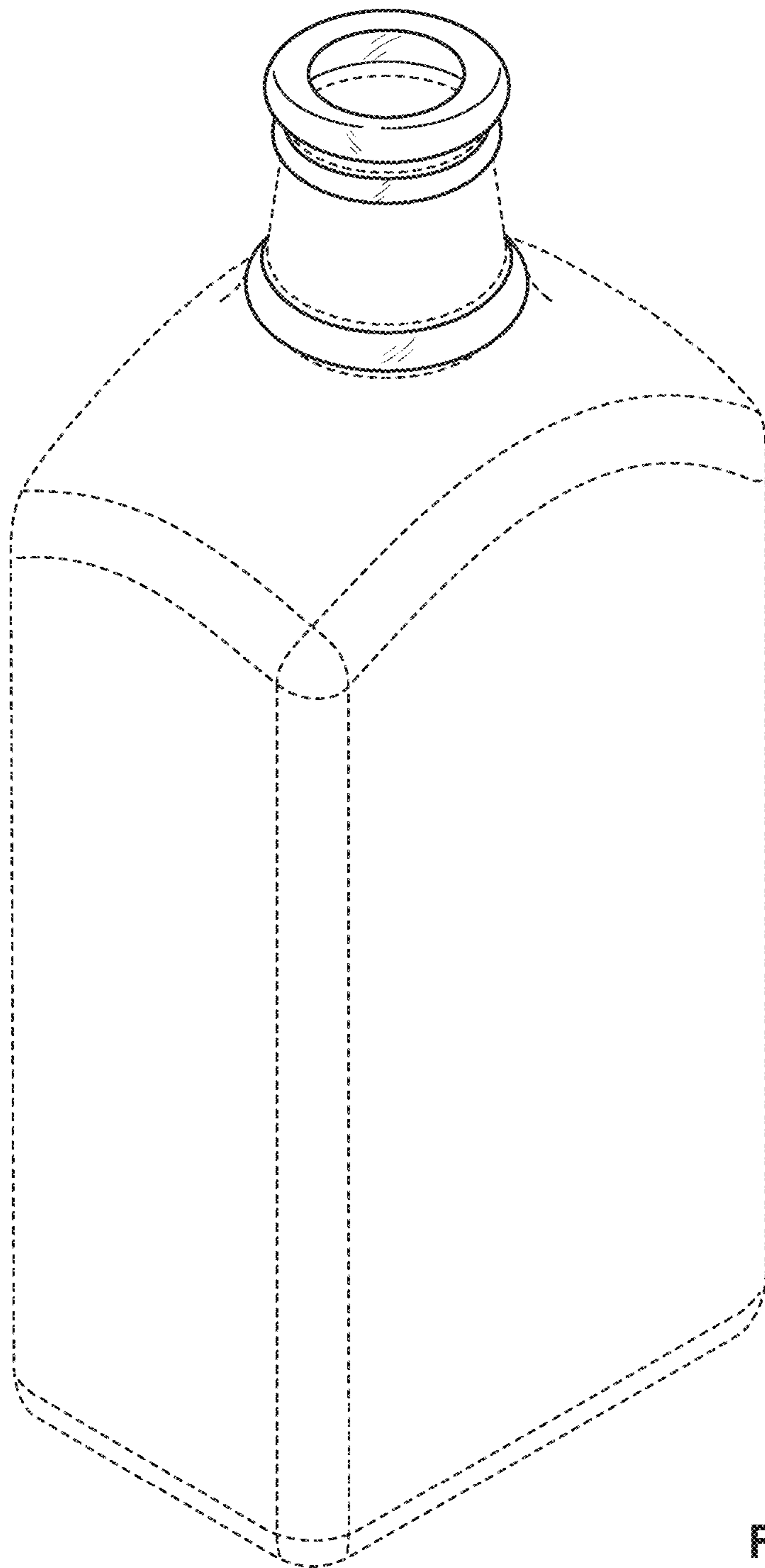


FIG. 1

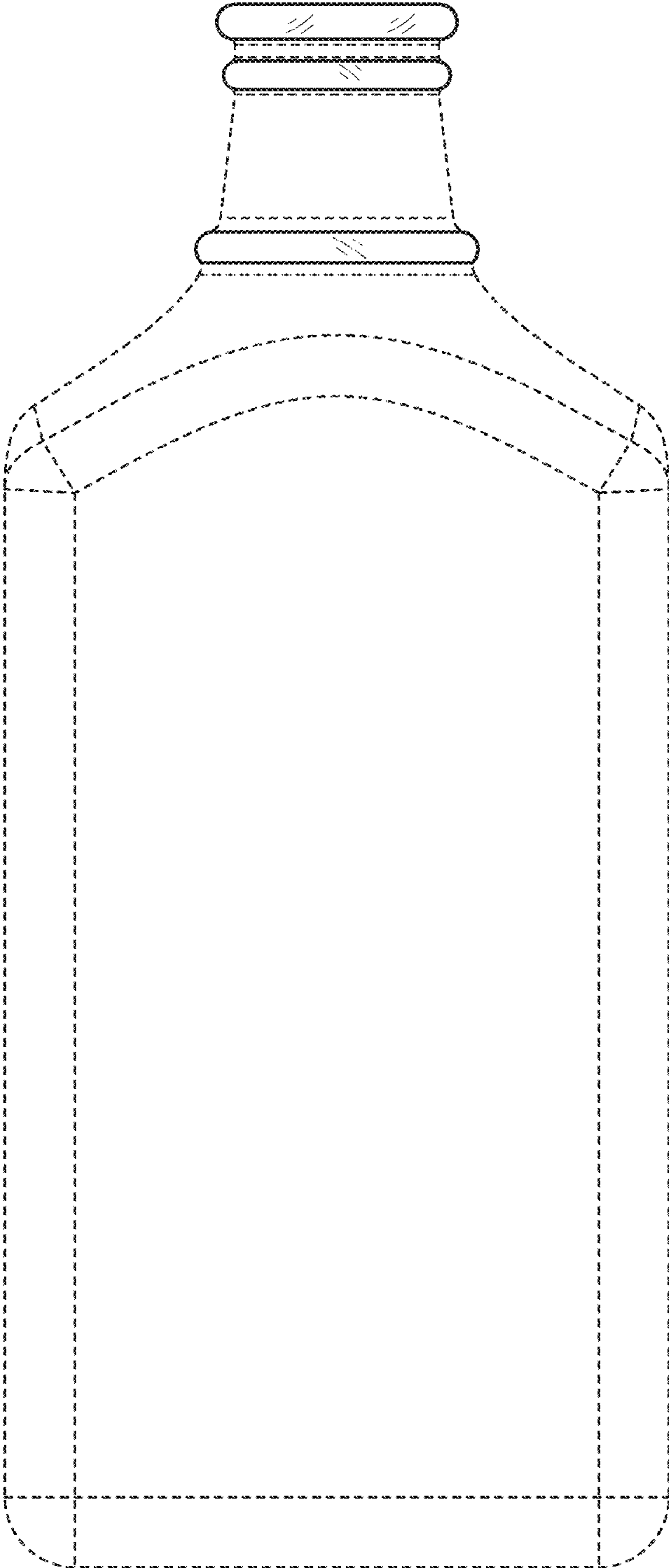


FIG. 2

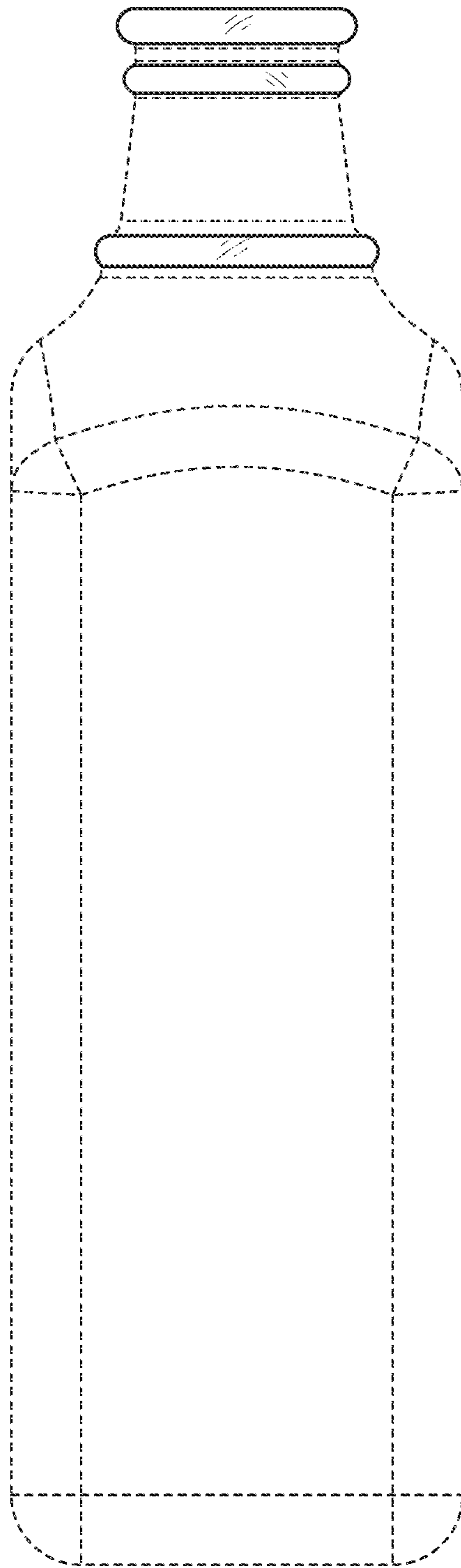


FIG. 3

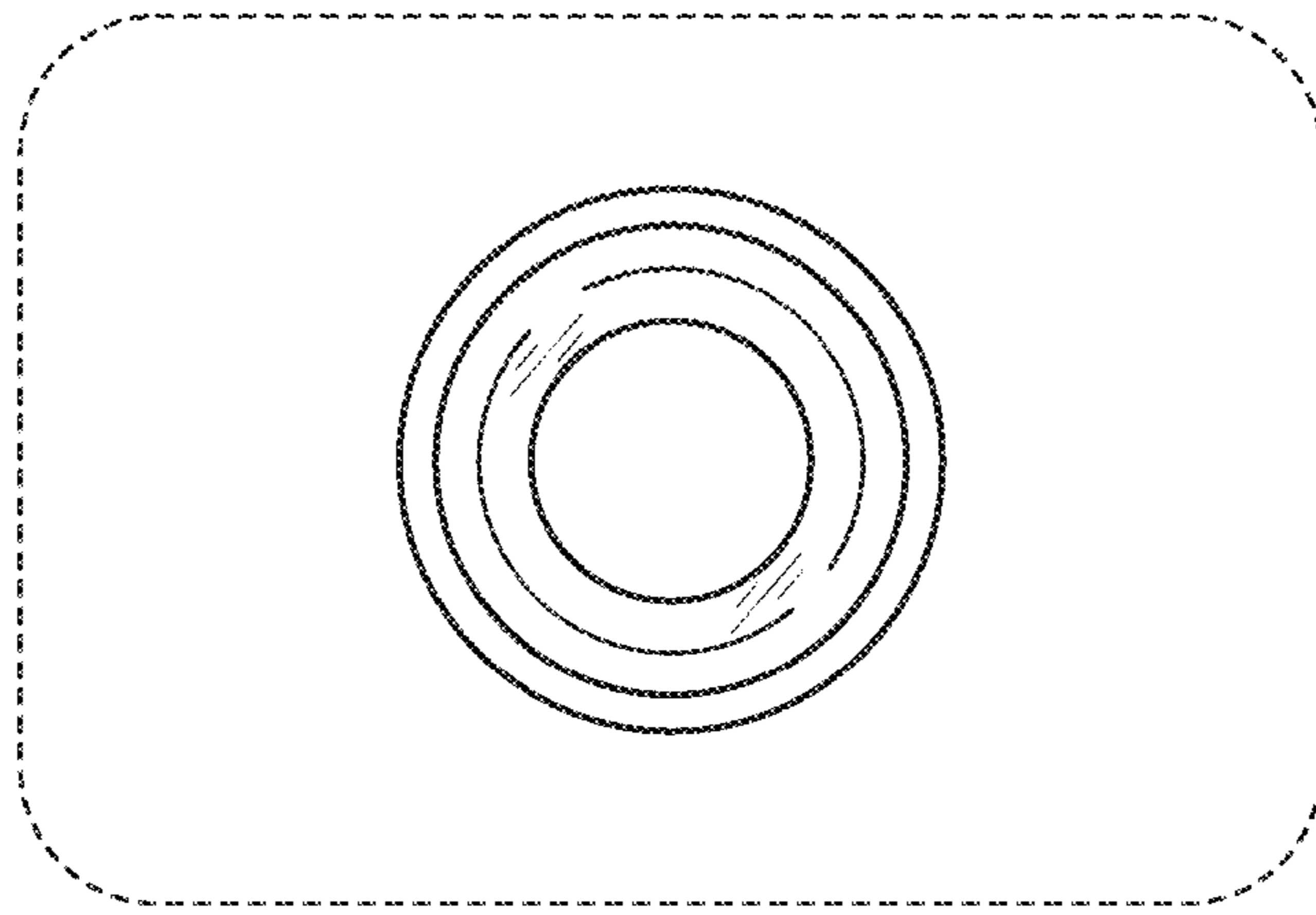


FIG. 4

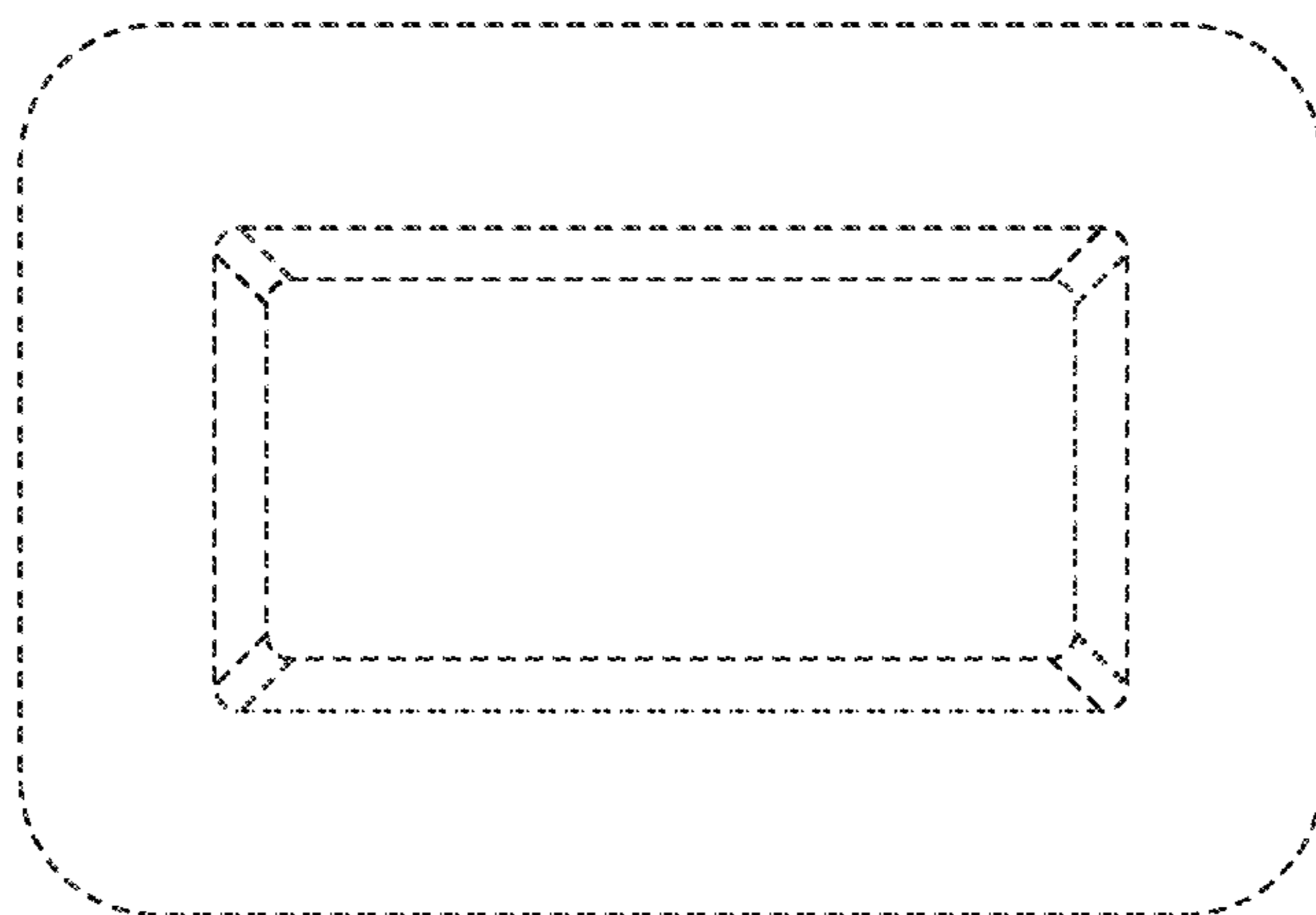


FIG. 5