



US00D903495S

(12) **United States Design Patent** (10) **Patent No.:** **US D903,495 S**  
**Chou** (45) **Date of Patent:** **\*\* Dec. 1, 2020**

(54) **BOTTLE**

(71) Applicant: **JIN TEA CORPORATION**, City of Industry, CA (US)

(72) Inventor: **Chi How Chou**, City of Industry, CA (US)

(\*\*) Term: **15 Years**

(21) Appl. No.: **29/615,512**

(22) Filed: **Aug. 29, 2017**

**Related U.S. Application Data**

(63) Continuation of application No. 29/558,000, filed on Mar. 14, 2016, now abandoned.

(51) **LOC (12) Cl.** ..... **09-01**

(52) **U.S. Cl.**  
USPC ..... **D9/504; D9/454**

(58) **Field of Classification Search**  
USPC ..... D9/500, 503-505, 516, 529-530,  
D9/537-540, 544-545, 549, 558, 659,  
D9/715, 719; D7/509-511, 523  
CPC ..... B65D 1/00; B65D 1/02; B65D 1/0223;  
B65D 1/023; B65D 2501/00; B65D  
2501/0009

See application file for complete search history.

(56) **References Cited**

**U.S. PATENT DOCUMENTS**

D139,381 S *	11/1944	Harris	.....	D9/504
D189,374 S *	11/1960	Harris	.....	D9/504
D373,730 S *	9/1996	Baron	.....	D9/504
D406,921 S *	3/1999	Roeder	.....	401/129
D463,973 S *	10/2002	Gobe	.....	D9/689
D470,235 S *	2/2003	Kumar	.....	D24/121
D565,952 S *	4/2008	Mettler	.....	D9/504
D565,953 S *	4/2008	Swint	.....	D9/504
D566,559 S *	4/2008	Swint	.....	D9/504

D571,663 S *	6/2008	Bakic	.....	D9/500
D609,571 S *	2/2010	Butler	.....	D9/504
D615,404 S *	5/2010	Pitzer	.....	D9/500
D638,710 S *	5/2011	Yeung	.....	D9/504
D639,661 S *	6/2011	Llerena	.....	D9/504
D639,663 S *	6/2011	Llerena	.....	D9/504
D685,639 S *	7/2013	Colon	.....	D9/449
D687,303 S *	8/2013	Colon	.....	D9/449
D702,554 S *	4/2014	Cole	.....	D28/76

(Continued)

**OTHER PUBLICATIONS**

Jin bottle, Photos for Jin Tea Shop, yelp.com, select photos posted Sep. 15 and Oct. 18, 2015, 7 pages, <<https://www.yelp.com/biz/jin-tea-shop-pasadena>>.\*

*Primary Examiner* — Dana Meyrow

(74) *Attorney, Agent, or Firm* — Tommy SF Wang; Wang IP Law Group, P.C.

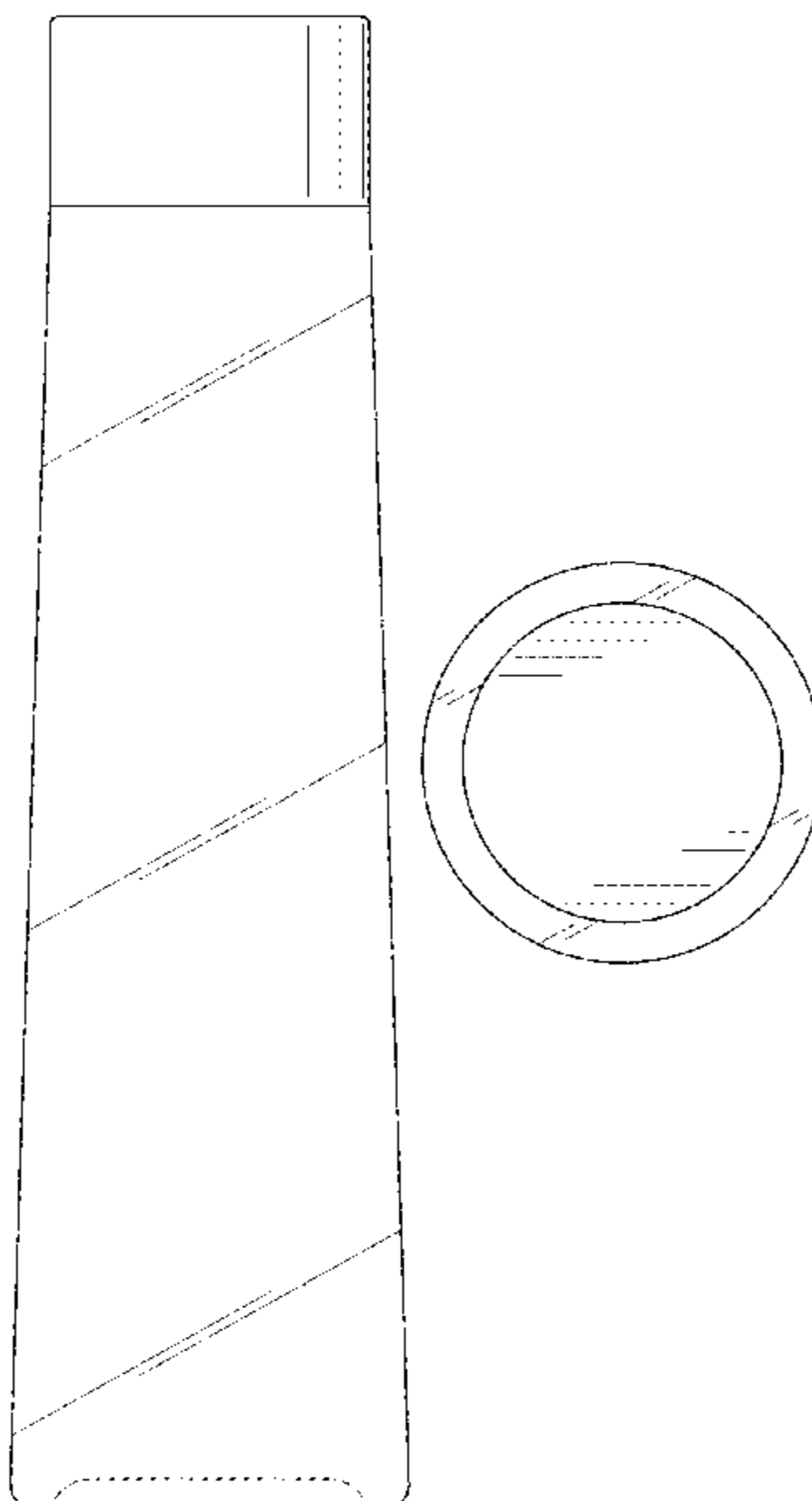
(57) **CLAIM**

The ornamental design for a bottle, as shown and described.

**DESCRIPTION**

FIG. 1 is a perspective view of a bottle showing my new design;  
FIG. 2 is a front view thereof;  
FIG. 3 is a top view thereof;  
FIG. 4 is a bottom view thereof;  
FIG. 5 is another perspective view thereof, with a cap of the bottle shown in a detached configuration; and,  
FIG. 6 is the other perspective view thereof, with the cap of the bottle shown in the detached configuration.  
A rear view, a left side view and a right side view are omitted as they are identical to the front view shown in FIG. 2.  
The broken line portions of the bottle in FIGS. 1-2 and FIGS. 4-6 represent unclaimed portions of the claimed design and form no part thereof.

**1 Claim, 5 Drawing Sheets**



(56)

**References Cited**

U.S. PATENT DOCUMENTS

D732,893 S \* 6/2015 Bronwasser ..... D7/510  
D844,440 S \* 4/2019 Allen, III ..... D9/504

\* cited by examiner

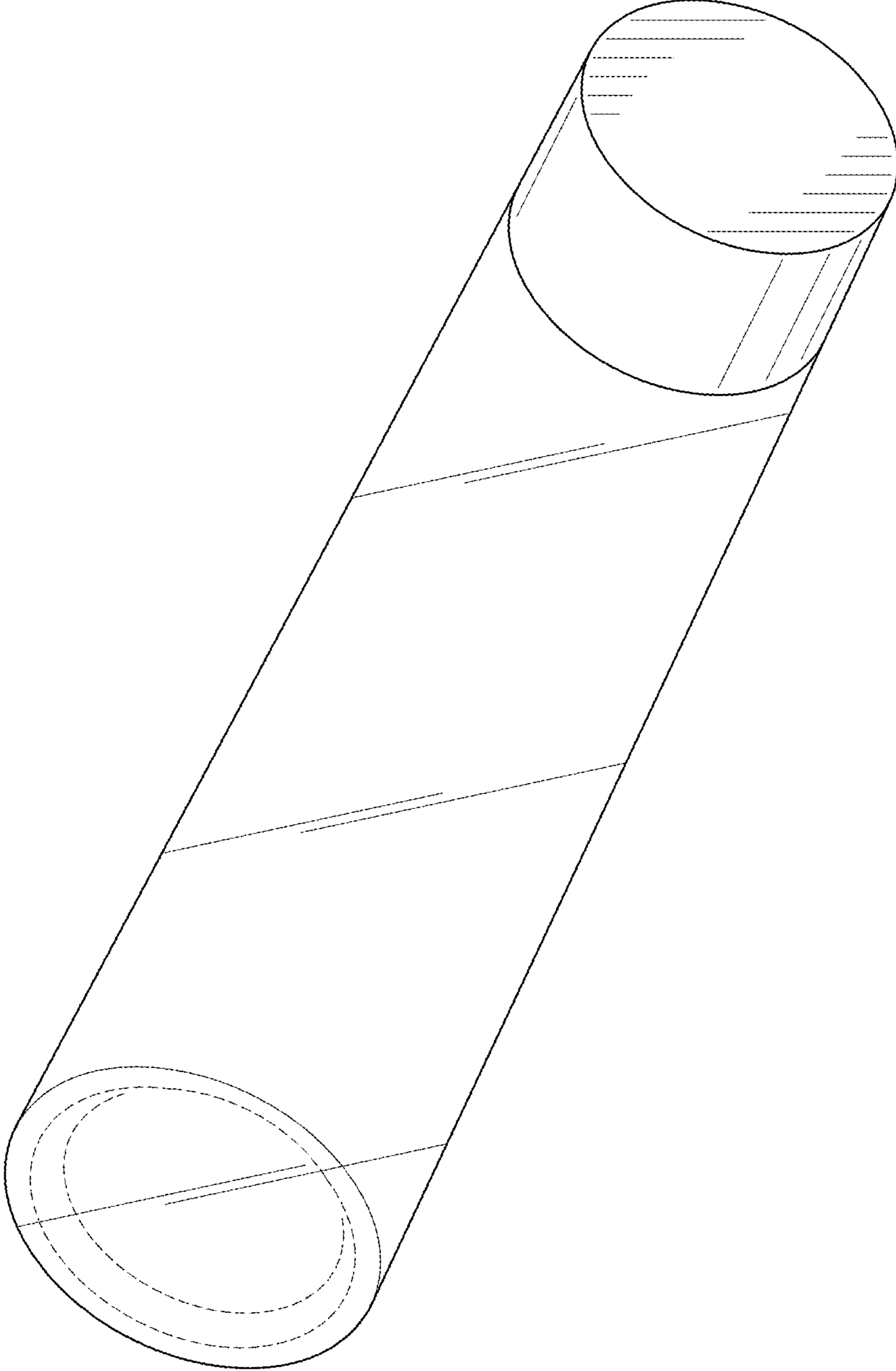


FIG. 1

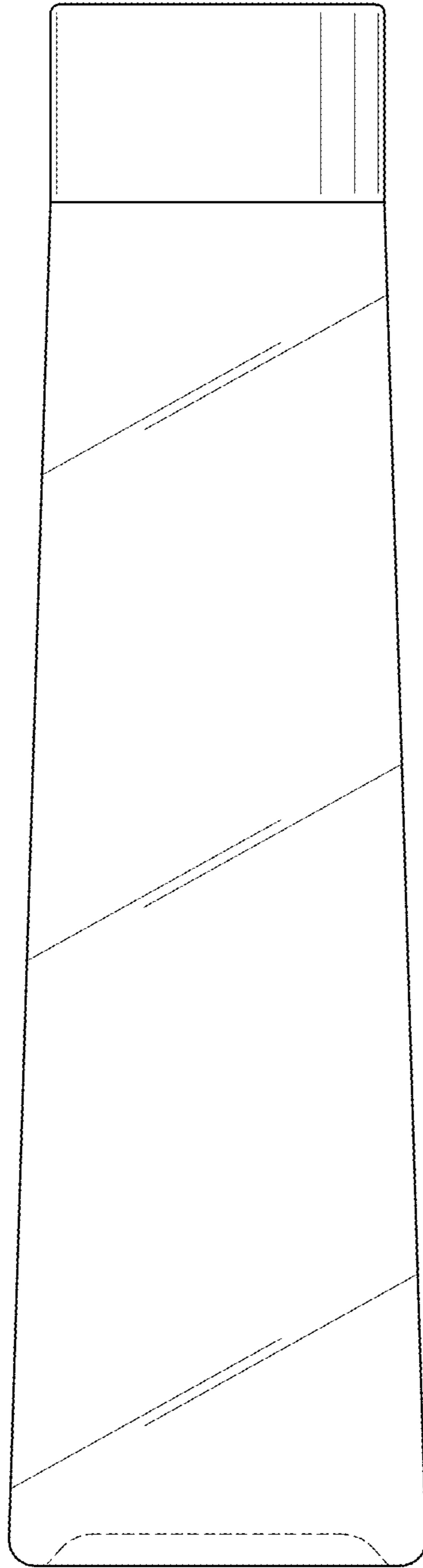


FIG. 2

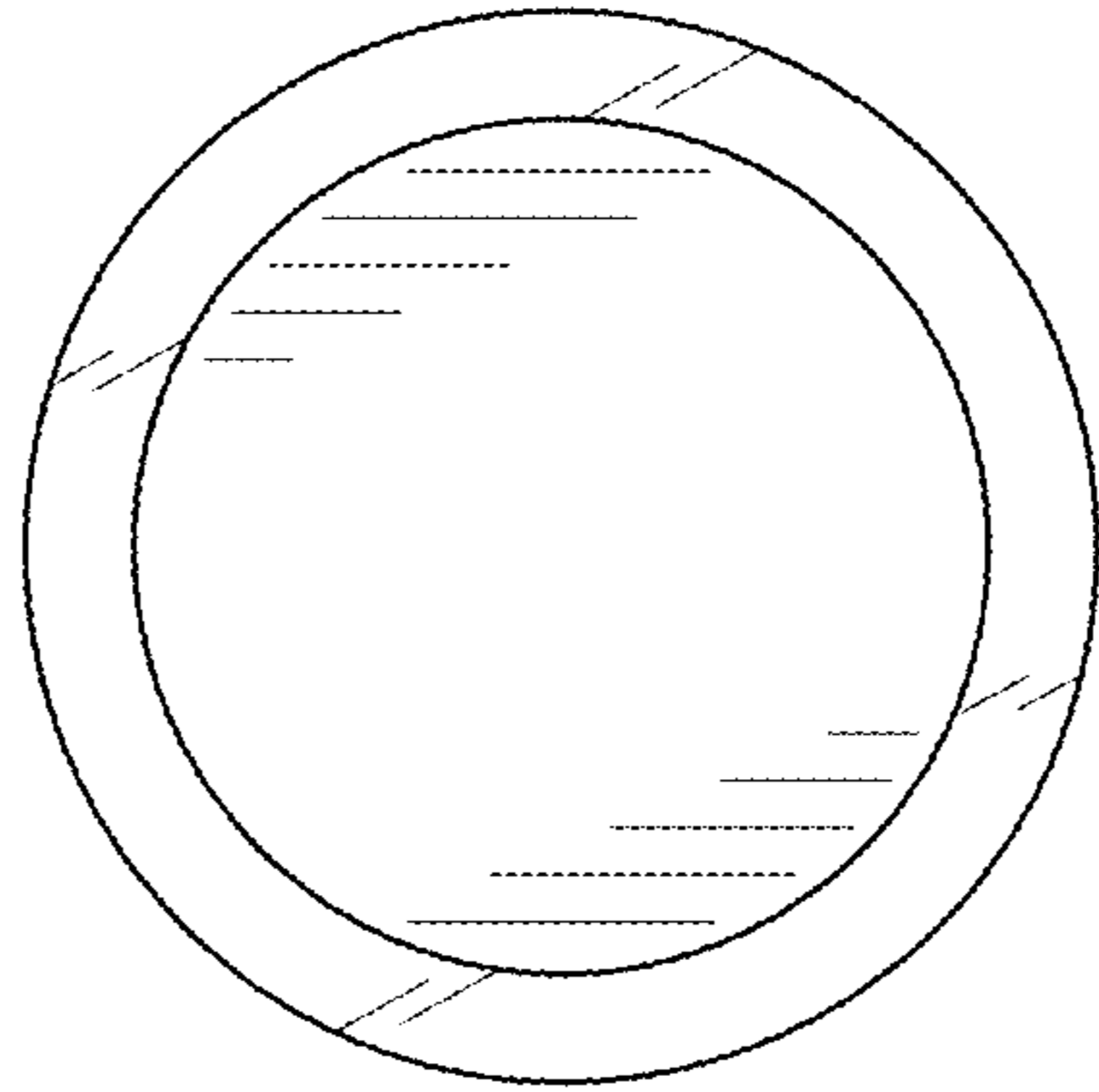


FIG. 3

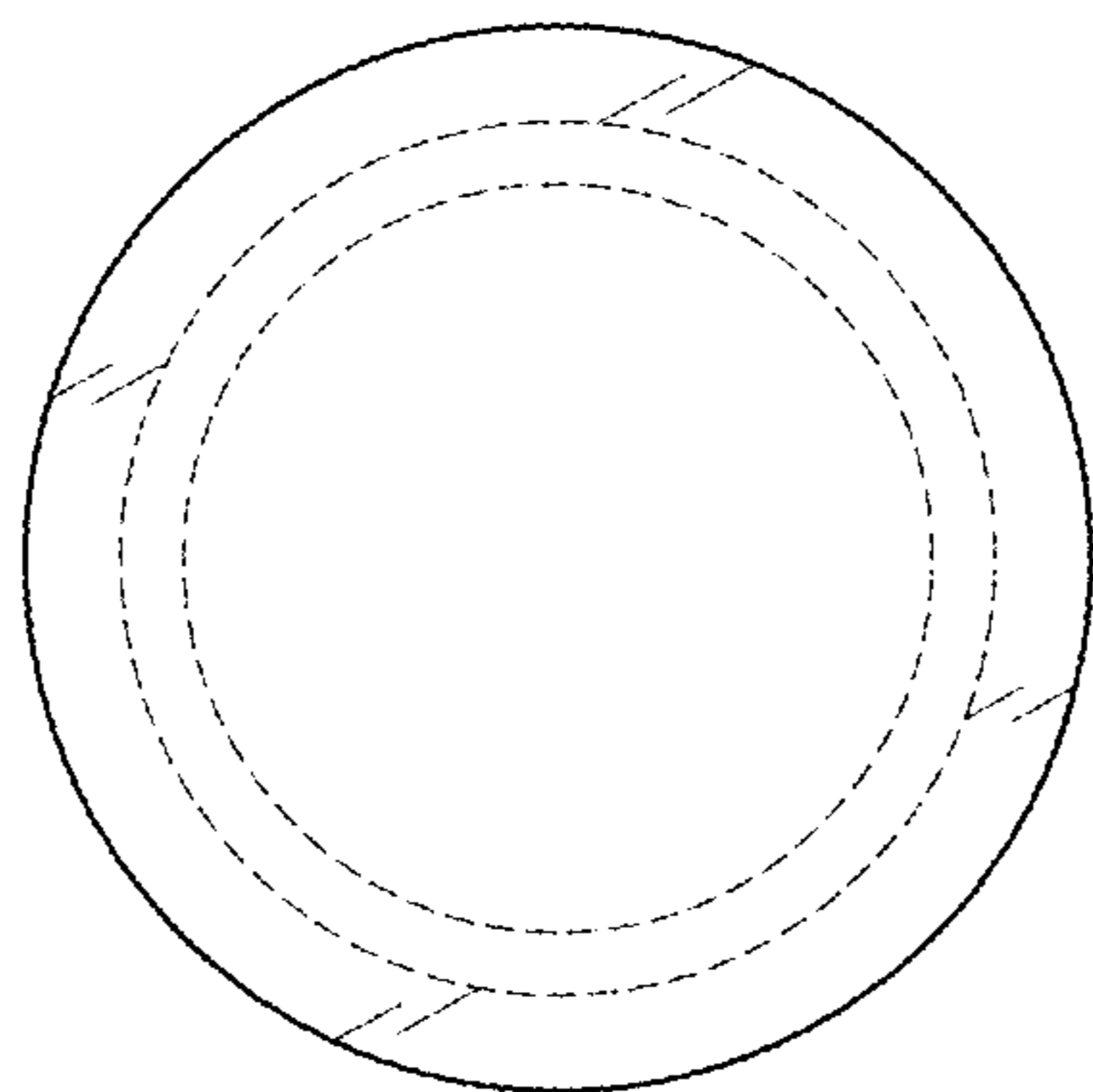


FIG. 4

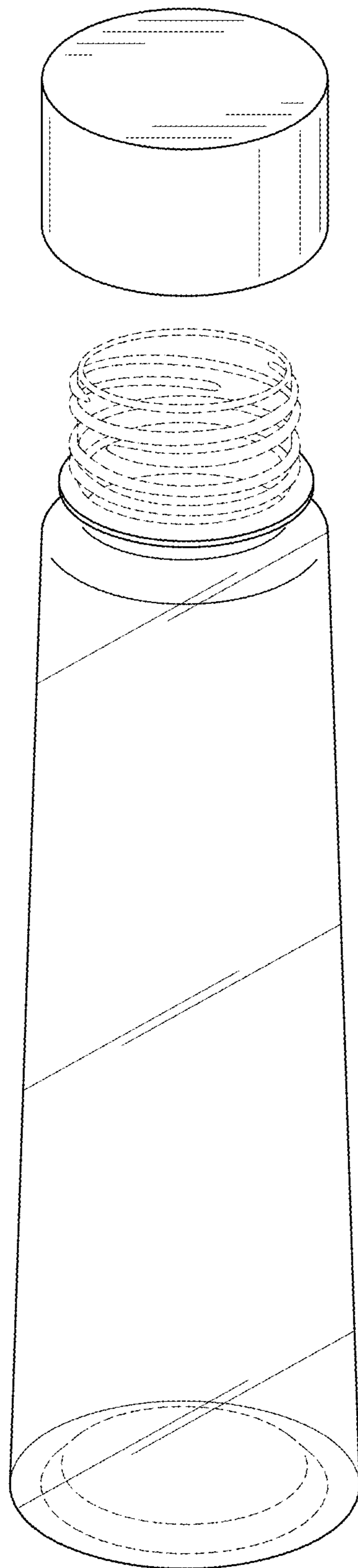


FIG. 5

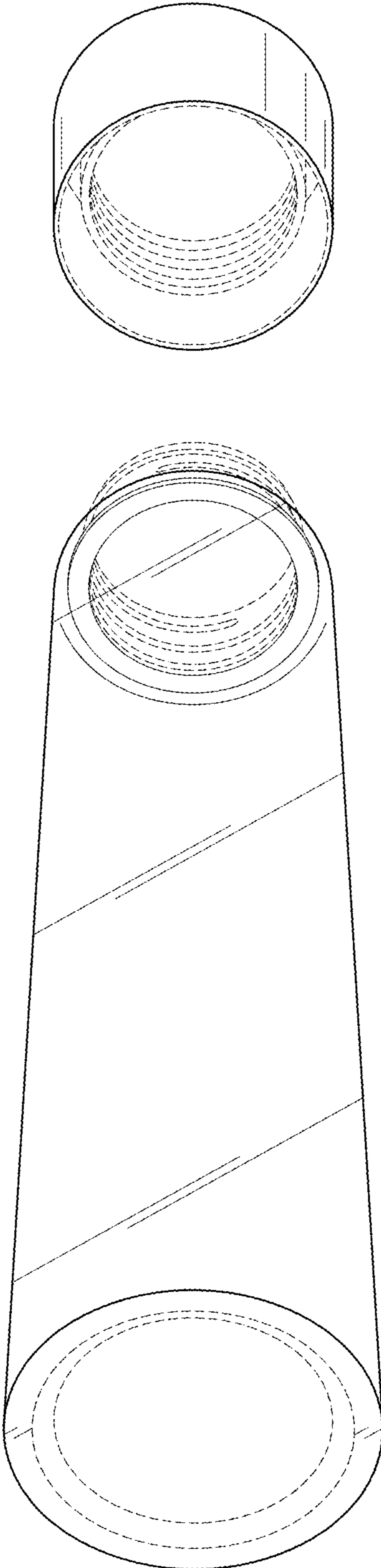


FIG. 6