



US00D903494S

(12) **United States Design Patent** (10) **Patent No.:** **US D903,494 S**
Dwork (45) **Date of Patent:** **** Dec. 1, 2020**

(54) **FOOD CONTAINER DIVIDER**

(71) Applicant: **Michael D. Dwork**, New York, NY
(US)

(72) Inventor: **Michael D. Dwork**, New York, NY
(US)

(**) Term: **15 Years**

(21) Appl. No.: **29/622,617**

(22) Filed: **Oct. 18, 2017**

(51) **LOC (12) Cl.** **09-07**

(52) **U.S. Cl.**
USPC **D9/456; D9/433**

(58) **Field of Classification Search**

USPC D6/300, 308, 546, 672, 675, 678.2;
D7/300, 305, 306, 307, 308, 312, 313,
D7/391, 397, 541, 550.1, 553.1, 553.2,
D7/553.3, 555.589, 590, 601, 602, 701;
D9/414, 415, 418, 420, 424, 425, 426,
D9/430, 432, 433, 434, 455, 456, 457,
D9/499, 721, 722, 737, 756, 759, 760,
D9/761, 612, 653, 661, 674, 667; D19/3,
D19/75, 107; D20/11, 14, 19, 21, 22, 27,
D20/40, 42, 43, 44; D14/300, 308, 313,
D14/314, 348-356, 441-446, 489, 491,
D14/492, 494, 495; D5/6, 7, 11, 23, 25,
D5/26, 37, 45, 56, 57, 58, 59.6, 61, 62;
D21/138, 478, 479, 483, 484, 792;
D25/27, 58, 61, 138, 142; D12/426;
D28/4, 7
CPC A47J 47/20; B65D 21/083; B65D 21/086;
B65D 57/00; B65D 61/02; B65D 81/133;
B65D 5/01; B65D 5/0254; B65D 5/0045;
B65D 5/18; B65D 5/2033; B65D 5/38;
B65D 5/40; B65D 5/48038; B65D
5/48032; B65D 5/48004; B65D 1/24;
B65D 1/34; B65D 1/38; B65D 1/335;
B65D 77/24;

(Continued)

(56) **References Cited**

U.S. PATENT DOCUMENTS

158,828 A * 1/1875 Bryant B65D 5/48038
217/31
222,595 A * 12/1879 Millard B65D 5/48038
217/31

(Continued)

Primary Examiner — Catherine S Posthauer

(74) *Attorney, Agent, or Firm* — Merchant & Gould PC

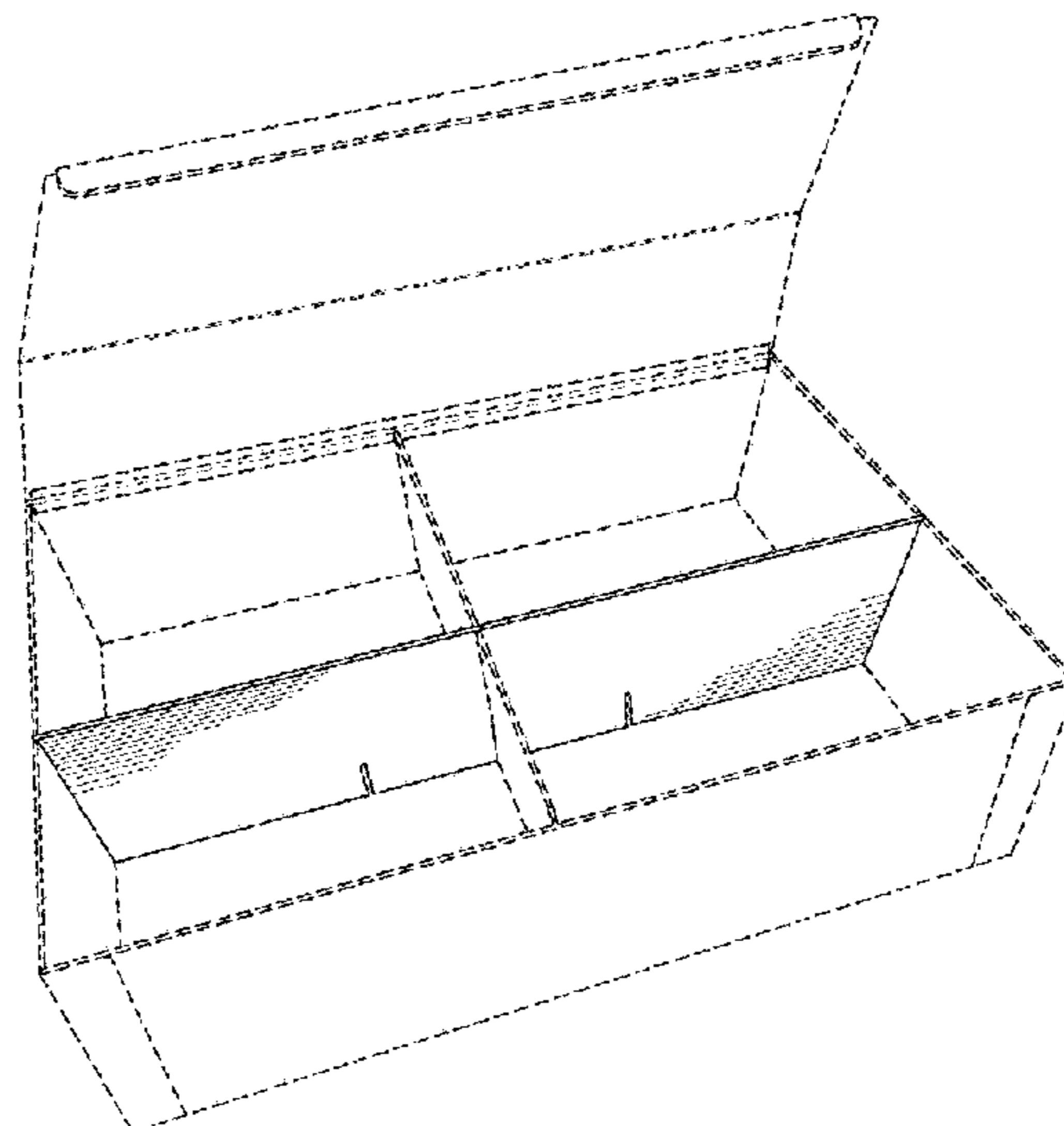
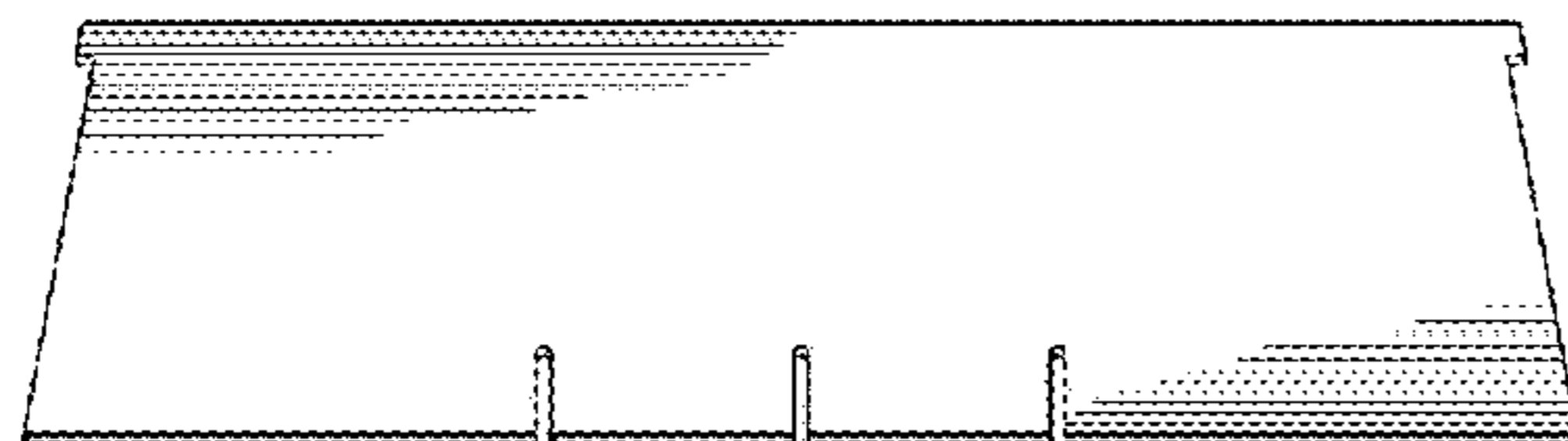
(57) **CLAIM**

The ornamental design for a food container divider, as shown and described.

DESCRIPTION

FIG. 1 is an isometric view of a food container divider according to the present disclosure; FIG. 2 is a front view of the food container divider of FIG. 1; the rear view of the food container divider is a mirror image thereof; FIG. 3 is a bottom view of the food container divider of FIG. 1; FIG. 4 is a top view of the food container divider of FIG. 1; FIG. 5 is a right side view of the food container divider of FIG. 1; the left side view of the food container divider is the same; FIG. 6 is an isometric view of the food container divider of FIG. 1, shown in an environment of use with an exemplary food container; FIG. 7 is an isometric view thereof, shown in an alternate position of use with an exemplary food container; FIG. 8 is an isometric view thereof, shown in an alternate position of use with an exemplary food container; and, FIG. 9 is an isometric view thereof, shown in an alternate position of use with an exemplary food container. The broken lines are shown for the purpose of illustrating environmental subject matter of an exemplary food container and form no part of the claimed design.

1 Claim, 7 Drawing Sheets



(58) **Field of Classification Search**

CPC B65D 77/067; B65D 5/00-02; B65D 5/0209-0272; B65D 5/029; B65D 5/72; B65D 5/541; B65D 5/705; B65D 5/706; B65D 5/727; B65D 5/4204; B65D 1/00; B65D 1/02; B65D 1/0233; B65D 1/22; B65D 1/32; B65D 1/36; B65D 1/40; B65D 1/225; B65D 23/00; B65D 23/12; B65D 23/14; B65D 2543/00296; B65D 15/08; B65D 65/22; A47L 13/00; A47L 13/10; A47L 13/12; A47L 13/16; A47L 13/17; A47L 13/18

See application file for complete search history.

(56) **References Cited**

U.S. PATENT DOCUMENTS

223,235 A * 1/1880 Lozier B65D 5/48038 217/31
 355,659 A * 1/1887 Peebles B65D 5/48038 229/120.36
 729,167 A * 5/1903 Henderson B65D 5/0254 229/152
 794,627 A * 7/1905 Klenk B65D 5/48038 217/31
 1,785,416 A * 12/1930 La Bombard B65D 5/48038 217/30
 1,975,127 A * 10/1934 Sherman B65D 5/48038 229/120.36
 1,978,719 A * 10/1934 Parnin B65D 5/48038 217/32
 1,984,609 A * 12/1934 Walker B65D 5/48032 229/120.03
 2,268,637 A * 1/1942 Bernstein B65D 5/48038 217/31
 D134,360 S * 11/1942 Galper D9/456
 2,382,240 A * 8/1945 Lawrence B65D 5/48038 206/418
 2,673,656 A * 3/1954 Cunningham B65D 5/48038 217/32
 2,706,935 A * 4/1955 Pasjack B65D 5/48038 493/91
 2,717,713 A * 9/1955 Wasyluka B65D 5/48032 217/31
 2,925,209 A * 2/1960 Wasyluka B65D 5/48032 229/120.25
 2,974,817 A * 3/1961 Simpson B65D 5/48038 217/31
 2,990,951 A * 7/1961 Fallert B65D 57/00 206/597

3,702,170 A * 11/1972 Adams B65D 5/48032 229/120.25
 3,749,299 A * 7/1973 Ingle B65D 5/18 229/120.34
 3,767,106 A * 10/1973 Morgan B65D 5/48038 229/120.36
 3,837,560 A * 9/1974 Kuchuris B26D 3/006 229/120.36
 D234,075 S * 1/1975 Clark D9/456
 3,901,962 A * 8/1975 Kuchuris B26D 3/006 264/154
 3,942,709 A * 3/1976 Gepfer B65D 5/48038 229/120.36
 4,000,845 A * 1/1977 Zeller B65D 5/48038 229/120.36
 4,067,492 A * 1/1978 Gargan B65D 5/48032 229/120.24
 4,148,428 A * 4/1979 Gardner B65D 5/48026 229/120.25
 4,187,975 A 2/1980 Shepherd
 4,591,090 A * 5/1986 Collins B65D 5/48038 217/32
 D298,413 S * 11/1988 Raudat D9/456
 4,917,429 A * 4/1990 Giger B60R 11/06 211/184
 5,332,149 A * 7/1994 Gepfer B65D 5/48038 229/120.36
 5,456,352 A 10/1995 McQueeny
 5,597,113 A * 1/1997 Bradford B29C 65/02 229/120.07
 5,626,284 A * 5/1997 Franzen B65D 5/48038 229/120.36
 5,788,146 A * 8/1998 Bradford B29C 65/02 229/120.07
 D455,954 S * 4/2002 Dittmar D9/415
 7,410,094 B2 * 8/2008 Bos B65D 5/48038 220/529
 D590,215 S * 4/2009 Carrell D7/672
 7,624,557 B2 * 12/2009 Campbell B23P 19/00 493/91
 D613,164 S * 4/2010 Lee D9/456
 9,096,349 B2 8/2015 Youell et al.
 D808,806 S * 1/2018 Campbell D9/456
 D813,419 S * 3/2018 Ollila D25/119
 2006/0086779 A1 * 4/2006 Meyer B65D 5/48038 229/120.32
 2006/0243784 A1 * 11/2006 Glaser B65D 5/4608 229/117.16
 2007/0095883 A1 * 5/2007 Boehm B65D 5/48038 229/120.36
 2007/0256296 A1 * 11/2007 Campbell B23P 19/00 29/739
 2019/0112094 A1 * 4/2019 Dwork B65D 5/48038

* cited by examiner

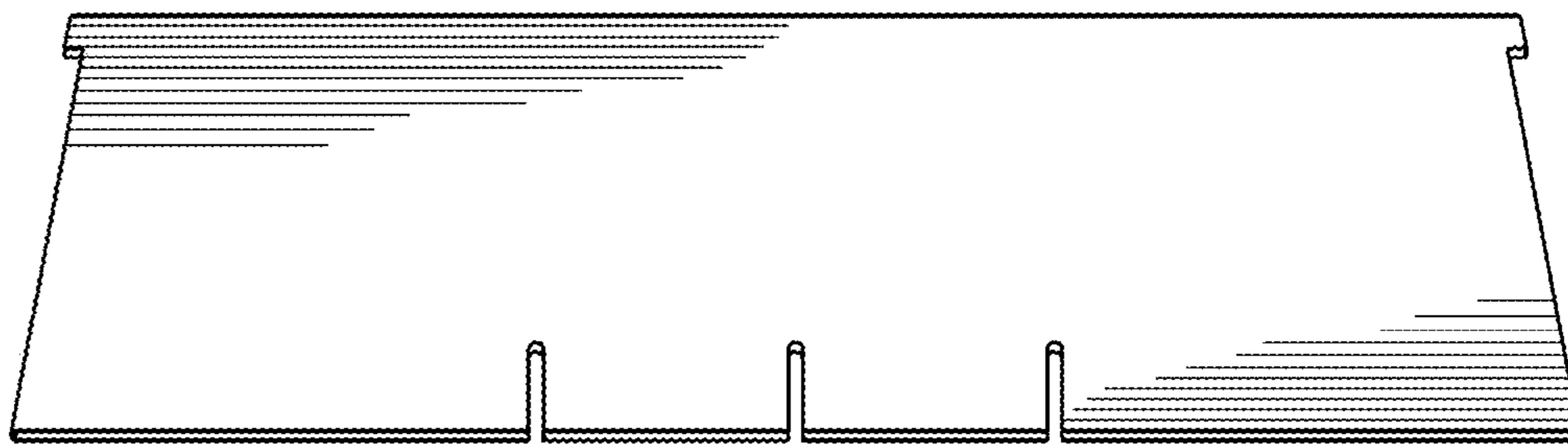


FIG. 1

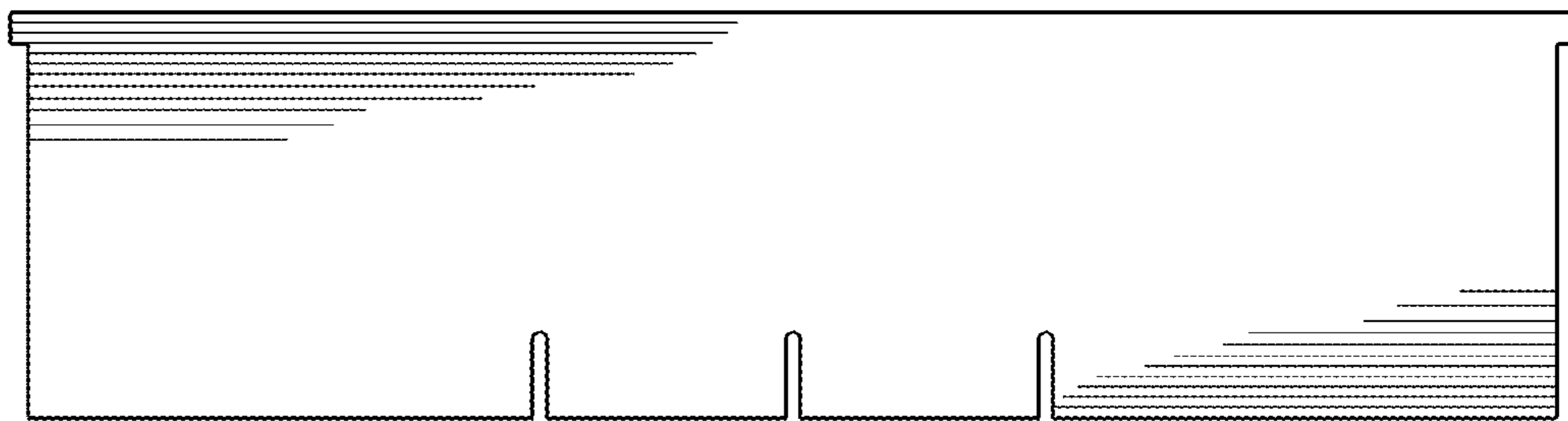


FIG. 2



FIG. 3

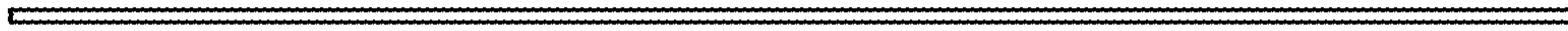


FIG. 4



FIG. 5

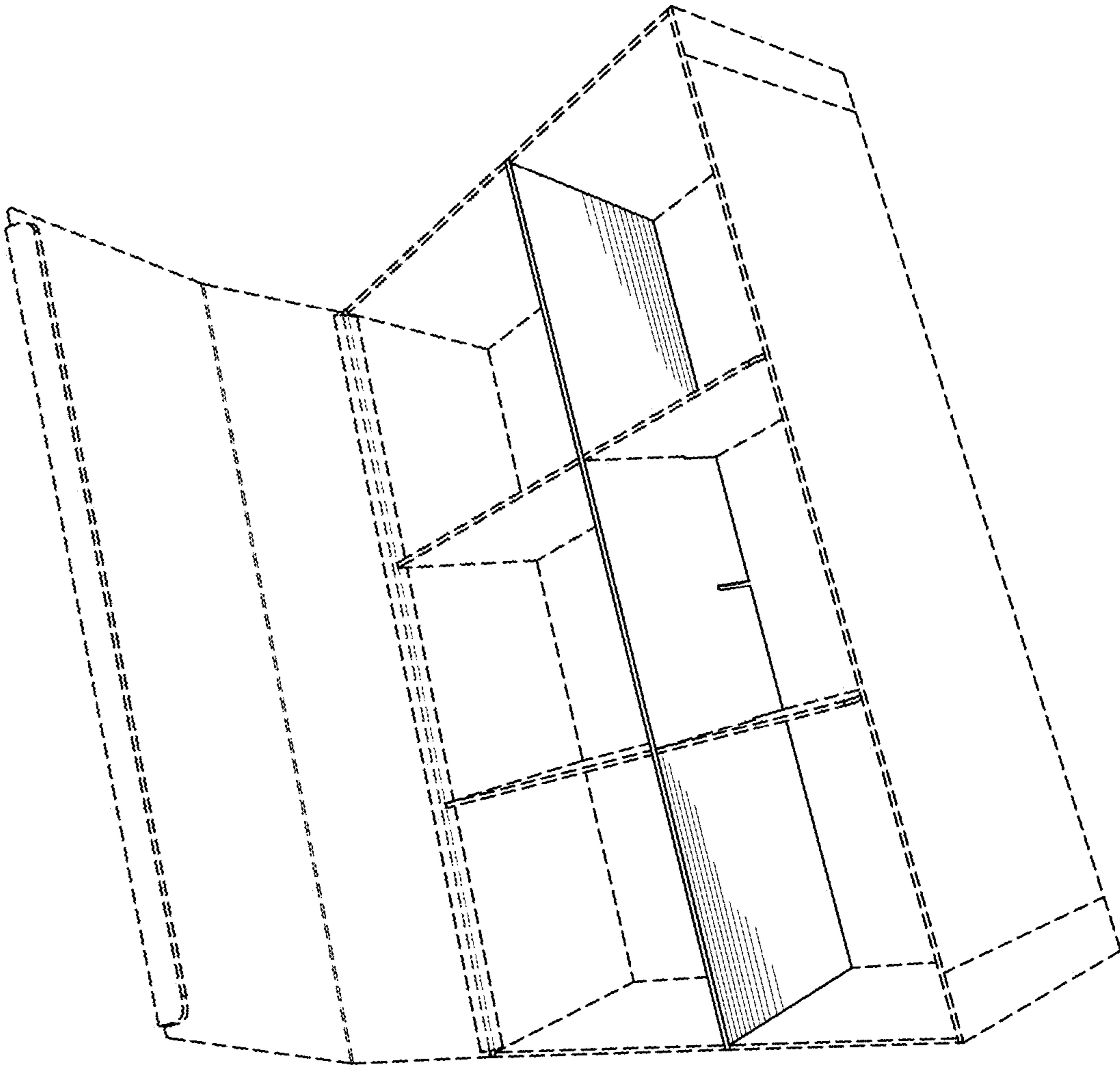


FIG. 6

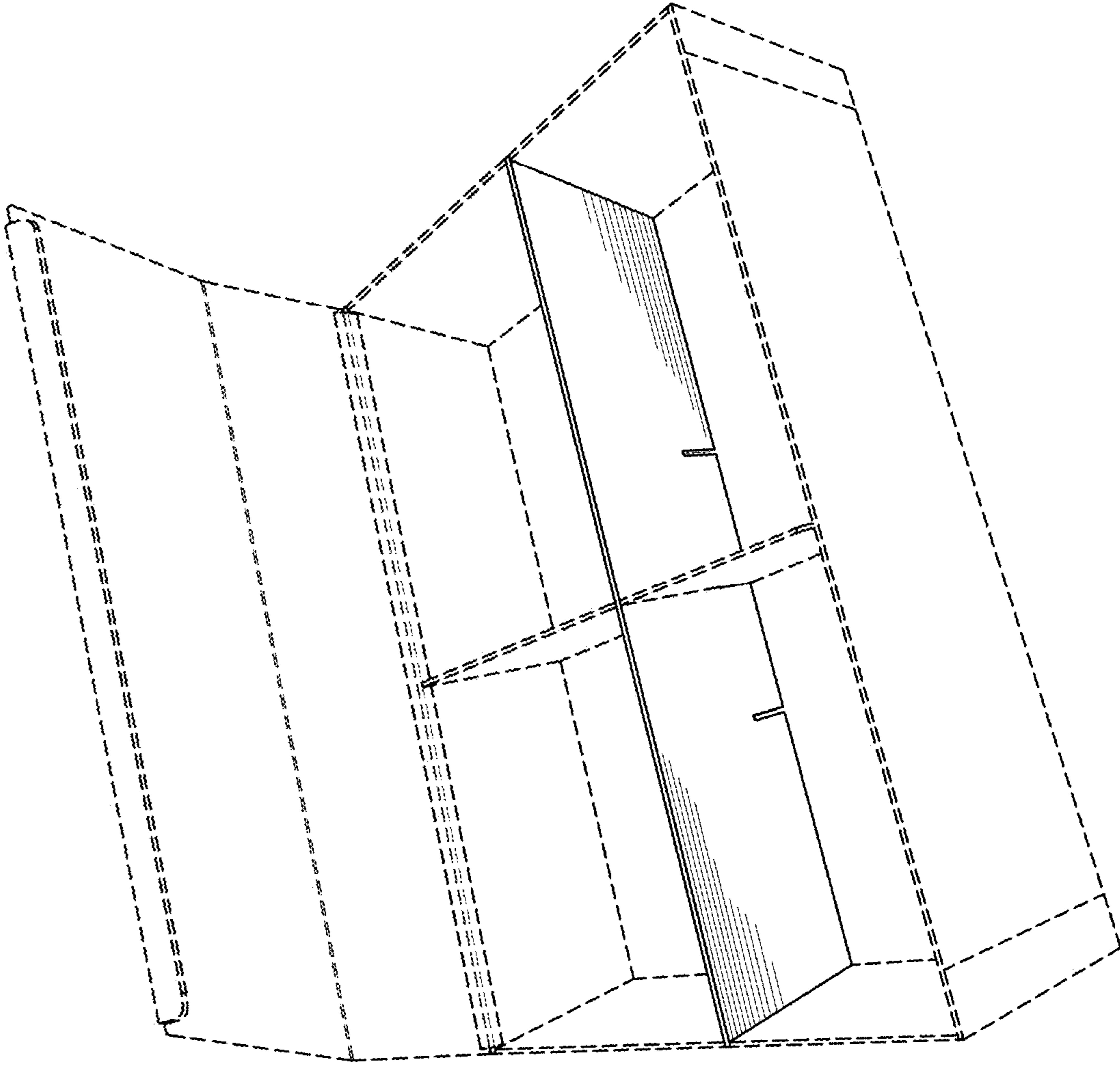


FIG. 7

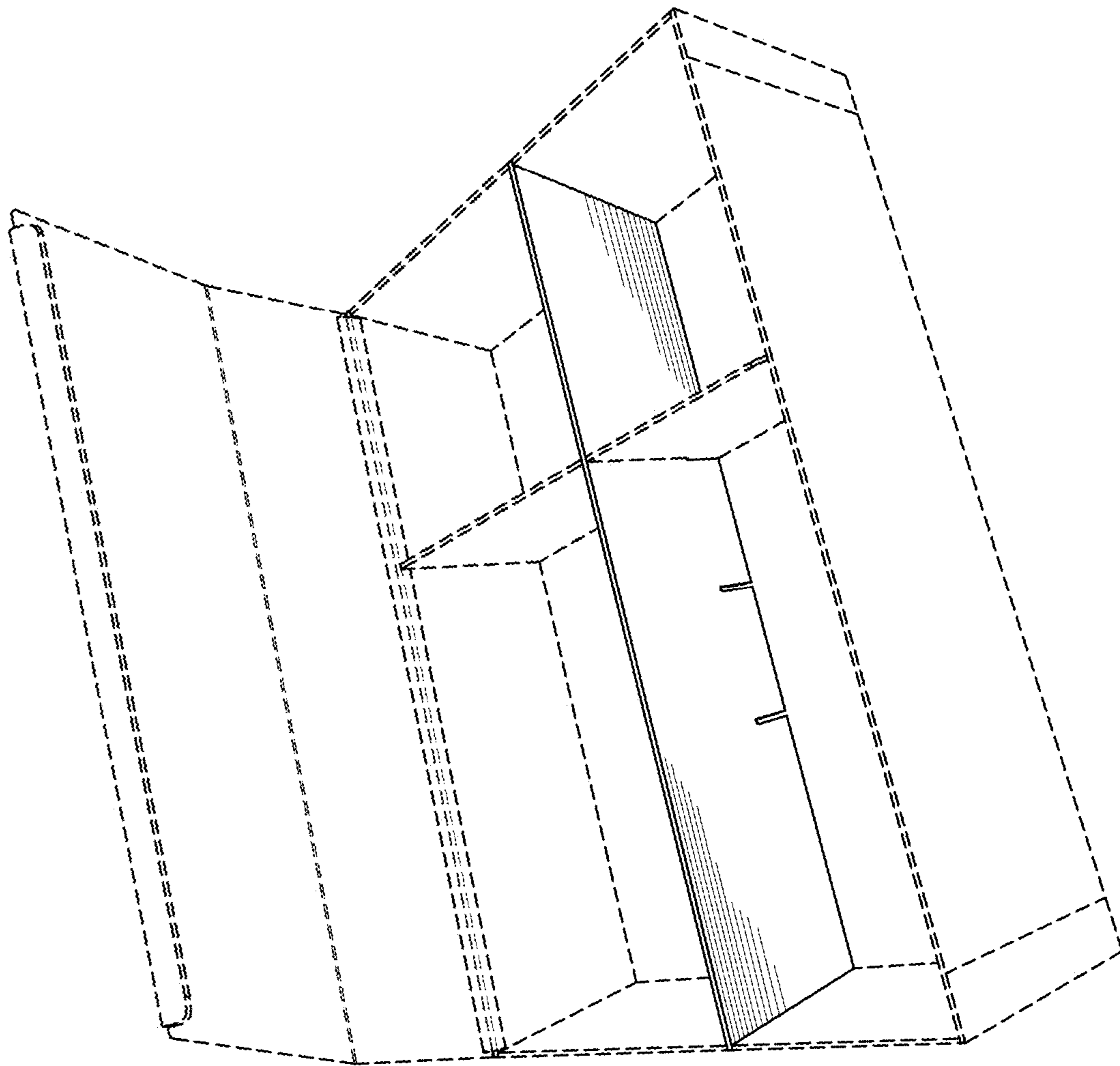


FIG. 8

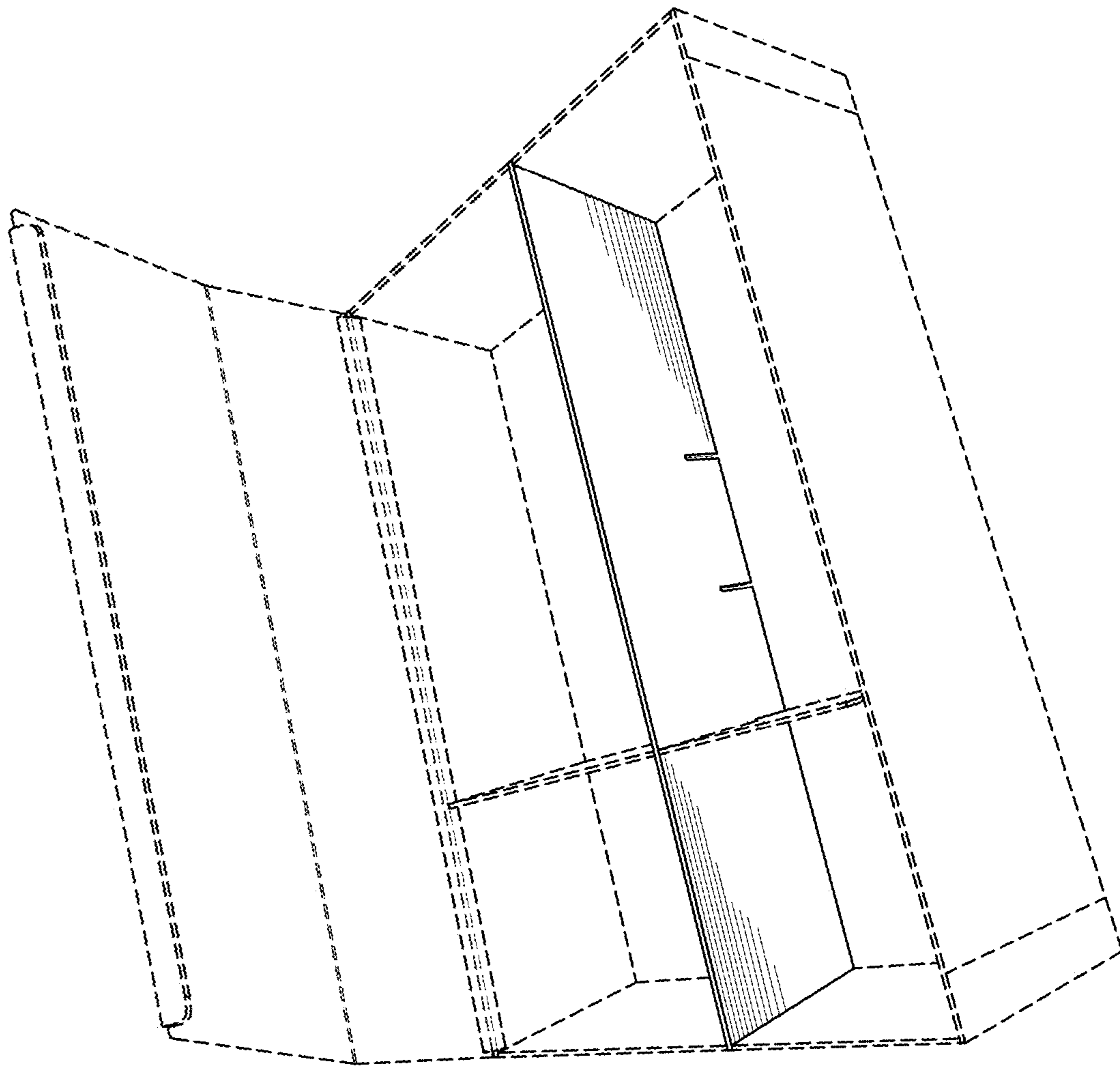


FIG. 9