



US00D903493S

(12) **United States Design Patent**
Tian

(10) **Patent No.:** **US D903,493 S**

(45) **Date of Patent:** **** Dec. 1, 2020**

(54) **CONTAINER CAP**

(71) Applicant: **VitroDx, Inc.**, Fremont, CA (US)

(72) Inventor: **Yunqi Tian**, Fremont, CA (US)

(73) Assignee: **VitroDx, Inc.**, Fremont, CA (US)

(**) Term: **15 Years**

(21) Appl. No.: **29/670,588**

(22) Filed: **Nov. 16, 2018**

(51) **LOC (12) Cl.** **09-07**

(52) **U.S. Cl.**
USPC **D9/453**

(58) **Field of Classification Search**
USPC D7/387, 392.1, 396.2; D9/434–436, 440,
D9/443–445, 447, 449, 450, 499,
D9/452–454
CPC B65D 47/36; B65D 47/043; B65D 47/106;
B65D 41/3438

See application file for complete search history.

(56) **References Cited**

U.S. PATENT DOCUMENTS

D84,966 S *	8/1931	Weisenburg	D9/453
D95,675 S *	5/1935	Fuerst	D9/453
D96,766 S *	9/1935	Kronman	D9/453
D105,858 S *	8/1937	Fleisch	D9/453
D136,439 S *	10/1943	Tatro	D9/453
D136,440 S *	10/1943	Tatro	D9/453

D136,441 S *	10/1943	Tatro	D9/453
D266,906 S *	11/1982	Guerette	D9/453
D291,868 S *	9/1987	Hindle	D9/453
D542,654 S *	5/2007	Szczesniak	D9/452
D542,655 S *	5/2007	Szczesniak	D9/453
D544,348 S *	6/2007	Szczesniak	D9/452
D574,240 S *	8/2008	Szczesniak	D9/453
D583,236 S *	12/2008	Fuchs	D9/453
D637,906 S *	5/2011	Rigling	D9/446
D647,800 S *	11/2011	Rigling	D9/446
D846,987 S *	4/2019	Neputy	D9/453

* cited by examiner

Primary Examiner — Darcey E Gottschalk

(74) *Attorney, Agent, or Firm* — Morrison & Foerster LLP

(57) **CLAIM**

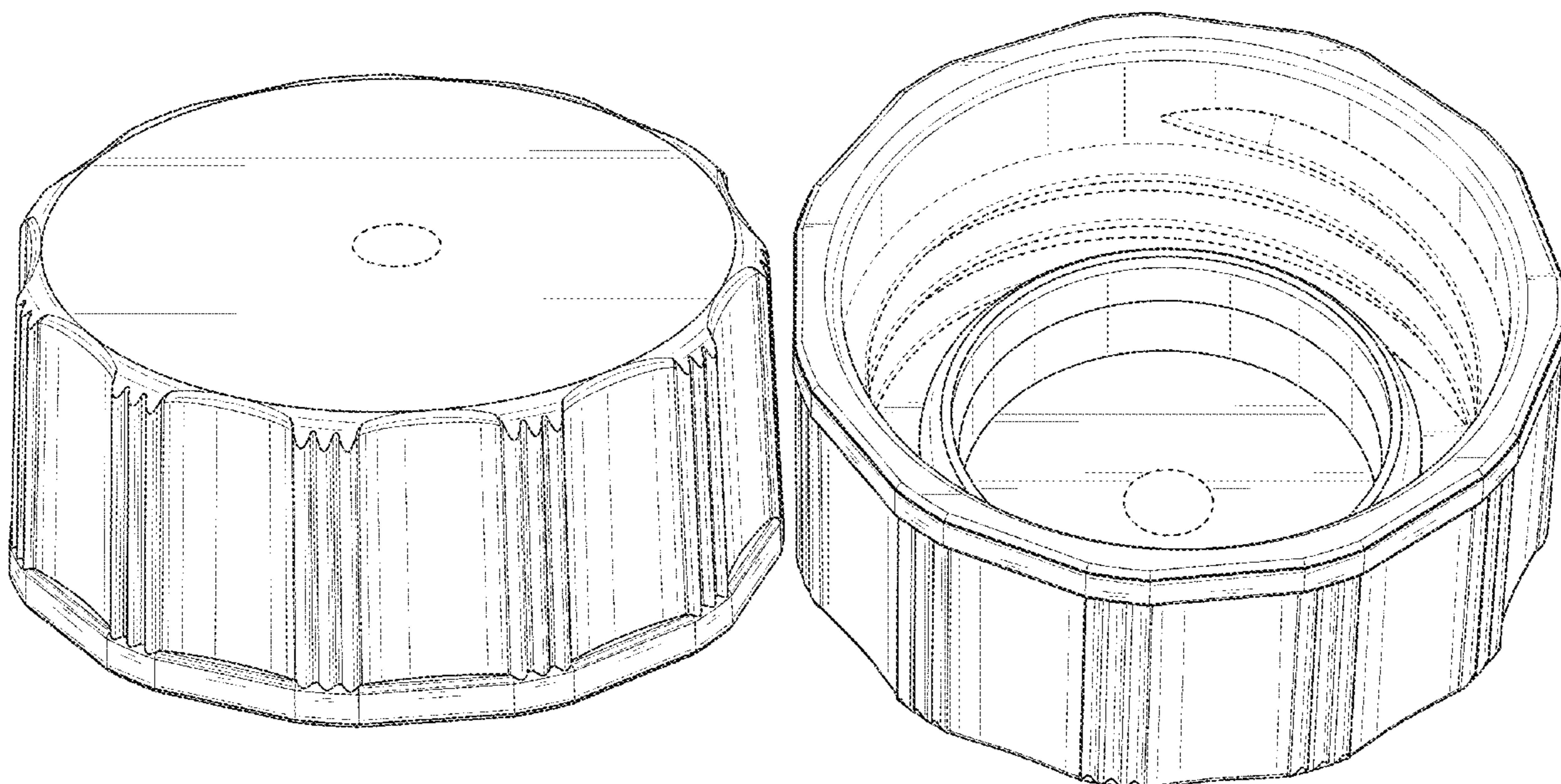
The ornamental design for a container cap, as shown and described.

DESCRIPTION

FIG. 1 is a top perspective view of a container cap showing my new design;
FIG. 2 is a right side view of the container cap of FIG. 1;
FIG. 3 is a left side view of the container cap of FIG. 1;
FIG. 4 is a top view of the container cap of FIG. 1;
FIG. 5 is a bottom view of the container cap of FIG. 1; and,
FIG. 6 is a bottom perspective view of the container cap of FIG. 1.

The broken lines illustrating portions of the container form no part of the claimed design.

1 Claim, 5 Drawing Sheets



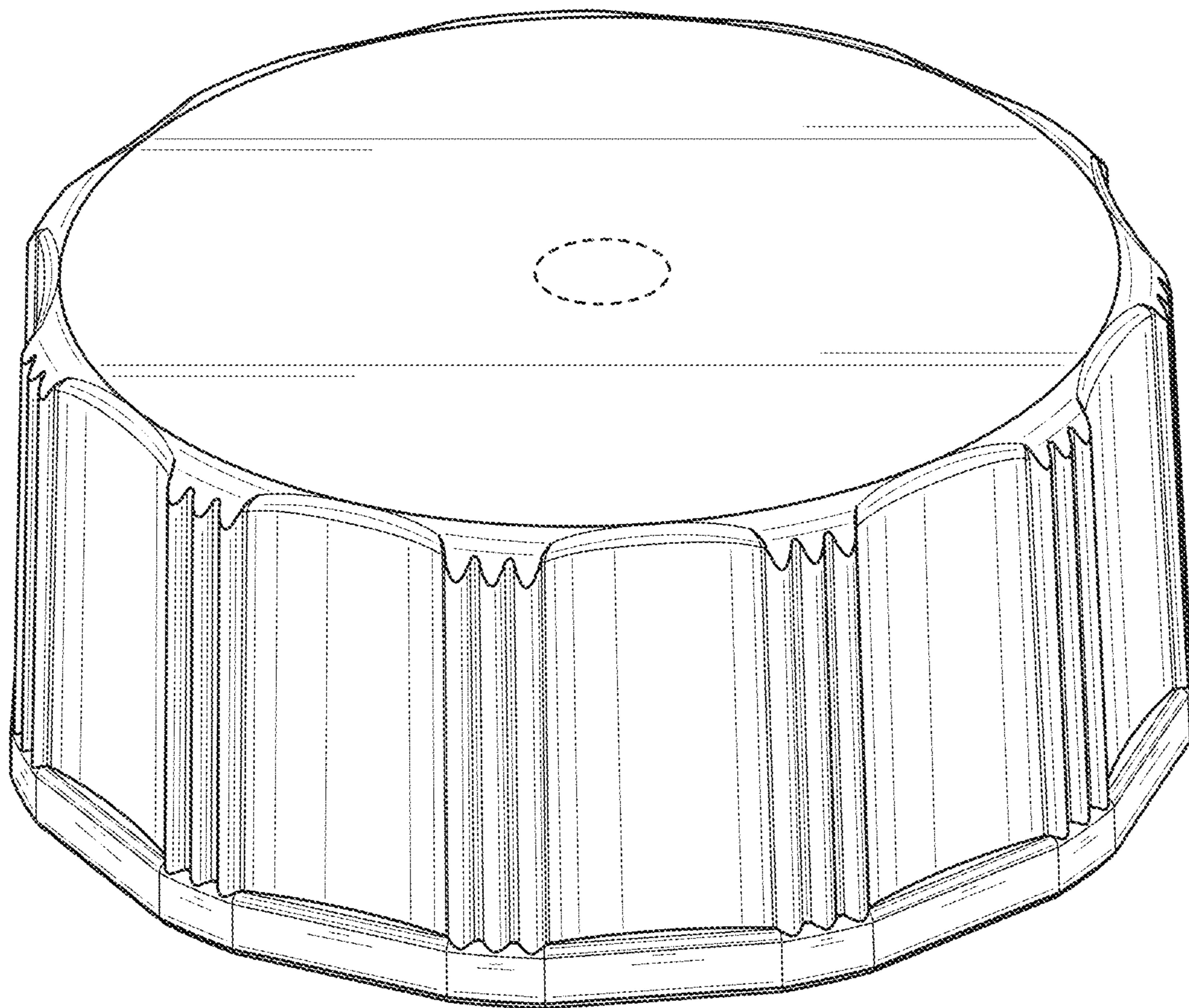


FIG. 1

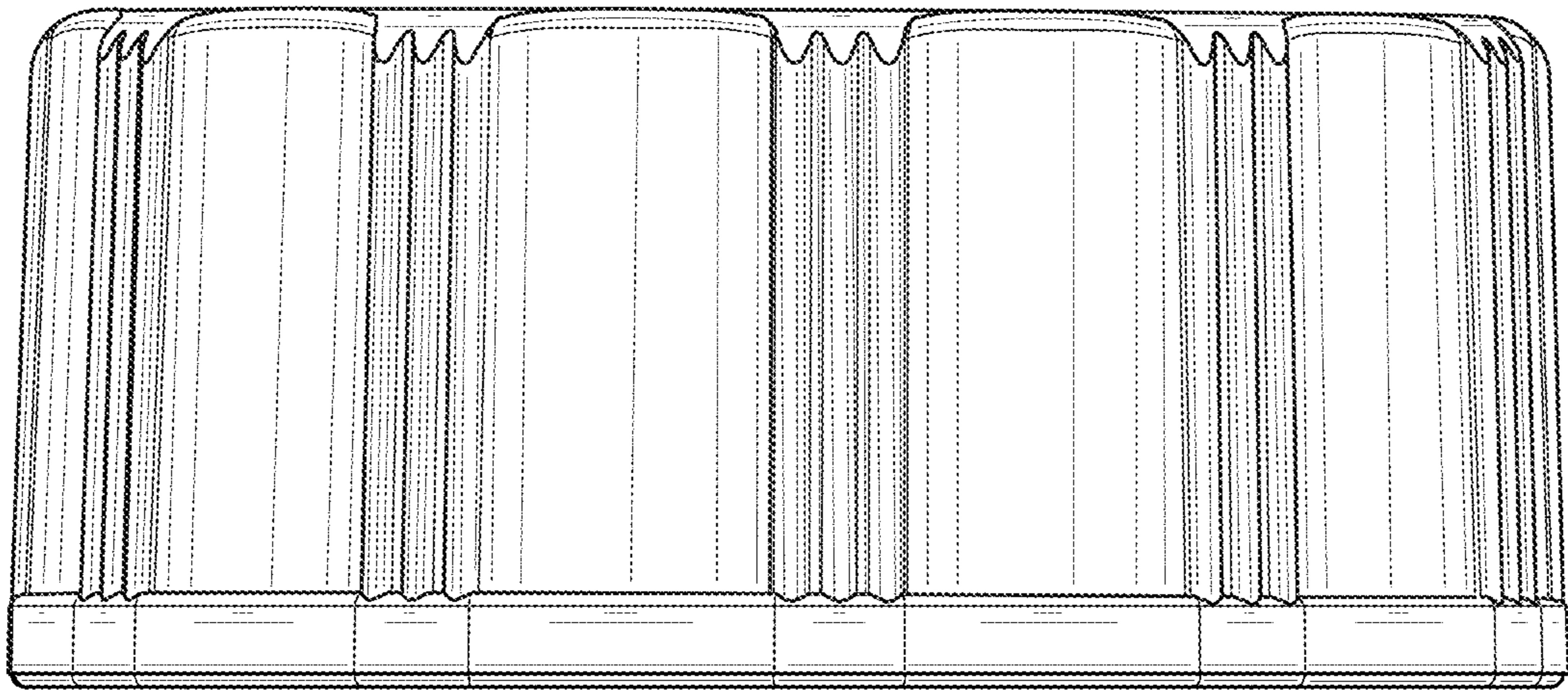


FIG. 2

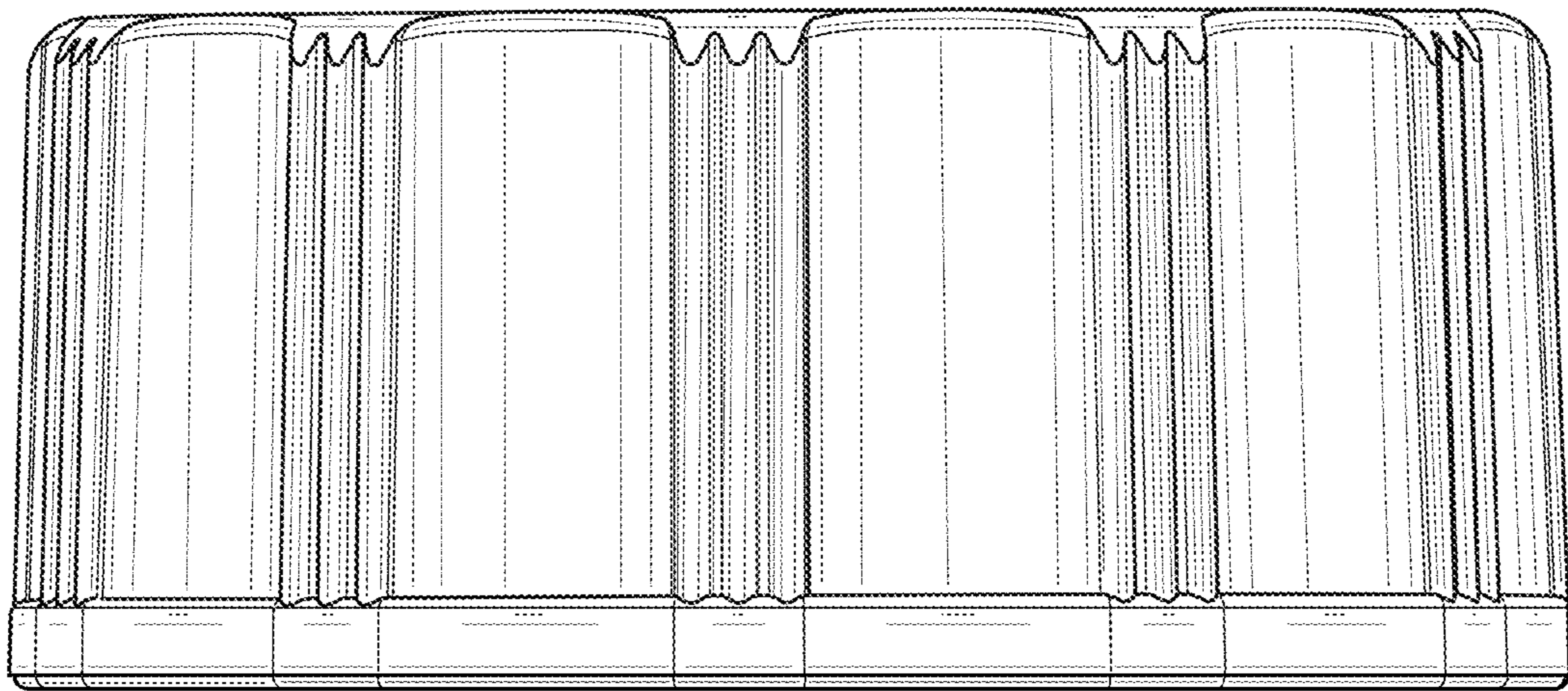


FIG. 3

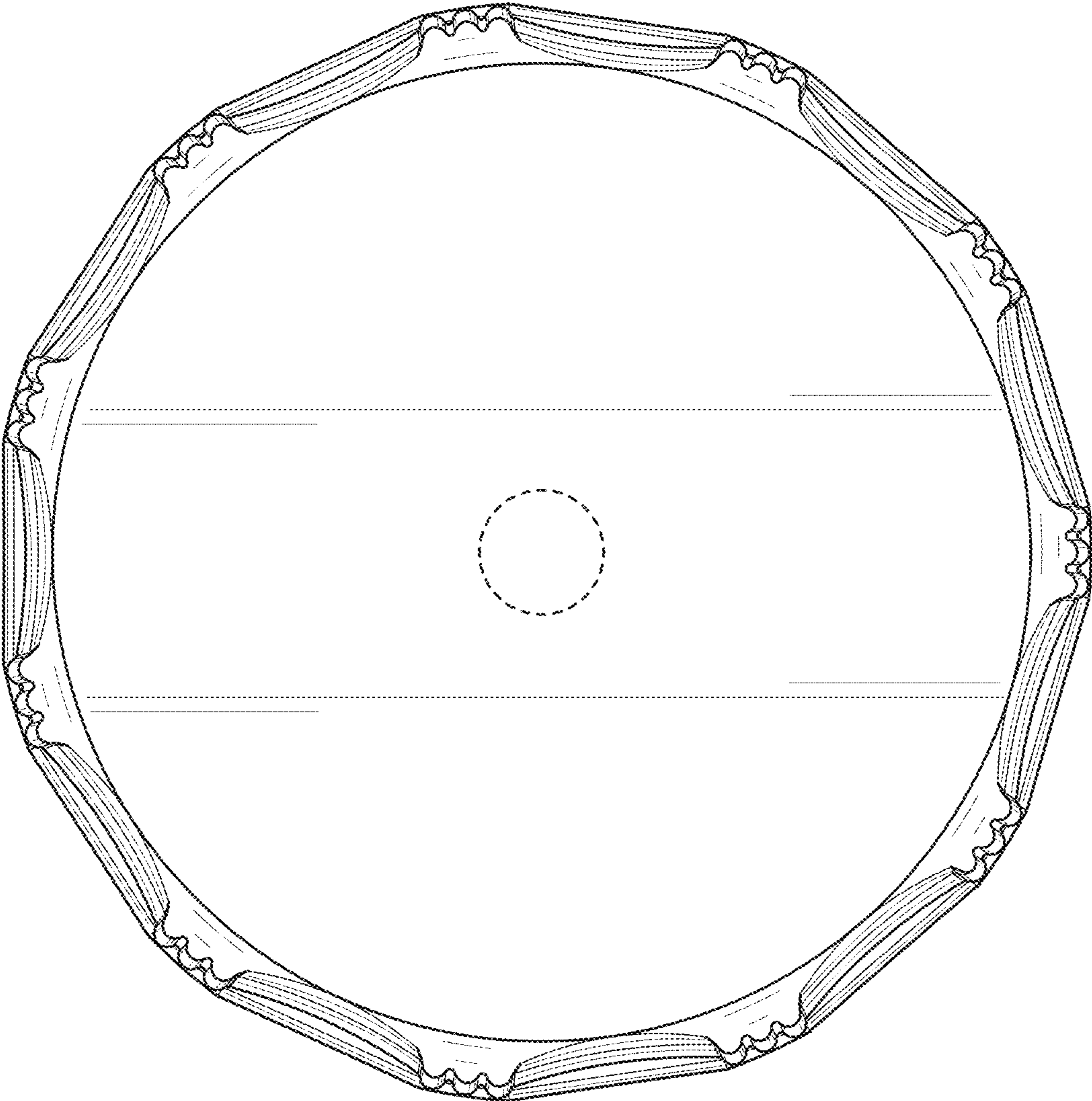


FIG. 4

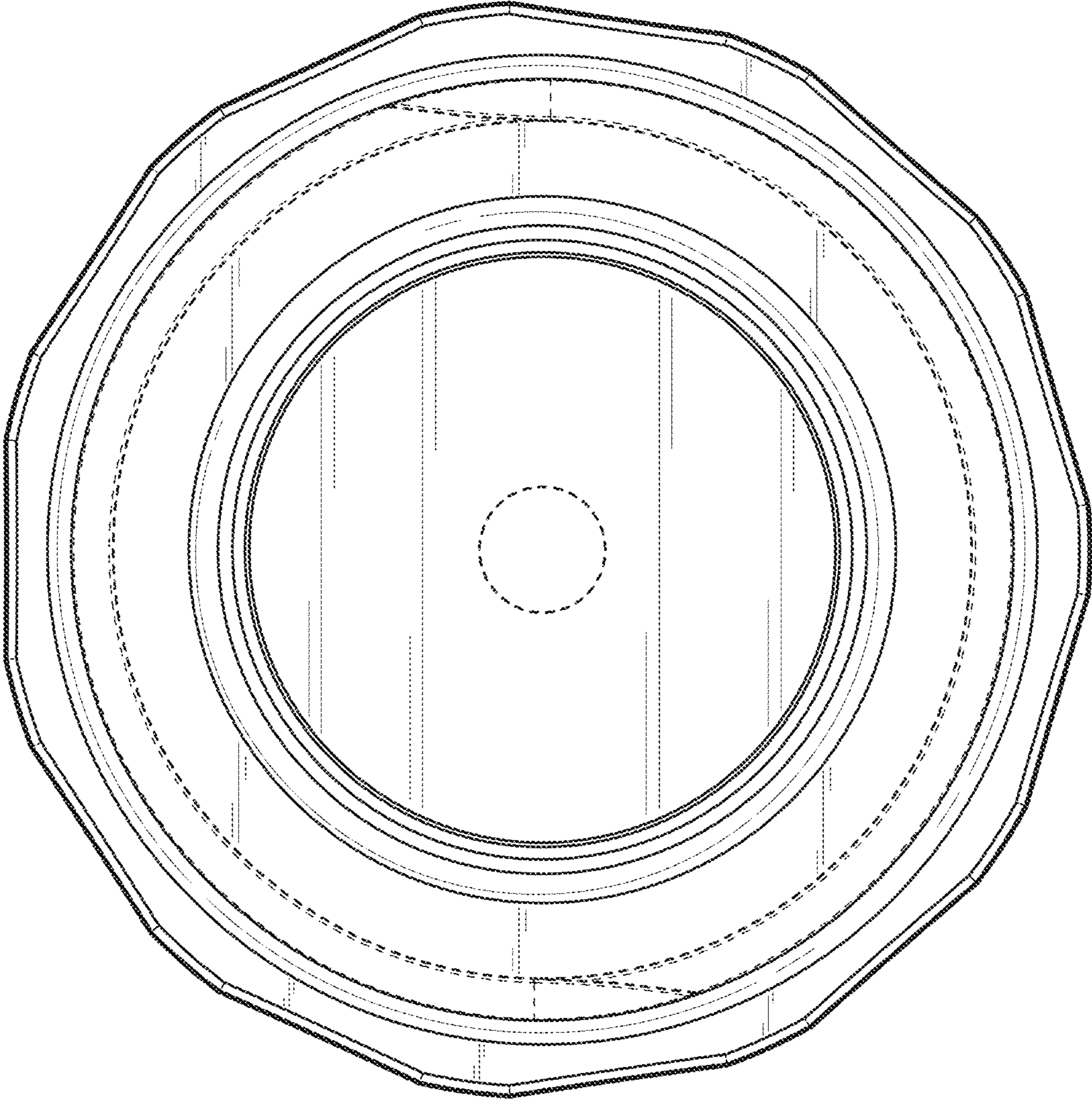


FIG. 5

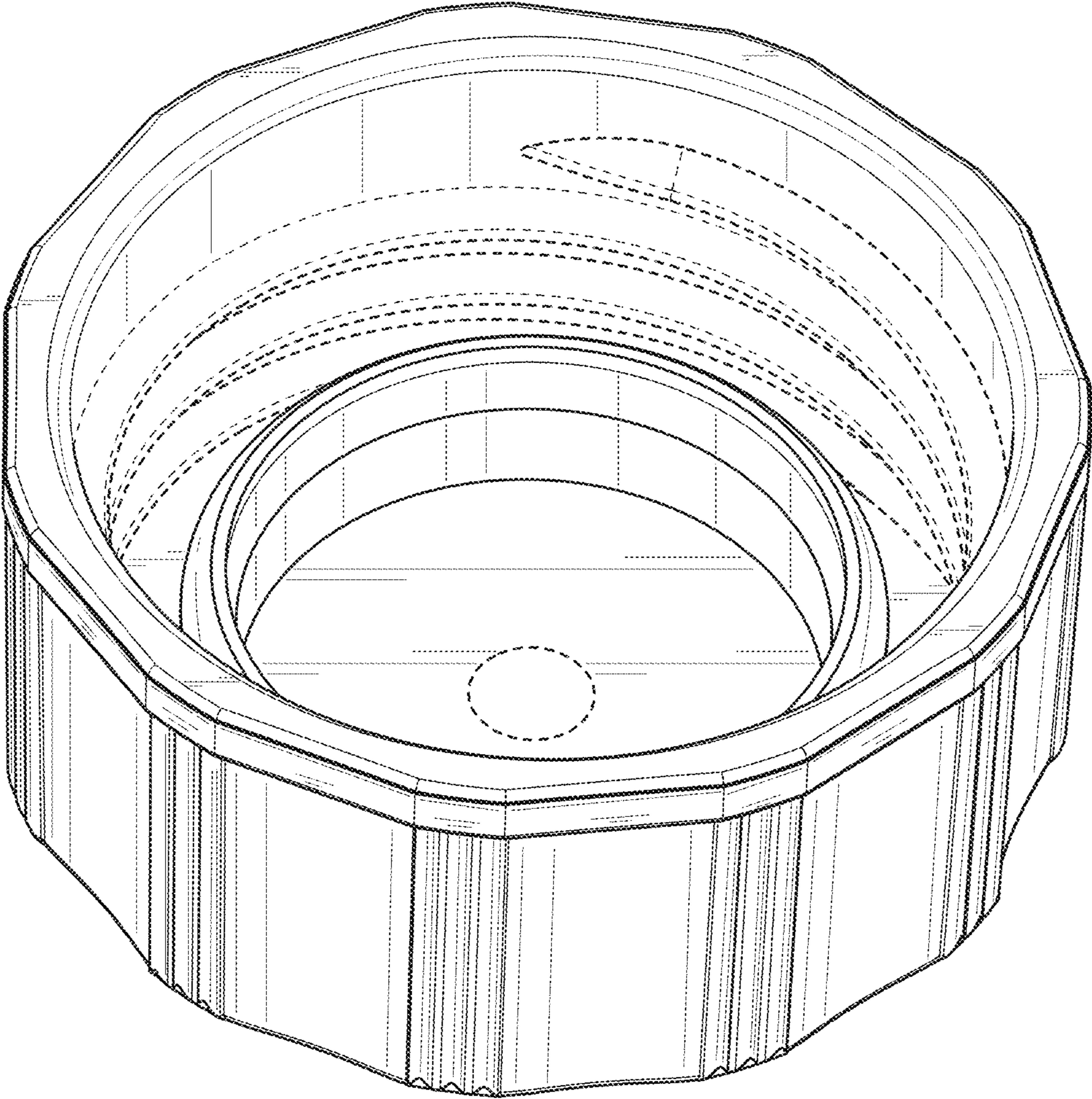


FIG. 6