



US00D903491S

(12) **United States Design Patent**  
**Belfour**

(10) **Patent No.:** **US D903,491 S**

(45) **Date of Patent:** **\*\* Dec. 1, 2020**

(54) **CORK STOPPER**

(71) Applicant: **Belfour Spirits, LLC**, Dallas, TX (US)

(72) Inventor: **Edward John Belfour**, McKinney, TX (US)

(\*\*) Term: **15 Years**

(21) Appl. No.: **29/709,780**

(22) Filed: **Oct. 17, 2019**

(51) **LOC (12) Cl.** ..... **09-07**

(52) **U.S. Cl.**  
USPC ..... **D9/441**

(58) **Field of Classification Search**  
USPC ..... D9/600, 500-505, 516, 521, 544-546, D9/434-454; 206/457, 494, 459.5, 527, 206/540; 229/116.1; 215/381-384, 400; D7/514-520, 539, 544, 571, 594, 599, D7/604, 613, 619.2, 623, 625, 628-630, D7/391-392.1, 396.2; D3/270-271.8  
CPC ..... B65D 67/00; B65D 81/36; B65D 81/60; B65D 81/368; B65D 37/00; B65D 5/42; B65D 5/4208; B65D 77/00; A63H 33/10; A63H 33/16

See application file for complete search history.

(56) **References Cited**

**U.S. PATENT DOCUMENTS**

D45,632 S \* 4/1914 Head ..... D7/515  
D123,101 S \* 10/1940 Illsche ..... D9/439

D411,954 S \* 7/1999 Williamson ..... D9/440  
D461,367 S \* 8/2002 Scott ..... D7/515  
D575,107 S \* 8/2008 Martin ..... D7/515  
D639,657 S \* 6/2011 Hoyt ..... D9/439  
D727,689 S \* 4/2015 Wampold ..... D7/625  
D765,468 S \* 9/2016 Yen ..... D7/392.1  
D801,748 S \* 11/2017 Sullivan ..... D9/440  
D817,716 S \* 5/2018 Dewey ..... D7/515

**OTHER PUBLICATIONS**

NHL Mini Stanley Cup, published Nov. 14, 2015. <https://www.thehockeyshop.com/products/nhl-mini-stanley-cup>.\*

\* cited by examiner

*Primary Examiner* — Sandra L Morris  
(74) *Attorney, Agent, or Firm* — The Sladkus Law Group

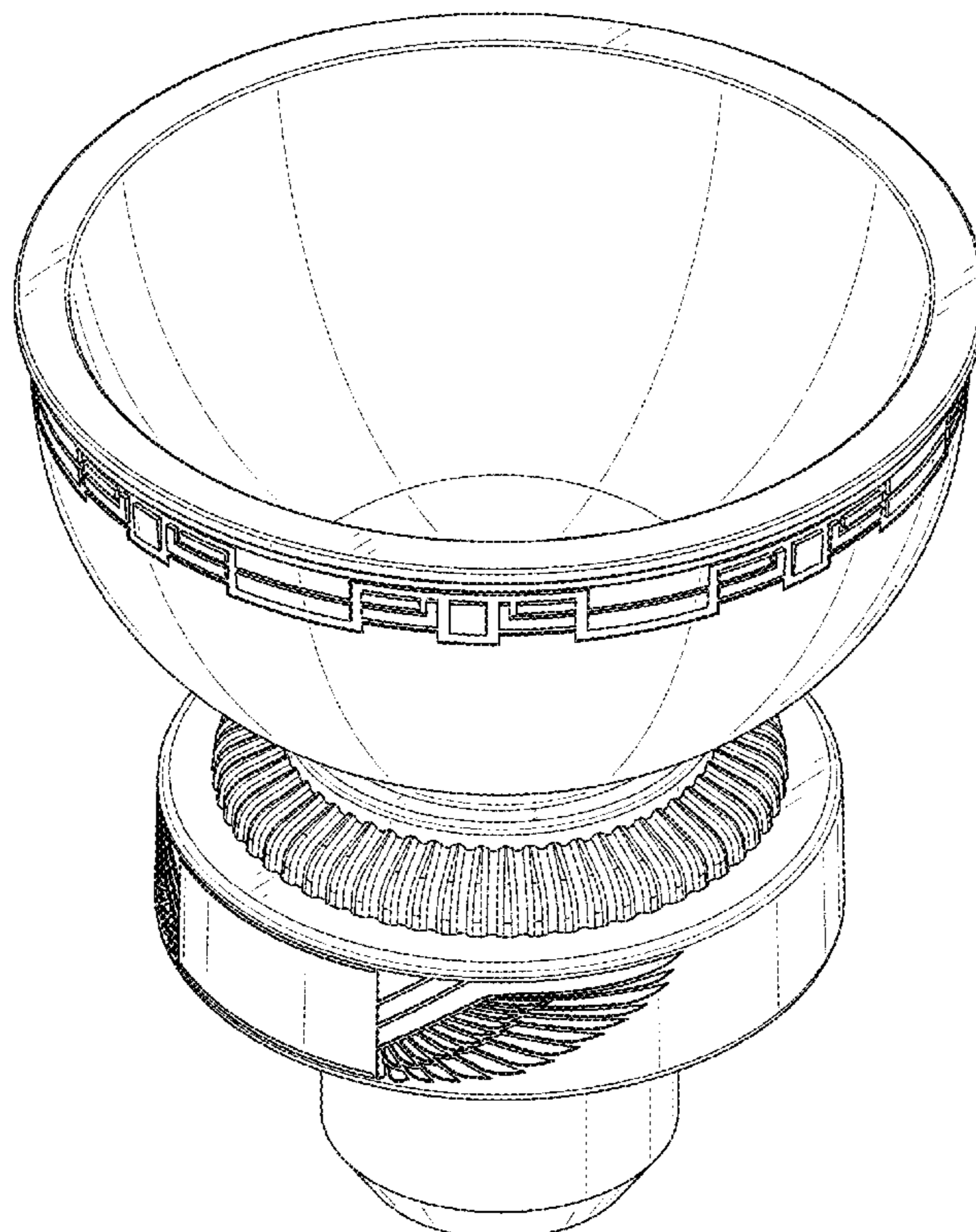
(57) **CLAIM**

The ornamental design for a cork stopper, as shown and described.

**DESCRIPTION**

FIG. 1 is a perspective view of one embodiment of a cork stopper of the present application;  
FIG. 2 is a front elevation view of the cork stopper of FIG. 1;  
FIG. 3 is a rear elevation view of the cork stopper of FIG. 1;  
FIG. 4 is a left side elevation view of the cork stopper of FIG. 1;  
FIG. 5 is a right side elevation view of the cork stopper of FIG. 1; and,  
FIG. 6 is a top view of the cork stopper of FIG. 1.

**1 Claim, 6 Drawing Sheets**



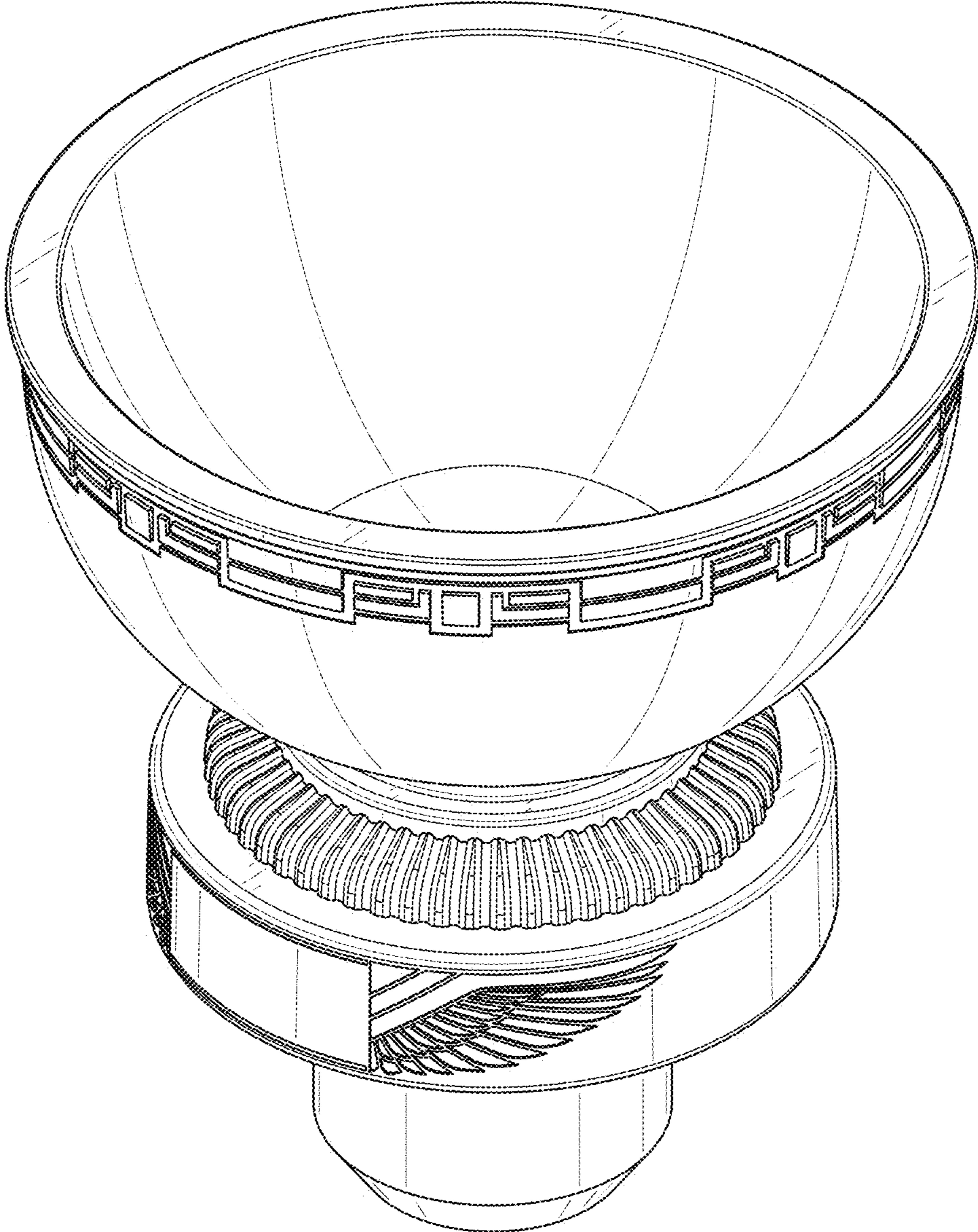


FIG. 1

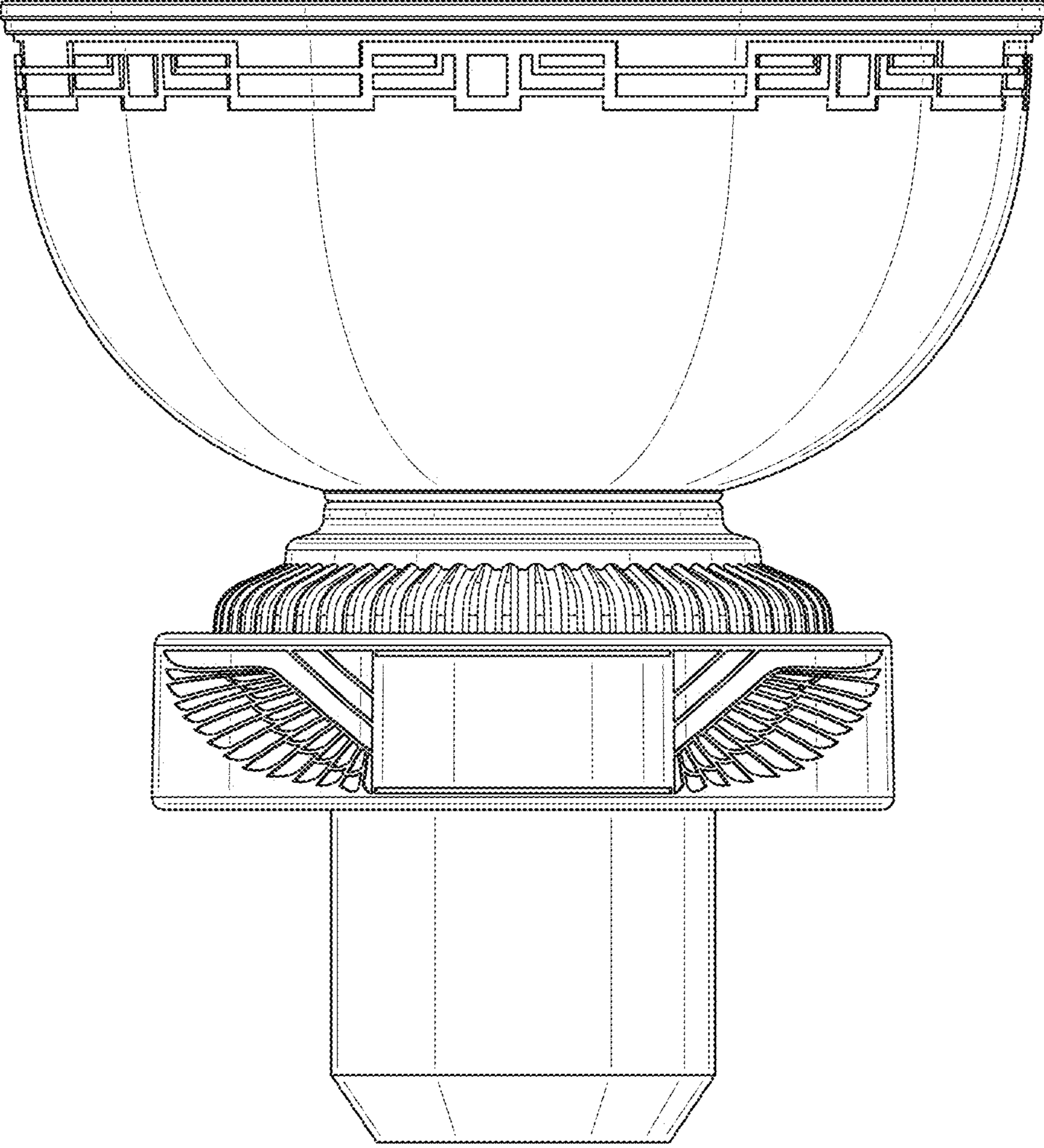


FIG. 2

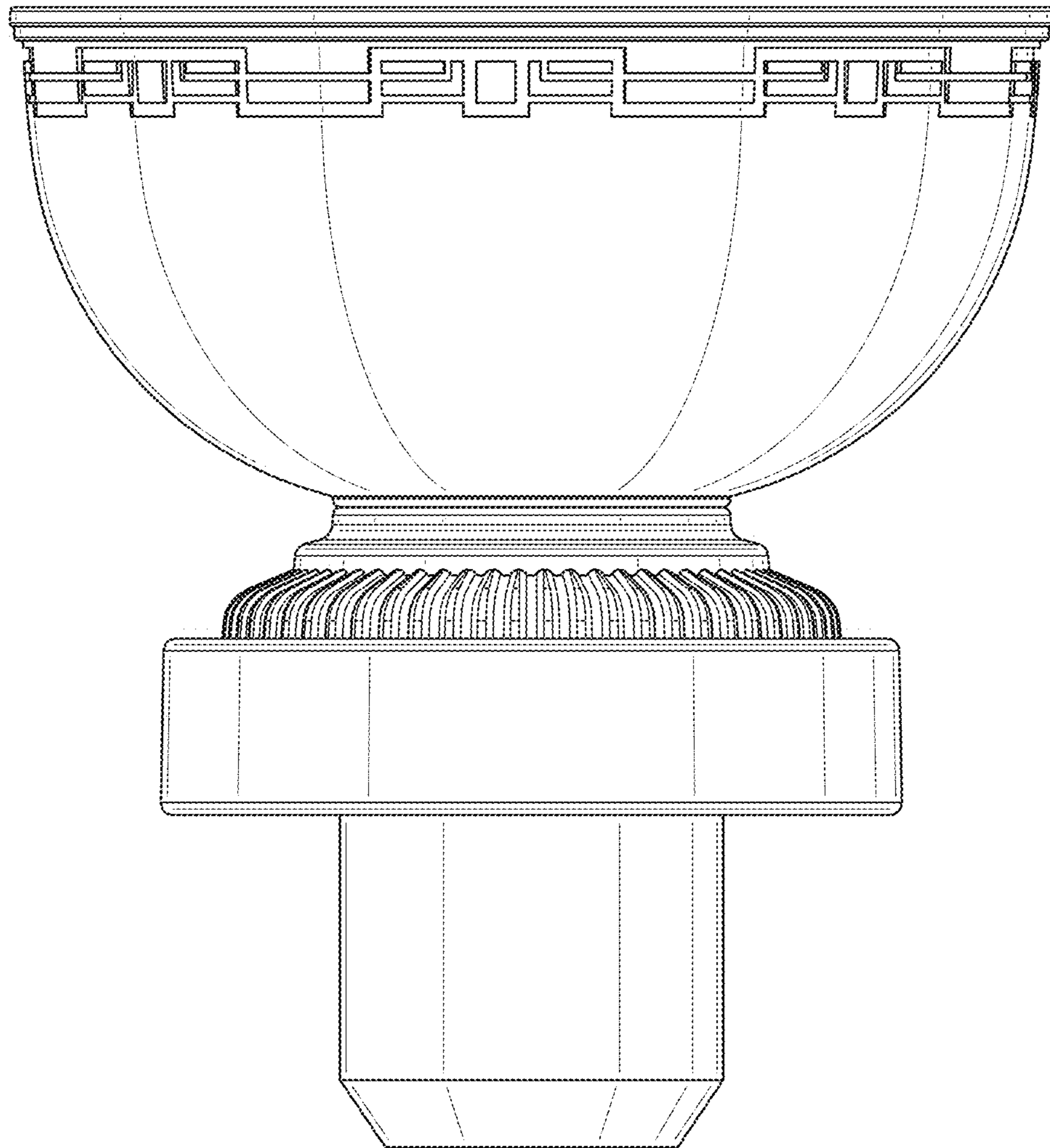


FIG. 3

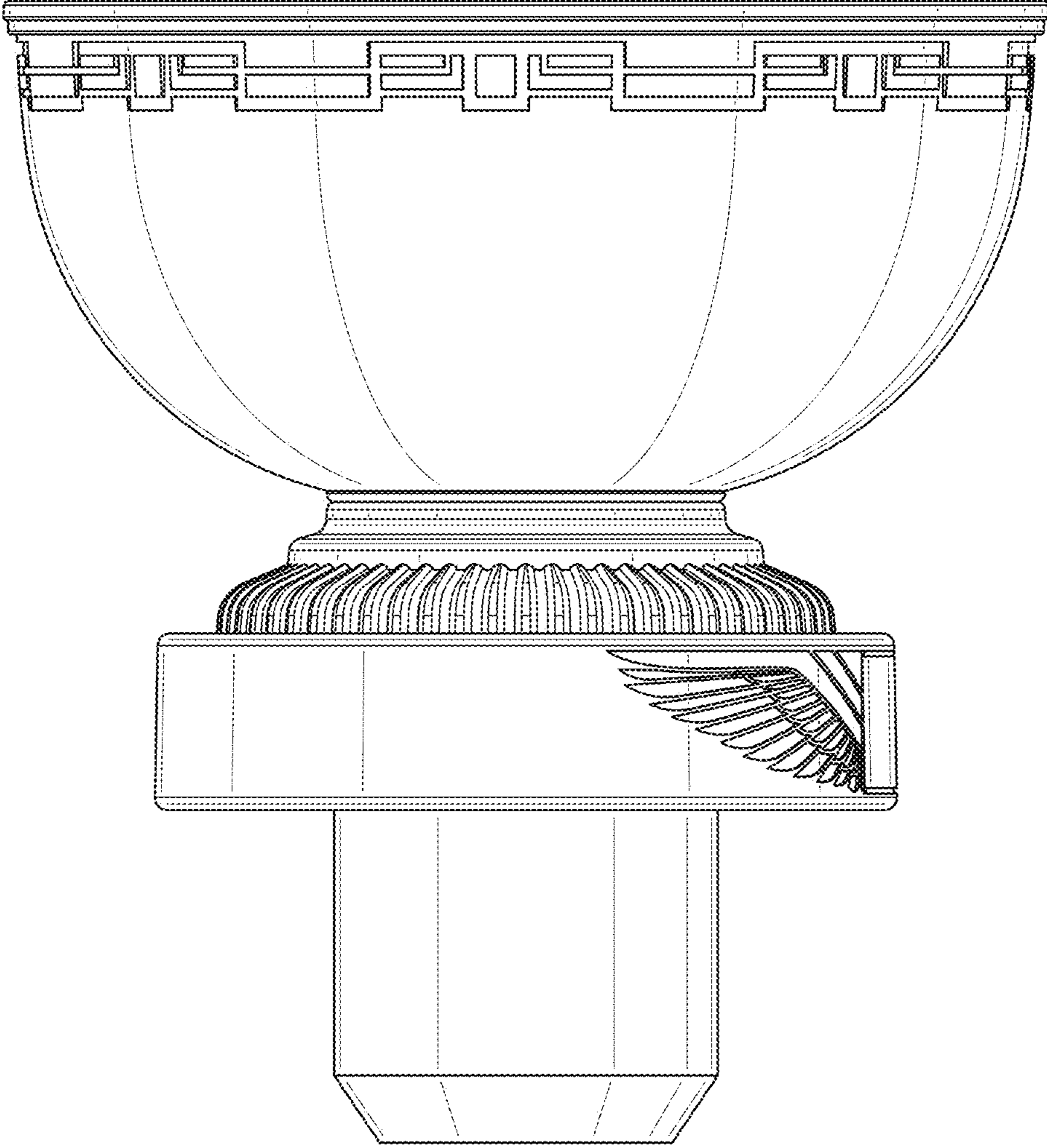


FIG. 4

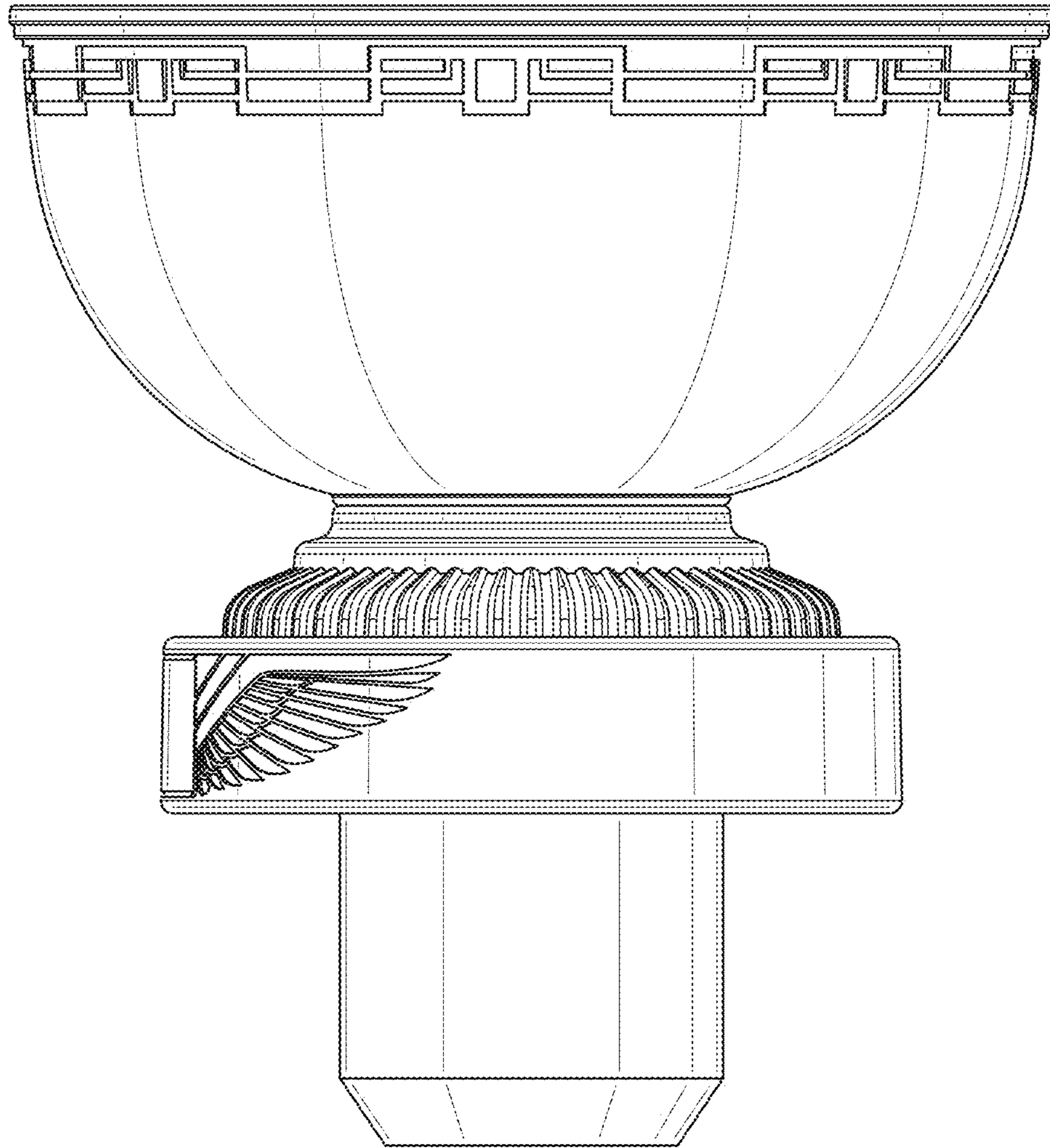


FIG. 5

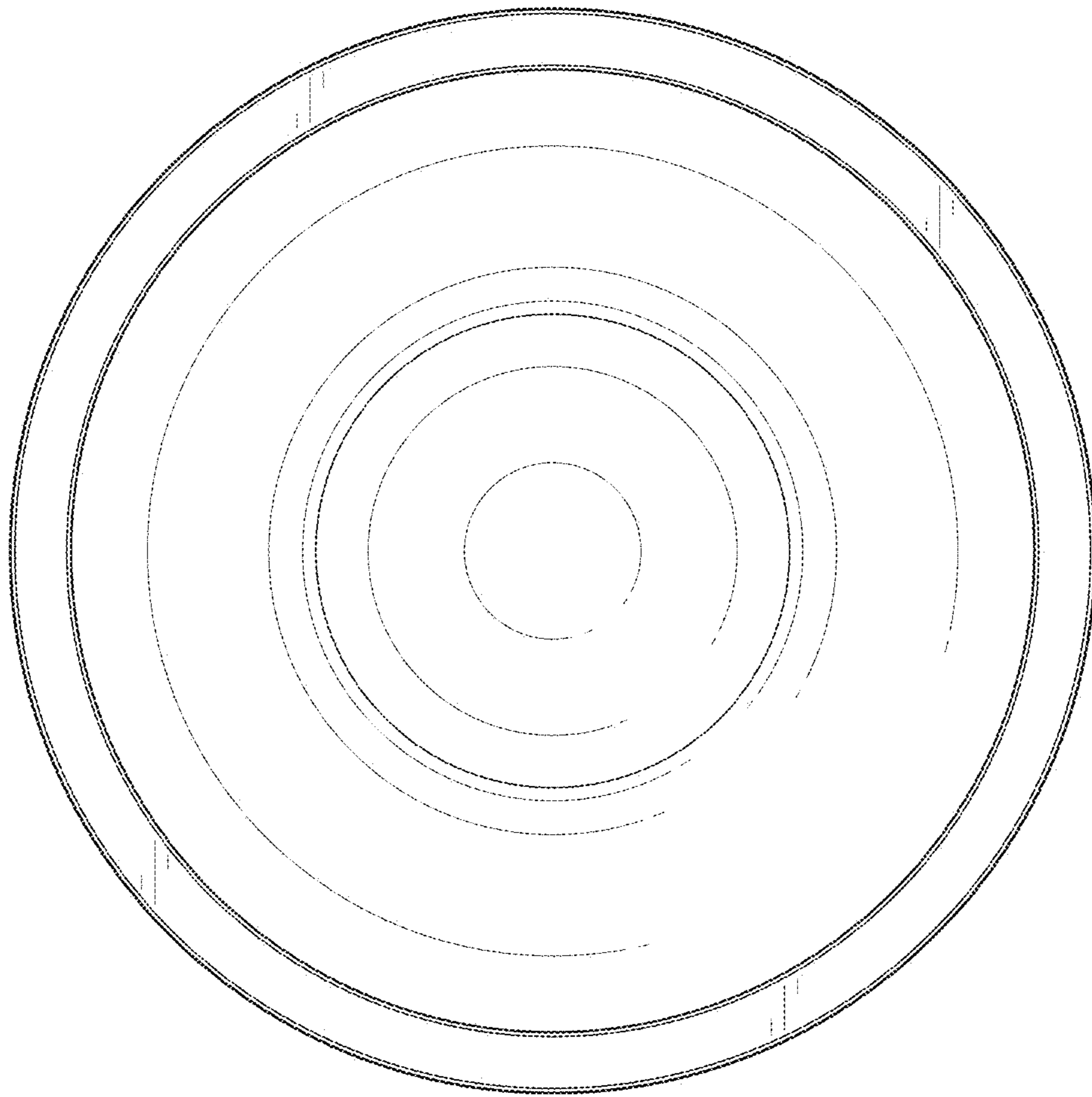


FIG. 6