



US00D903489S

(12) **United States Design Patent** (10) **Patent No.:** **US D903,489 S**
Hilsabeck (45) **Date of Patent:** **** Dec. 1, 2020**

(54) **CONTAINER FOR ABSORBENT ARTICLES**

D758,494 S * 6/2016 Slayton D20/22
D768,475 S 10/2016 Thompson et al.
D775,520 S 1/2017 Stephens
D830,165 S 10/2018 Thompson

(71) Applicant: **The Procter & Gamble Company**,
Cincinnati, OH (US)

(72) Inventor: **Lee Anne Hilsabeck**, Cincinnati, OH
(US)

(73) Assignee: **The Procter & Gamble Company**,
Cincinnati, OH (US)

(**) Term: **15 Years**

(21) Appl. No.: **29/670,205**

(22) Filed: **Nov. 14, 2018**

(51) **LOC (12) Cl.** **09-03**

(52) **U.S. Cl.**
USPC **D9/434; D9/432**

(58) **Field of Classification Search**
USPC D9/414-423, 424-429, 430-433, 434,
D9/456, 457, 711, 713, 721-722, 737,
D9/756, 758, 759, 760; D20/10, 22, 27,
D20/40, 42; D3/272-274, 290, 304, 305,
D3/315
CPC ... B65D 5/00; B65D 5/02; B65D 5/18; B65D
5/20

See application file for complete search history.

(56) **References Cited**

U.S. PATENT DOCUMENTS

2,112,879 A * 4/1938 Broderick B65D 5/02
206/110
D252,258 S * 7/1979 Roccaforte D9/418
4,582,199 A * 4/1986 Schuster B65D 5/46192
206/427
5,170,934 A * 12/1992 Lemoine B65D 5/46072
229/101
D432,414 S * 10/2000 Simpson D9/711
D666,245 S * 8/2012 Birdwell D20/27
D674,842 S * 1/2013 Birdwell D20/27
D679,758 S * 4/2013 Matt D20/40

OTHER PUBLICATIONS

Tampax Pearl Plastic Tampons. [online] Retrieved Nov. 15, 2019
from URL: https://www.amazon.com/Tampax-Plastic-Absorbency-Multipack-Unscented/dp/B077NHF3VW/ref=cm_cr_ar_p_d_product_top?ie=UTF8.
U.S. Appl. No. 29/586,665, filed Dec. 6, 2016, Jerry Ray Stephens.

* cited by examiner

Primary Examiner — Vy N Koenig

(74) *Attorney, Agent, or Firm* — William E. Gallagher

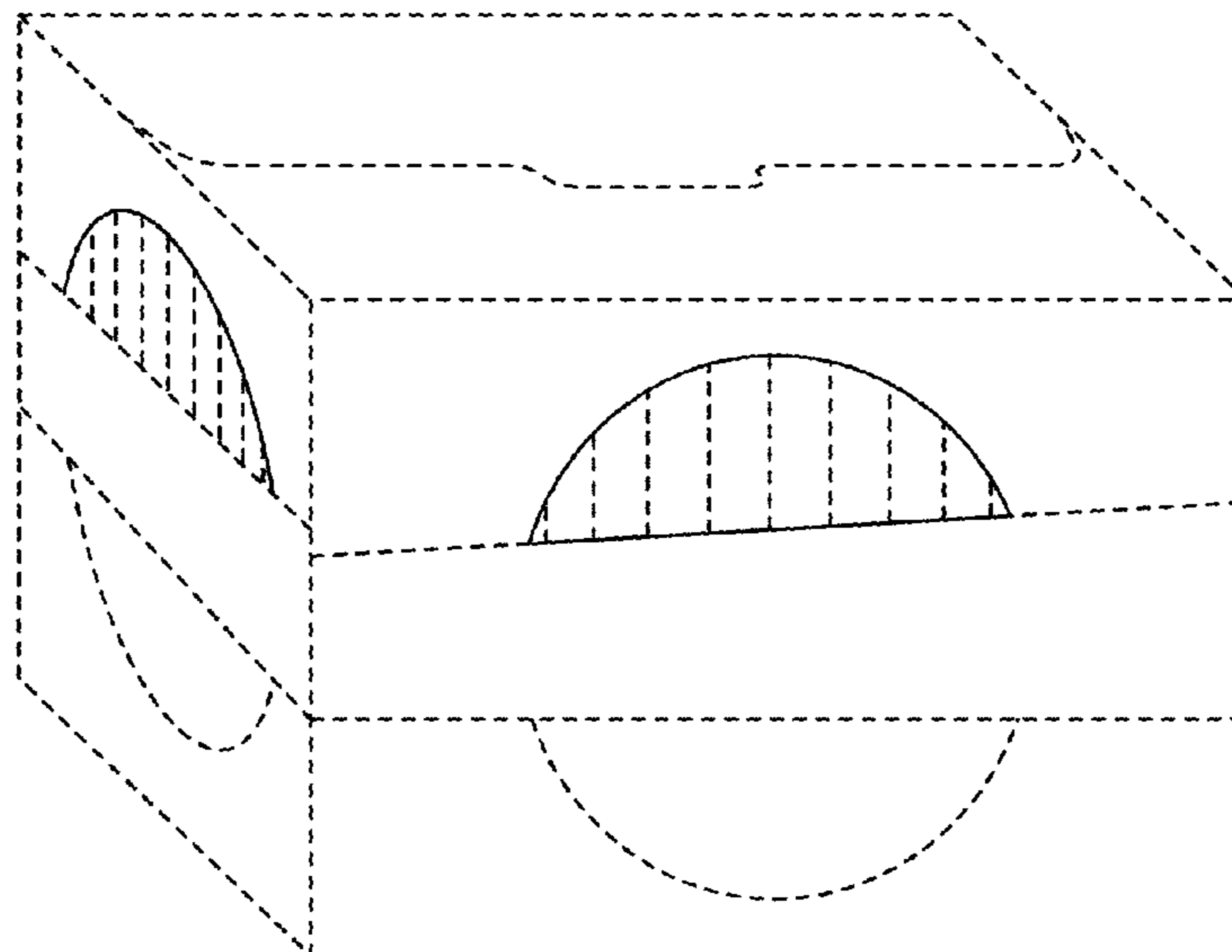
(57) **CLAIM**

The ornamental design for a container for absorbent articles,
as shown and described.

DESCRIPTION

FIG. 1 is a perspective front view of a first embodiment;
FIG. 2 is a front view of the first embodiment;
FIG. 3 is a rear view of the first embodiment;
FIG. 4 is first side view of the first embodiment;
FIG. 5 is a second side view of the first embodiment;
FIG. 6 is a top view of the first embodiment;
FIG. 7 is a bottom view of the first embodiment;
FIG. 8 is a perspective front view of a second embodiment;
FIG. 9 is a front view of the second embodiment;
FIG. 10 is a rear view of the second embodiment;
FIG. 11 is first side view of the second embodiment;
FIG. 12 is a second side view of the second embodiment;
FIG. 13 is a top view of the second embodiment; and,
FIG. 14 is a bottom view of the second embodiment.
In the drawings, the broken lines depict environmental
subject matter only and form no part of the claimed design.

1 Claim, 8 Drawing Sheets



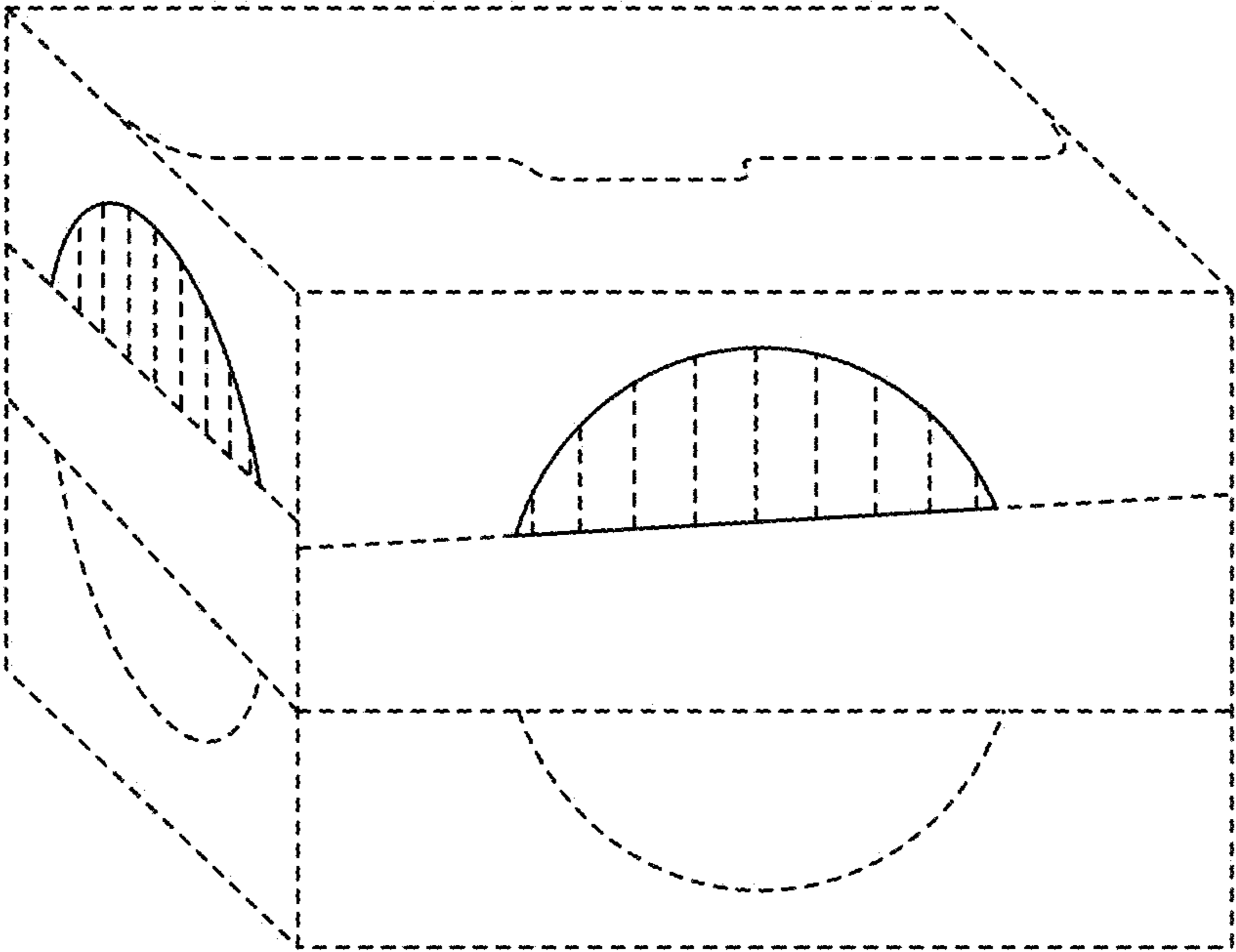


FIG. 1

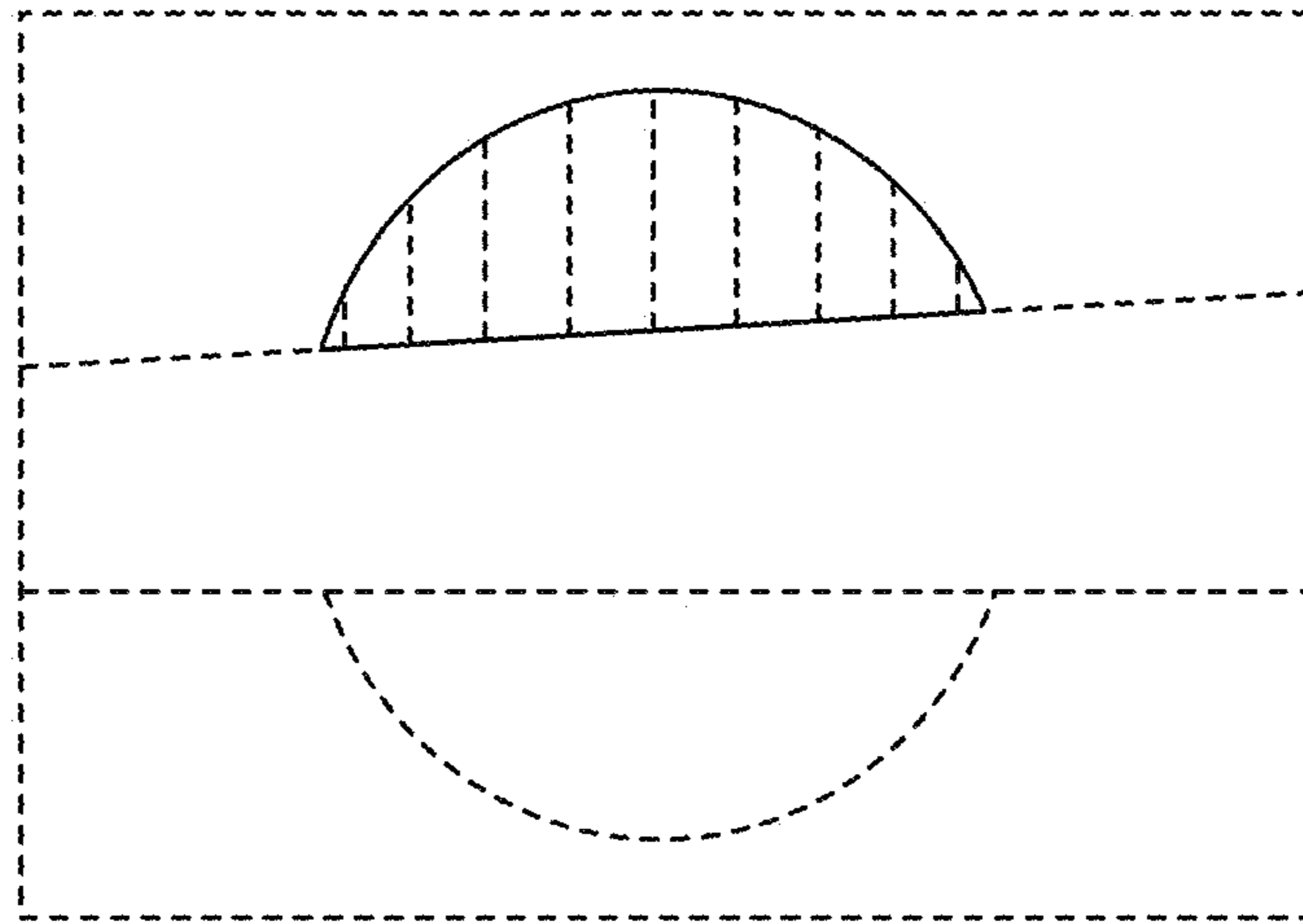


FIG. 2



FIG. 3

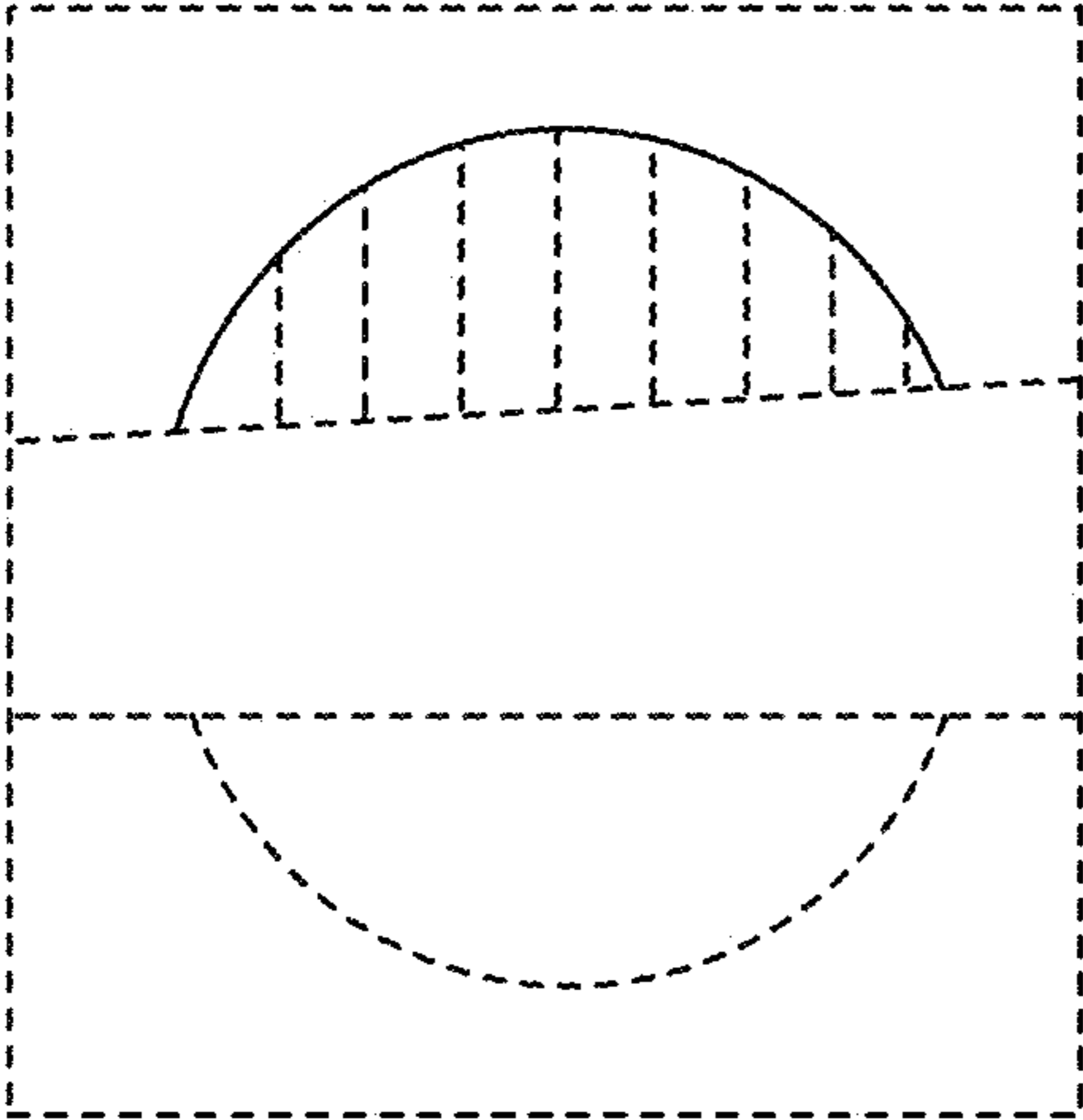


FIG. 4

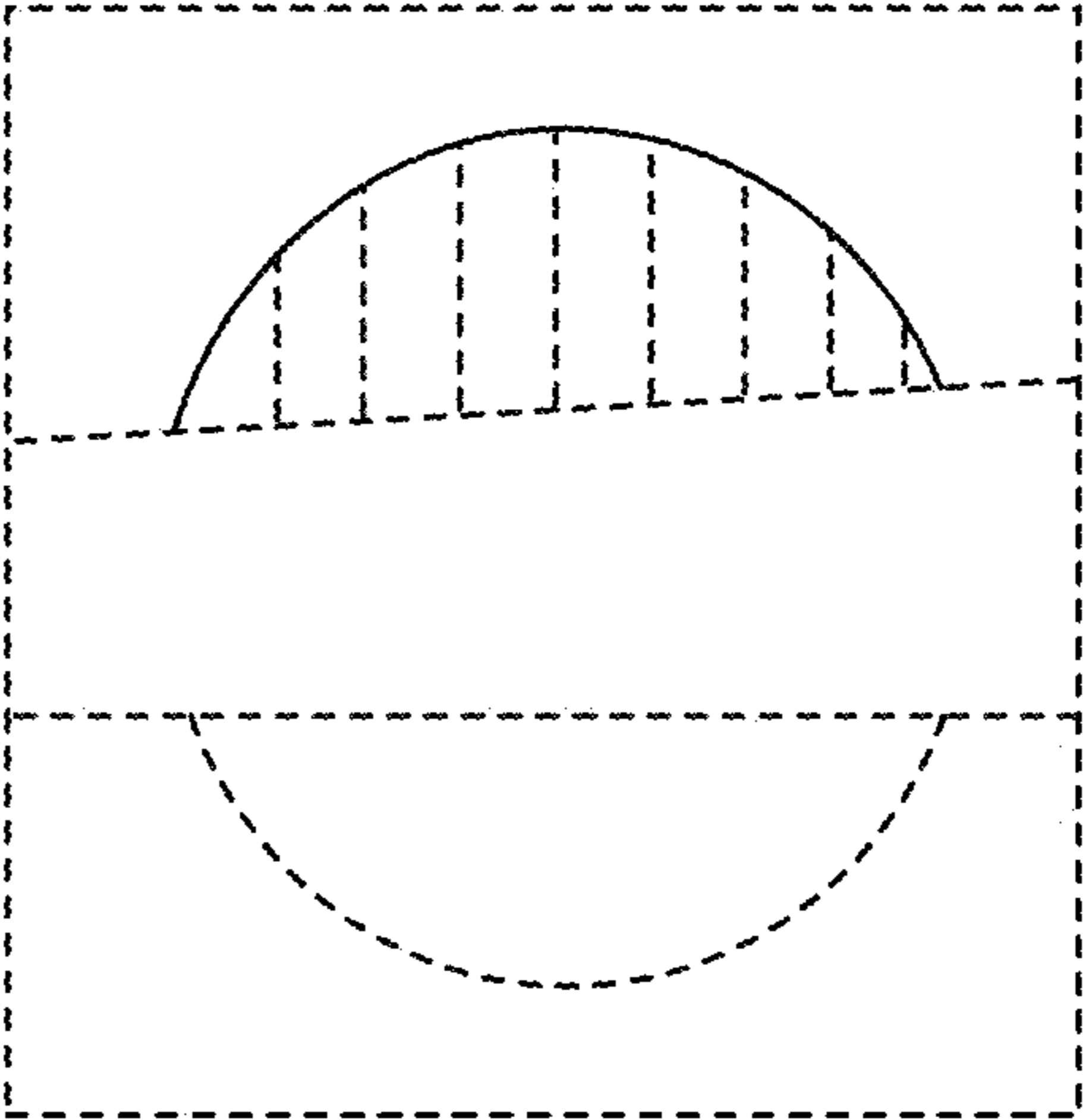


FIG. 5

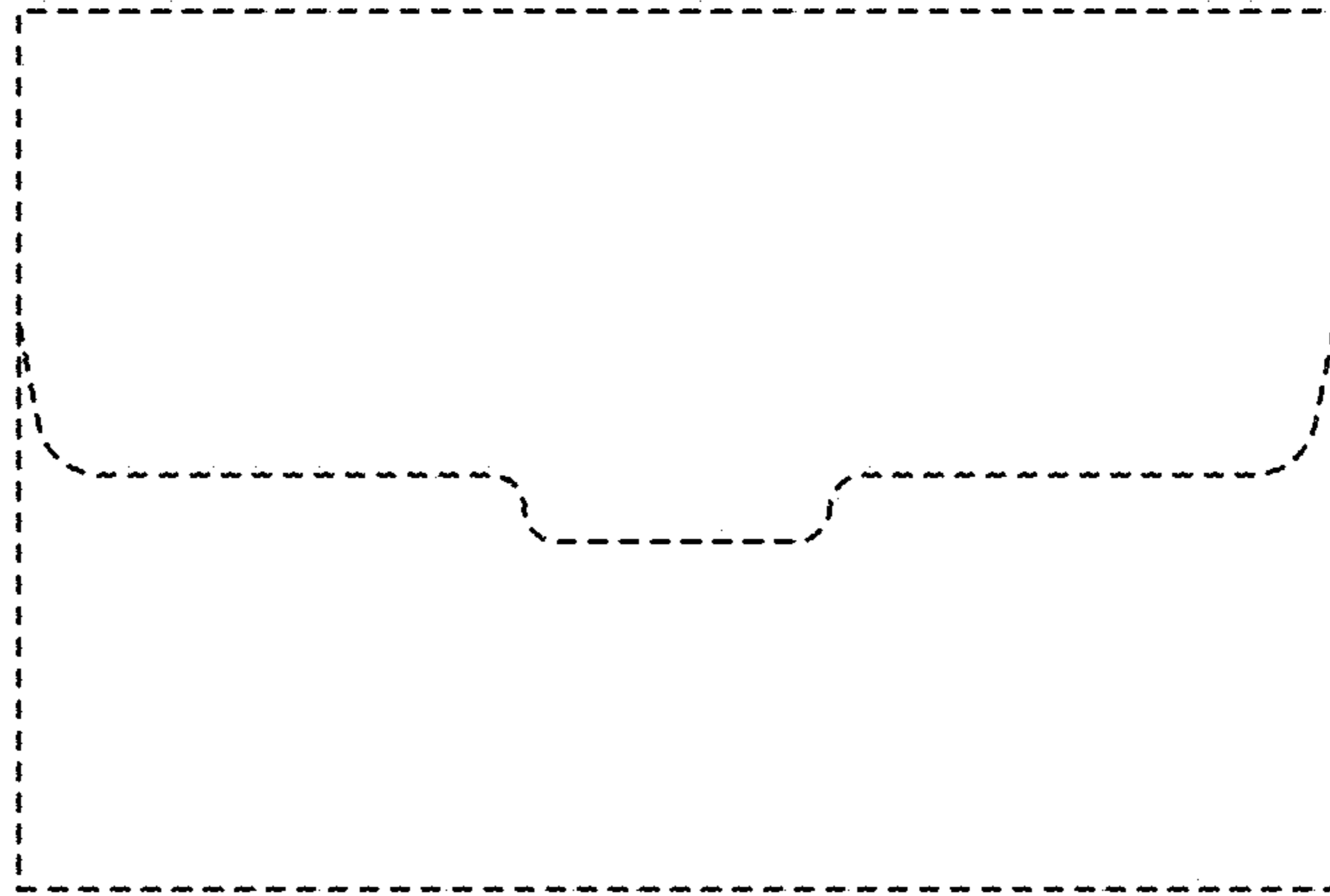


FIG. 6



FIG. 7

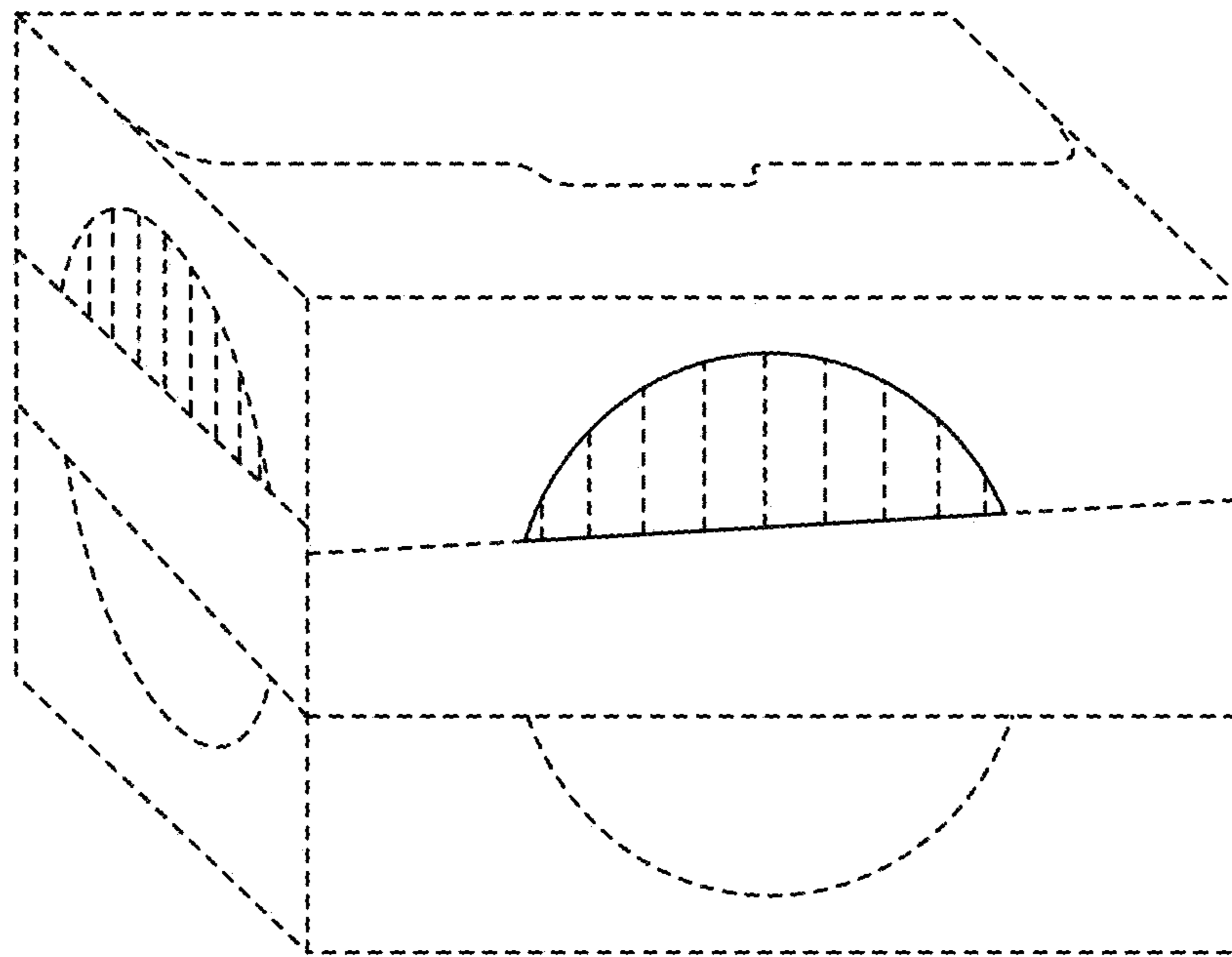


FIG. 8

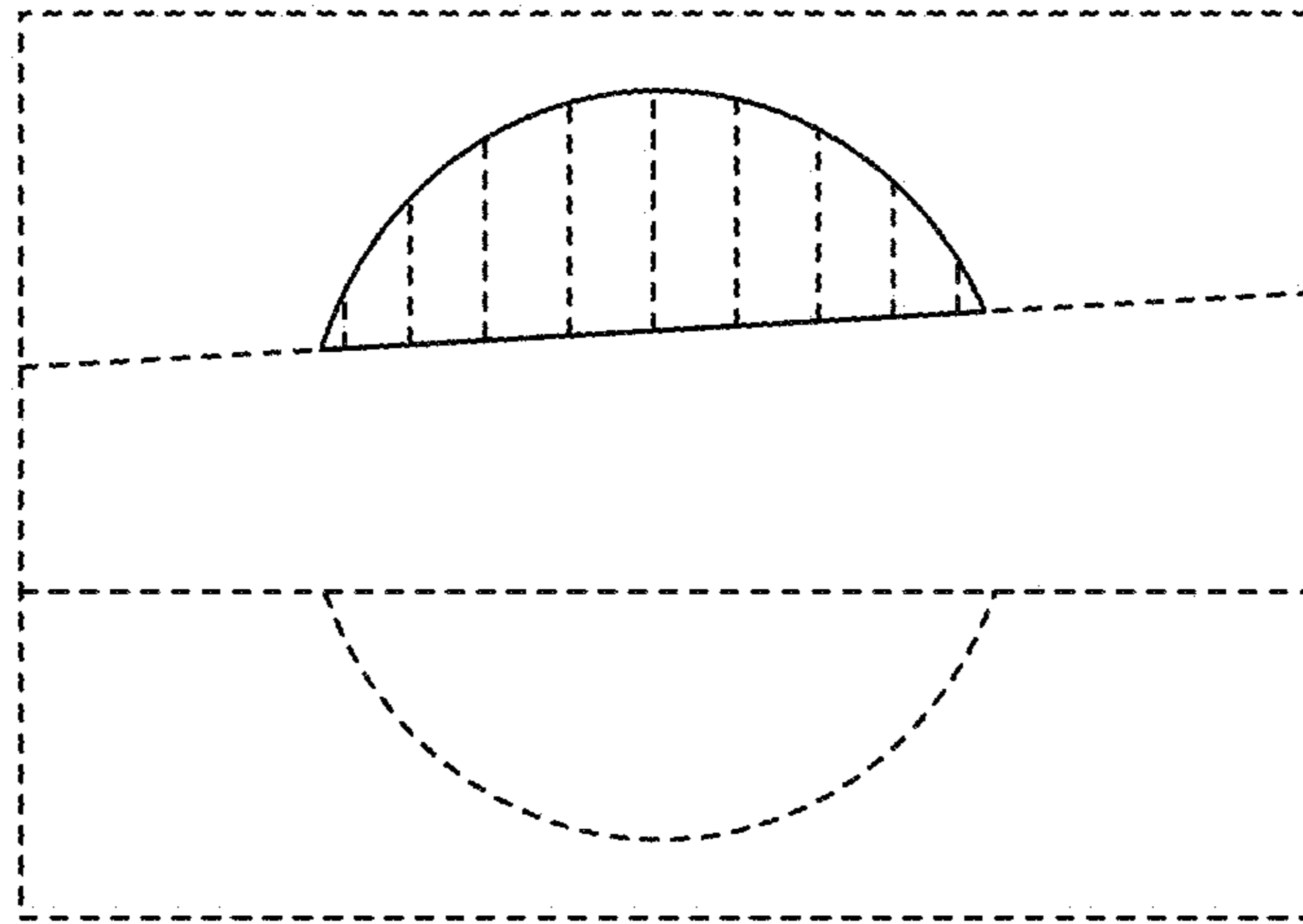


FIG. 9



FIG. 10

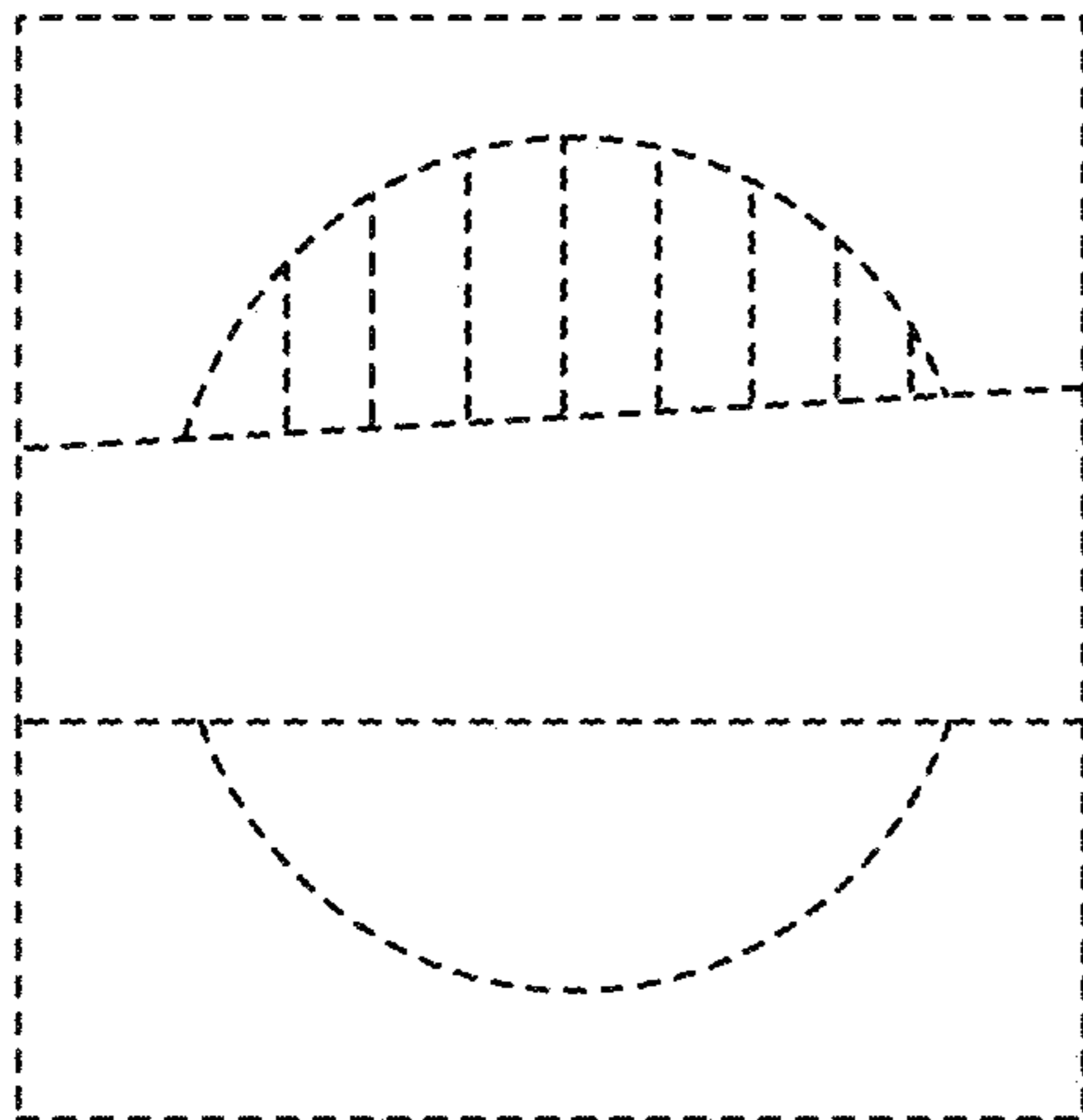


FIG. 11

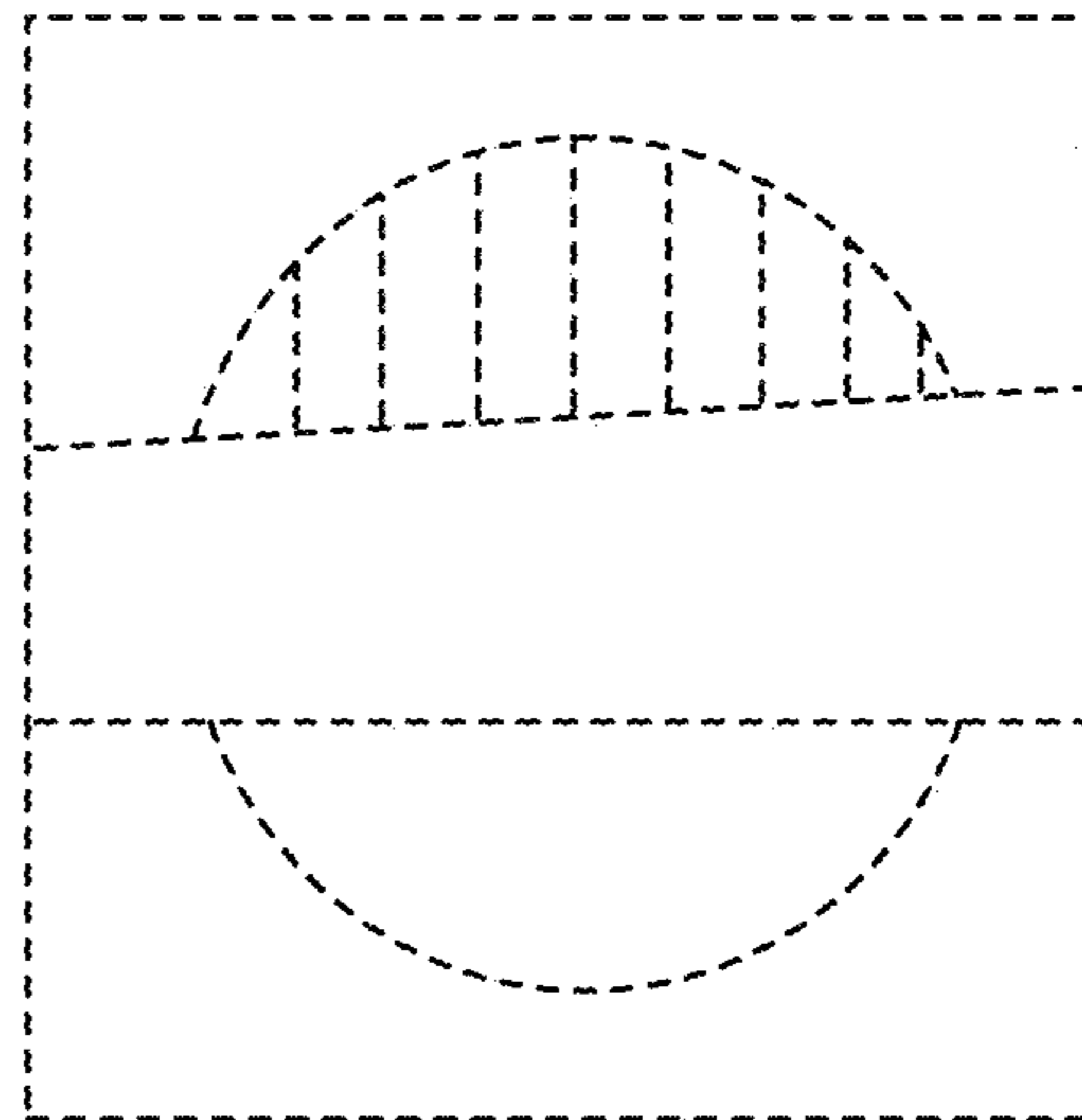


FIG. 12

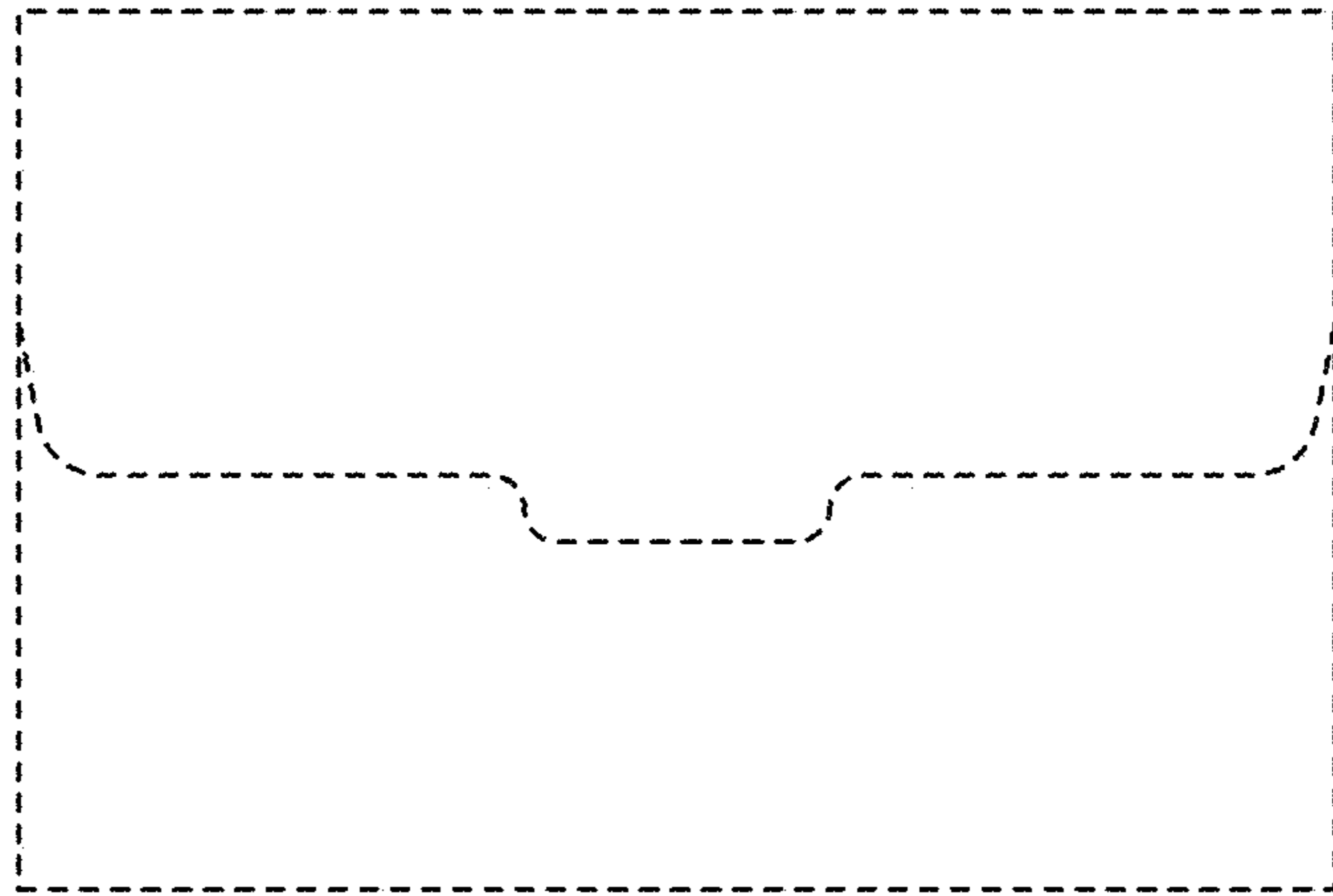


FIG. 13



FIG. 14