



US00D903487S

(12) **United States Design Patent** (10) **Patent No.:** **US D903,487 S**
Bohache et al. (45) **Date of Patent:** **** *Dec. 1, 2020**

- (54) **CARTON HAVING LEGS**
- (71) Applicant: **The Procter & Gamble Company**,
Cincinnati, OH (US)
- (72) Inventors: **Joseph Bohache**, Milford, OH (US);
Ian Oliver Malott, Hyde Park, OH
(US)
- (73) Assignee: **The Procter & Gamble Company**,
Cincinnati, OH (US)
- (*) Notice: This patent is subject to a terminal dis-
claimer.
- (**) Term: **15 Years**
- (21) Appl. No.: **29/688,001**
- (22) Filed: **Apr. 17, 2019**
- (51) **LOC (12) Cl.** **09-03**
- (52) **U.S. Cl.**
USPC **D9/430; D9/434**
- (58) **Field of Classification Search**
USPC D9/414-423, 430-433, 434, 456, 457,
D9/600, 652, 667, 711, 713, 721-722,
D9/737, 756, 758, 759, 760; D14/480,
D14/489, 490; D20/10, 22, 27, 40, 42
CPC ... B65D 5/00; B65D 5/02; B65D 5/18; B65D
5/20
See application file for complete search history.

- 5,971,168 A * 10/1999 Proulx A47G 19/30
211/73
 - D523,610 S * 6/2006 Kissell D34/38
 - D525,760 S * 7/2006 Kissell D34/38
 - D695,607 S * 12/2013 Karvalis D9/431
 - D713,725 S * 9/2014 Cedeno D7/504
 - D772,067 S * 11/2016 Mondelli D9/435
- (Continued)

OTHER PUBLICATIONS

Turning the Tide: The Eco-Box eCommerce Rethink. [online]
Published Nov. 20, 2018. Retrieved from URL: <https://packagingeuropa.com/tide-procter-gamble-ecobox-ecommerce-packaging/>.
(Continued)

Primary Examiner — Vy N Koenig
(74) *Attorney, Agent, or Firm* — Gary J. Foose

(57) **CLAIM**

The ornamental design for a carton having legs, as shown
and described.

DESCRIPTION

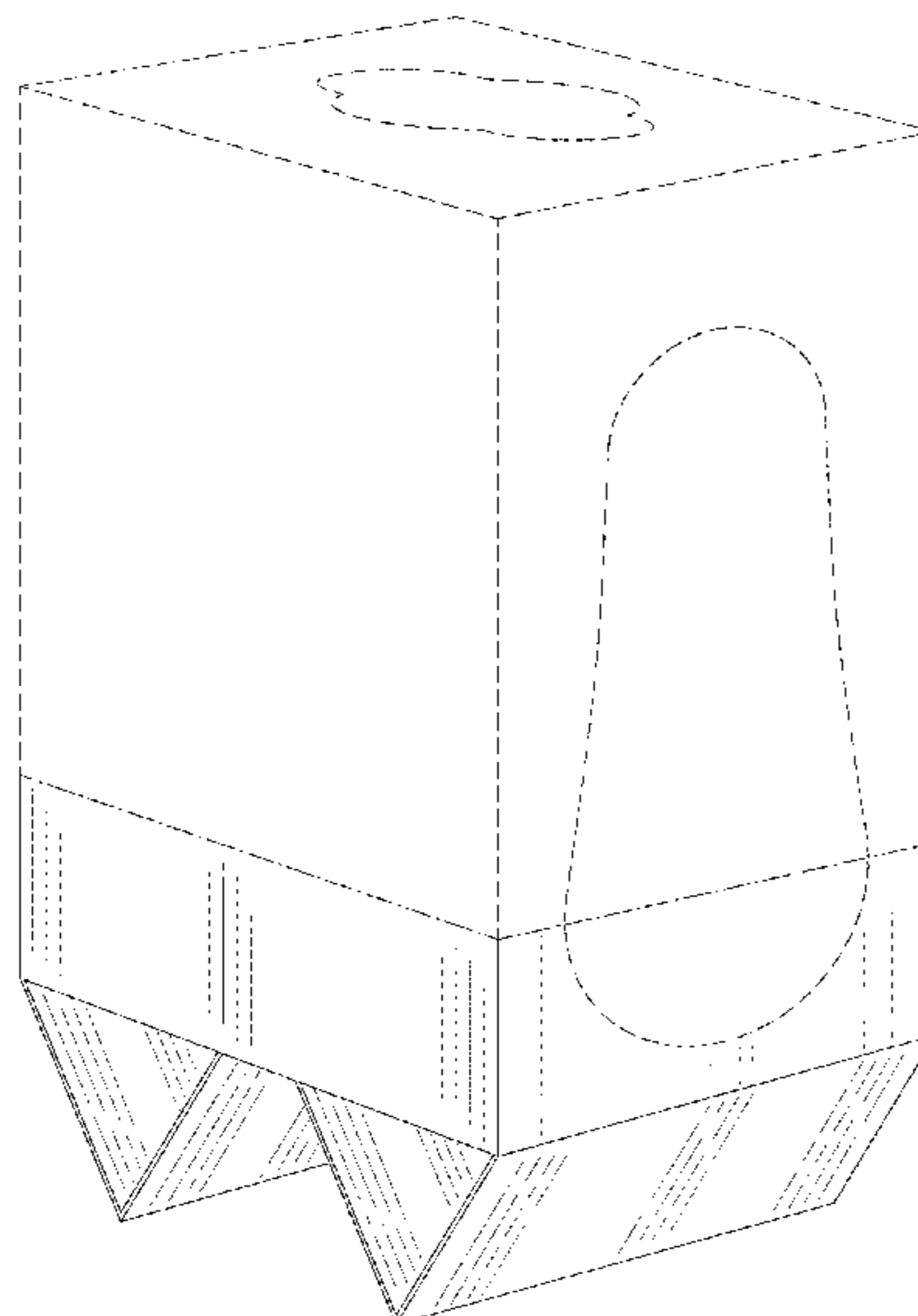
FIG. 1 is a front view of a carton having legs showing our
new design;
FIG. 2 is a side view of the carton having legs of FIG. 1;
FIG. 3 is a front view of the carton having legs of FIG. 1;
FIG. 4 is a side view of the carton having legs of FIG. 1,
opposite the side view of FIG. 2;
FIG. 5 is a rear view of the carton having legs of FIG. 1,
opposite the front view of FIG. 3;
FIG. 6 is a top view of the carton having legs of FIG. 1; and,
FIG. 7 is a bottom view of the carton having legs of FIG. 1,
opposite the top view of FIG. 6.
The dashed broken lines represent unclaimed structure or
features that form no part of the claimed design.
The dot-dash broken lines represent boundaries of the
claimed design; the dot-dash broken lines themselves form
no part of the claimed design.

1 Claim, 4 Drawing Sheets

(56) **References Cited**

U.S. PATENT DOCUMENTS

- 2,741,362 A * 4/1956 Cortright B65D 5/504
206/453
- 3,101,166 A * 8/1963 Van Antwerpen B65D 5/504
206/454
- 3,146,932 A * 9/1964 Mayer B65D 5/5054
206/586
- D240,117 S * 6/1976 Skagmo D9/456



(56)

References Cited

U.S. PATENT DOCUMENTS

D818,316 S * 5/2018 Disraeli D7/504
D860,790 S * 9/2019 Sedgwick D9/456
2006/0283925 A1* 12/2006 Specker B65D 5/545
229/120.24
2020/0108994 A1* 4/2020 Bohache B65D 25/24

OTHER PUBLICATIONS

U.S. Appl. No. 29/688,004, filed Apr. 17, 2019, Malott.
U.S. Appl. No. 29/688,007, filed Apr. 17, 2019, Malott.

* cited by examiner

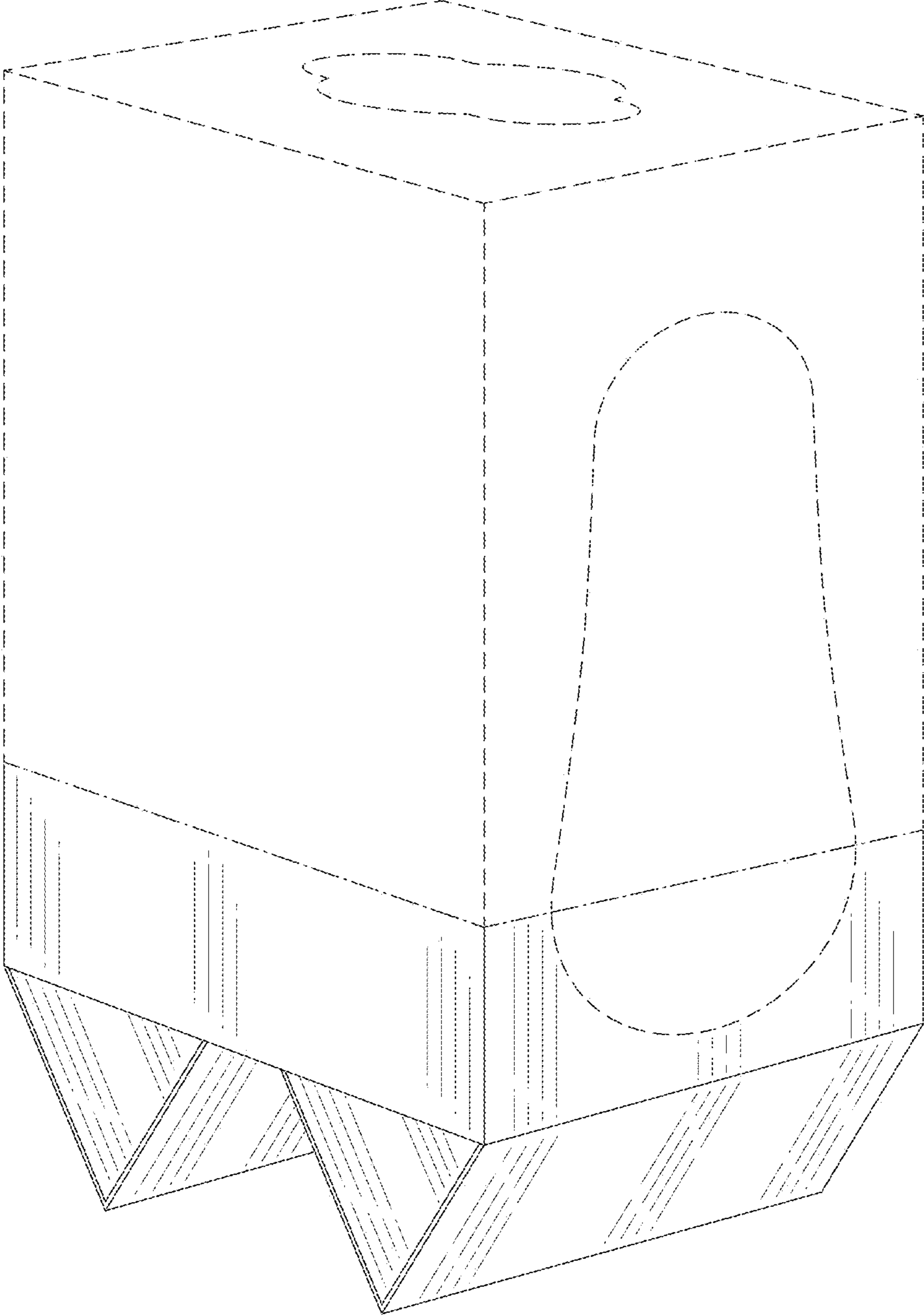


FIG. 1

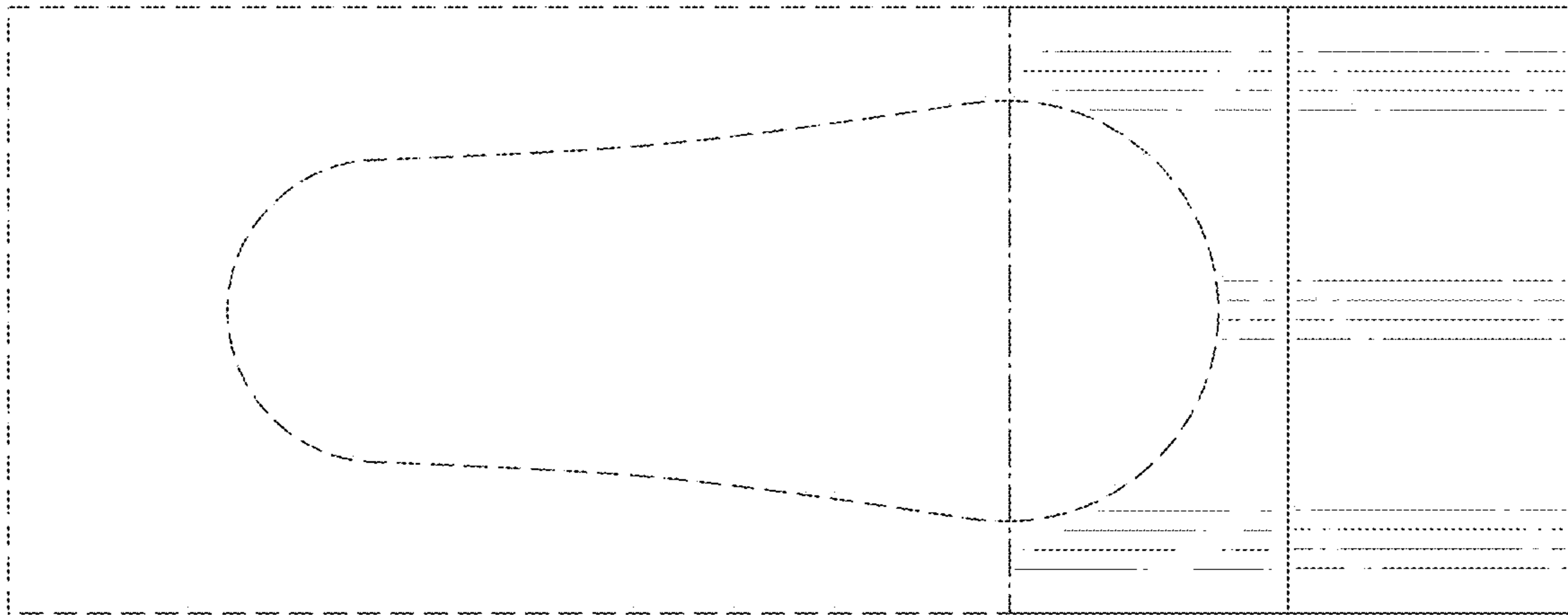


FIG. 3

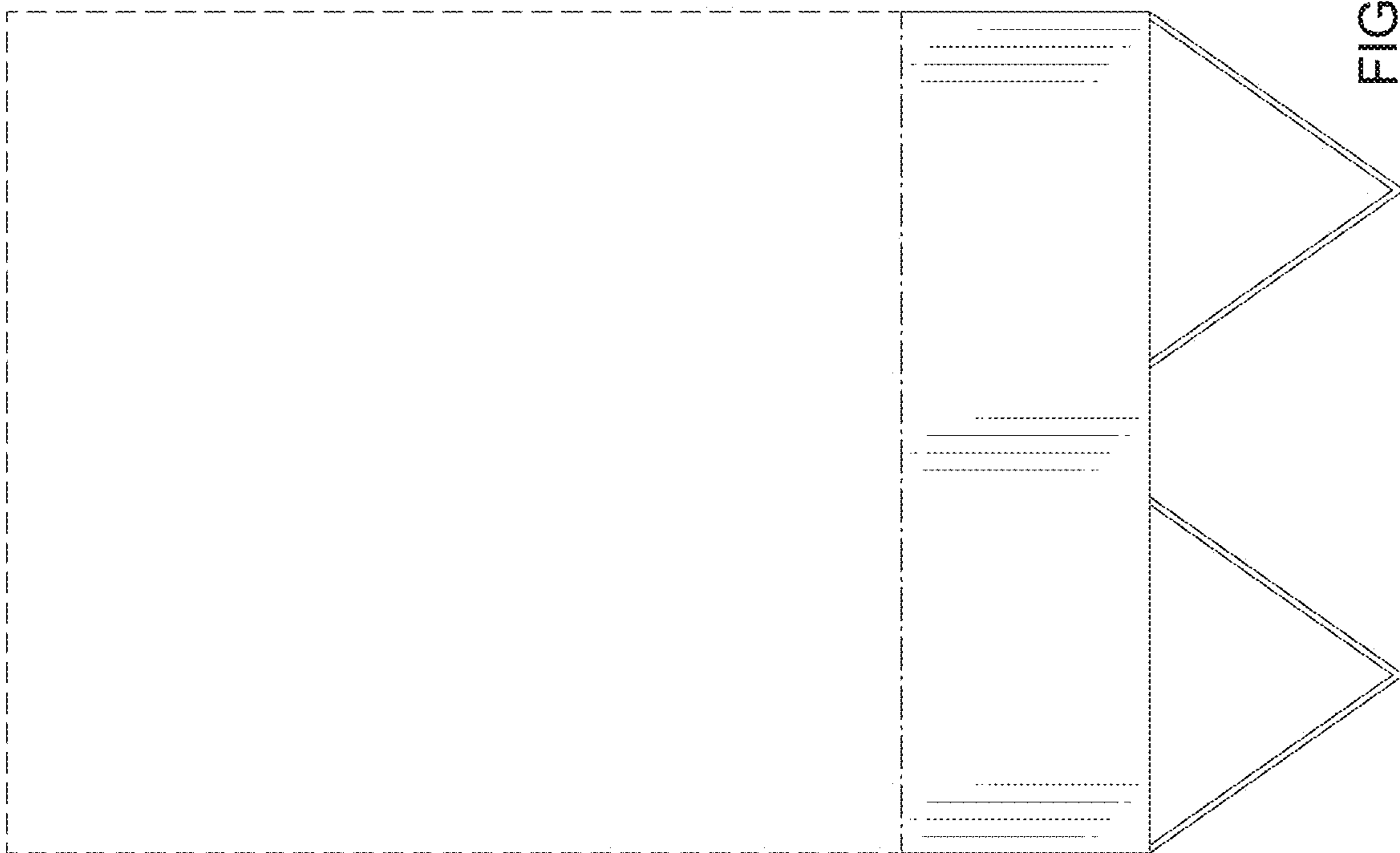


FIG. 2

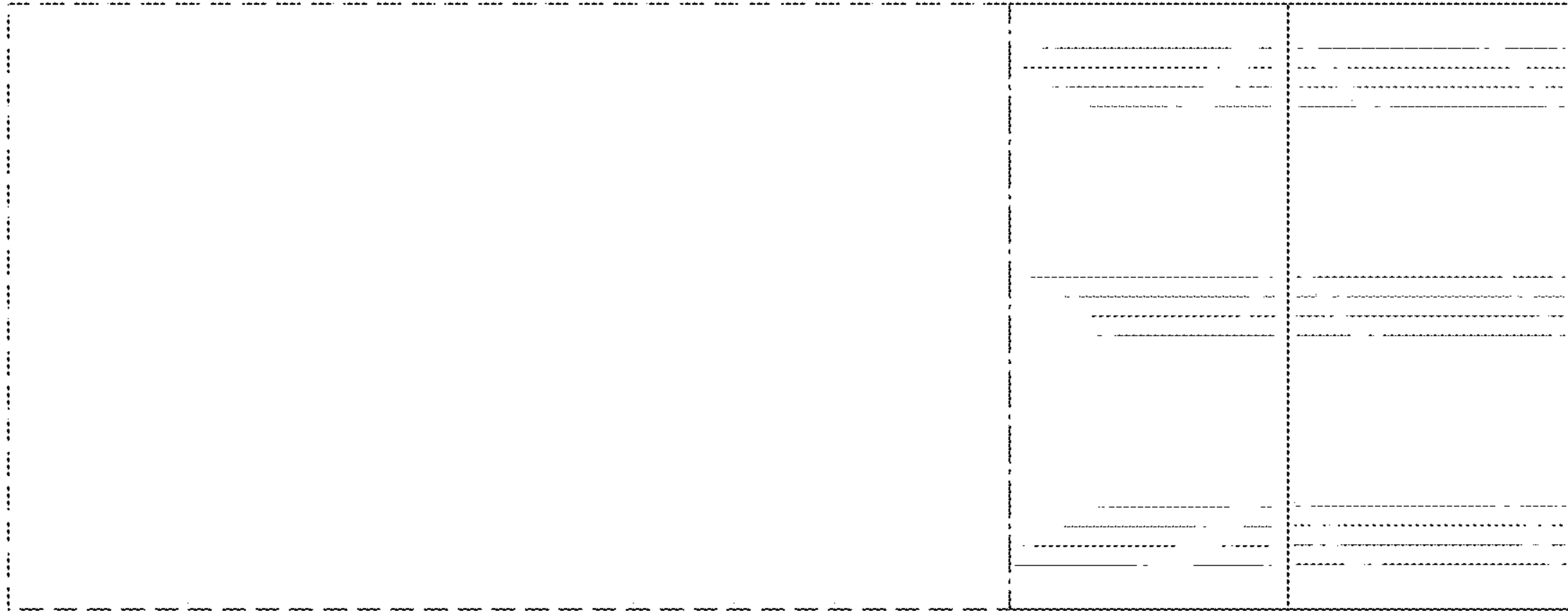


FIG. 5

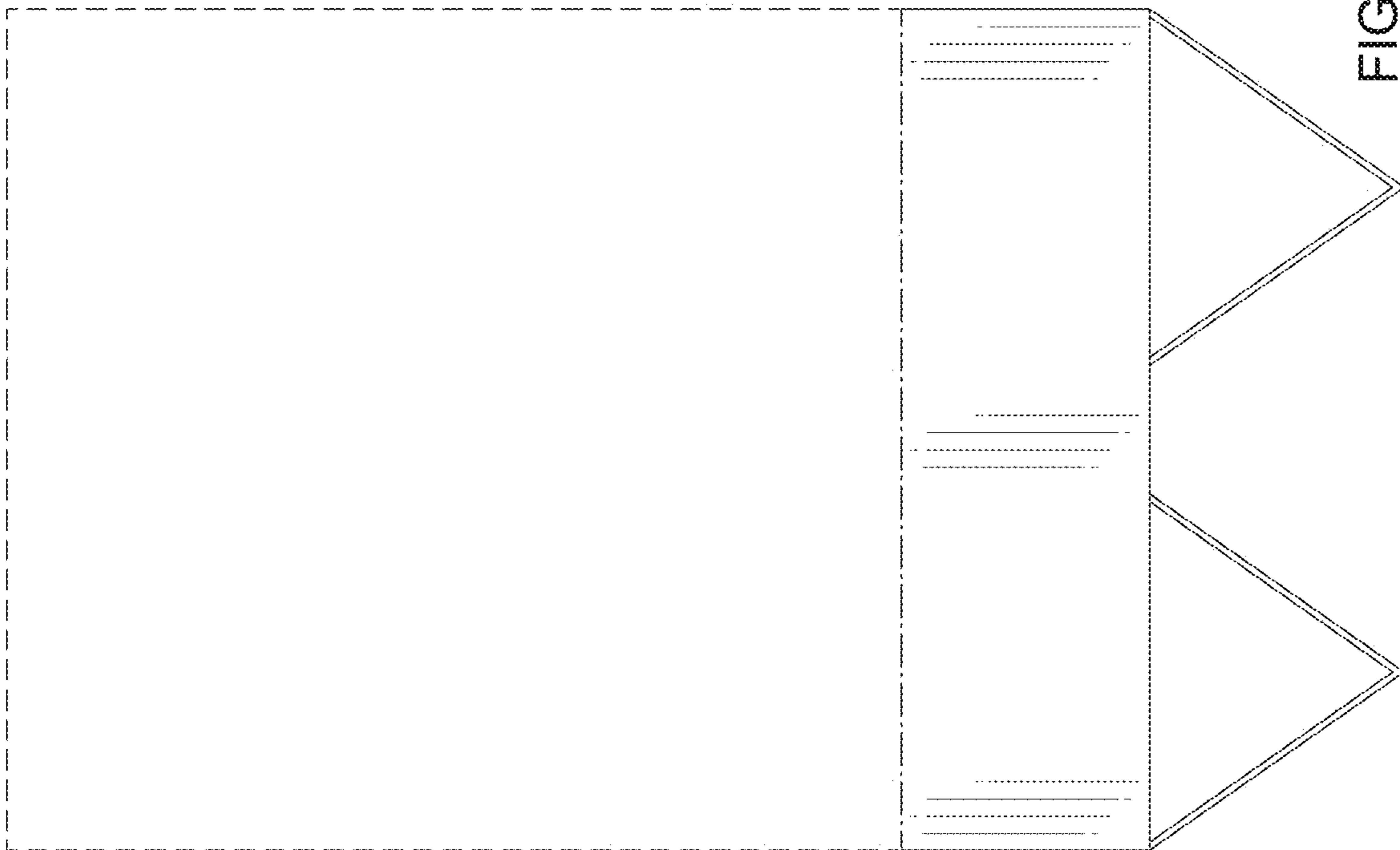


FIG. 4

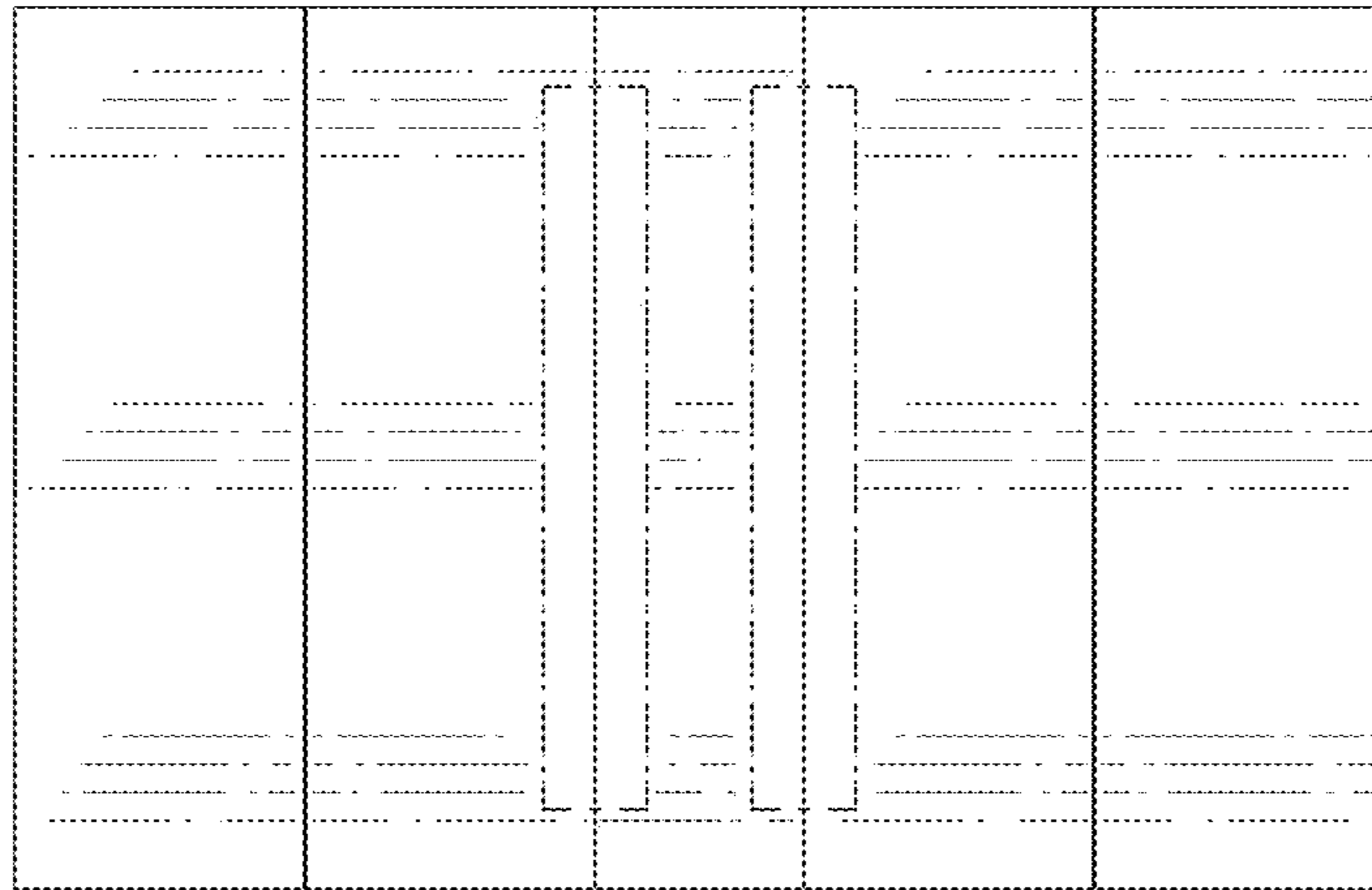


FIG. 7

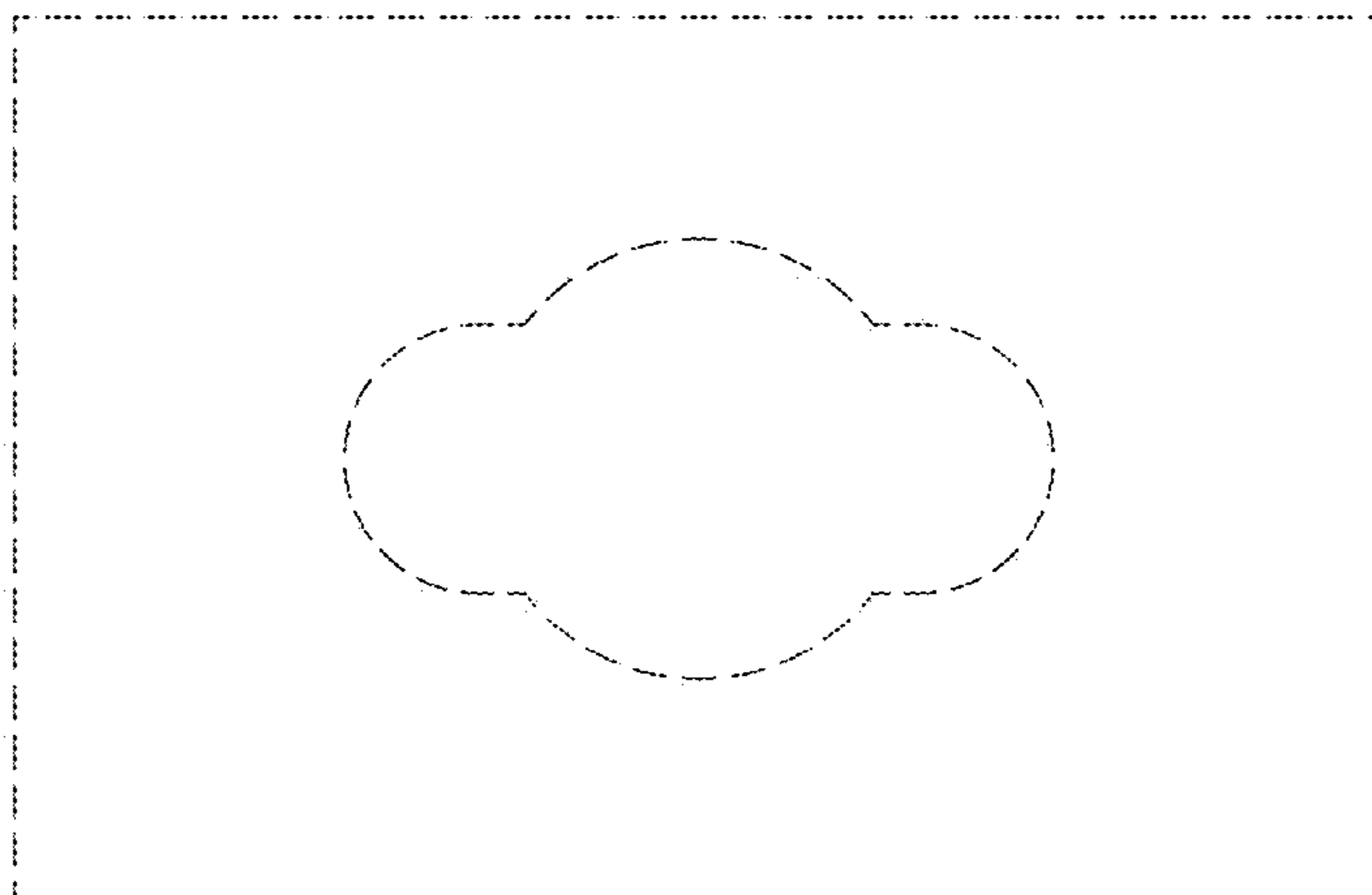


FIG. 6