



US00D903486S

(12) **United States Design Patent** (10) **Patent No.:** **US D903,486 S**
Kim (45) **Date of Patent:** **** Dec. 1, 2020**

(54) **LIFE PRESERVER STORAGE BOX**
(71) Applicant: **Min Joo Kim**, Yongin-si (KR)
(72) Inventor: **Min Joo Kim**, Yongin-si (KR)
(**) Term: **15 Years**
(21) Appl. No.: **35/506,981**
(22) Filed: **Dec. 3, 2018**

D719,140 S * 12/2014 Sanhui D14/225
D746,797 S * 1/2016 Chen D14/228
D769,618 S * 10/2016 Szal D3/270
D834,300 S * 11/2018 Sapara, Jr. D3/201
D839,095 S * 1/2019 Fux D9/503
D839,096 S * 1/2019 Fux D9/503
D874,126 S * 2/2020 Peters D3/201
2005/0120972 A1* 6/2005 Aboujaoude A01K 15/025
119/707
2011/0289665 A1* 12/2011 Lees E03D 13/00
4/222

(80) **Hague Agreement Data**
Int. Filing Date: **Dec. 3, 2018**
Int. Reg. No.: **DM/201527**
Int. Reg. Date: **Dec. 3, 2018**
Int. Reg. Pub. Date: **Jun. 28, 2019**

(30) **Foreign Application Priority Data**
Sep. 6, 2018 (EM) 30-2018-0041741
(51) **LOC (12) Cl.** **09-03**
(52) **U.S. Cl.**
USPC **D9/428; D9/499; D29/124**
(58) **Field of Classification Search**
USPC D3/201, 203.1, 203.6, 203.7, 212, 269,
D3/270, 271.1, 272, 273, 294; D9/414,
D9/420, 421, 424-430, 499, 600;
D29/124
CPC B65D 83/382; A41D 13/0125
See application file for complete search history.

(56) **References Cited**
U.S. PATENT DOCUMENTS
3,706,140 A * 12/1972 Brillaud D06F 58/203
34/60
D390,103 S * 2/1998 Gerson D24/189
D412,198 S * 7/1999 Bonelli D23/208
D520,136 S * 5/2006 Keller D24/131
D629,972 S * 12/2010 Peters D29/124
D663,943 S * 7/2012 Walsh D3/203.1
D677,168 S * 3/2013 Bourguignon D9/425

OTHER PUBLICATIONS

Amazon. Classic Retro Dynamic Vocal Microphone—Old Vintage Style Unidirectional Cardioid Mic with XLR Cable—Universal Stand Compatible—Live Performance in Studio Recording—Pyle Pro PDMICR42SL (Silver)—Pyle. Dec. 6, 2013. <https://amzn.to/3drbCXF> (Year: 2013).*

* cited by examiner

Primary Examiner — Darcey E Gottschalk

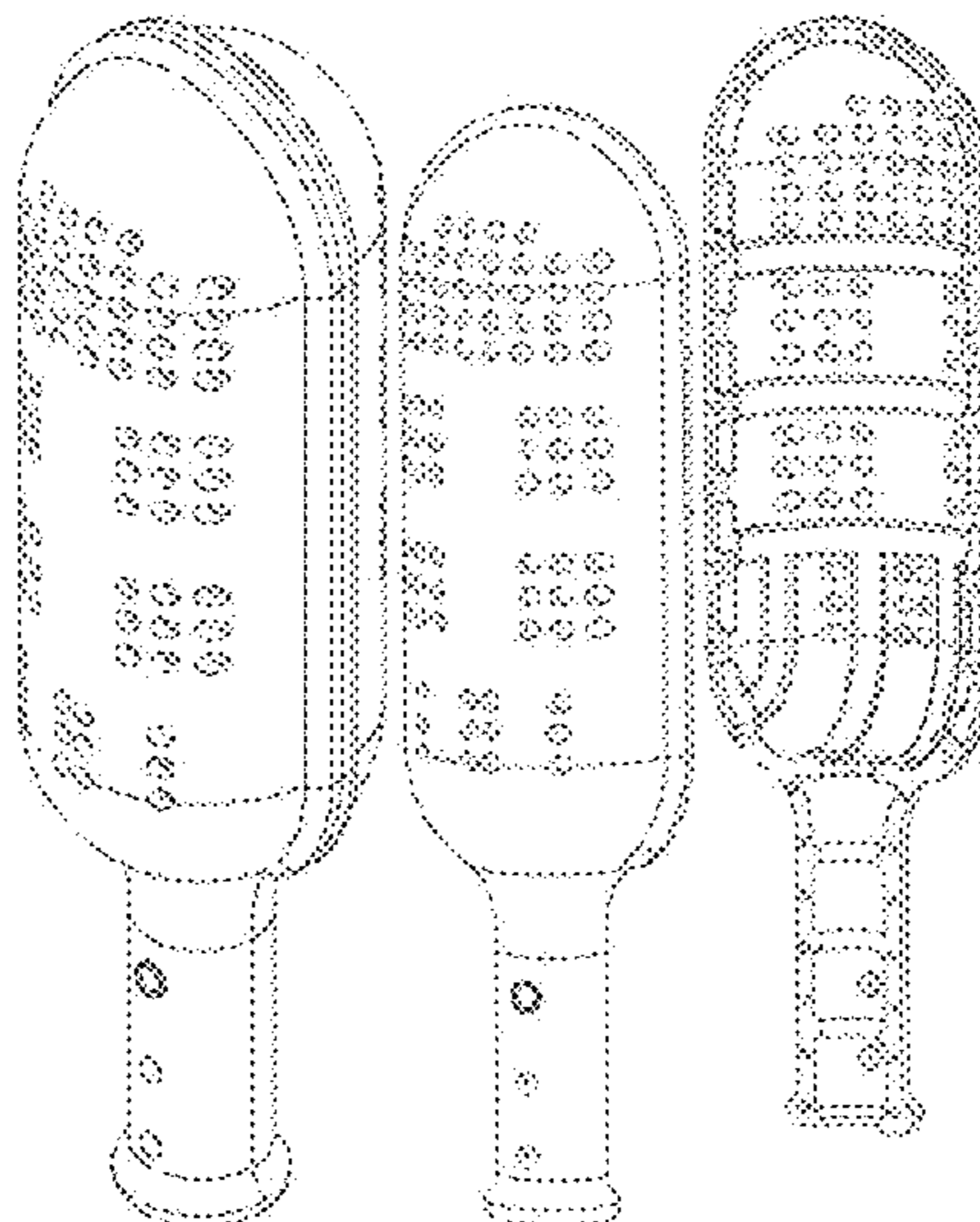
(57) **CLAIM**

The ornamental design for a life preserver storage box, as shown and described.

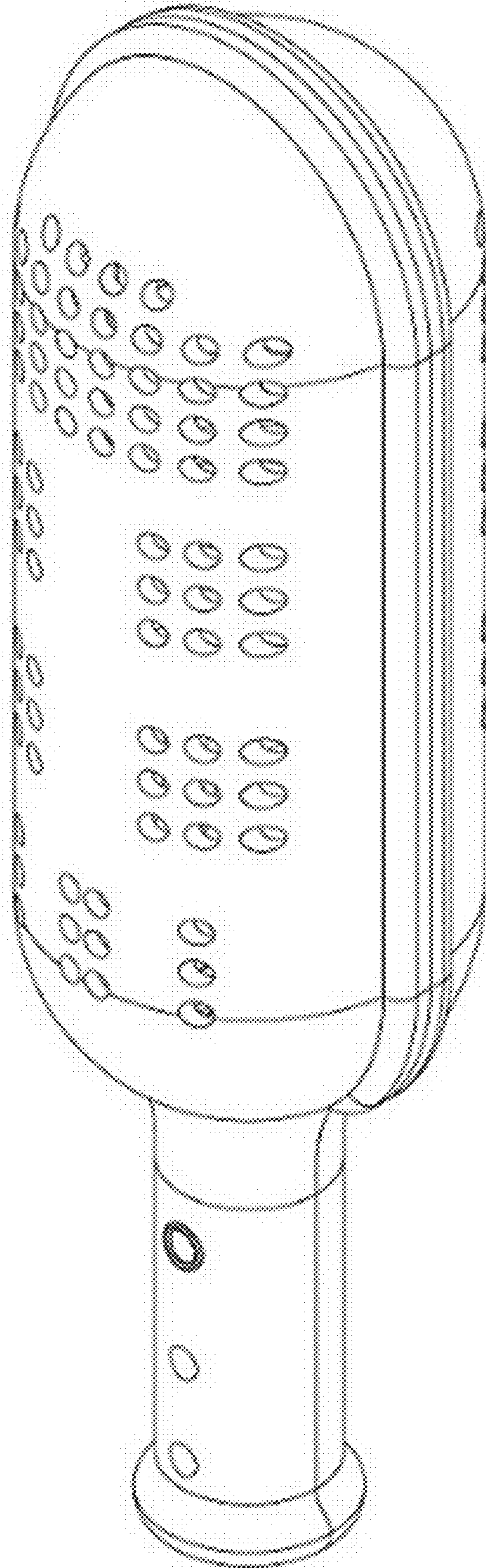
DESCRIPTION

1. Life preserver storage box
FIG. 1.1 is a perspective view of a life preserver storage box;
FIG. 1.2 is a front view thereof;
FIG. 1.3 is a back view thereof;
FIG. 1.4 is a top view thereof;
FIG. 1.5 is a bottom view thereof;
FIG. 1.6 is a left view thereof;
FIG. 1.7 is a right view thereof; and
FIG. 1.8 is an exploded view thereof.
The claimed design is for a life preserver storage box made of silicone; it is used to store a life preserver and is to be directly thrown by a user to allow the life preserver to reach where there is a person in need of rescue.

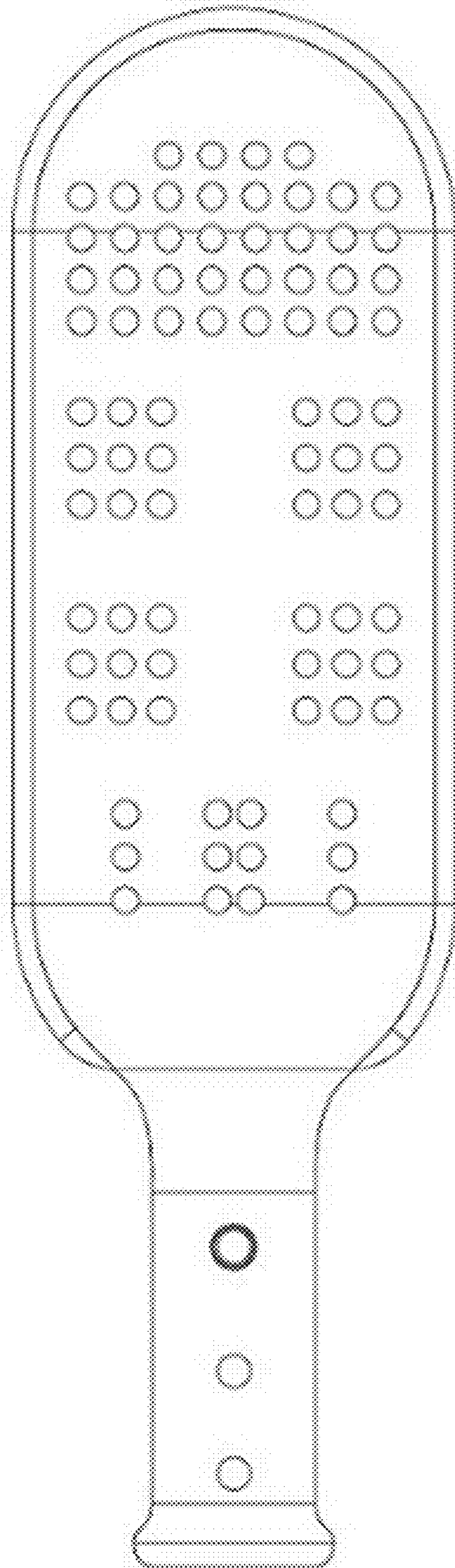
1 Claim, 8 Drawing Sheets



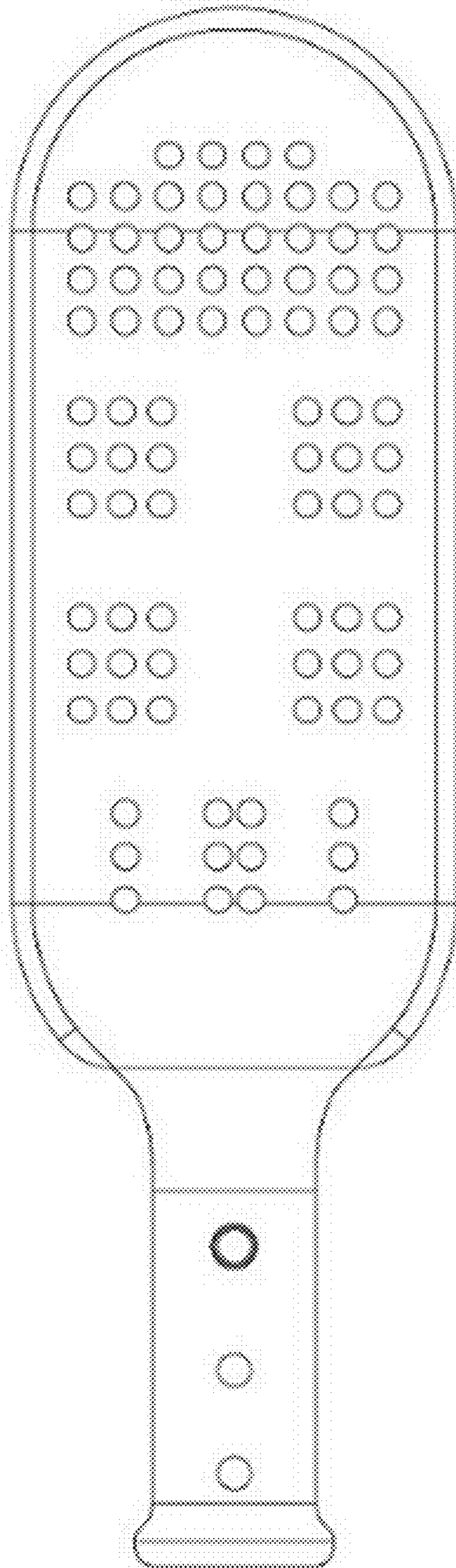
1.1



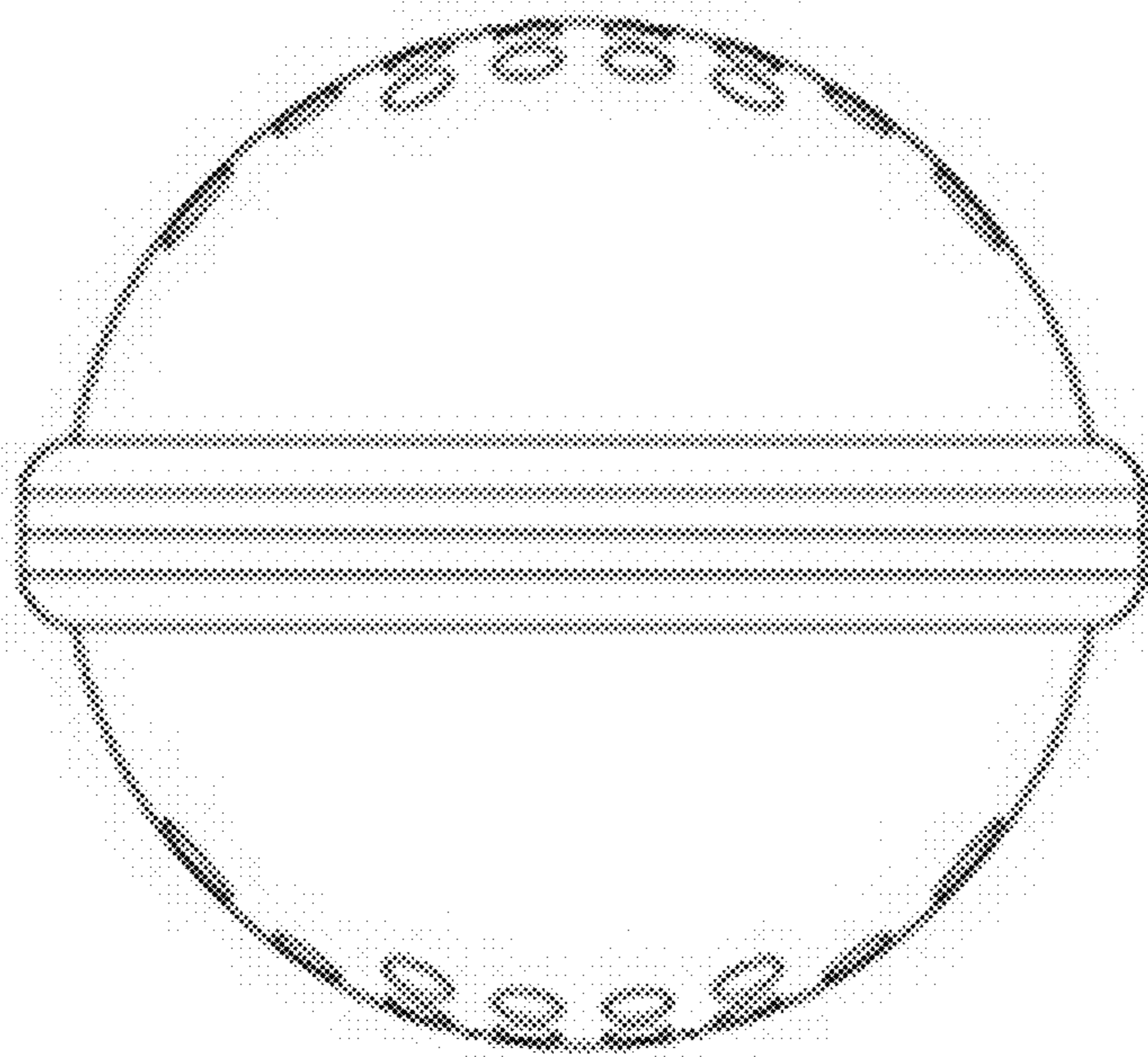
1.2



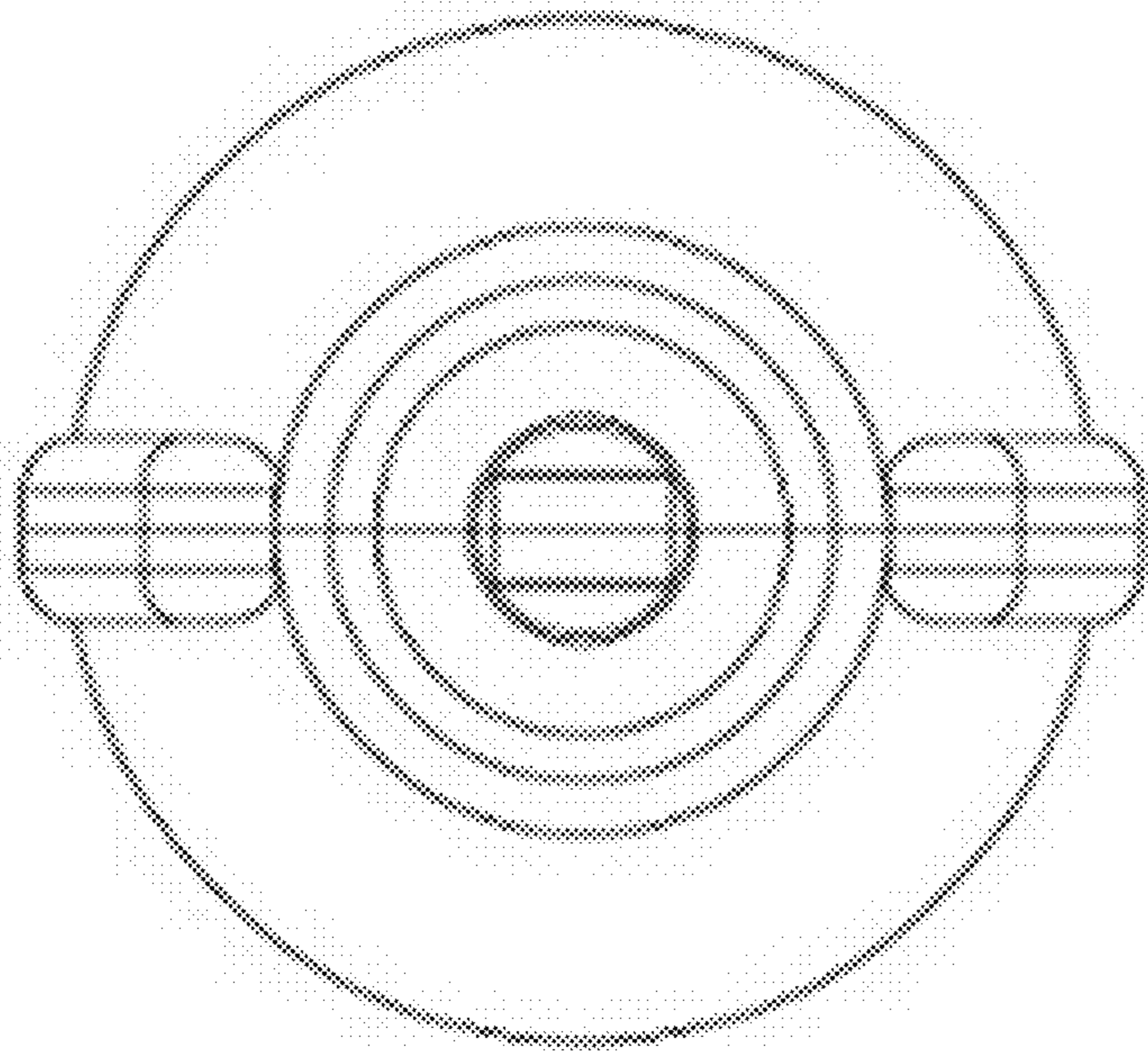
1.3



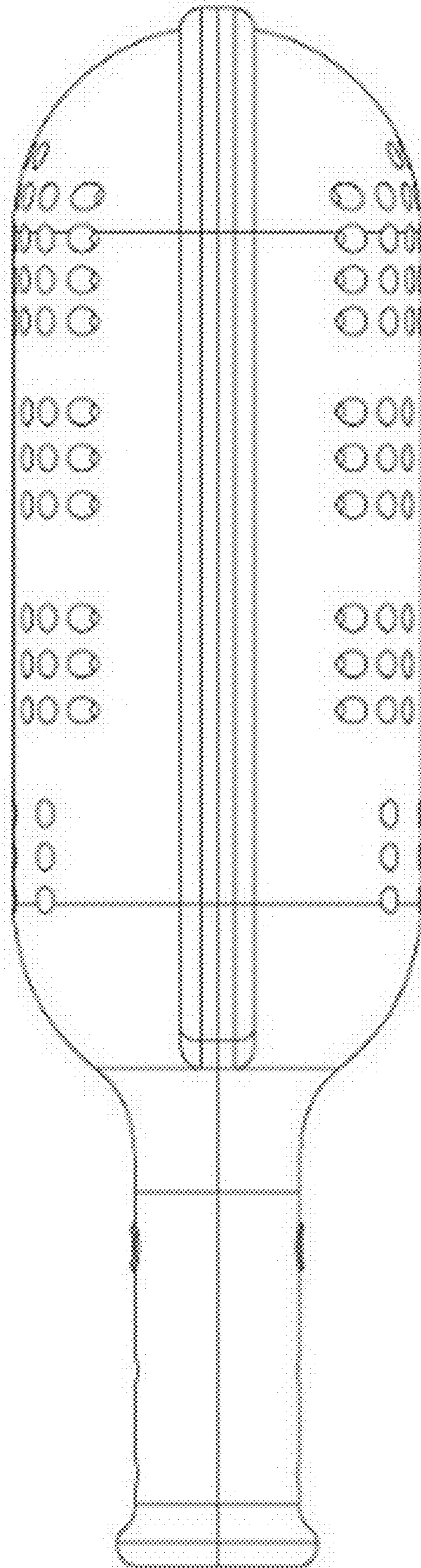
1.4



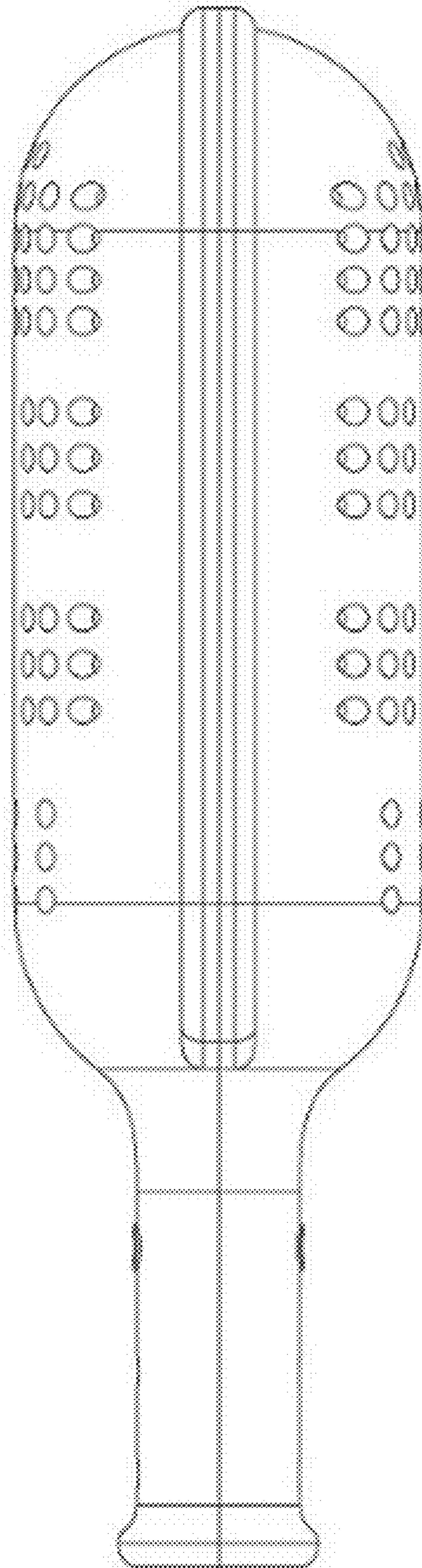
1.5



1.6



1.7



1.8

