



US00D903481S

(12) **United States Design Patent** (10) **Patent No.:** **US D903,481 S**
Harders (45) **Date of Patent:** **** Dec. 1, 2020**

(54) **DECORATIVE NUT**
(71) Applicant: **Patrick Harders**, Sterling, VA (US)
(72) Inventor: **Patrick Harders**, Sterling, VA (US)
(**) Term: **15 Years**
(21) Appl. No.: **29/706,491**
(22) Filed: **Sep. 20, 2019**
(51) **LOC (12) Cl.** **08-08**
(52) **U.S. Cl.**
USPC **D8/397**
(58) **Field of Classification Search**
USPC D8/397, 394, 382, 349, 399, 387, 70, 29,
D8/83, 86; 411/376.2, 84, 446, 399, 490,
411/455, 377; D23/259, 260
CPC F01N 13/009; F16B 33/002; F16B 13/009;
F16B 41/002; F16B 5/0208; F16B
23/0061; F16B 31/02
See application file for complete search history.

(56) **References Cited**

U.S. PATENT DOCUMENTS

D44,178 S * 6/1913 McMurtrie D23/262
2,440,944 A * 5/1948 Green F16B 39/286
411/282
3,543,826 A * 12/1970 Forgaard F16B 39/284
411/284
D223,231 S * 4/1972 Miller D8/385
3,693,495 A * 9/1972 Wagner F16B 23/003
411/377
D273,561 S * 4/1984 Ozaki D8/397
5,324,149 A * 6/1994 Bainbridge F16B 37/14
411/377
5,810,532 A * 9/1998 Huang F16B 37/14
411/377
D479,585 S * 9/2003 Mulligan D23/259
D484,785 S * 1/2004 Plumer D8/397
D488,715 S * 4/2004 Plumer D8/397

D494,056 S * 8/2004 Clendenning D15/29
D513,380 S * 1/2006 Bruni D8/397
D551,269 S * 9/2007 Burke, III D15/139
D553,716 S * 10/2007 Lockard D23/259
D558,306 S * 12/2007 McCluskey D23/264
7,455,328 B2 * 11/2008 Chelchowski F16L 19/086
285/247
D594,937 S * 6/2009 Price D23/259
D600,546 S * 9/2009 Scilingo D8/397
D648,006 S * 11/2011 Morishita D23/259
D649,031 S * 11/2011 Rand D8/397
D656,392 S * 3/2012 McKenna D8/382
D669,968 S * 10/2012 Morishita D23/259
D684,455 S * 6/2013 Relyea D8/397
D702,543 S * 4/2014 Bell D8/397
D713,715 S * 9/2014 Kury D8/397

(Continued)

Primary Examiner — Cynthia R Underwood

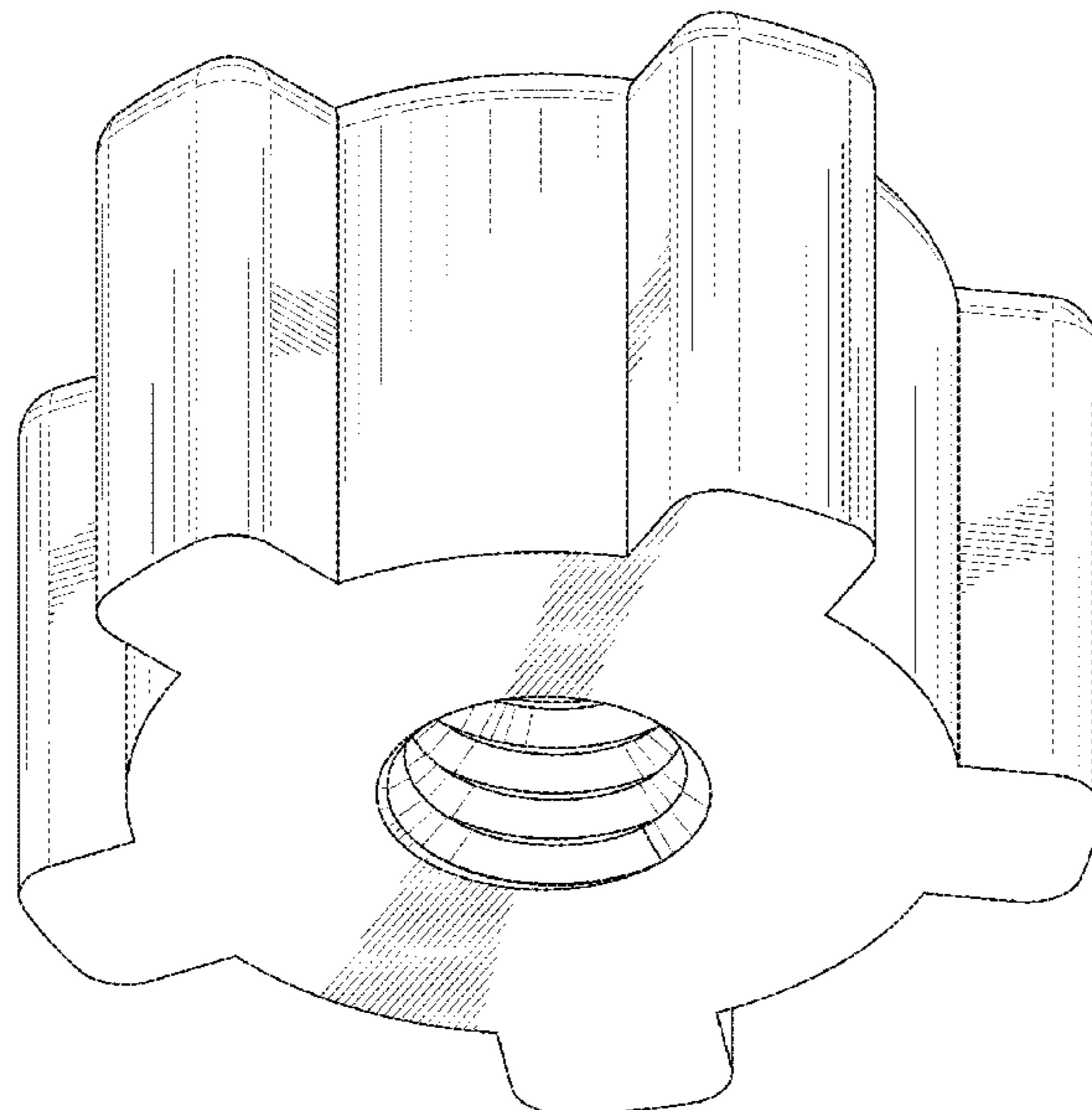
(57) **CLAIM**

The ornamental design for a decorative nut, as shown and described.

DESCRIPTION

FIG. 1 shows a top isometric view of a decorative nut having the design of the present invention.
FIG. 2 presents a bottom isometric view of a decorative nut having the design of the present invention.
FIG. 3 depicts a front view of a decorative nut having the design of the present invention.
FIG. 4 is a rear view of a decorative nut having the design of the present invention.
FIG. 5 presents a right side view of a decorative nut having the design of the present invention.
FIG. 6 shows a left side view of a decorative nut having the design of the present invention.
FIG. 7 depicts a top view of a decorative nut having the design of the present invention; and,
FIG. 8 is a bottom view of a decorative nut having the design of the present invention.

1 Claim, 6 Drawing Sheets



(56)

References Cited

U.S. PATENT DOCUMENTS

D715,902	S *	10/2014	Malaker	D23/262
D721,423	S *	1/2015	Jacques	D23/260
D724,936	S *	3/2015	Coronado	D8/397
D738,714	S *	9/2015	Kuhmichel	D8/397
D748,227	S *	1/2016	von Lepel	D23/260
D749,197	S *	2/2016	von Lepel	D23/260
D749,198	S *	2/2016	von Lepel	D23/260
D749,199	S *	2/2016	von Lepel	D23/260
9,297,407	B2 *	3/2016	Pudvah	F16B 5/02
9,322,426	B2 *	4/2016	Thomas	F16B 31/02
D769,690	S *	10/2016	Campbell, II	B21K 1/463 D8/86
9,458,610	B2 *	10/2016	Malaker	F16B 31/024
9,593,707	B2 *	3/2017	Weis	B60B 7/14
D785,140	S *	4/2017	Gross	D23/259
9,624,962	B2 *	4/2017	Unseld	F16B 33/00
D786,661	S *	5/2017	Wright	D8/396
D793,853	S *	8/2017	Baiz	D8/397
D794,760	S *	8/2017	Morlet	D23/265
D795,399	S *	8/2017	Morlet	D23/265
D805,382	S *	12/2017	Baiz	D8/397
D806,520	S *	1/2018	Krombein	D8/354
D806,528	S *	1/2018	Bada	B60B 29/003 D8/397
10,030,930	B2 *	7/2018	Hill	F41A 21/485
D834,929	S *	12/2018	Wang	D8/382
D837,047	S *	1/2019	Lin	D8/397
D859,973	S *	9/2019	Foerster, Jr.	D8/397
D873,221	S *	1/2020	Thakare	D13/154
D878,194	S *	3/2020	Lee	D8/397
2015/0184687	A1 *	7/2015	Weis	B60B 3/16 411/373

* cited by examiner

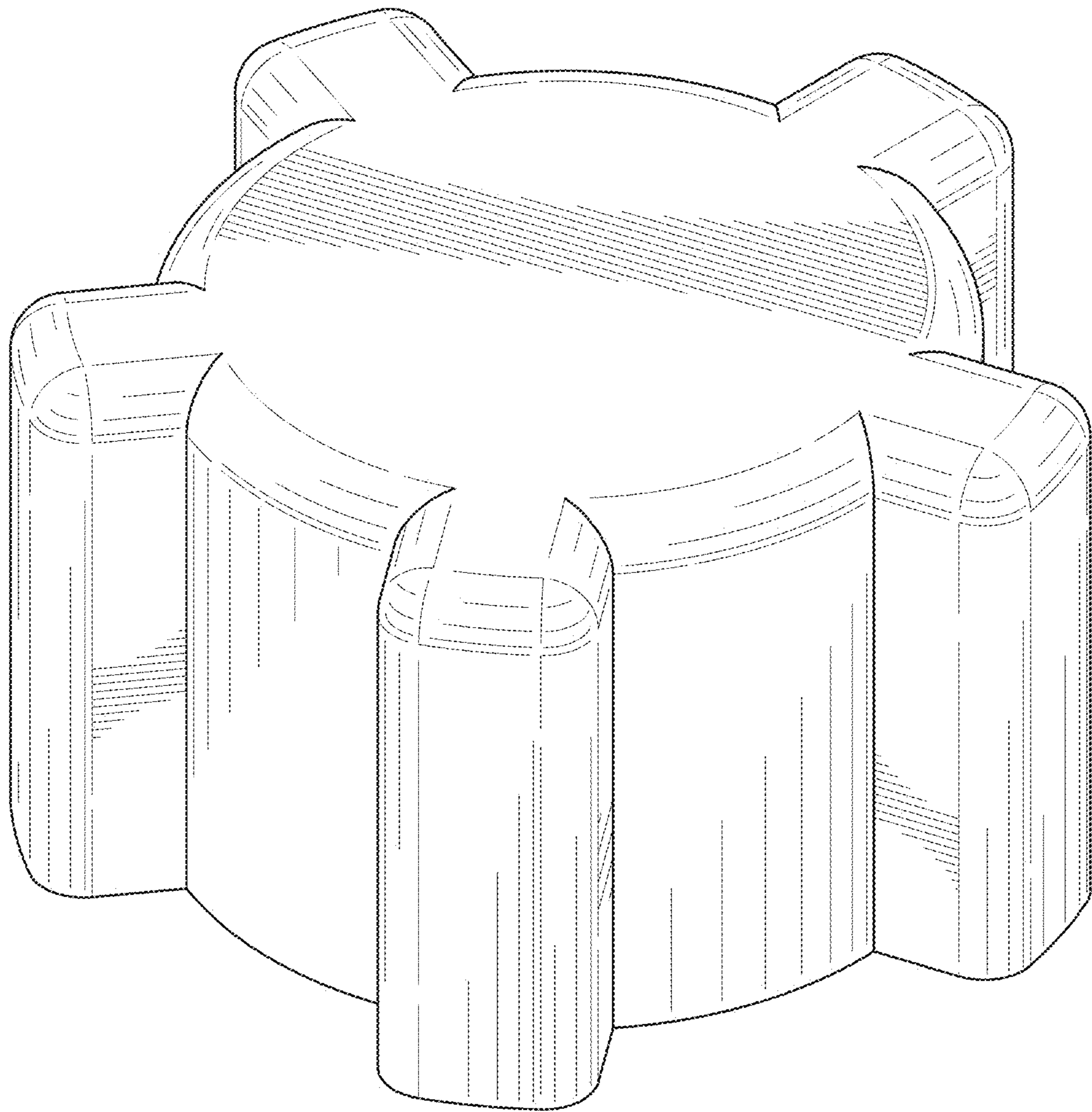


FIG. 1

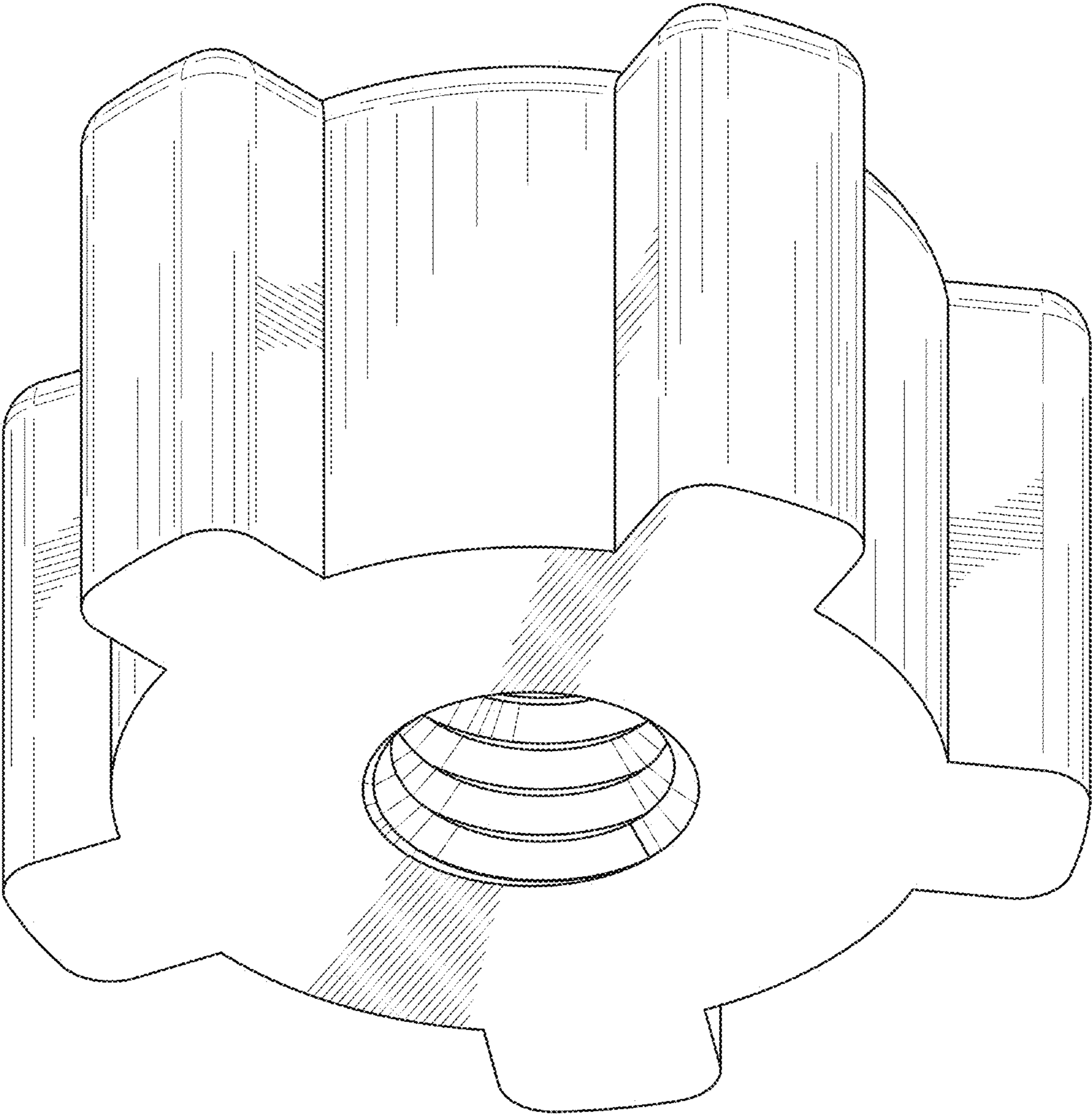


FIG. 2

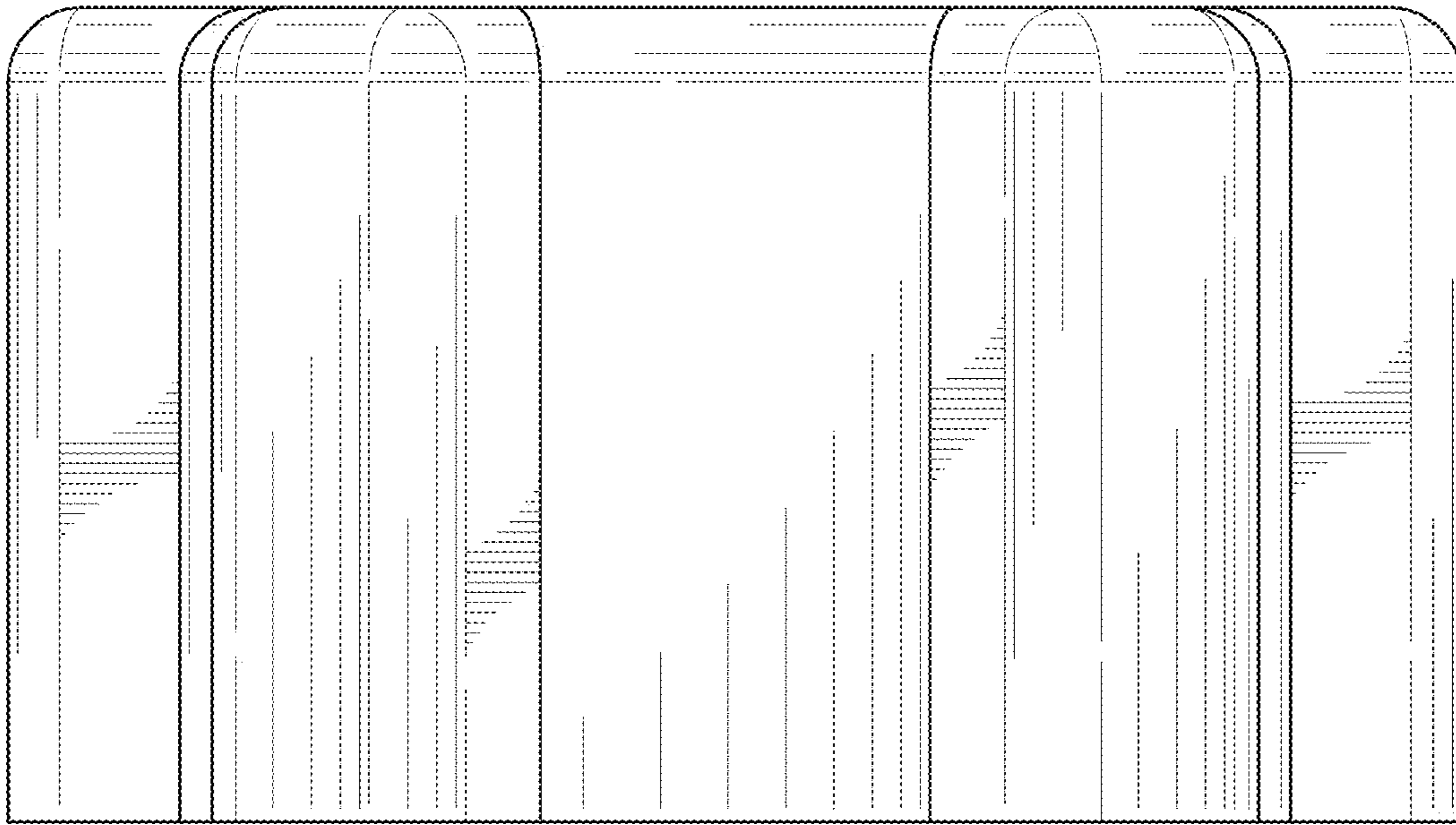


FIG. 3

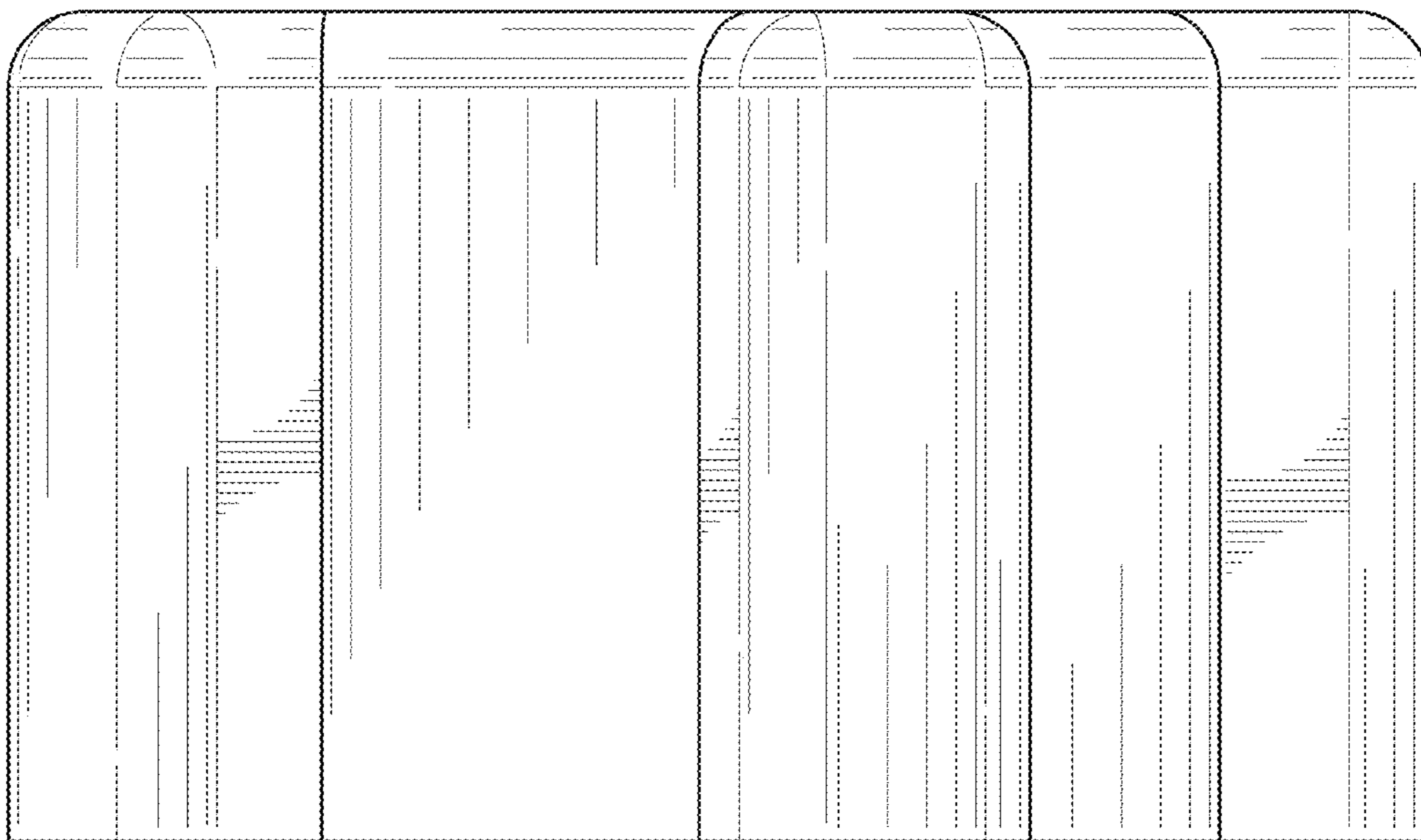


FIG. 4

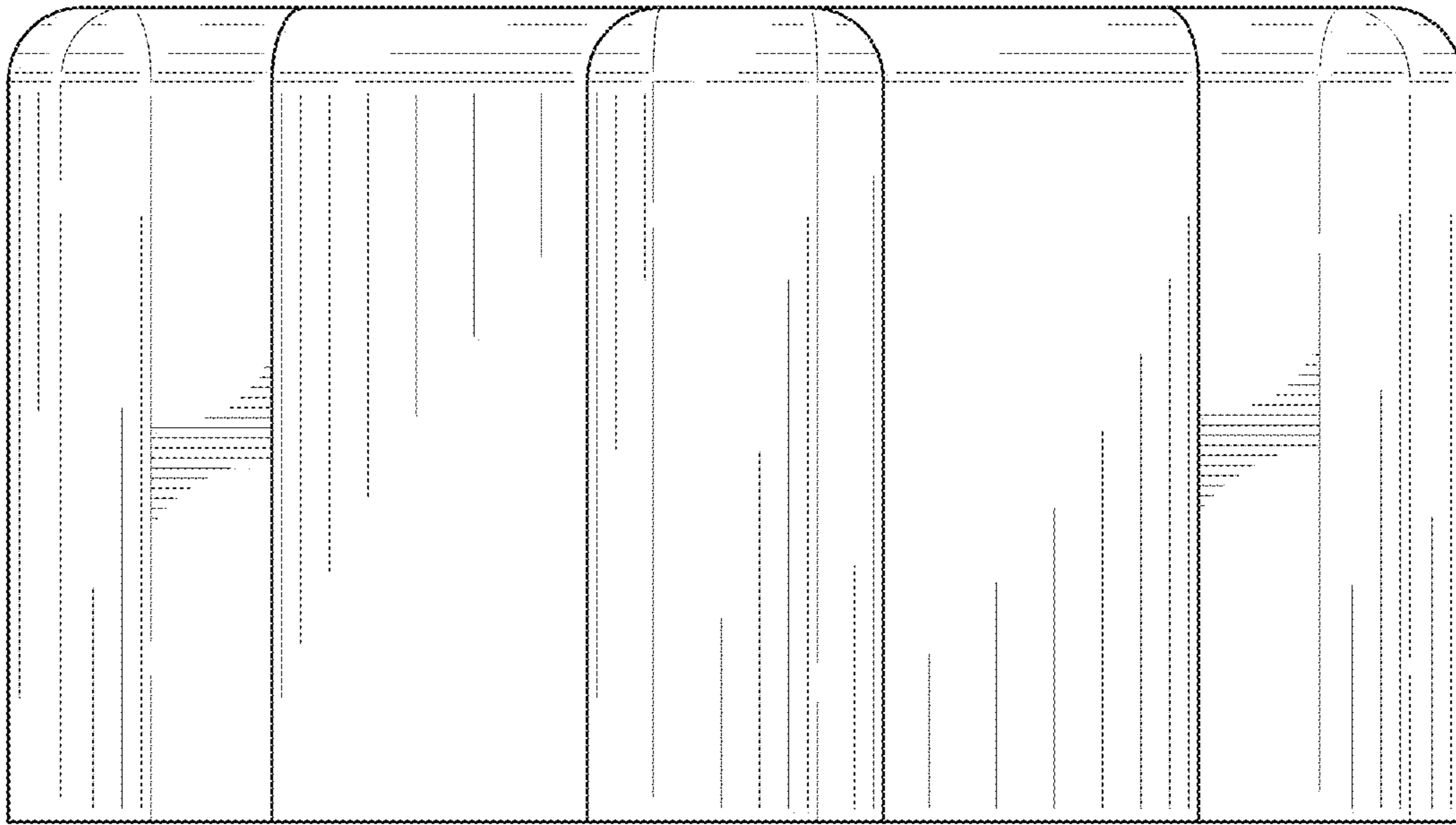


FIG. 5

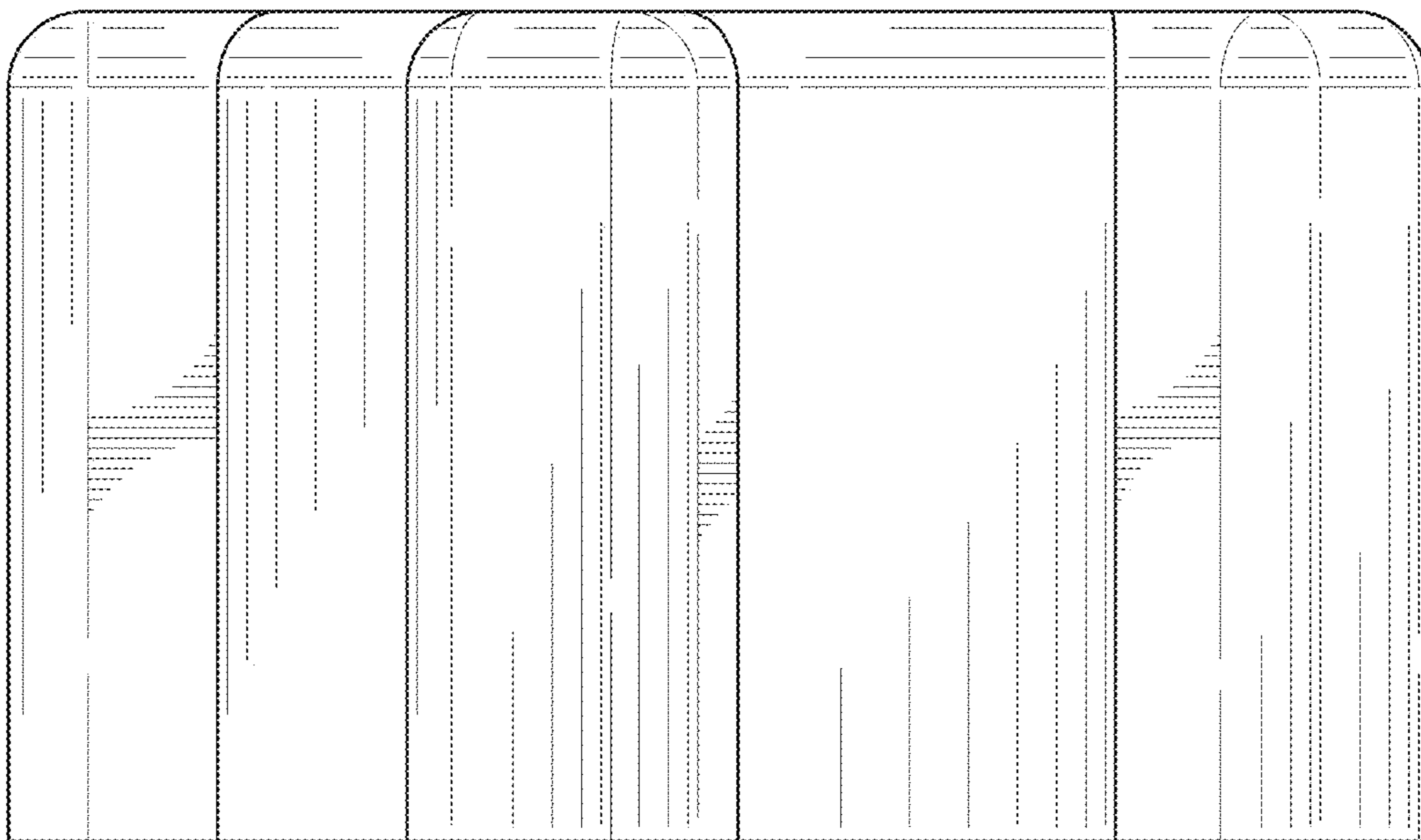


FIG. 6

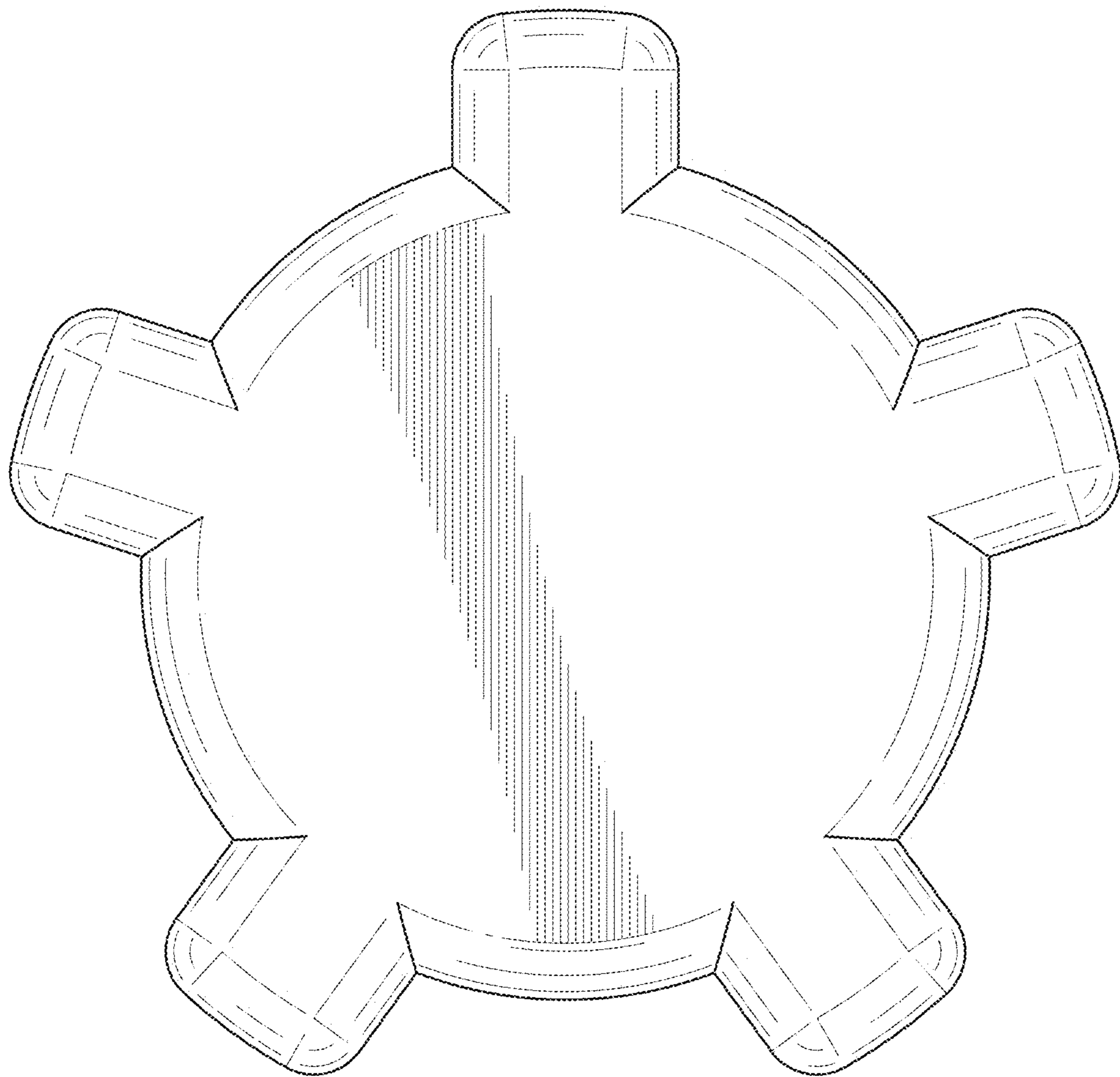


FIG. 7

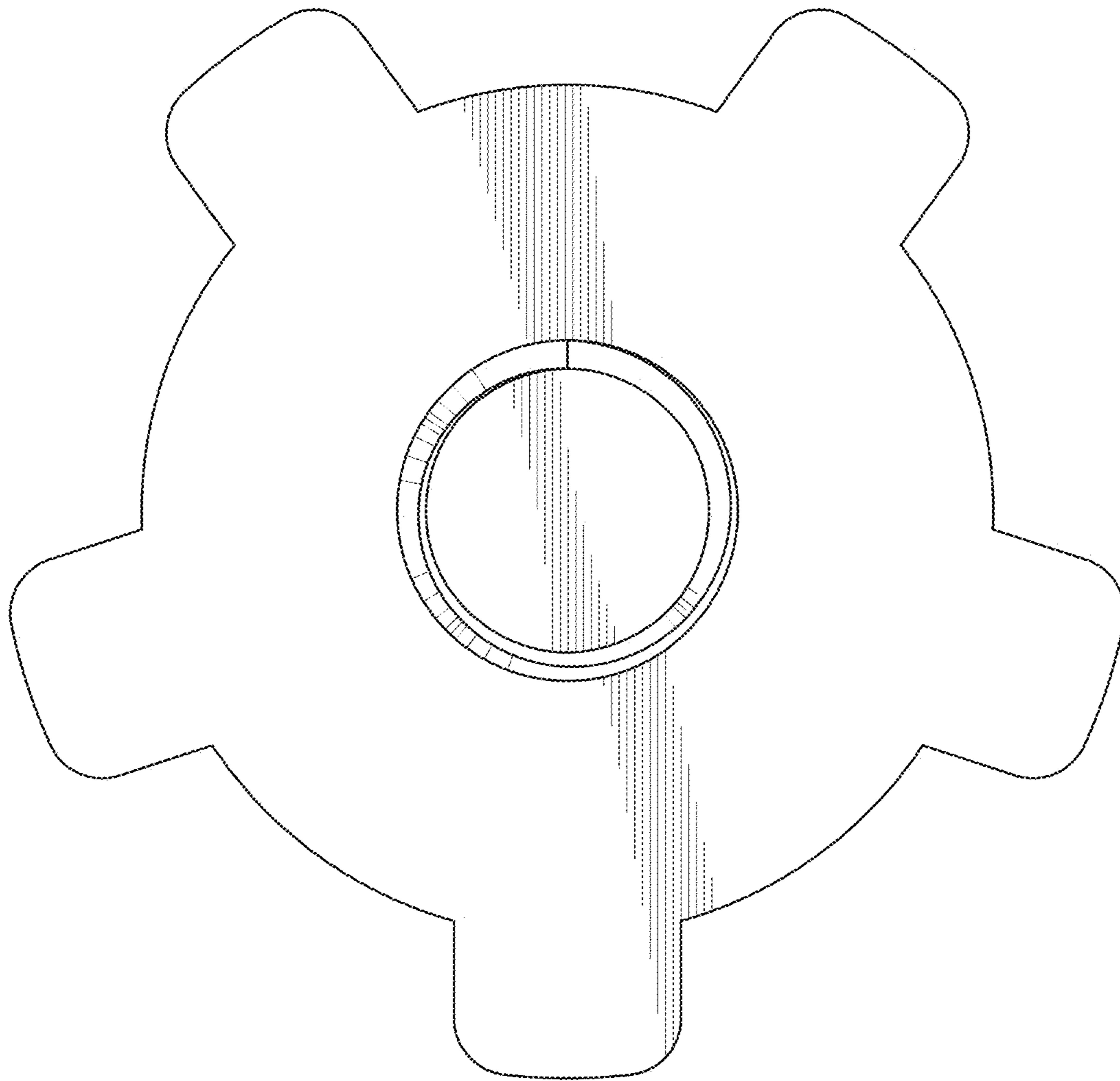


FIG. 8