



US00D903480S

(12) **United States Design Patent**
Schick

(10) **Patent No.:** **US D903,480 S**

(45) **Date of Patent:** **** Dec. 1, 2020**

- (54) **T-BOLT ANCHOR**
- (71) Applicant: **HOPS, Inc.**, Kutztown, PA (US)
- (72) Inventor: **Joseph Schick**, Kutztown, PA (US)
- (73) Assignee: **HOPS, Inc.**, Kutztown, PA (US)
- (**) Term: **15 Years**
- (21) Appl. No.: **29/693,828**
- (22) Filed: **Jun. 5, 2019**
- (51) **LOC (12) Cl.** **08-08**
- (52) **U.S. Cl.**
USPC **D8/397**; D8/382
- (58) **Field of Classification Search**
USPC D8/349, 354, 366, 381, 382, 385, 386,
D8/387, 396, 397, 398, 399
CPC F16B 39/22; F16B 39/225; F16B 39/24;
F16B 39/26; F16B 39/28; F16B 39/282;
A01K 1/06
See application file for complete search history.

- 4,813,809 A * 3/1989 Stratman F16B 2/10
248/500
 - D398,048 S * 9/1998 Casady D23/386
 - D398,835 S * 9/1998 Coll D8/354
 - D399,125 S * 10/1998 Blanchard D8/354
- (Continued)

OTHER PUBLICATIONS

<https://swapinc.com/products/dura-lock>, 1 page, Jul. 25, 2018, retrieved from Internet Archive Wayback Machine Southwest Agri-Plastics, Inc. DURA-LOCK Anchoring Systems <https://web.archive.org/web/20180725011223/https://swapinc.com/products/dura-lock/> on Sep. 21, 2020.

(Continued)

Primary Examiner — Sandra Snapp
Assistant Examiner — Ieisha N Price
(74) *Attorney, Agent, or Firm* — Clinton H. Wilkinson

(57) **CLAIM**

The ornamental design for a T-bolt anchor, as shown and described.

DESCRIPTION

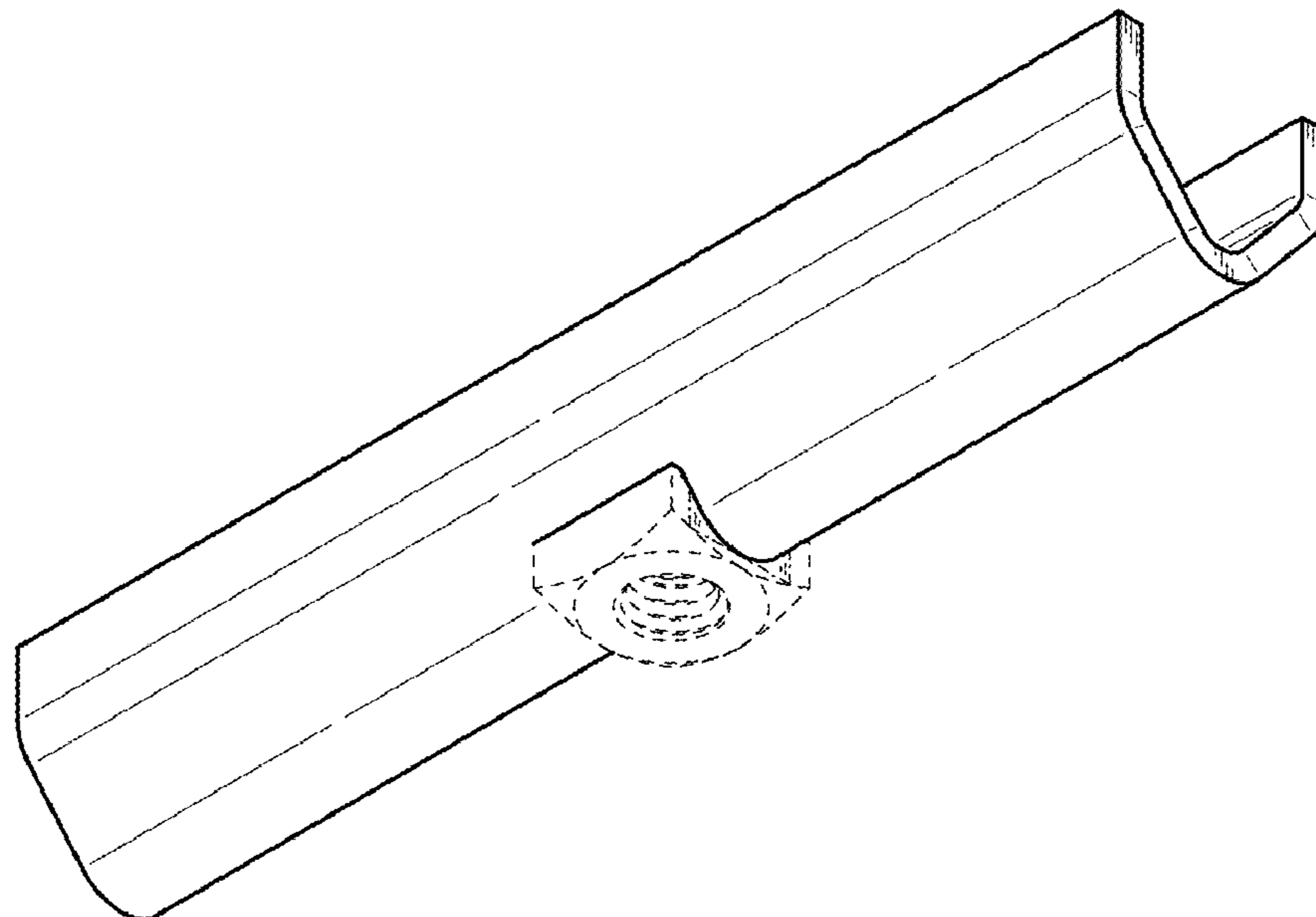
FIG. 1 is a top perspective view of a T-bolt anchor showing my new design.
FIG. 2 is a bottom perspective view thereof.
FIG. 3 is a bottom perspective view thereof with the parts of the design separated.
FIG. 4 is a top perspective view thereof.
FIG. 5 is a front view thereof, the back view being identical.
FIG. 6 is a right view thereof, the left view being identical.
FIG. 7 is a bottom view thereof; and,
FIG. 8 is another top perspective view thereof.
The broken line showing of the T-bolt and nut illustrates the environment of the claimed design and forms no part thereof. The dot-dash-dot broken lines in the drawings define the bounds of the claims and form no part thereof.

1 Claim, 3 Drawing Sheets

(56) **References Cited**

U.S. PATENT DOCUMENTS

- D29,156 S * 8/1898 Caldwell D12/223
- D59,346 S 10/1921 Gill
- 1,793,745 A * 2/1931 Norwood F16B 39/24
411/101
- 2,820,843 A * 1/1958 Dreher H01R 4/2495
174/87
- 3,141,221 A * 7/1964 Faulls, Jr. B65D 33/1666
24/30.5 R
- 4,075,924 A * 2/1978 McSherry F16B 13/0808
411/112
- D279,959 S * 8/1985 Nimmo D8/382
- 4,650,386 A * 3/1987 McSherry F16B 13/0808
411/340
- D297,702 S * 9/1988 Persson D8/14



(56)

References Cited

U.S. PATENT DOCUMENTS

6,161,999 A * 12/2000 Kaye F16B 13/0808
411/344

6,413,005 B1 7/2002 Massie

D461,657 S * 8/2002 Magnusson D8/381

D476,134 S * 6/2003 Miller D2/609

D481,001 S * 10/2003 Gaudron D12/215

D494,997 S * 8/2004 Weiler D18/40

D513,970 S * 1/2006 Sterling D8/381

D532,682 S * 11/2006 Maciag D8/387

D608,183 S * 1/2010 Meyer D8/354

D631,736 S 2/2011 You

D637,477 S * 5/2011 Wall D8/382

D639,646 S 6/2011 Finley, Jr.

D651,890 S * 1/2012 Gaudron D8/385

D653,524 S * 2/2012 Meyer D8/354

D698,634 S 2/2014 Oetlinger

D712,472 S * 9/2014 Yuval D19/65

D722,489 S 2/2015 Yamazaki

D733,545 S * 7/2015 Charette D8/387

D760,583 S * 7/2016 Weilage D8/396

D766,688 S * 9/2016 Cozzolino D8/42

D801,782 S * 11/2017 Wall D8/356

D805,375 S * 12/2017 Nehls D8/381

D821,188 S * 6/2018 Smullen D8/396

D824,756 S * 8/2018 Fischer D8/395

D850,504 S * 6/2019 Welter D15/149

D871,900 S * 1/2020 McDuff D8/385

D876,211 S * 2/2020 Wassdahl D8/382

D882,831 S * 4/2020 Carter D25/133

D883,078 S * 5/2020 Ma D8/394

2004/0170486 A1 * 9/2004 DeMeo F16B 13/0808
411/340

2011/0225793 A1 * 9/2011 Daniels A63B 29/024
29/428

2011/0268528 A1 * 11/2011 Gaudron F16B 13/0808
411/44

2014/0017031 A1 * 1/2014 Prichard F16B 13/0808
411/204

2014/0250825 A1 9/2014 Richardson

2016/0264198 A1 * 9/2016 Lorenzo F16B 43/00

2017/0307000 A1 * 10/2017 Daly F16B 13/0808

2018/0347615 A1 * 12/2018 Martin F16B 2/245

2019/0136539 A1 * 5/2019 Davis E06C 1/381

OTHER PUBLICATIONS

<https://www.farmerboyag.com/cast-iron-t-holt-kits>, 1 page Feb. 20, 2018, retrieved from Internet Archive Cast Iron T-Bolt Wedge Kit Wayback Machine <https://web.archive.org/web/20180220211336/http://www.farmerboyag.com/cast-iron-t-bolt-kits> on Sep. 21, 2020.

<https://www.hogslat.com/t-bolt-package-stainless-steel>, 3 pages, Jun. 20, 2018, retrieved from Internet Archive HOG SLAT T-Bolt Package—Stainless Steel Wayback Machine <https://web.archive.org/web/20180620061230/http://www.hogslat.com/t-bolt-package-stainless-steel> on Sep. 21, 2020.

<http://eipmfg.com/products/Misc-Stall-Parts/Double-T-Bolt-P131C68.aspx> EIP Manufacturing Quality Fabricated Steel Products Double T-Bolt 2 pages Available as a publication as of Mar. 14, 2019 Date of retrieval Jan. 24, 2020.

<http://www.vittetoe.com/hardware> VITTETOE Inc.J-BOLTS, 5 pages, Jun. 10, 2018, retrieved from Internet Archive Wayback Machine <https://web.archive.org/web/20180610194216/https://www.vittetoe.com/hardware> on Sep. 21, 2020.

<http://sdimg.com/products/hardware/t-bolts>, 1 page, Apr. 6. 2017. retrieved from Internet Archive Wayback Machine SDI T-Bolts <https://web.archive.org/web/20200222162846/http://sdimg.com/products/hardware/t-bolts> on Sep. 21, 2020.

* cited by examiner

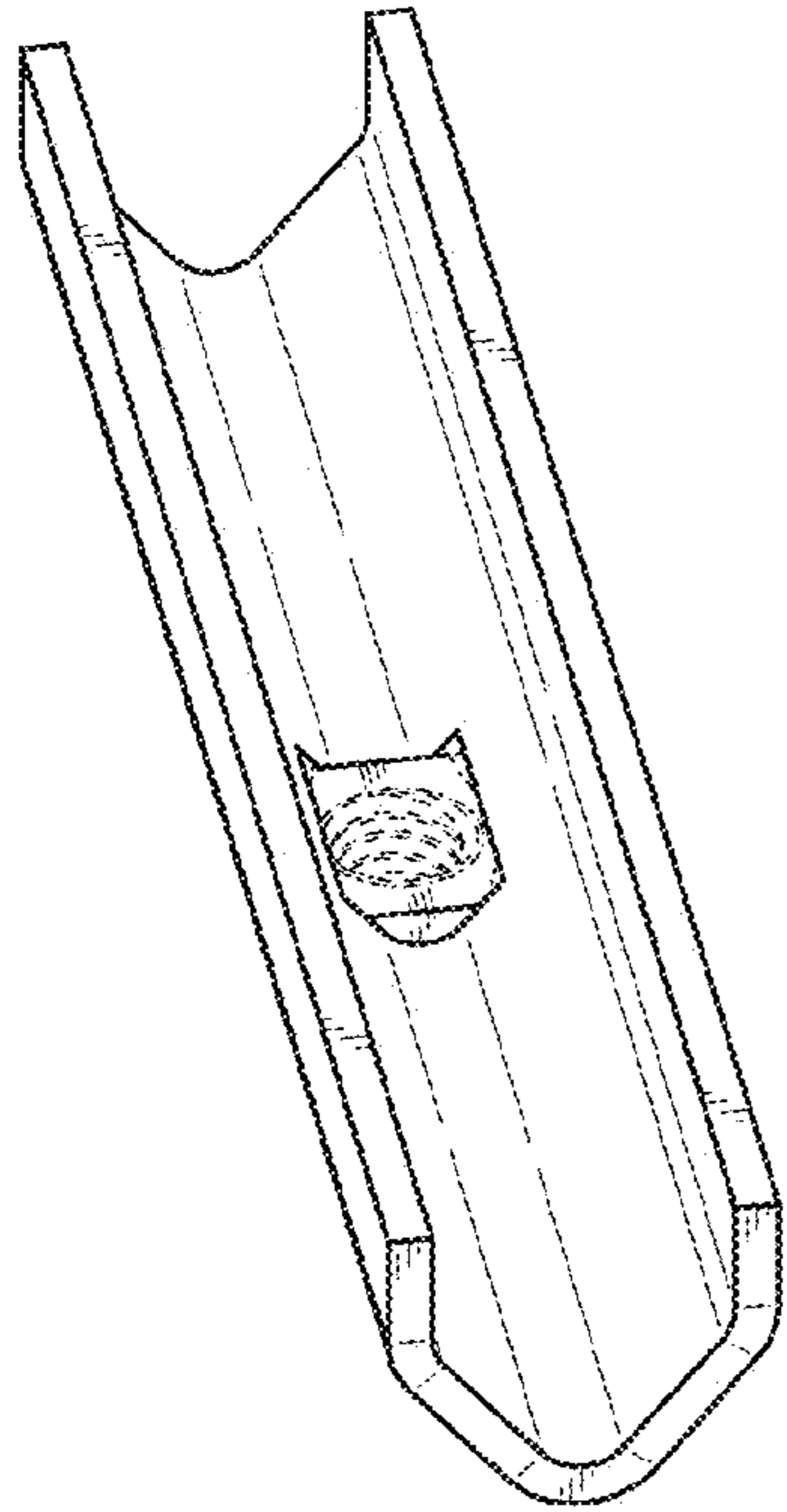


FIG. 1

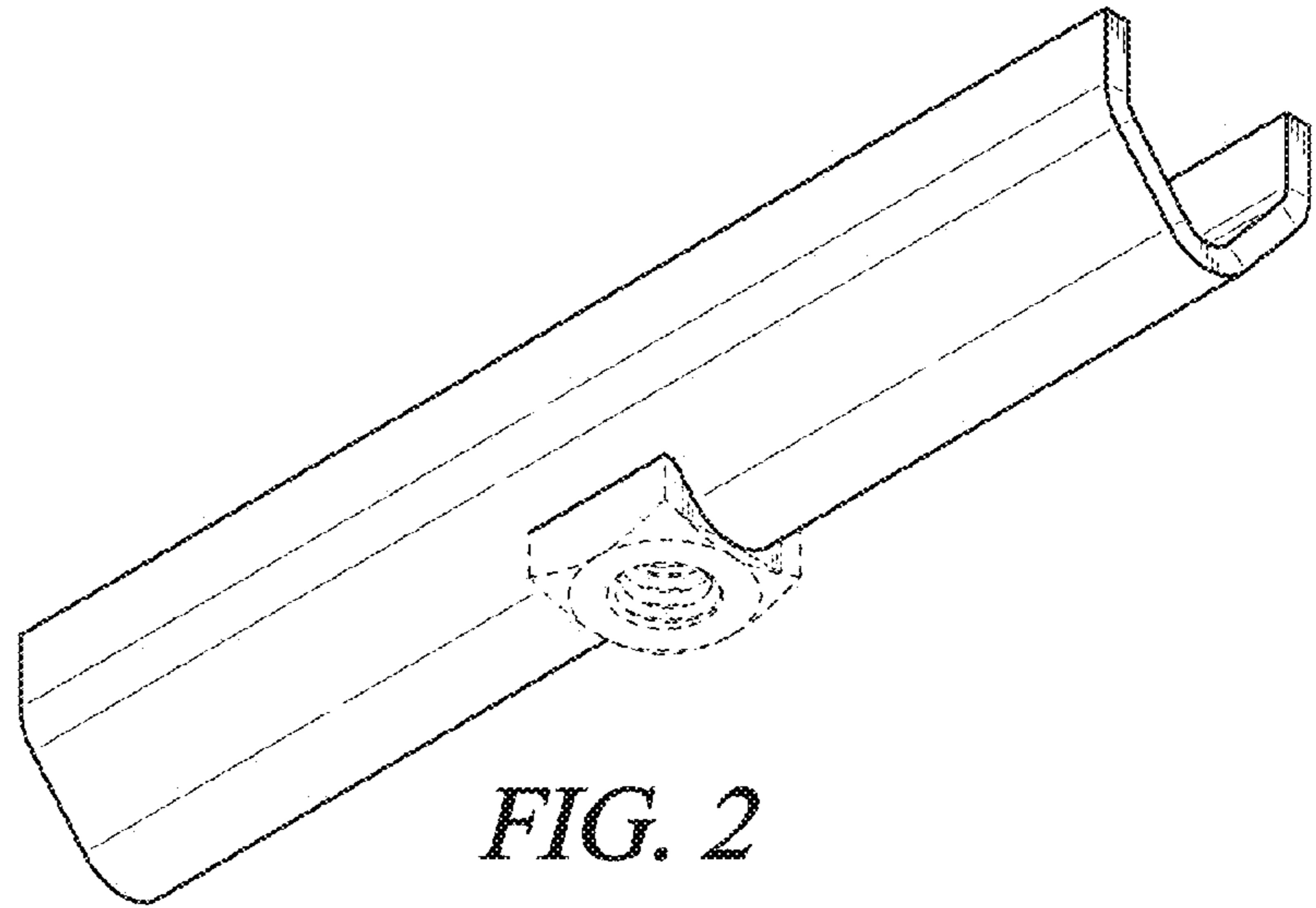


FIG. 2

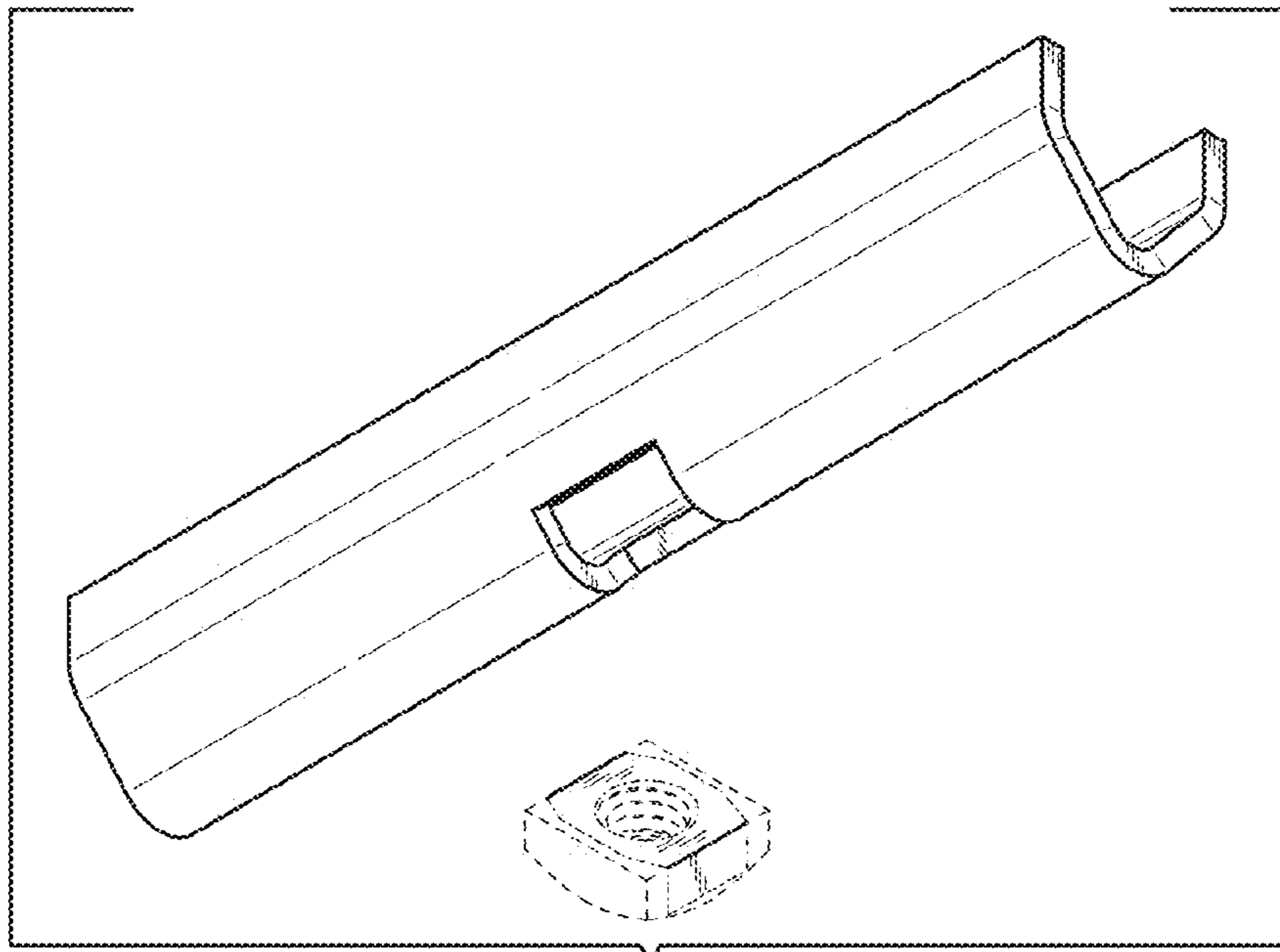


FIG. 3

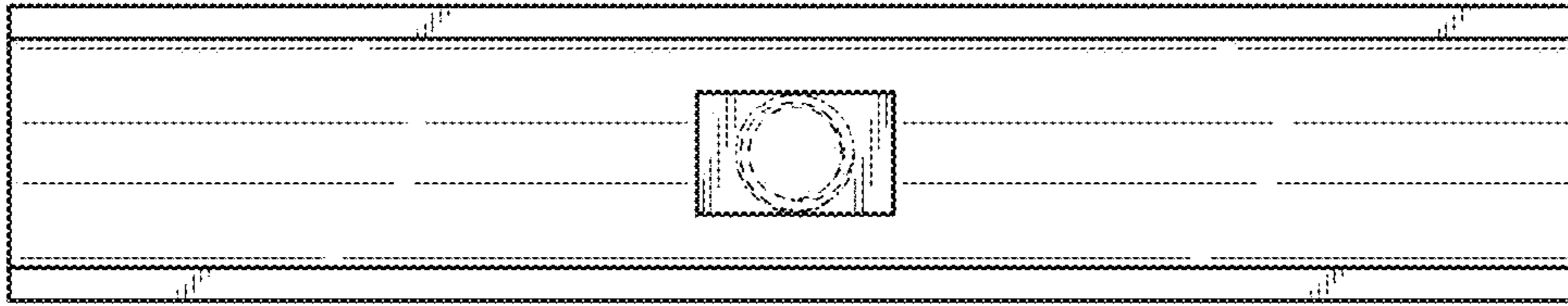


FIG. 4

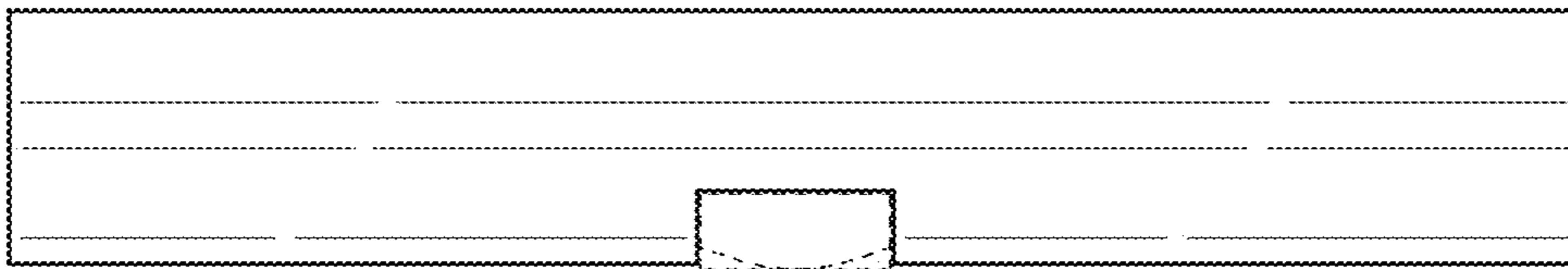


FIG. 5

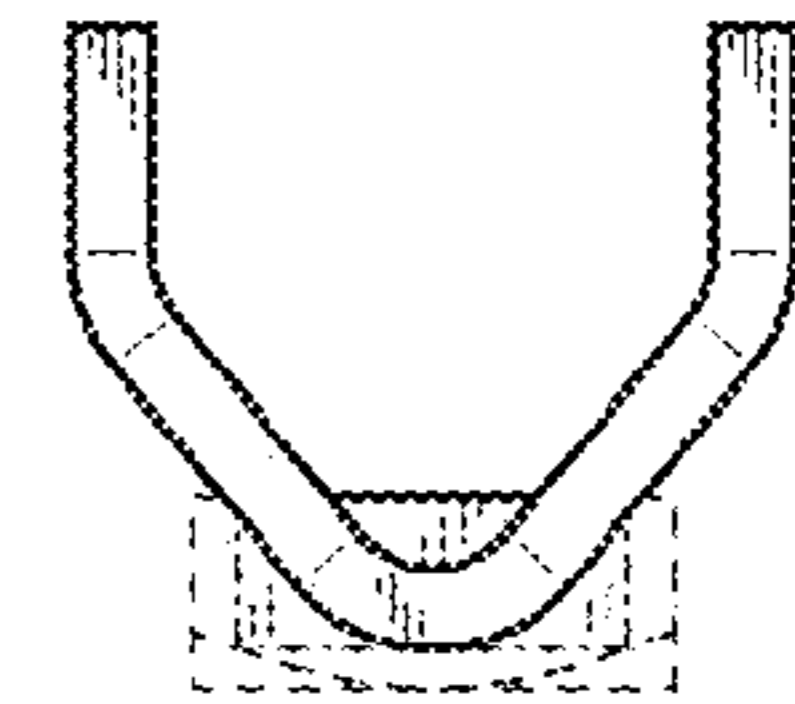


FIG. 6

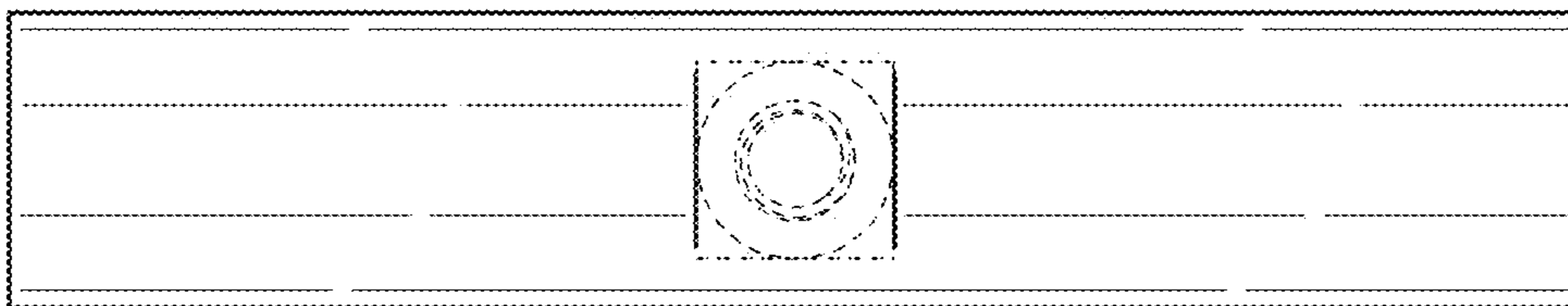


FIG. 7

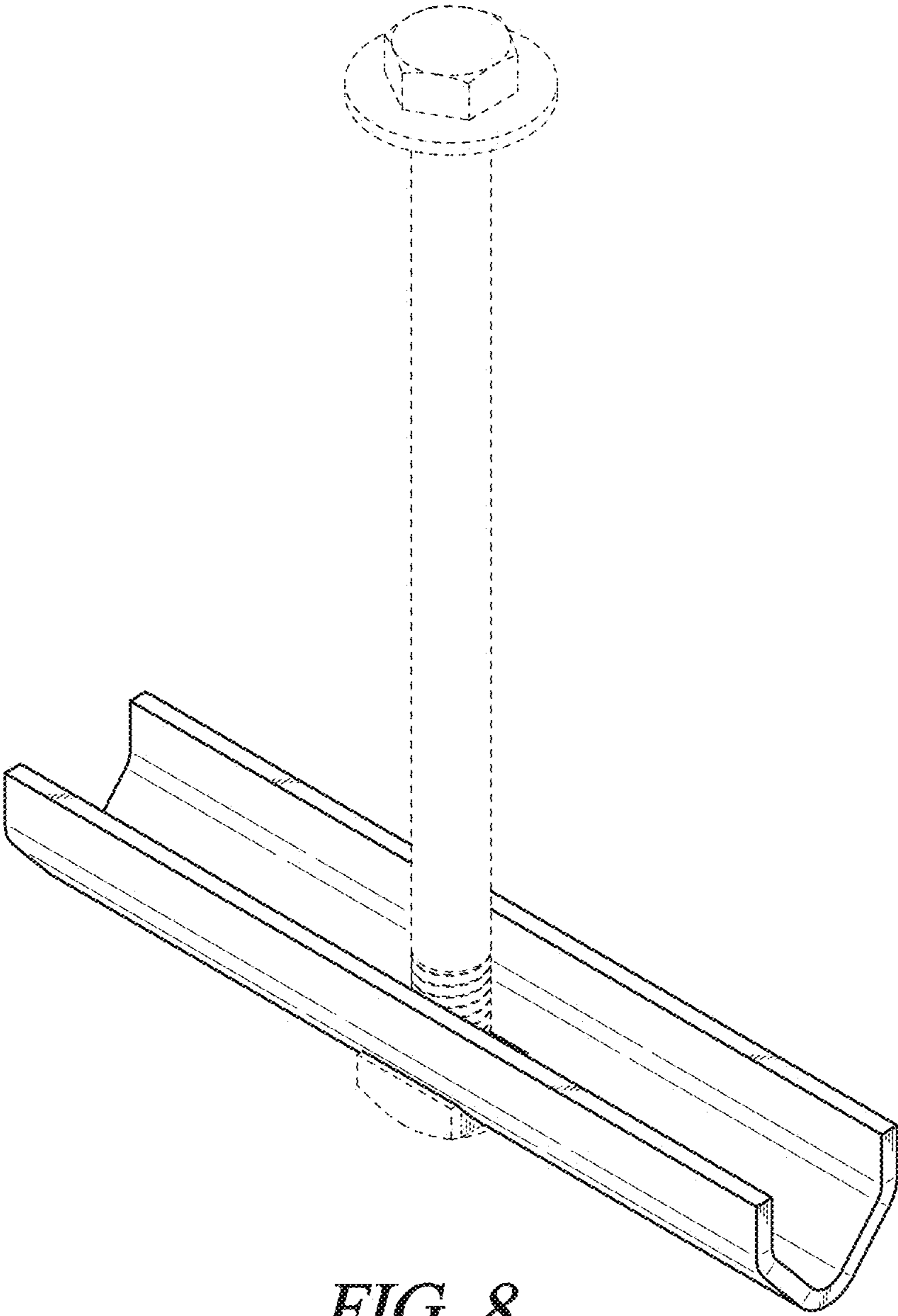


FIG. 8