



US00D903478S

(12) **United States Design Patent** (10) **Patent No.:** **US D903,478 S**
Poirier et al. (45) **Date of Patent:** **** Dec. 1, 2020**

(54) **POSITIONING CLIP** 2,328,977 A 2/1941 Hasenburger et al.
2,236,258 A * 3/1941 Burson E04F 13/0841
(71) Applicant: **Eldorado Stone Operations, LLC,** 52/285.3
South Jordan, UT (US) 2,258,574 A * 10/1941 Leary E04F 13/0841
(72) Inventors: **Jeffrey D. Poirier,** Edmonds, WA (US); 52/362
Jakob W. H. Harris, Kirkland, WA
(US) 2,338,328 A 10/1941 Handel
2,292,984 A * 8/1942 Alvarez, Jr. E04F 13/0846
52/471
(Continued)

(73) Assignee: **Eldorado Stone Operations, LLC,**
South Jordan, UT (US)

(**) Term: **15 Years**

(21) Appl. No.: **29/659,835**

(22) Filed: **Aug. 13, 2018**

(51) **LOC (12) Cl.** **08-08**

(52) **U.S. Cl.**
USPC **D8/394**

(58) **Field of Classification Search**
USPC D8/382, 384, 385, 394, 396; D25/102,
D25/119, 199; D20/43, 44; D6/512, 513
CPC ... E04B 9/008; E04B 9/18; E04B 9/20; E04B
9/205; E04B 1/4178; E04B 1/4185; E04F
13/0801; E04F 13/0812; E04F 13/0814;
E04F 13/0816; E04F 13/0835; E04F
13/0841; E04F 13/0846; E04F 13/0862;
E04F 13/21

See application file for complete search history.

(56) **References Cited**

U.S. PATENT DOCUMENTS

1,052,670 A 2/1913 Francis
2,005,030 A 6/1935 Geisinger
2,054,511 A 9/1936 Hornicek
2,104,085 A 1/1938 Leland
2,245,785 A 6/1939 Jentzer, Jr.
2,171,221 A 8/1939 Maus
2,300,258 A 10/1939 Kublanow
2,200,649 A 5/1940 Wardle

FOREIGN PATENT DOCUMENTS

CA 2523497 A1 10/2004
CA 2725962 A1 2/2009

(Continued)

OTHER PUBLICATIONS

Building Stone Institute, "Recommended Best Practices," Jan. 1,
2010.

(Continued)

Primary Examiner — Llorelys Martinez
(74) *Attorney, Agent, or Firm* — Bookoff McAndrews,
PLLC

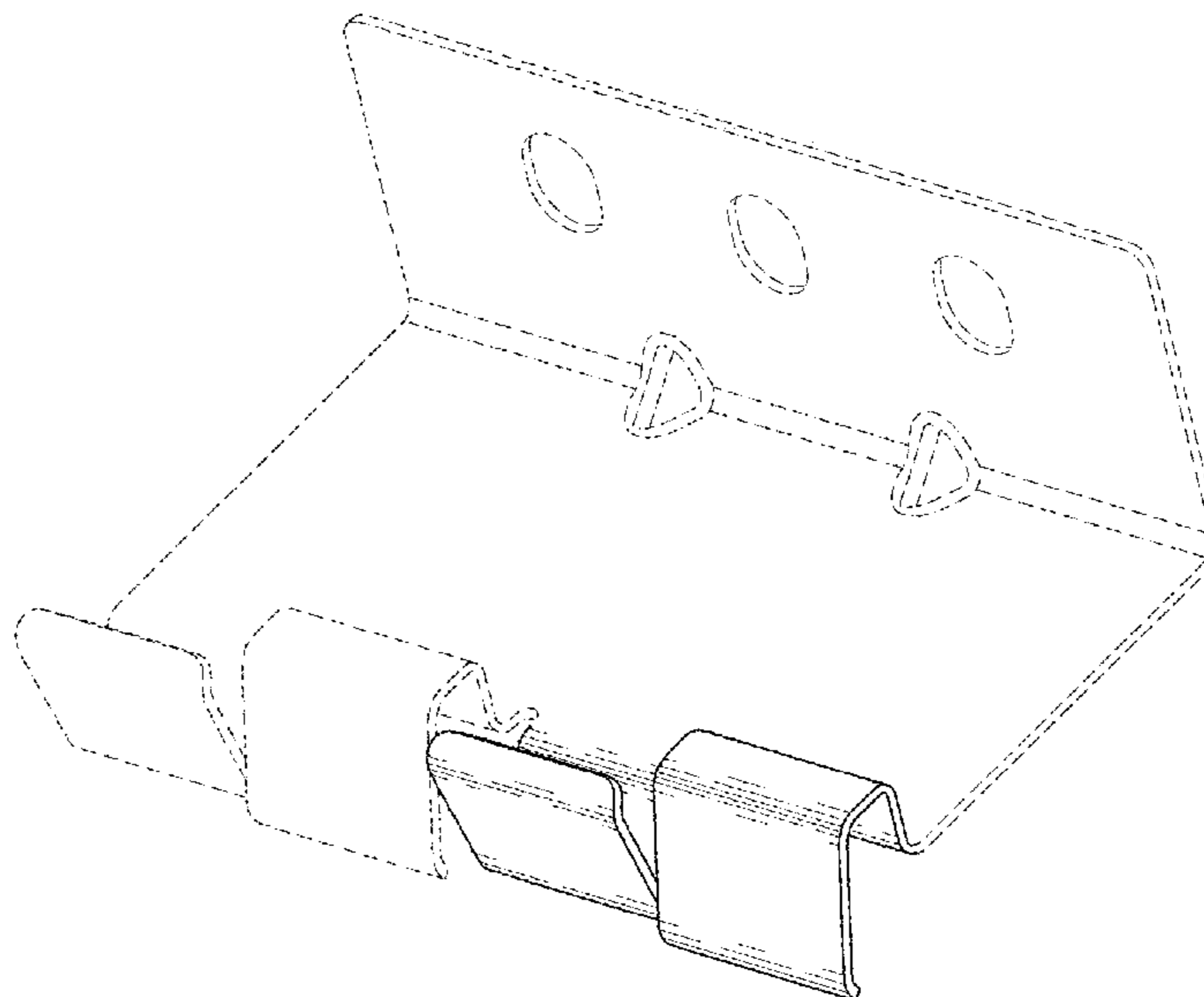
(57) **CLAIM**

The ornamental design for a positioning clip, as shown as
described.

DESCRIPTION

FIG. 1 is a front perspective view of the positioning clip;
FIG. 2 is a front view thereof;
FIG. 3 is a back view thereof;
FIG. 4 is a right side view thereof;
FIG. 5 is a left side view thereof;
FIG. 6 is a top view thereof; and,
FIG. 7 is a bottom view thereof.
The broken lines in the drawings represent portions of the
positioning clip that form no part of the claimed design.

1 Claim, 5 Drawing Sheets



(56)

References Cited

U.S. PATENT DOCUMENTS

2,470,369 A * 5/1949 Radeke E04F 13/0841
52/506.06
2,799,058 A * 7/1957 Swenson E04F 13/0846
403/42
2,832,102 A 4/1958 Amoruso
2,900,677 A 8/1959 Yetter
3,015,193 A 1/1962 Amoruso
3,266,209 A 8/1966 Zibell
3,319,983 A 5/1967 Zibell
3,478,480 A 11/1969 Swenson
3,594,028 A 7/1971 Scott
3,786,605 A 1/1974 Winfrey
3,975,875 A * 8/1976 Goss, Jr. E06B 1/64
D25/119
4,009,549 A 3/1977 Hala
4,361,998 A 12/1982 Ellison et al.
4,538,391 A 9/1985 Skrabis et al.
4,703,601 A 11/1987 Abendroth
5,086,602 A 2/1992 Pukas
5,167,106 A 12/1992 Ohno
5,265,396 A 11/1993 Amimoto
D342,579 S 12/1993 Mason
5,301,484 A 4/1994 Jansson
5,379,561 A 1/1995 Saito
D363,132 S 10/1995 Simon
5,501,050 A 3/1996 Ruel
5,619,834 A 4/1997 Chen
5,657,593 A 8/1997 Eriksen
5,673,529 A 10/1997 Treister et al.
5,694,727 A 12/1997 Dobija
5,881,522 A 3/1999 Dobija
6,170,214 B1 1/2001 Treister et al.
D449,776 S * 10/2001 Barnett D8/382
6,315,489 B1 11/2001 Watanabe
6,351,922 B1 3/2002 Burns et al.
6,402,419 B1 6/2002 Watanabe
D463,170 S * 9/2002 Schultz D8/403
6,484,465 B2 11/2002 Higgins
6,598,362 B2 7/2003 Hikai
6,843,032 B2 1/2005 Hikai
D513,535 S * 1/2006 Fischer D25/119
7,096,629 B1 8/2006 Cox
D538,948 S 3/2007 Thimons et al.
7,237,368 B2 7/2007 Richardson et al.
7,469,511 B2 12/2008 Wobber
D591,585 S 5/2009 Hikai
7,596,911 B2 10/2009 Turco
D610,899 S 3/2010 Hikai
7,748,188 B2 7/2010 Ito
8,256,179 B2 9/2012 Nasvik
8,322,103 B1 12/2012 Kownacki
8,407,895 B2 4/2013 Hartelius et al.
8,429,866 B2 4/2013 Knight et al.
8,511,024 B2 8/2013 MacDonald et al.
8,567,145 B1 10/2013 Chauncey
D693,484 S 11/2013 Krieger
D697,394 S 1/2014 Lengacher et al.
8,806,838 B2 8/2014 Shin

8,839,587 B2 9/2014 Hohmann, Jr.
8,904,725 B2 12/2014 Hohmann, Jr.
8,904,726 B1 12/2014 Hohmann, Jr.
9,109,352 B1 8/2015 Knudson
9,267,295 B2 2/2016 Mann
2004/0074188 A1 * 4/2004 Beck E04F 13/0846
52/522
2006/0272261 A1 * 12/2006 Ito E04F 13/0846
52/586.1
2007/0151190 A1 7/2007 Huff et al.
2007/0175159 A1 8/2007 Minitier
2008/0196339 A1 * 8/2008 Van Der Lee E04F 13/0846
52/282.3
2008/0216444 A1 9/2008 Loyd
2009/0272055 A1 11/2009 Griffiths
2010/0192495 A1 8/2010 Huff et al.
2012/0117904 A1 5/2012 Bouchard et al.
2013/0326991 A1 12/2013 Chauncey

FOREIGN PATENT DOCUMENTS

CA 2785435 A1 2/2013
CA 2871377 A1 5/2015
CA 2895626 A1 2/2016
CN 103526907 B 11/2015
DE 2749230 A1 5/1979
DE 3514731 A1 10/1986
DE 102009004689 A1 7/2010
EP 0275145 A2 7/1988
EP 0288376 A1 10/1988
EP 1621698 A2 2/2006
EP 2330260 A2 6/2011
FR 2597138 B1 8/1991
FR 2836499 A1 8/2003
WO WO 9408106 A1 4/1994
WO WO 2007/069027 6/2007

OTHER PUBLICATIONS

“Fast Track Stone™: Masonry Support System,” Masonry Resources, masonryresources.com, Aug. 2013, available at <http://www.masonryresources.com/wp-content/uploads/2016/06/fast-track-manuel.pdf>.
http://www.steelconstruction.info/Facades_and_interfaces, Sep. 17, 2013.
Stringham, Adrien, “Facade Cladding Team: ERZ Building Technology 4, Moniruz Zaman, Elvis Chatierpaul, Rachida Metal Panel, Rigid Insulation Stone veneer Panels,” SlidePlayer, slideplayer.com, 2015, available at <http://slideplayer.com/slide/1719406/>.
“Less is More with Lightweight Honeycomb Reinforced Stone and Porcelain Panels,” Continuing Education Center, continuingeducation.bnppmedia.com, Aug. 2015, available at <https://continuingeducation.bnppmedia.com/courses/terracore-panels/less-is-more-with-lightweight-honeycomb-reinforced-stone-and-porcelain-panels/>.
“Stone Slab Veneer / Reinforced Concrete Block,” Skyline Brick, skylinebrick.com, accessed: Apr. 2016, available at <http://www.skylinebrick.com/wall-systems/cavity-wall-stone-slab-veneer-reinforced-concrete-block.php>.

* cited by examiner

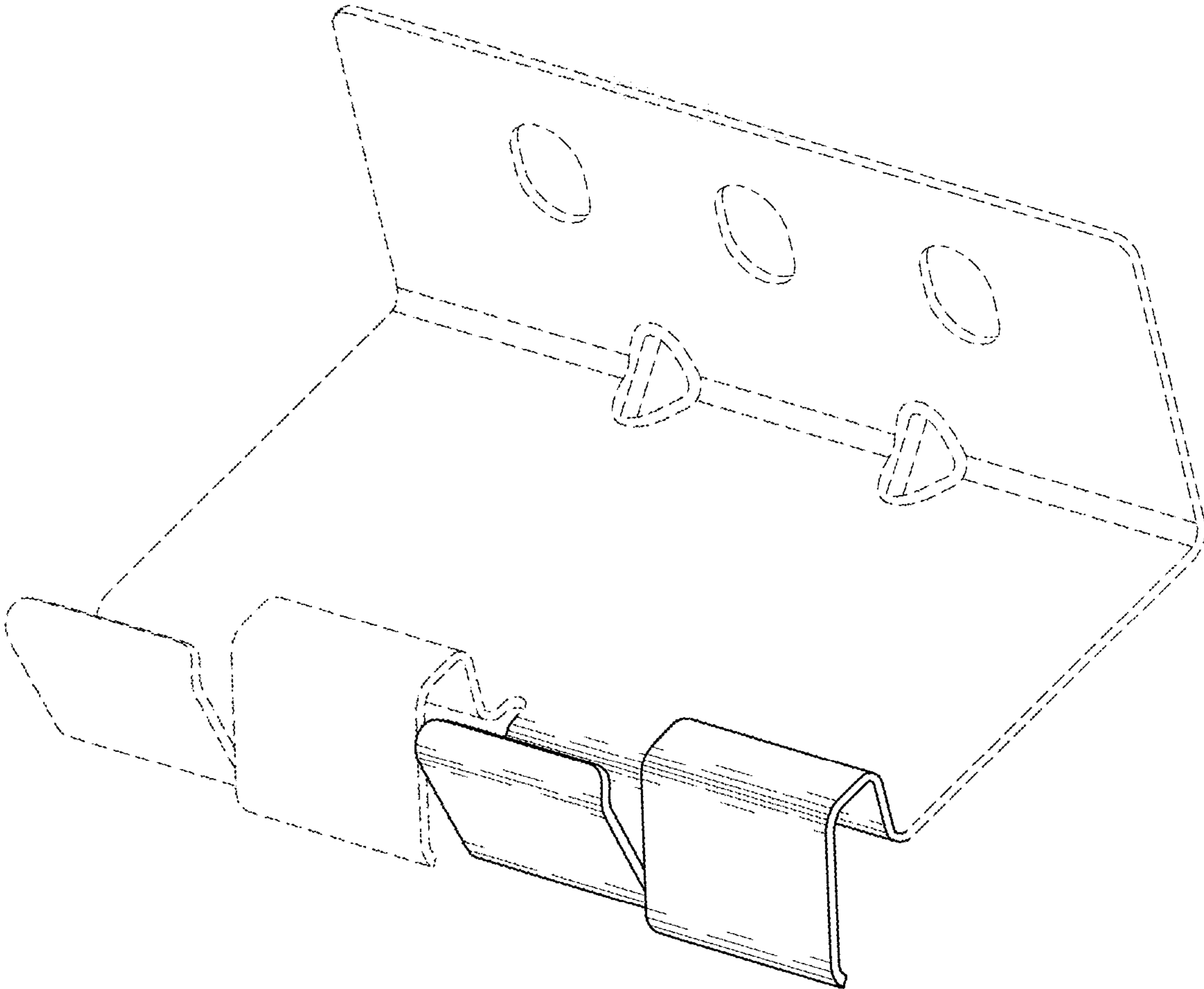


FIG. 1

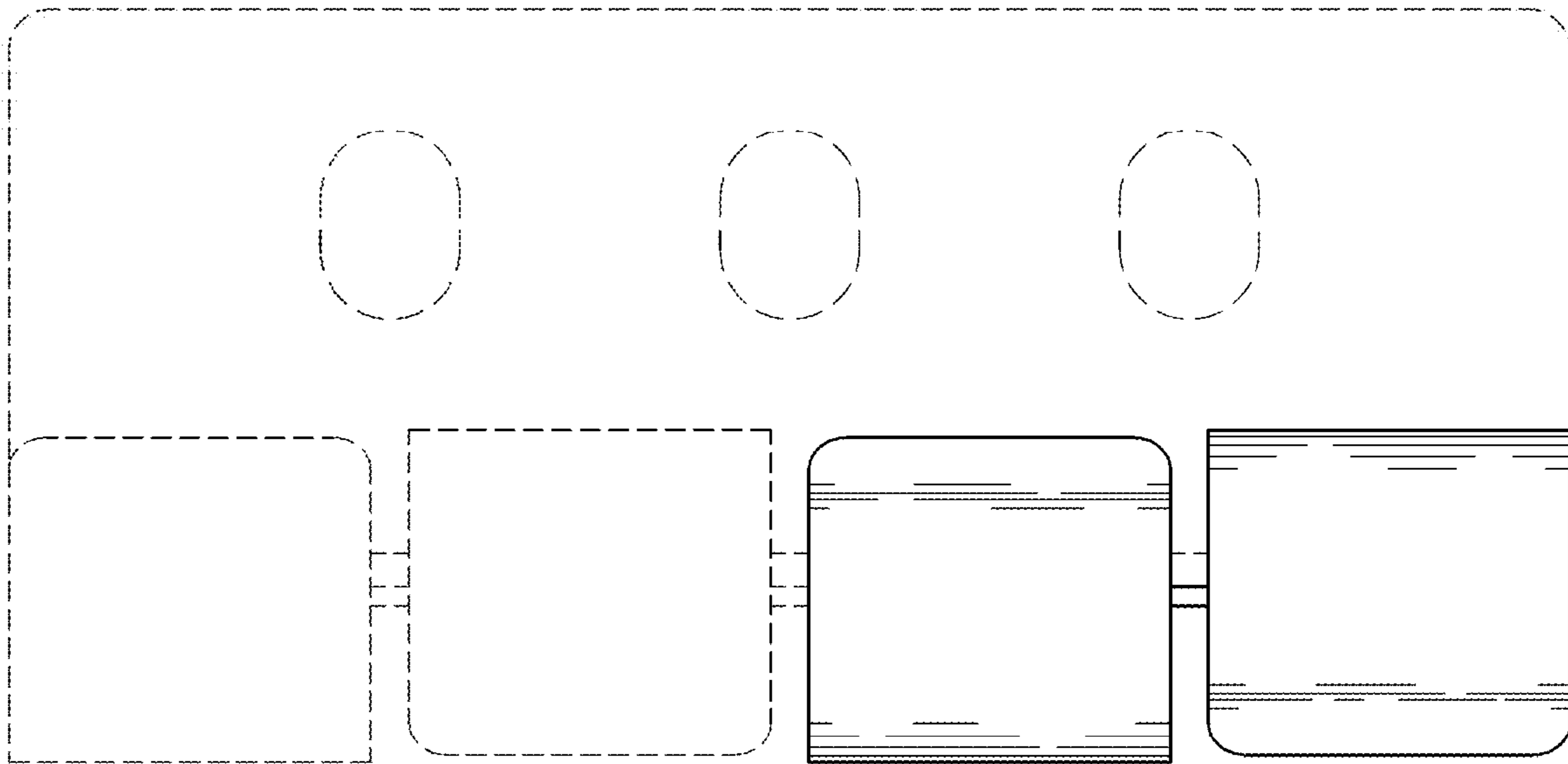


FIG. 2

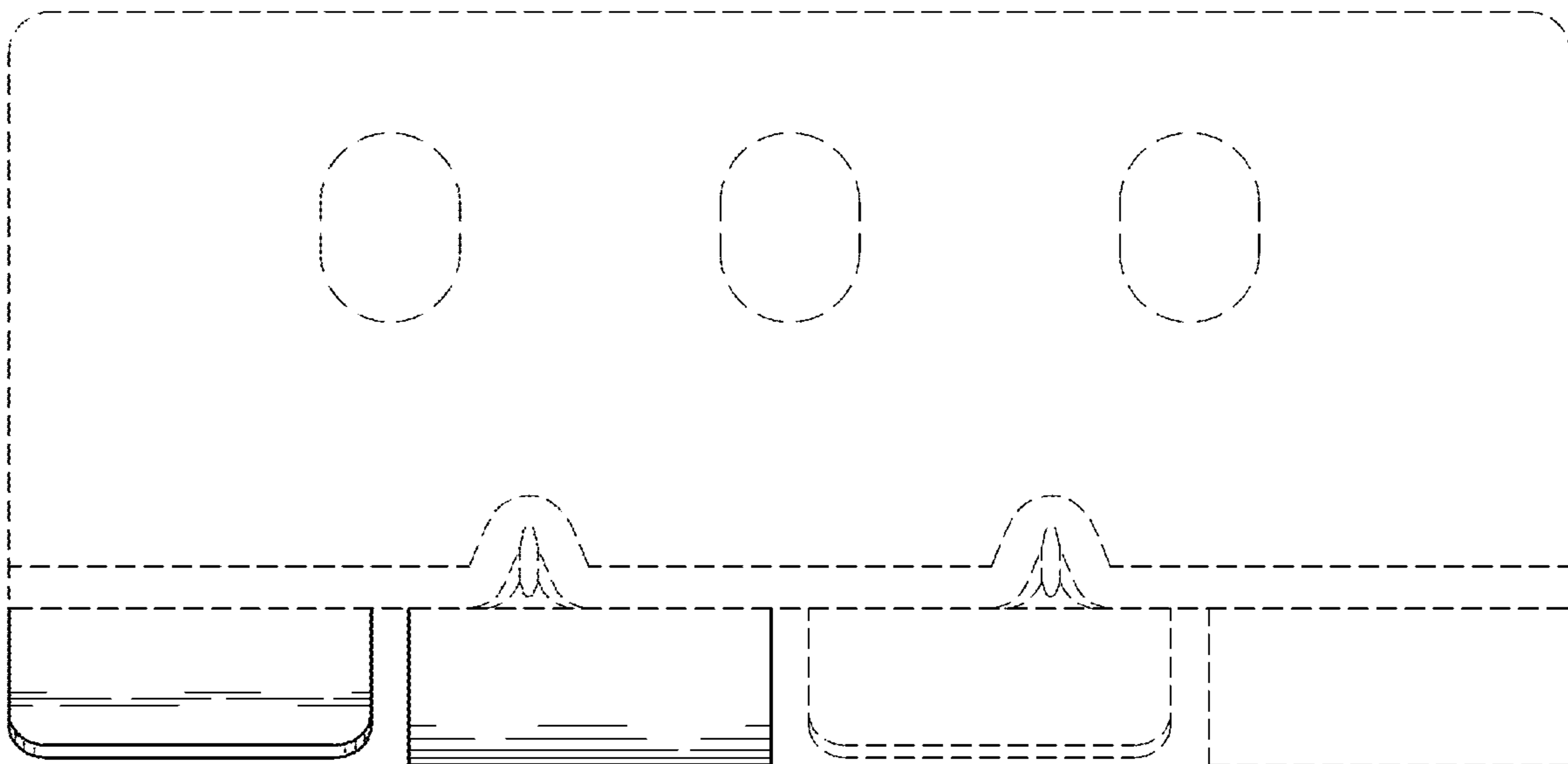


FIG. 3

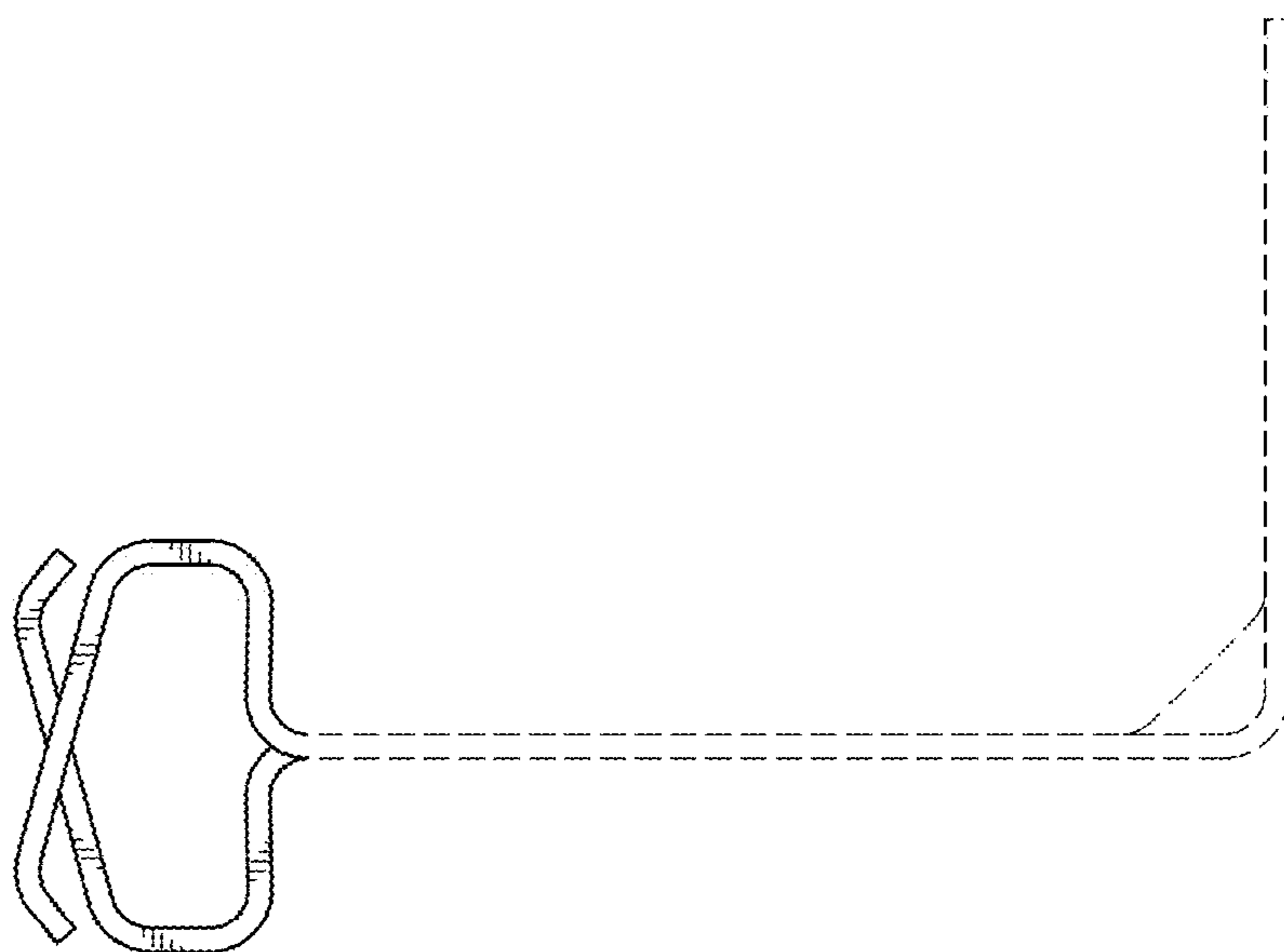


FIG. 4

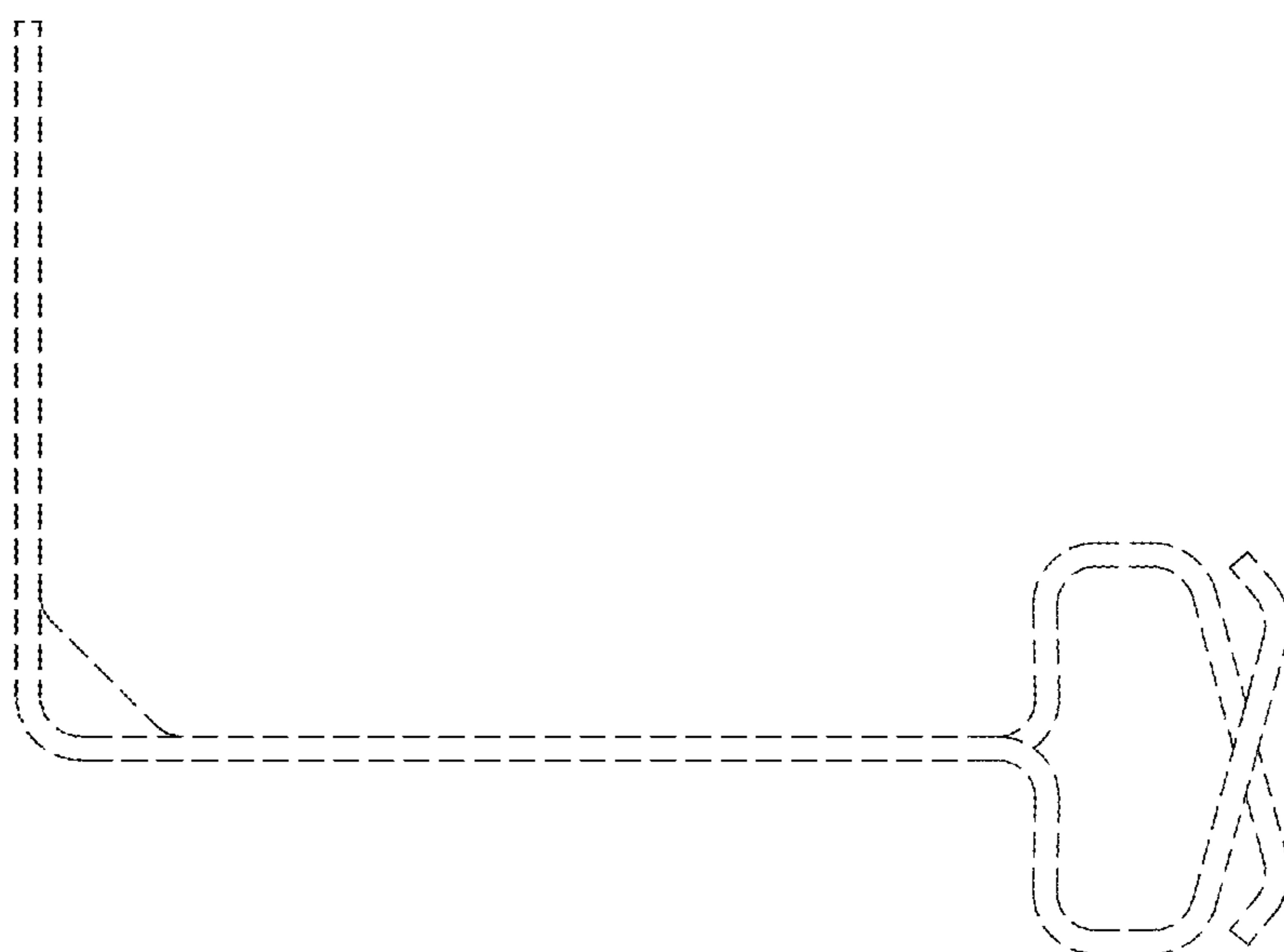


FIG. 5

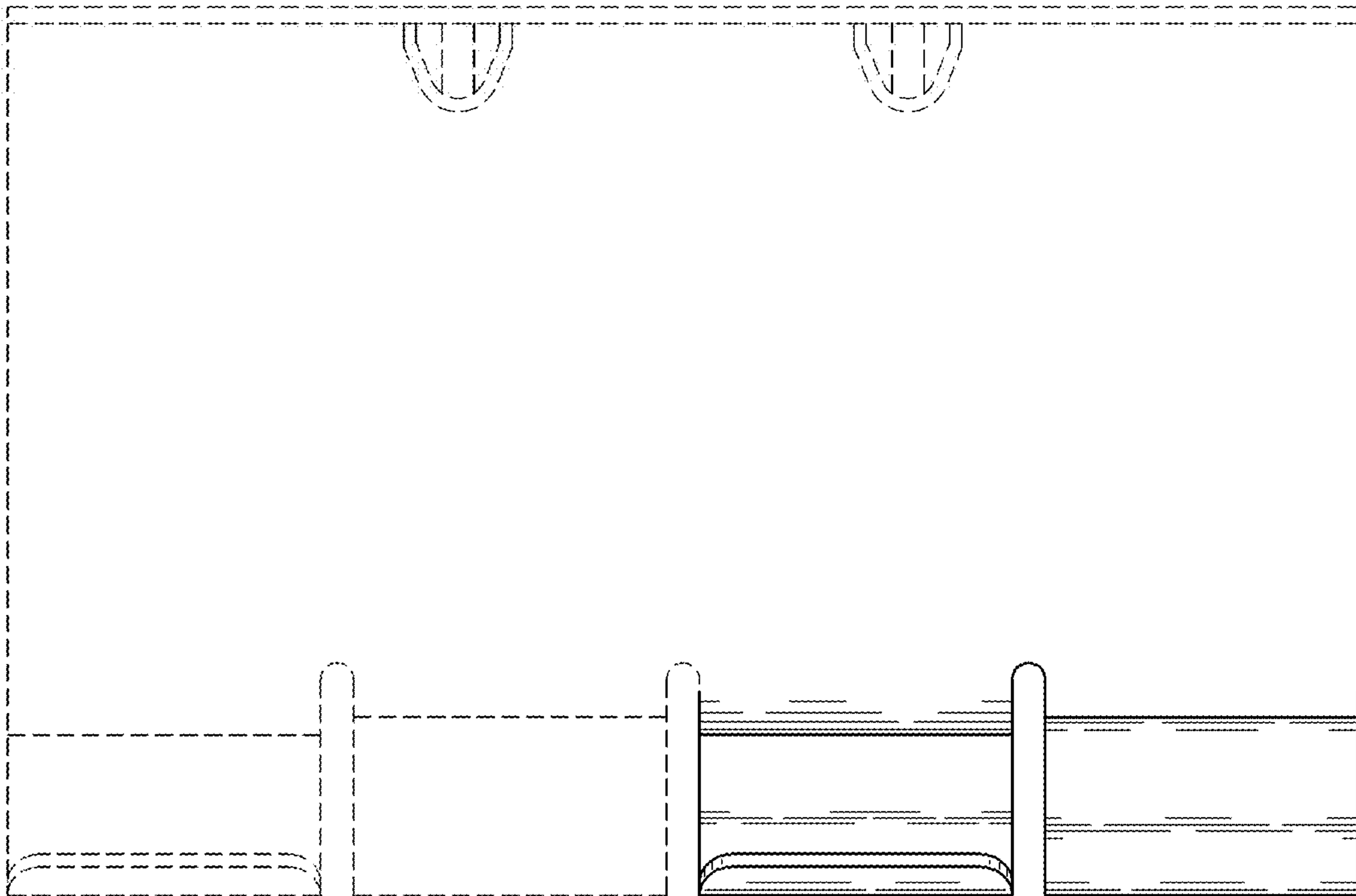


FIG. 6

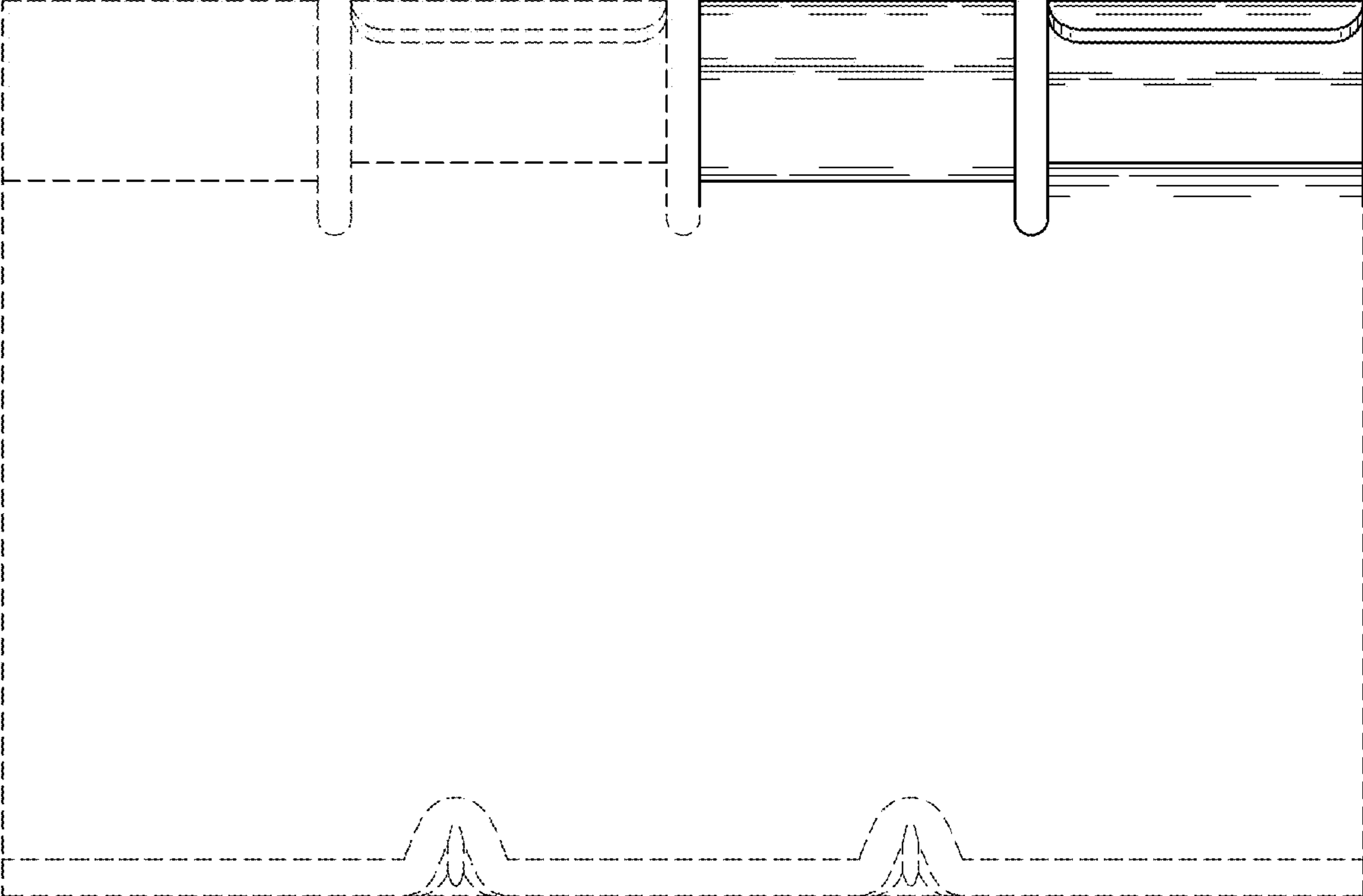


FIG. 7