



US00D903476S

(12) **United States Design Patent** (10) **Patent No.:** **US D903,476 S**
Schwarzmann et al. (45) **Date of Patent:** **** Dec. 1, 2020**

- (54) **FASTENING DEVICE**
- (71) Applicant: **Julius Blum GmbH**, Hoechst (AT)
- (72) Inventors: **Guenter Schwarzmann**, Dornbirn (AT); **Markus Irgang**, Altach (AT); **Gerald Sperger**, Hard (AT)
- (73) Assignee: **Julius Blum GmbH**, Hoechst (AT)
- (**) Term: **15 Years**
- (21) Appl. No.: **29/708,932**
- (22) Filed: **Oct. 10, 2019**

Related U.S. Application Data

- (62) Division of application No. 29/653,835, filed on Jun. 19, 2018.

(30) **Foreign Application Priority Data**

Dec. 22, 2017 (EM) 1466296-0002

- (51) **LOC (12) Cl.** **08-08**

- (52) **U.S. Cl.**
USPC **D8/382**; D8/387

- (58) **Field of Classification Search**
USPC D8/354, 382, 385, 387
CPC .. F16B 23/00; F16B 23/0007; F16B 23/0023;
F16B 25/00; F16B 35/00; F16B 12/36;
F16B 12/46; F16B 12/10; F16B 12/14;
F16B 12/22; F16B 12/24; F16B 12/30;
A47B 88/941; A47B 2088/902; A47B
2088/954

See application file for complete search history.

(56) **References Cited**

U.S. PATENT DOCUMENTS

- D363,878 S 11/1995 Hayabusa
- D392,179 S 3/1998 Ropponen et al.

- 6,394,724 B1 5/2002 Kelly et al.
- D541,645 S 5/2007 Hutton
- D542,644 S 5/2007 Lee et al.
- D585,730 S 2/2009 Fernandez
- D652,929 S 1/2012 Sibhatu et al.
- D720,609 S 1/2015 David
- 8,950,833 B2 2/2015 Bohle
- D799,313 S 10/2017 von Wilcke
- D799,950 S * 10/2017 von Wilcke D8/393
- D823,677 S 7/2018 Tung
- D829,087 S * 9/2018 Law D8/387
- D838,582 S * 1/2019 Szucs D8/382
- D847,595 S 5/2019 Hampton
- 2002/0006320 A1 * 1/2002 Kupper F16B 12/24
411/383
- 2012/0054992 A1 * 3/2012 Liu F16B 12/24
24/573.11
- 2013/0014376 A1 1/2013 Komsitsky et al.
- 2013/0260600 A1 10/2013 Shibata

(Continued)

Primary Examiner — Sandra Snapp

Assistant Examiner — Ieisha N Price

(74) *Attorney, Agent, or Firm* — Wenderoth, Lind & Ponack, L.L.P.

(57) **CLAIM**

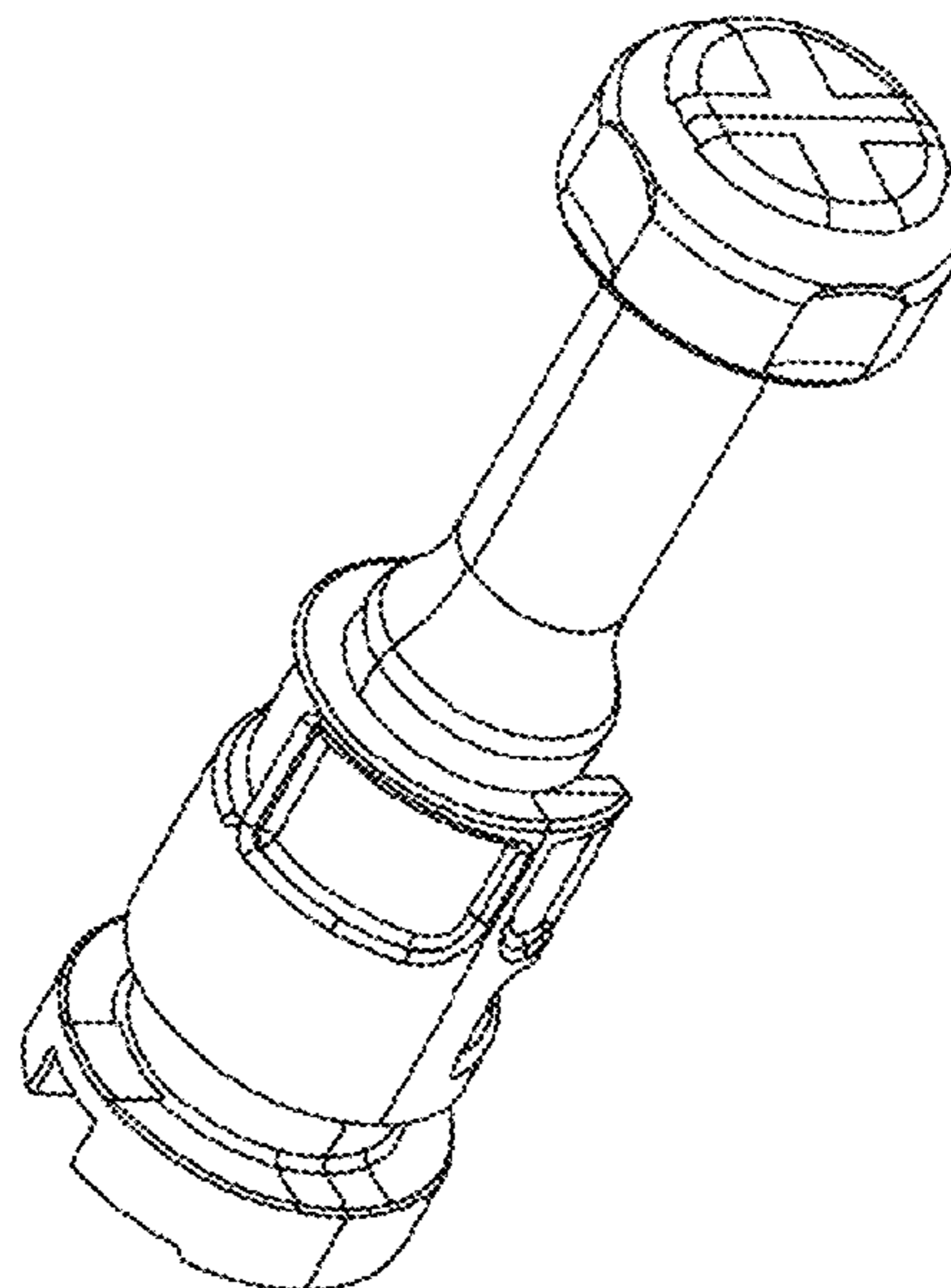
The ornamental design for a fastening device, as shown and described.

DESCRIPTION

FIG. 1 is a front perspective view of a fastening device;
 FIG. 2 is a front view thereof;
 FIG. 3 is a right side view thereof;
 FIG. 4 is a left side view thereof;
 FIG. 5 is a rear view thereof;
 FIG. 6 is a top view thereof; and,
 FIG. 7 is a bottom view thereof.

The broken lines in the drawings illustrate portions of the Fastening Device and form no part of the claimed design.

1 Claim, 7 Drawing Sheets



(56)

References Cited

U.S. PATENT DOCUMENTS

2016/0108945 A1* 4/2016 Yang F16B 12/22
403/359.6
2018/0266473 A1 9/2018 Campbell et al.
2018/0372137 A1* 12/2018 Cattaneo A47B 47/042
2019/0024690 A1* 1/2019 Giovannetti F16B 12/2027
2019/0195258 A1* 6/2019 Zimmer F16B 12/24
2019/0242420 A1* 8/2019 Dietrich F16B 12/20

* cited by examiner

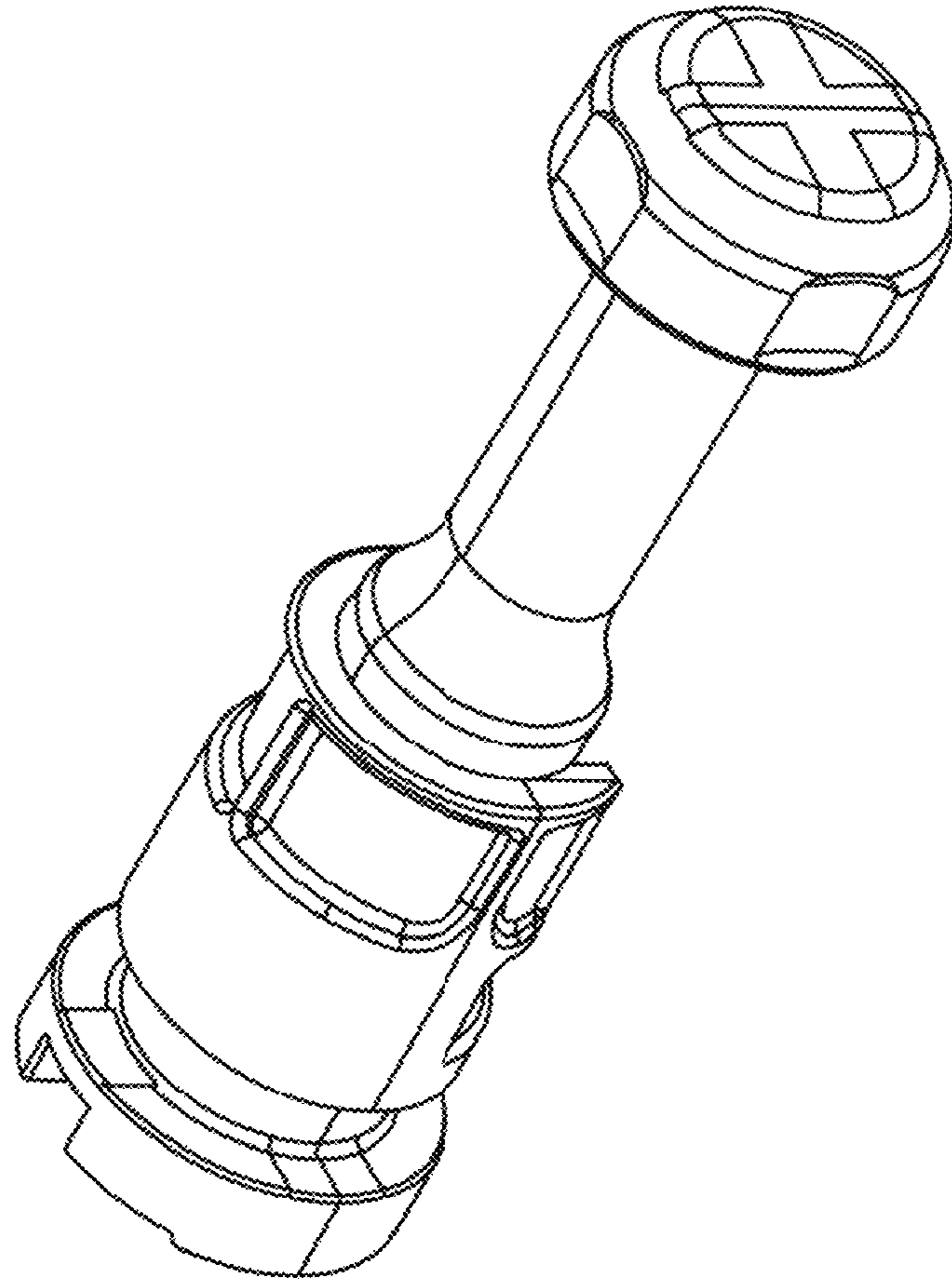


Fig. 1

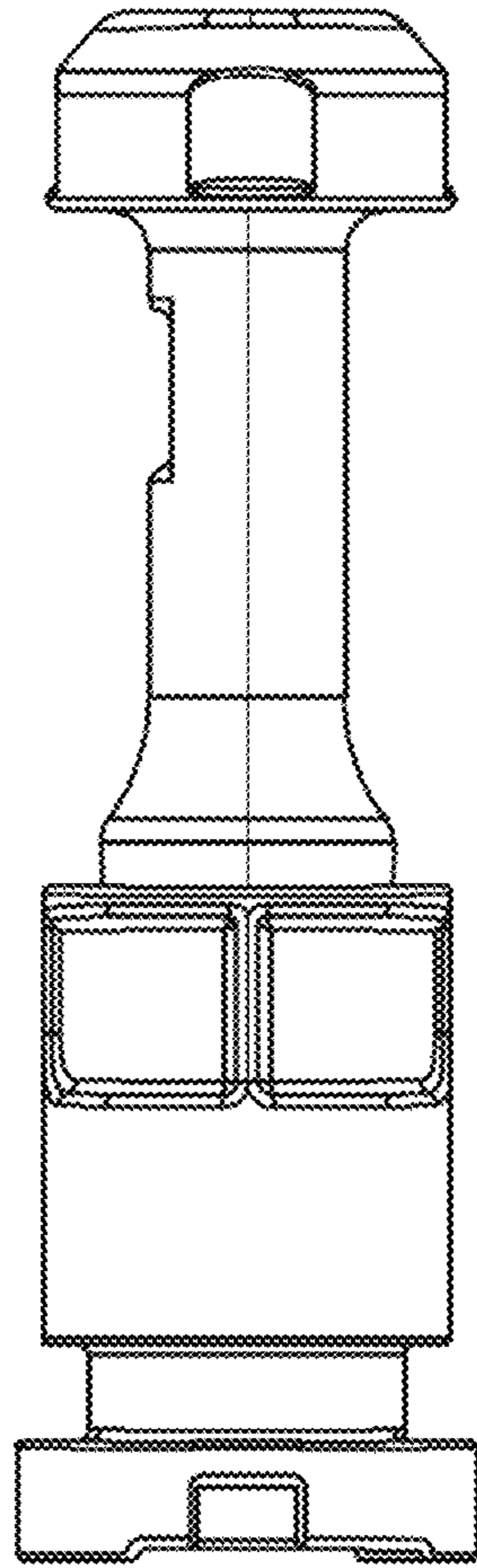


Fig. 2

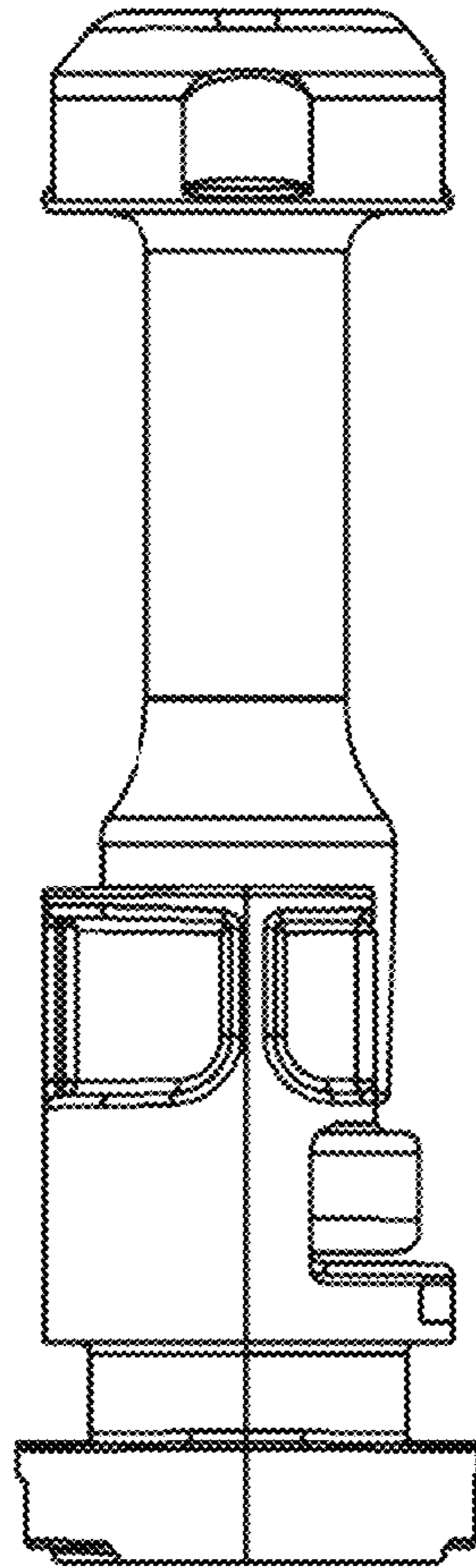


Fig. 3

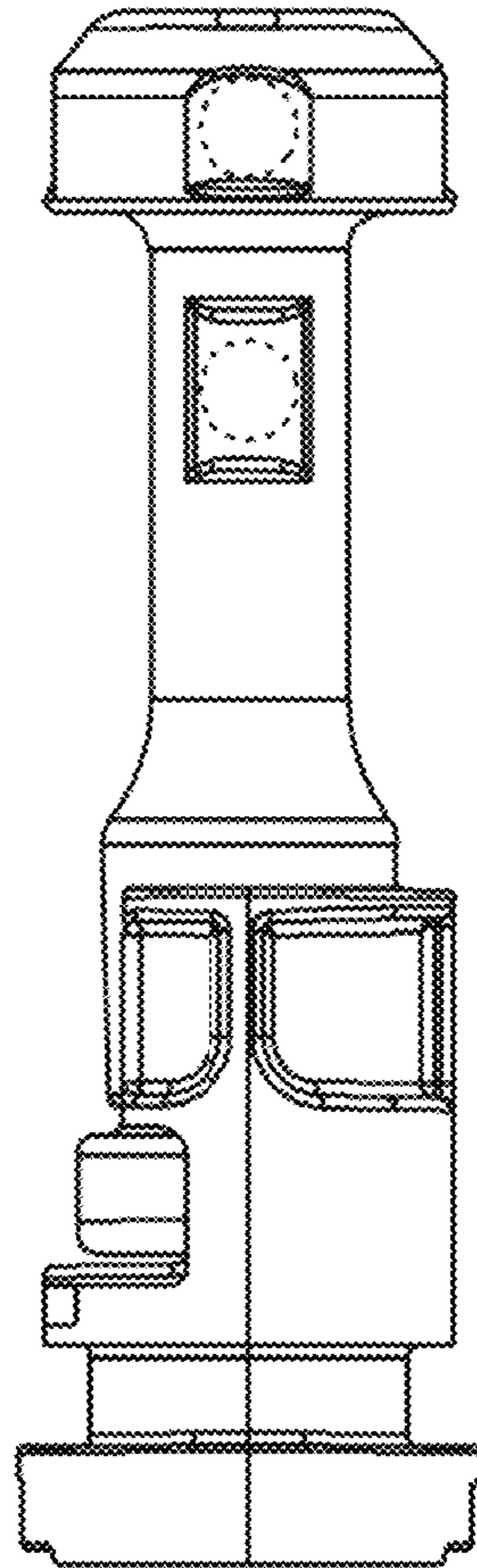


Fig. 4

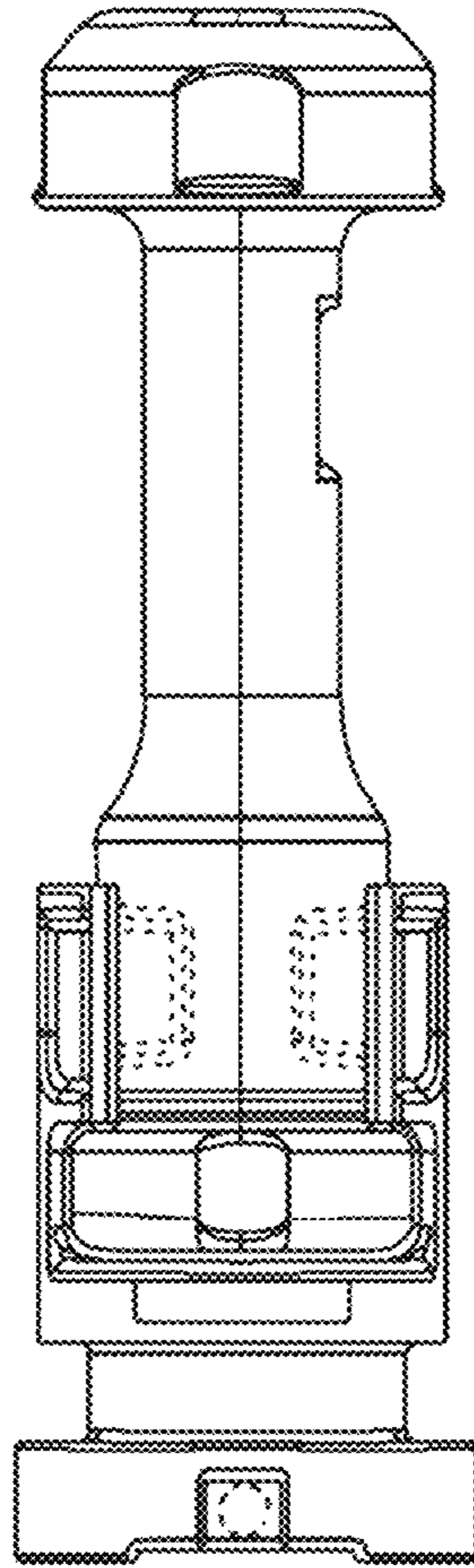


Fig. 5

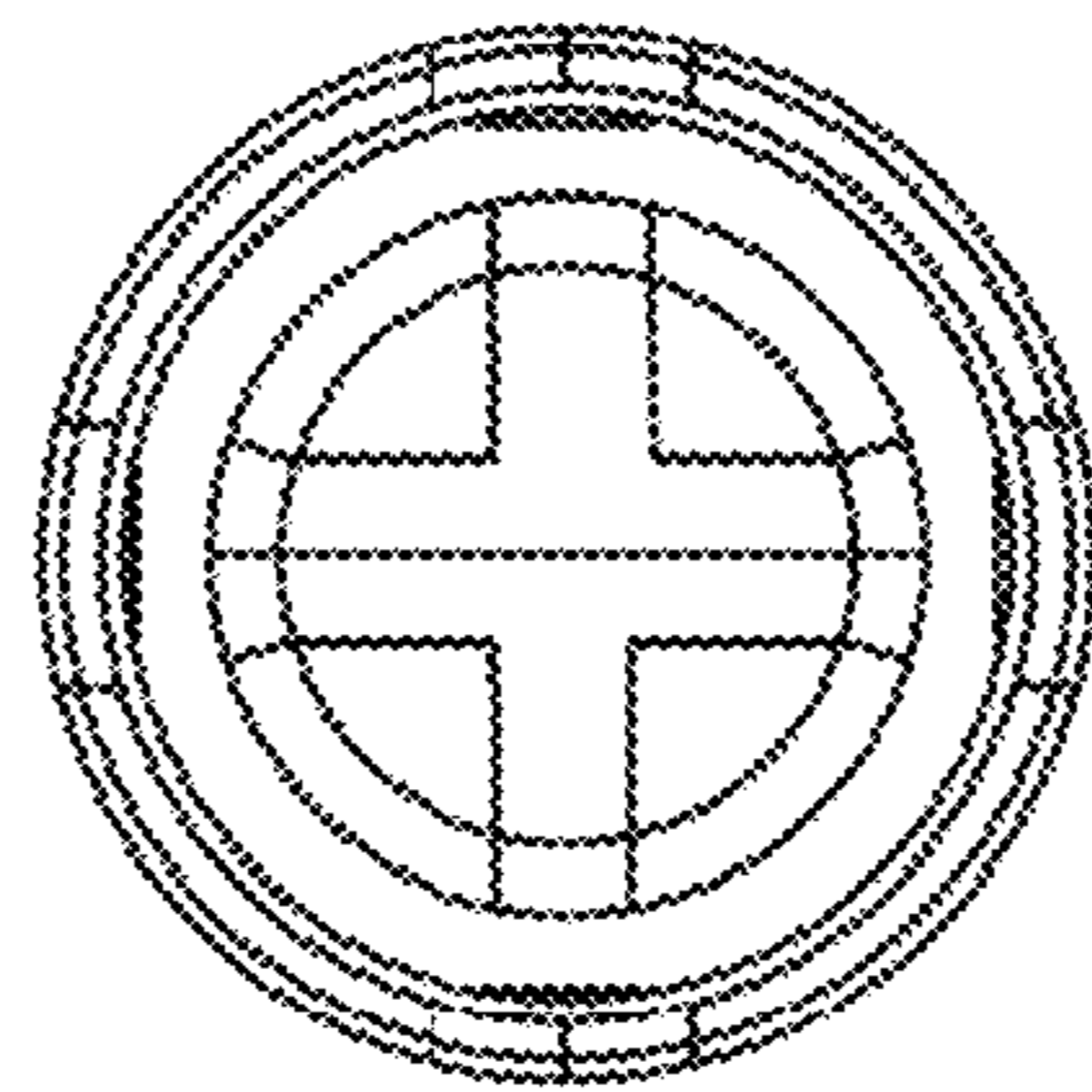


Fig. 6

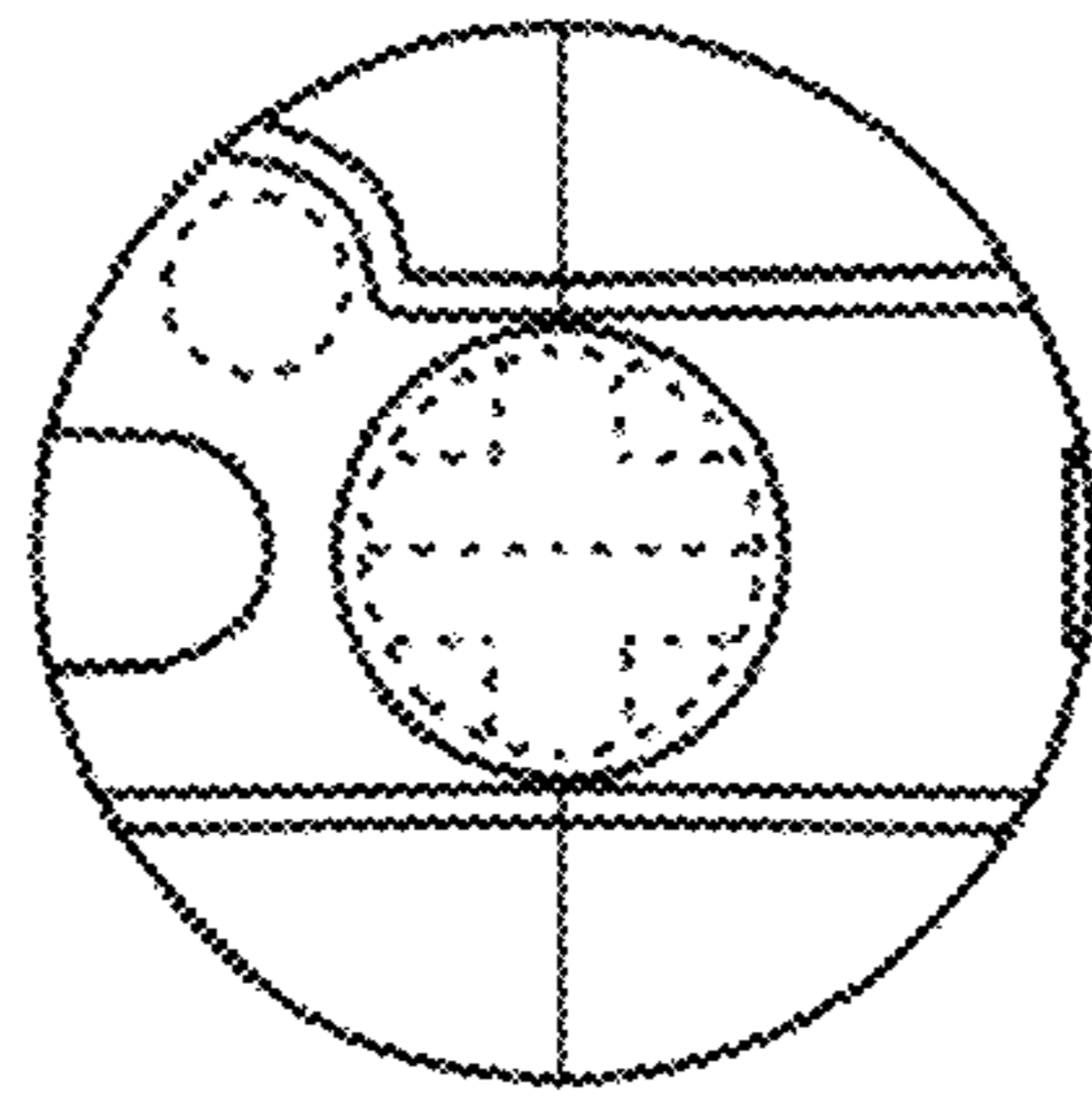


Fig. 7