



US00D903475S

(12) **United States Design Patent** (10) **Patent No.:** **US D903,475 S**
Rodriguez (45) **Date of Patent:** **** Dec. 1, 2020**

- (54) **COMBINED AUTOMATIC REEL, CABLE AND HOOK FOR RESTRAINING BAGS**
- (71) Applicant: **Jesus Alejandro Rodriguez**, Hanover, MD (US)
- (72) Inventor: **Jesus Alejandro Rodriguez**, Hanover, MD (US)

9,623,806 B2 4/2017 Rodriguez
 D790,345 S 6/2017 Nolan
 10,214,149 B2 2/2019 Nolan
 D855,443 S * 8/2019 Fung D8/359
 D858,088 S * 9/2019 Osmanski D3/207
 D894,718 S * 9/2020 Kramer D8/356
 2014/0326762 A1 11/2014 Nolan
 2017/0008460 A1 1/2017 Rodriguez
 (Continued)

(**) Term: **15 Years**

(21) Appl. No.: **35/001,869**

(22) Filed: **Jun. 10, 2020**

(80) **Hague Agreement Data**

Int. Filing Date: **Jun. 10, 2020**
 Int. Reg. No.: **DM/209751**
 Int. Reg. Date: **Jun. 10, 2020**
 Int. Reg. Pub. Date: **Aug. 21, 2020**

(51) **LOC (12) Cl.** **09-06**

(52) **U.S. Cl.**
USPC **D8/356**

(58) **Field of Classification Search**
USPC D8/359, 356, 358, 383; D3/207
CPC B60R 7/043
See application file for complete search history.

(56) **References Cited**

U.S. PATENT DOCUMENTS

D234,548 S * 3/1975 Stabhel D3/207
 D401,559 S * 11/1998 Angell D13/154
 D402,539 S * 12/1998 Pingel D8/359
 D413,464 S 9/1999 Richter
 D476,219 S 6/2003 Lin et al.
 D597,399 S * 8/2009 Draeger-Larkin D8/356
 D626,393 S * 11/2010 Ormsbee D8/34
 D680,319 S * 4/2013 Lawrence D3/207
 D686,058 S * 7/2013 Paik D8/356
 D717,537 S 11/2014 Tsai
 8,944,302 B2 2/2015 Nolan
 9,249,814 B2 2/2016 Tsai
 9,463,752 B1 10/2016 Lehtonen

OTHER PUBLICATIONS

Jesus A. Rodriguez, Internet URL: <https://bleash.com/>. Although the website was publically available in 2017, the design was not made publically available until Mar. 7, 2020. Website owned by Applicant. (7 pages).

Primary Examiner — Eliza Z Bennett-Hattan

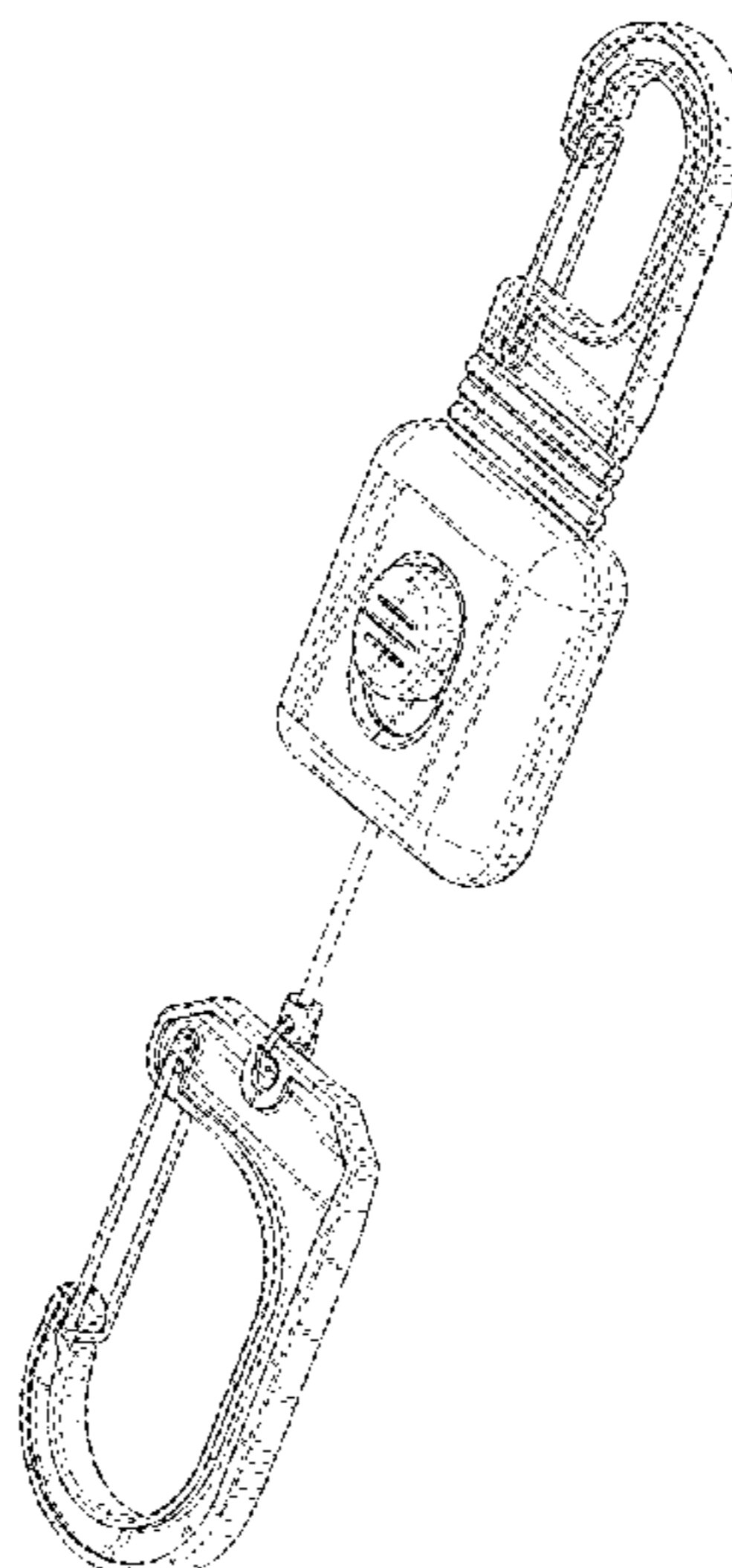
(57) **CLAIM**

The ornamental design for an combined automatic reel, cable and hook for restraining bags, as shown and described.

DESCRIPTION

1. Combined automatic reel, cable and hook for restraining bags
 1.1 : Front perspective view
 1.2 : Rear perspective view
 1.3 : Front elevational view
 1.4 : Rear elevational view
 1.5 : Right side elevational
 1.6 : Left side elevation view
 1.7 : Top plan view
 1.8 : Bottom plan view
 1.9: Perspective view of the claim in an alternative mode of use
 1.10: Perspective view of the claim in another alternative mode of use
 The broken lines in the drawings represent unclaimed environmental subject matter and form no part of the claimed design.

1 Claim, 10 Drawing Sheets



(56)

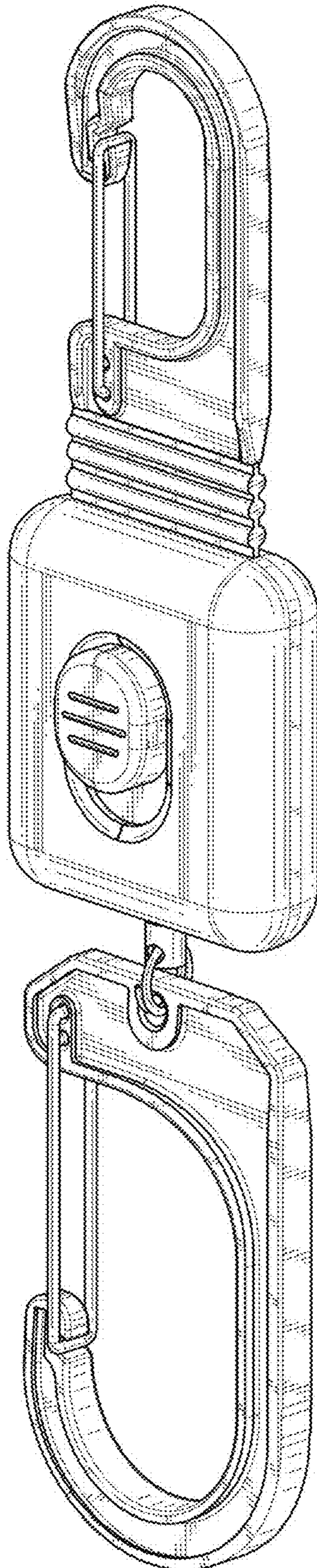
References Cited

U.S. PATENT DOCUMENTS

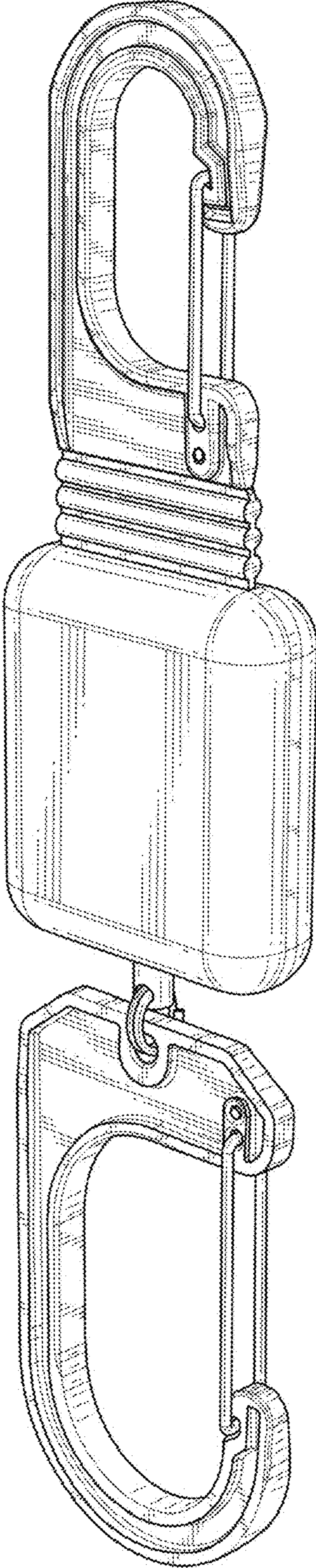
2018/0154837 A1 6/2018 Nolan
2019/0217785 A1 7/2019 Nolan
2020/0054118 A1 2/2020 Tsai

* cited by examiner

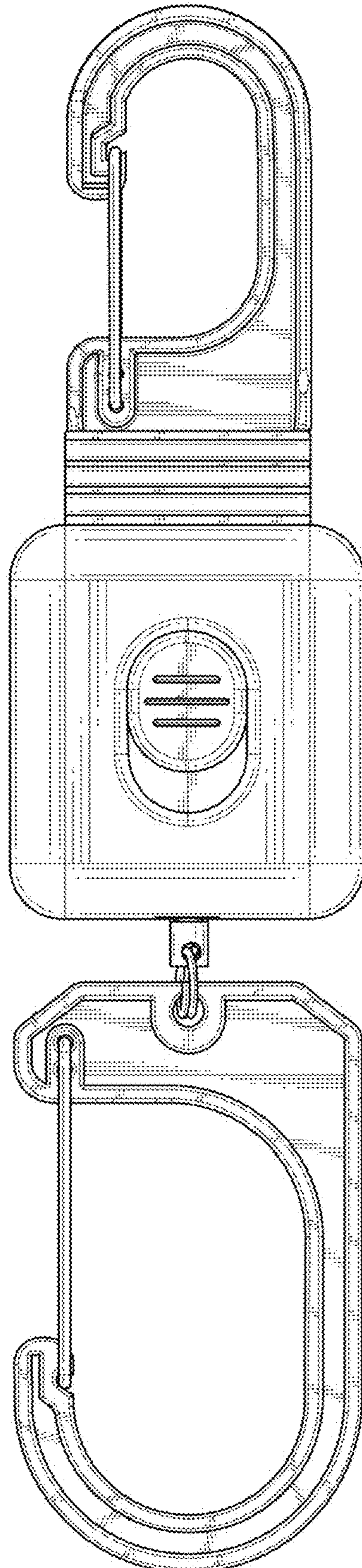
1.1



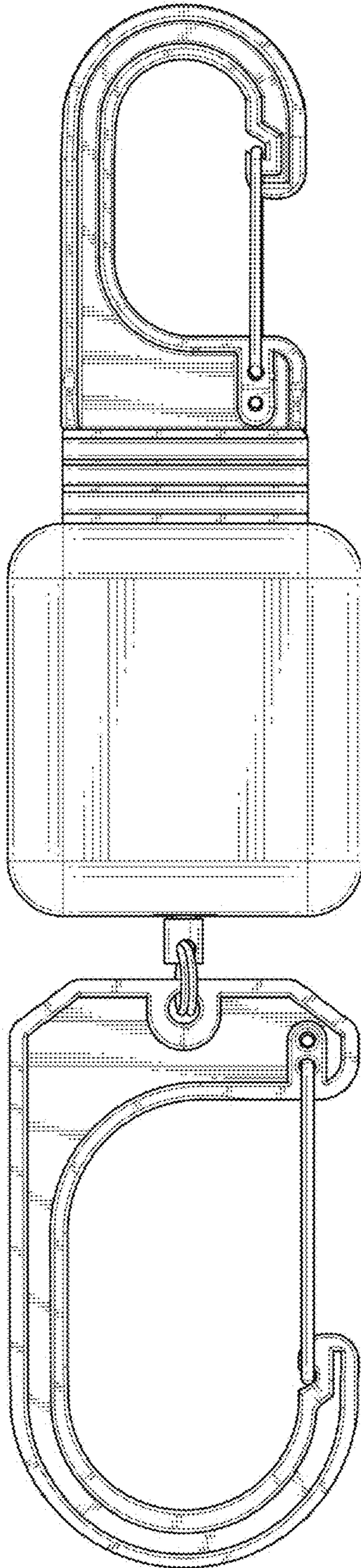
1.2



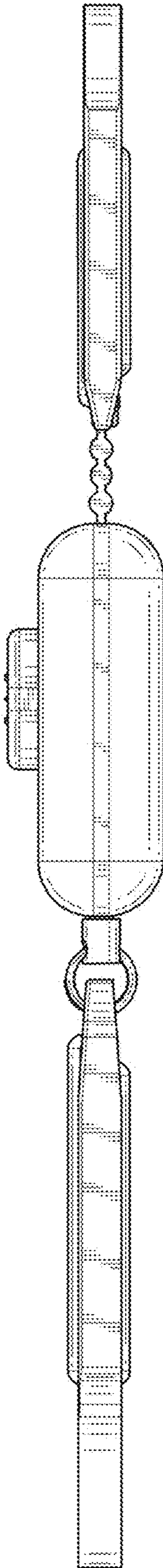
1.3



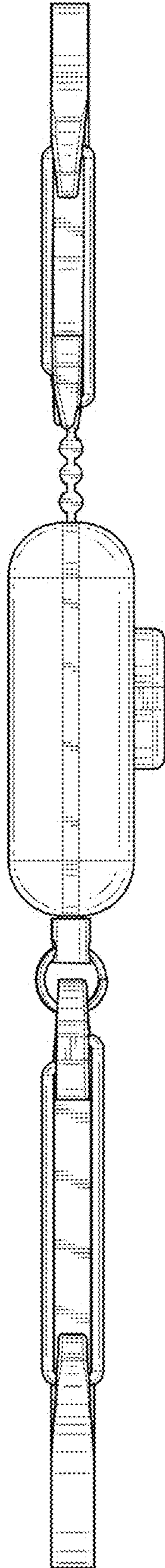
1.4



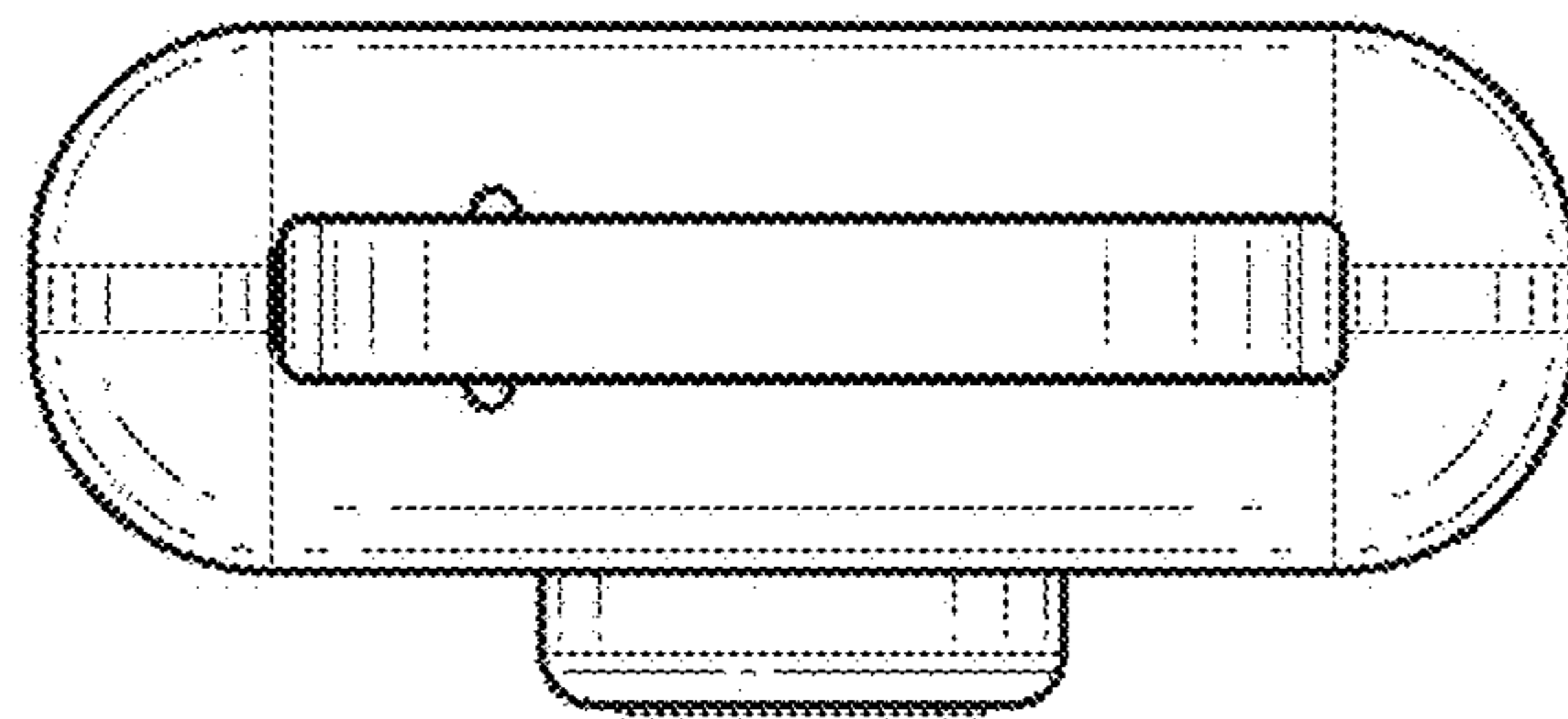
1.5



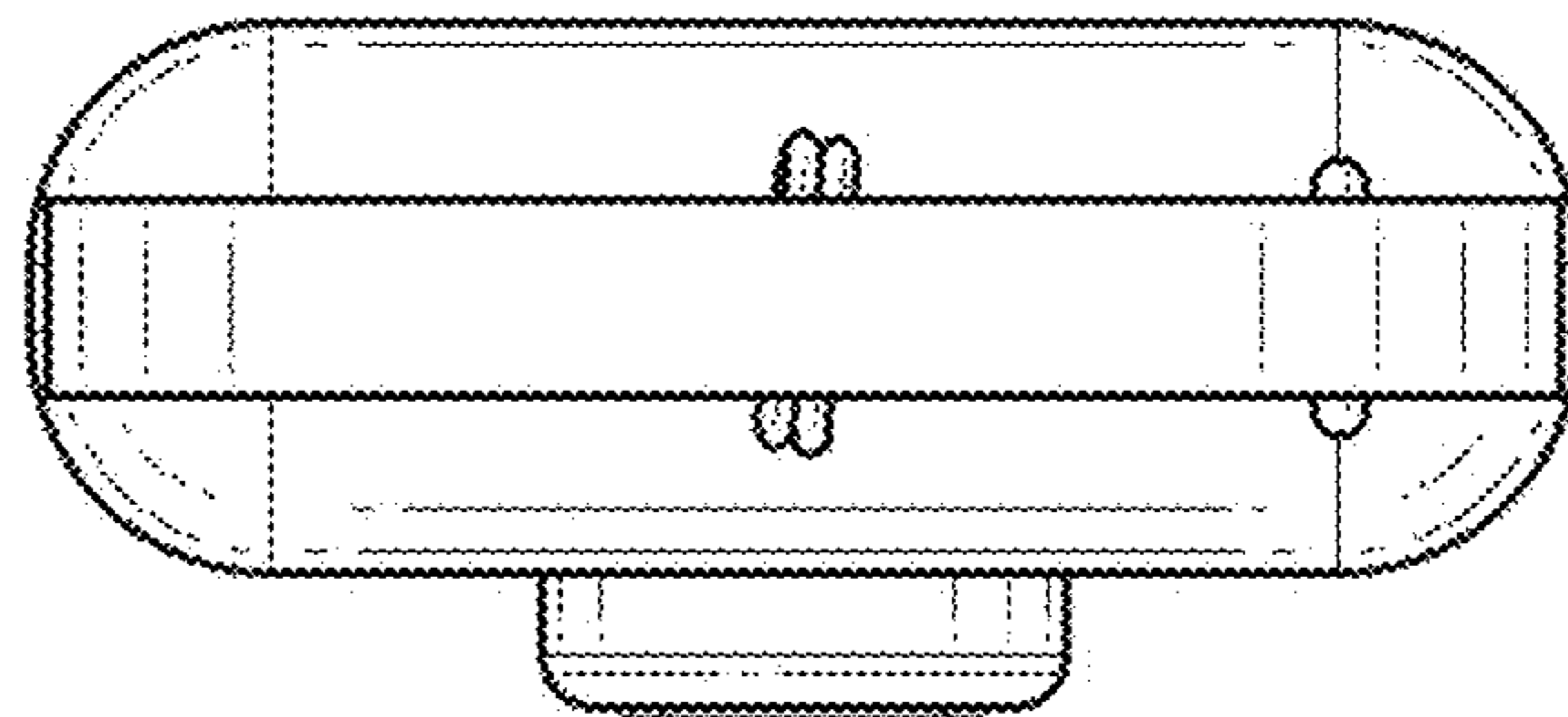
1.6



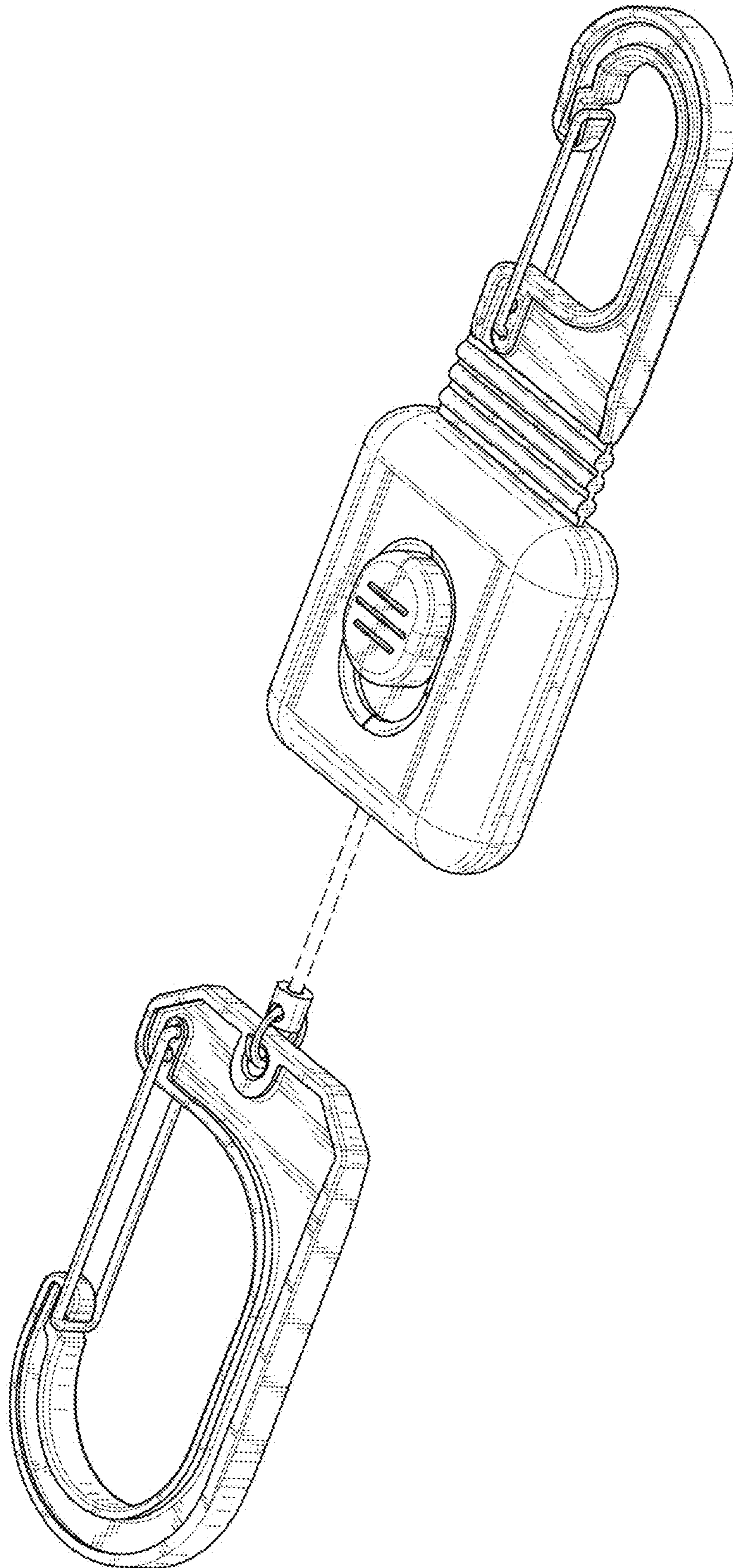
1.7



1.8



1.9



1.10

