



US00D903474S

(12) **United States Design Patent**
Peng

(10) **Patent No.:** **US D903,474 S**

(45) **Date of Patent:** **** Dec. 1, 2020**

- (54) **GARDEN HOSE HOLDER**
- (71) Applicant: **Jianzi Peng**, Shenzhen (CN)
- (72) Inventor: **Jianzi Peng**, Shenzhen (CN)
- (**) Term: **15 Years**
- (21) Appl. No.: **29/745,814**
- (22) Filed: **Aug. 10, 2020**
- (51) **LOC (12) Cl.** **09-06**
- (52) **U.S. Cl.**
USPC **D8/356**
- (58) **Field of Classification Search**
USPC D6/678.4; D8/356, 354, 349, 358, 373,
D8/379; 248/68.1, 89; 137/355.16;
242/400.1; 211/60.1
CPC B65G 7/12; A62C 33/04; B65H 75/366
See application file for complete search history.

6,079,675 A *	6/2000	Hsu	248/68.1
D474,396 S	5/2003	Tisbo et al.		
D554,979 S *	11/2007	Hsu	D8/356
D607,308 S *	1/2010	Moon	D8/356
D661,571 S *	6/2012	Vogler	D8/358
D714,127 S *	9/2014	Zavala	D8/356
D724,934 S *	3/2015	Lu	D8/356
D736,547 S *	8/2015	Morales	D6/678.4
D753,939 S *	4/2016	Tsai	D6/678.4
D763,020 S *	8/2016	Tsai	D6/678.4
D798,131 S *	9/2017	Agneessens	D8/373

* cited by examiner

Primary Examiner — Cynthia R Underwood
(74) *Attorney, Agent, or Firm* — Erson IP (Nelson IP)

(56) **References Cited**

U.S. PATENT DOCUMENTS

355,924 A *	1/1887	Pavel	B65H 75/366 248/89
D76,027 S *	8/1928	Madvig	D8/379
D322,746 S	12/1991	Sassano		
D334,529 S *	4/1993	Guilbert	D6/678.4
5,634,615 A *	6/1997	Shuen	B65H 75/366 211/60.1
5,699,987 A *	12/1997	Romaneschi	A62C 33/04 137/355.16
6,059,215 A *	5/2000	Finnis	B65H 75/366 242/400.1

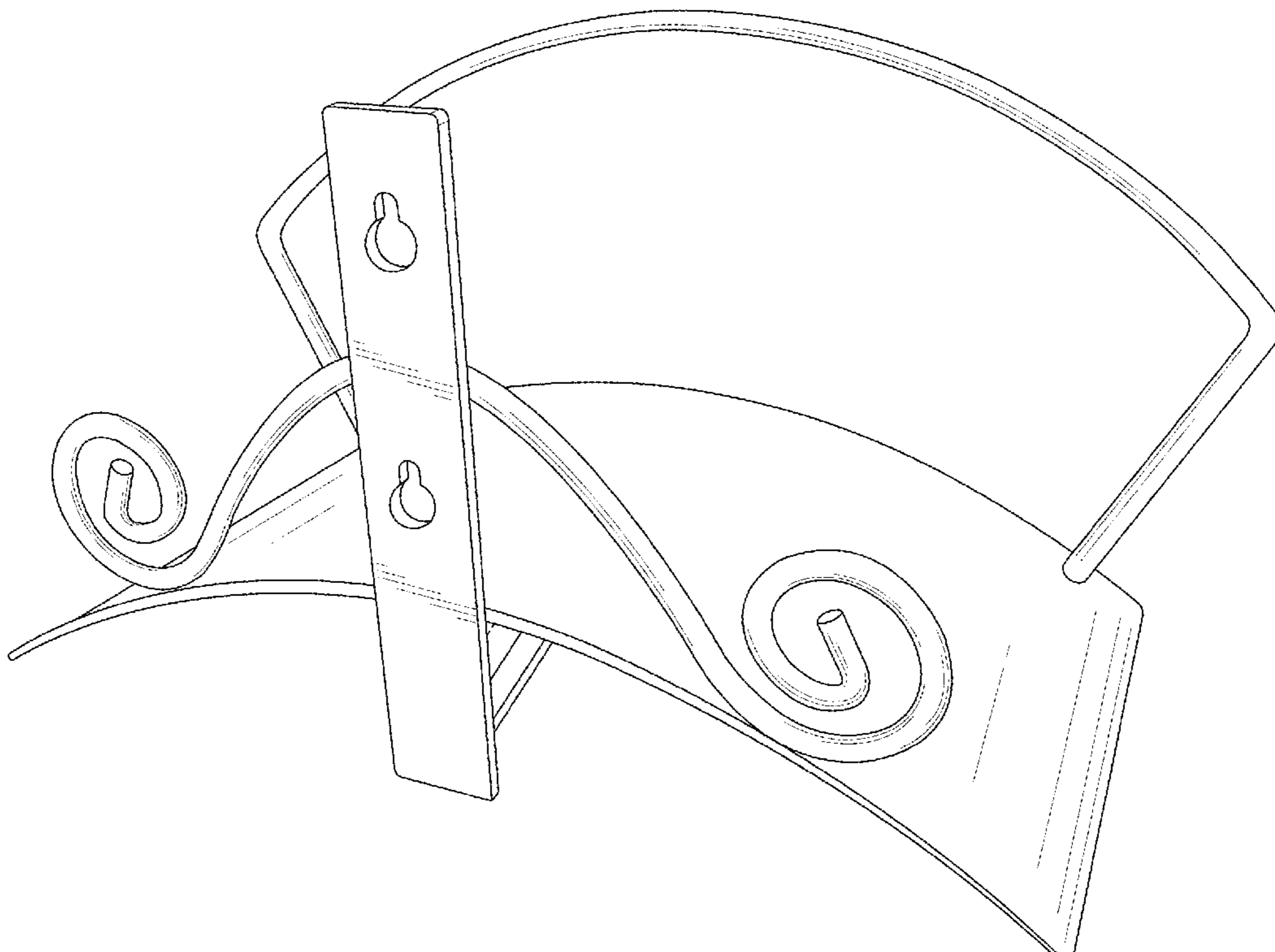
(57) **CLAIM**

The ornamental design for a garden hose holder, as shown and described.

DESCRIPTION

FIG. 1 is a perspective view of a garden hose holder showing my new design;
FIG. 2 is a front view thereof;
FIG. 3 is a rear view thereof;
FIG. 4 is a left side view thereof;
FIG. 5 is a right side view thereof;
FIG. 6 is a top plan view thereof; and,
FIG. 7 is a bottom plan view thereof.
The broken lines in the figures illustrate portions of the garden hose holder that form no part of the claimed design.

1 Claim, 7 Drawing Sheets



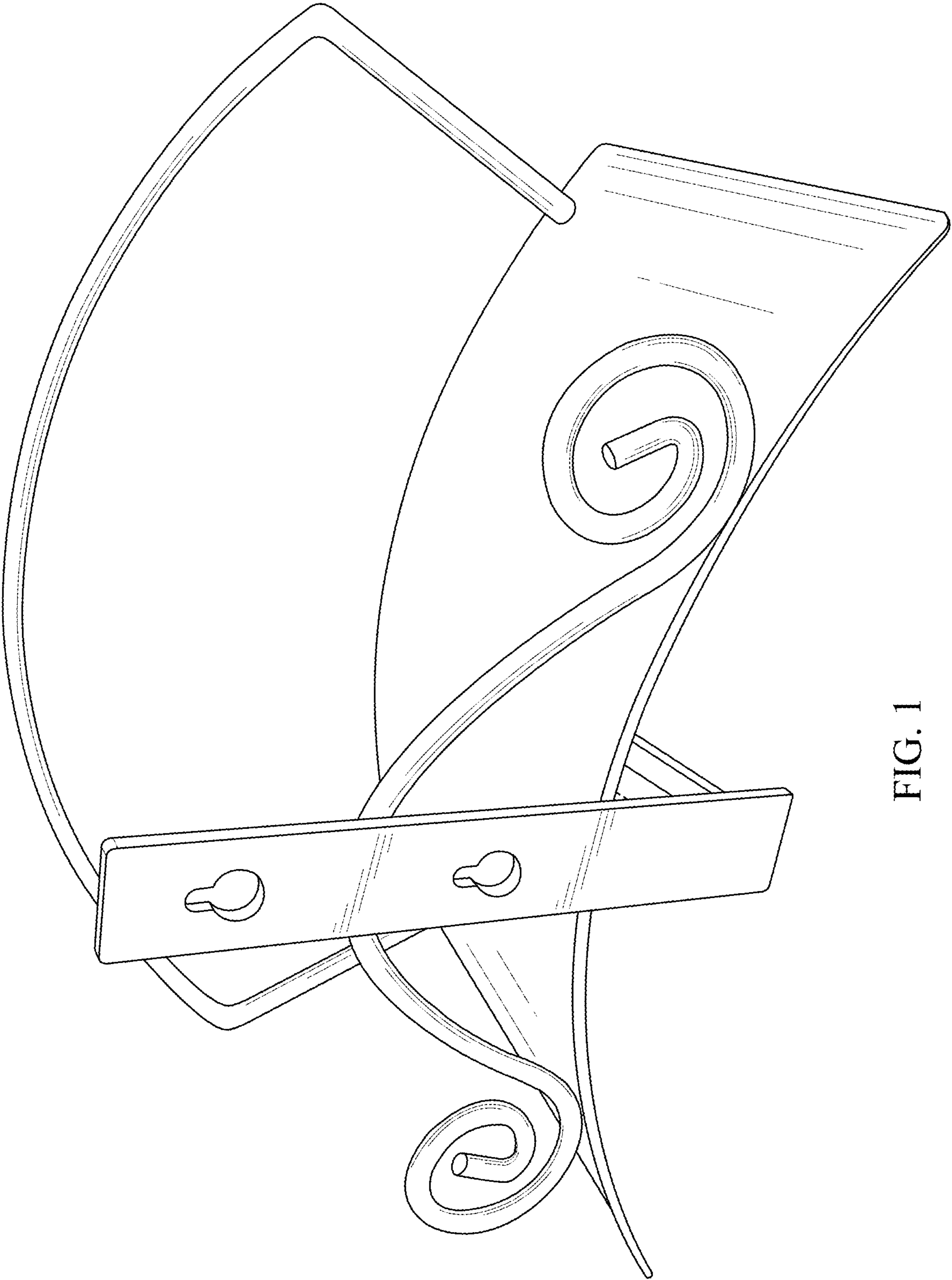


FIG. 1

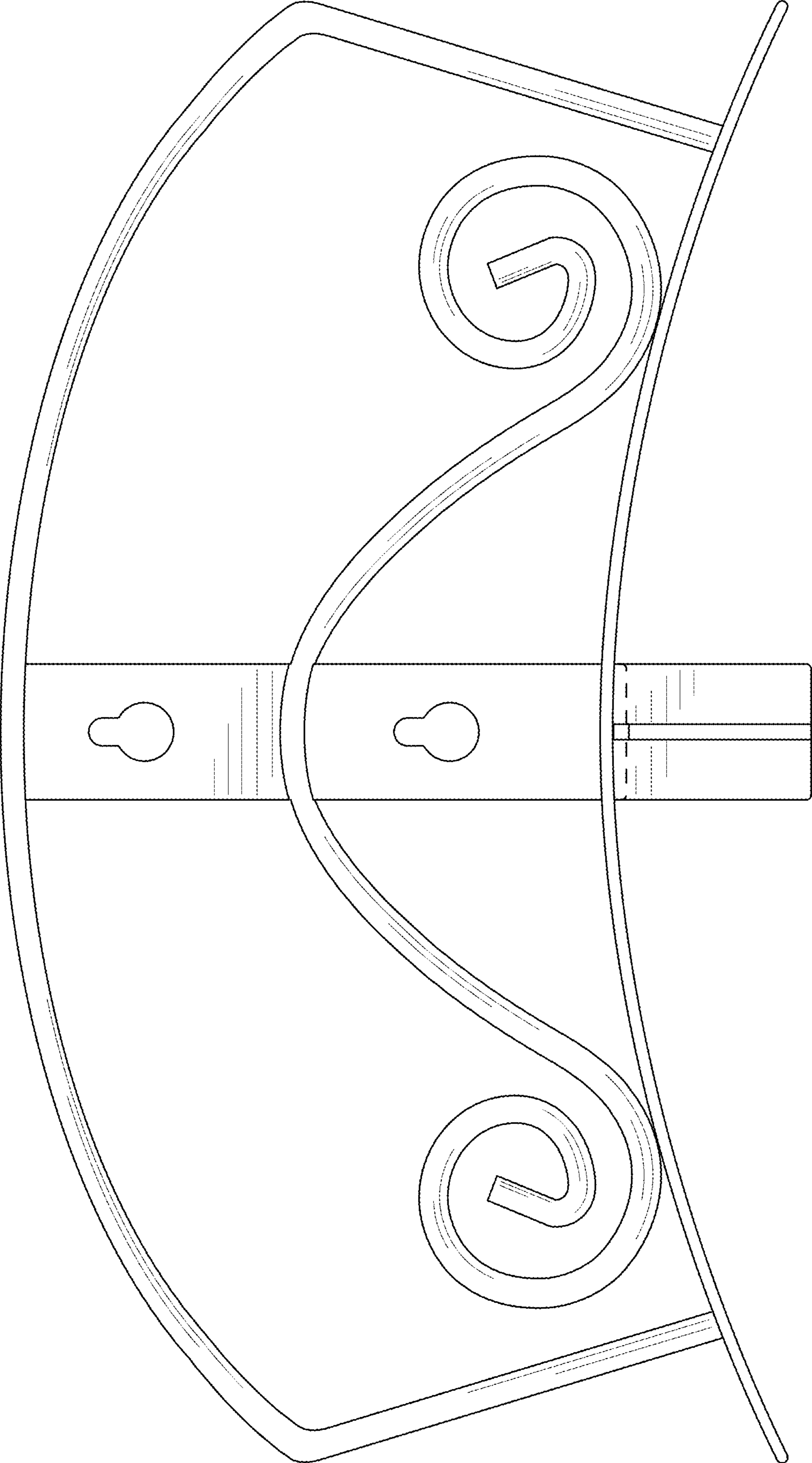


FIG. 2

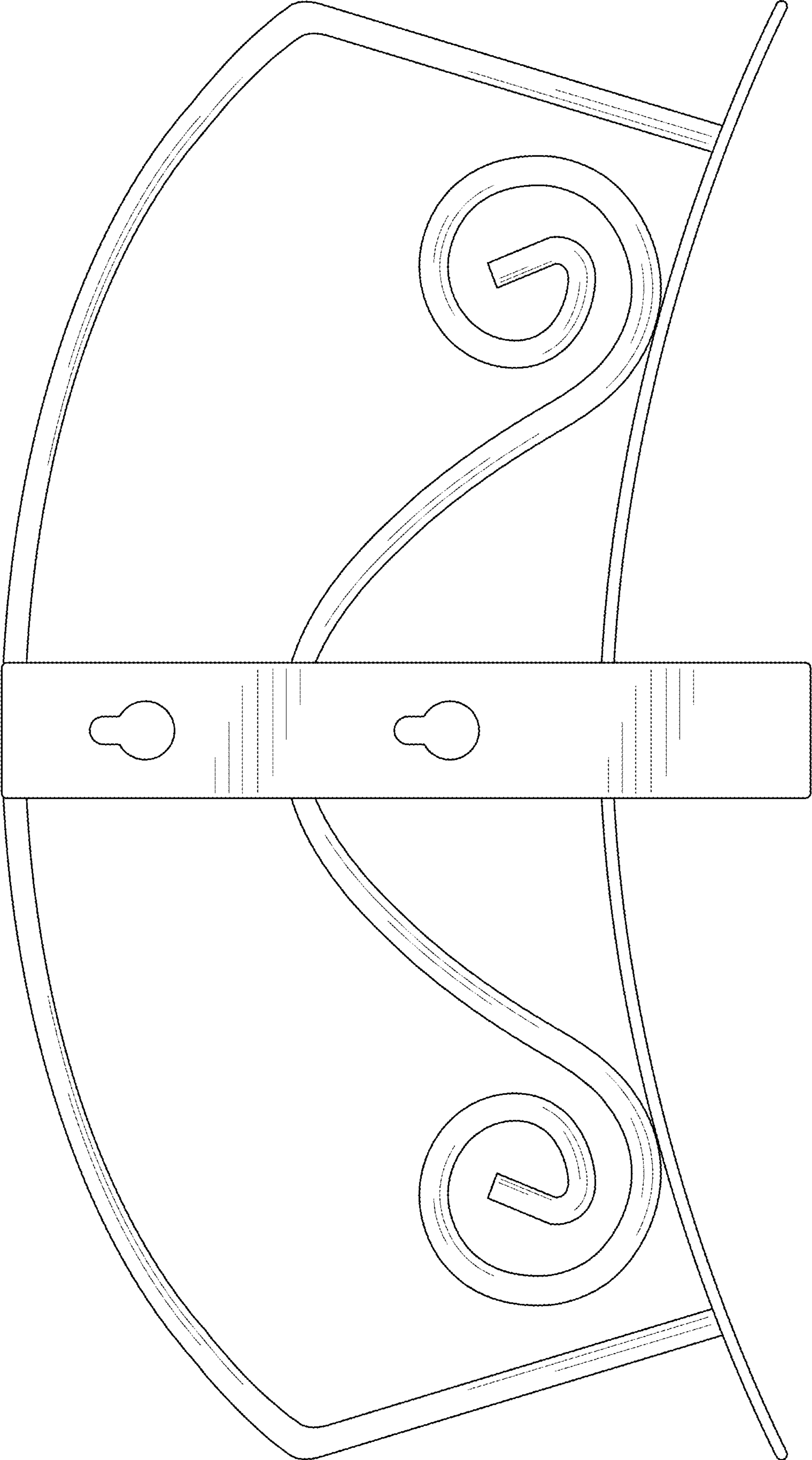


FIG. 3

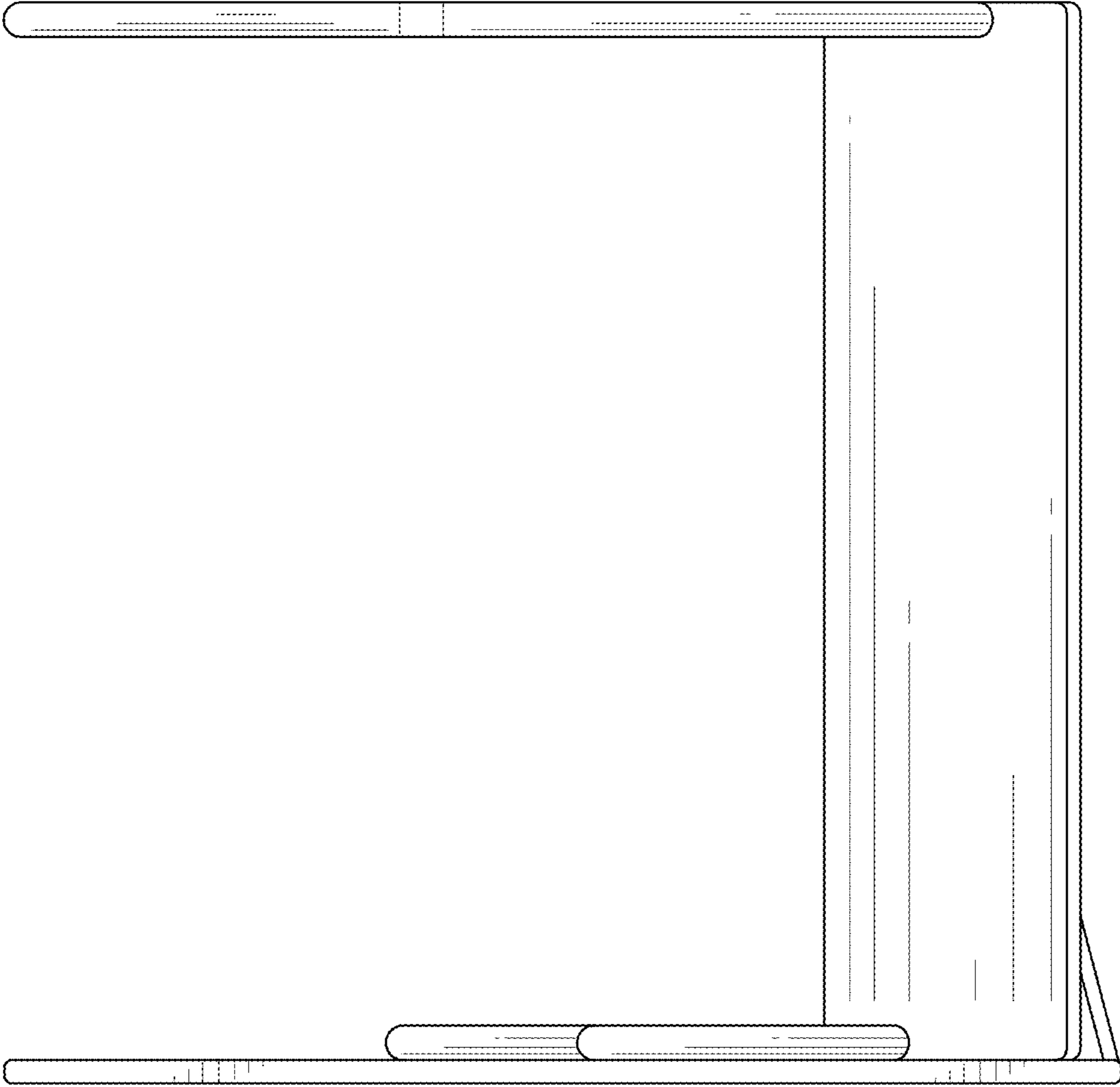


FIG. 4

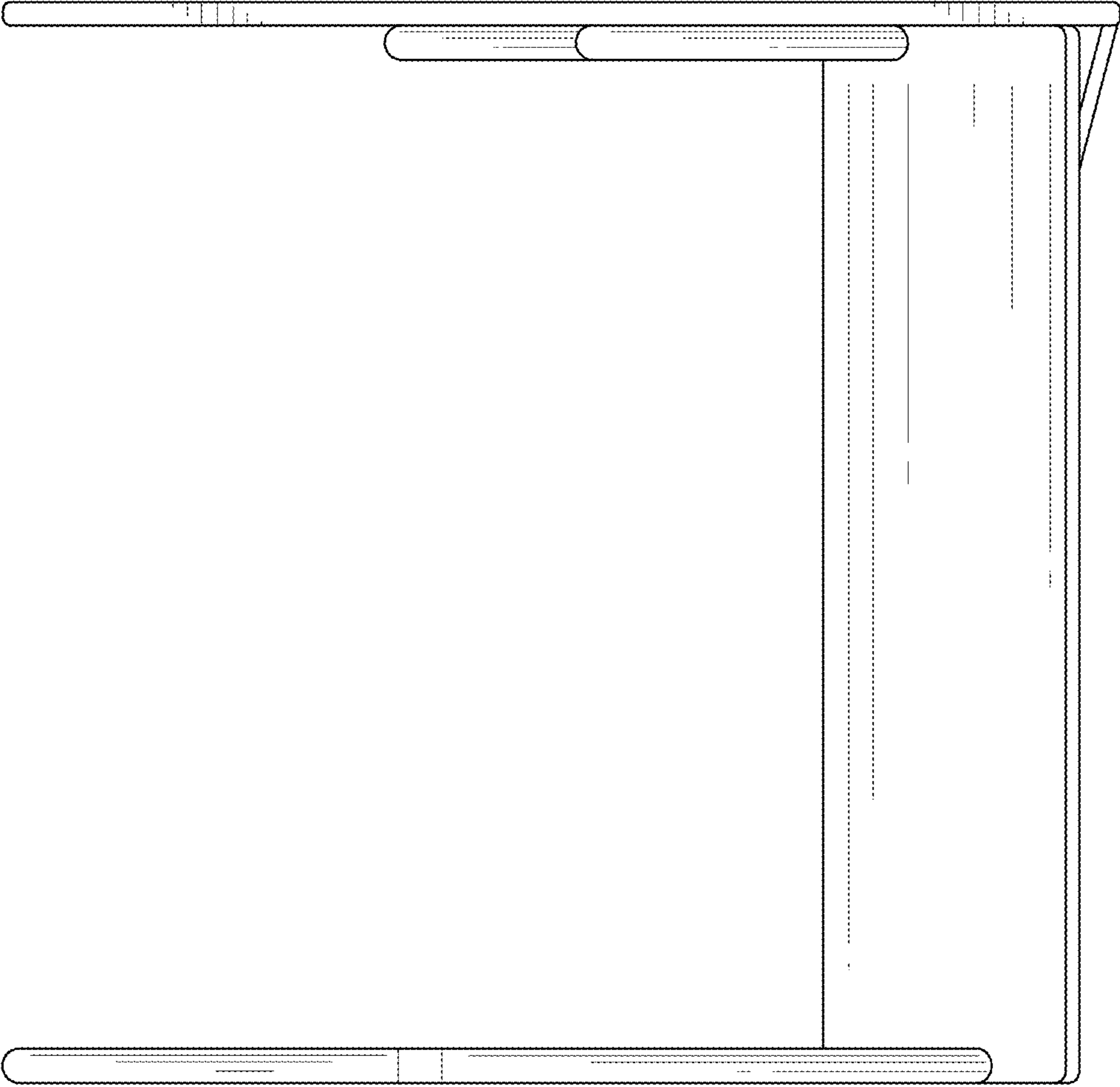


FIG. 5

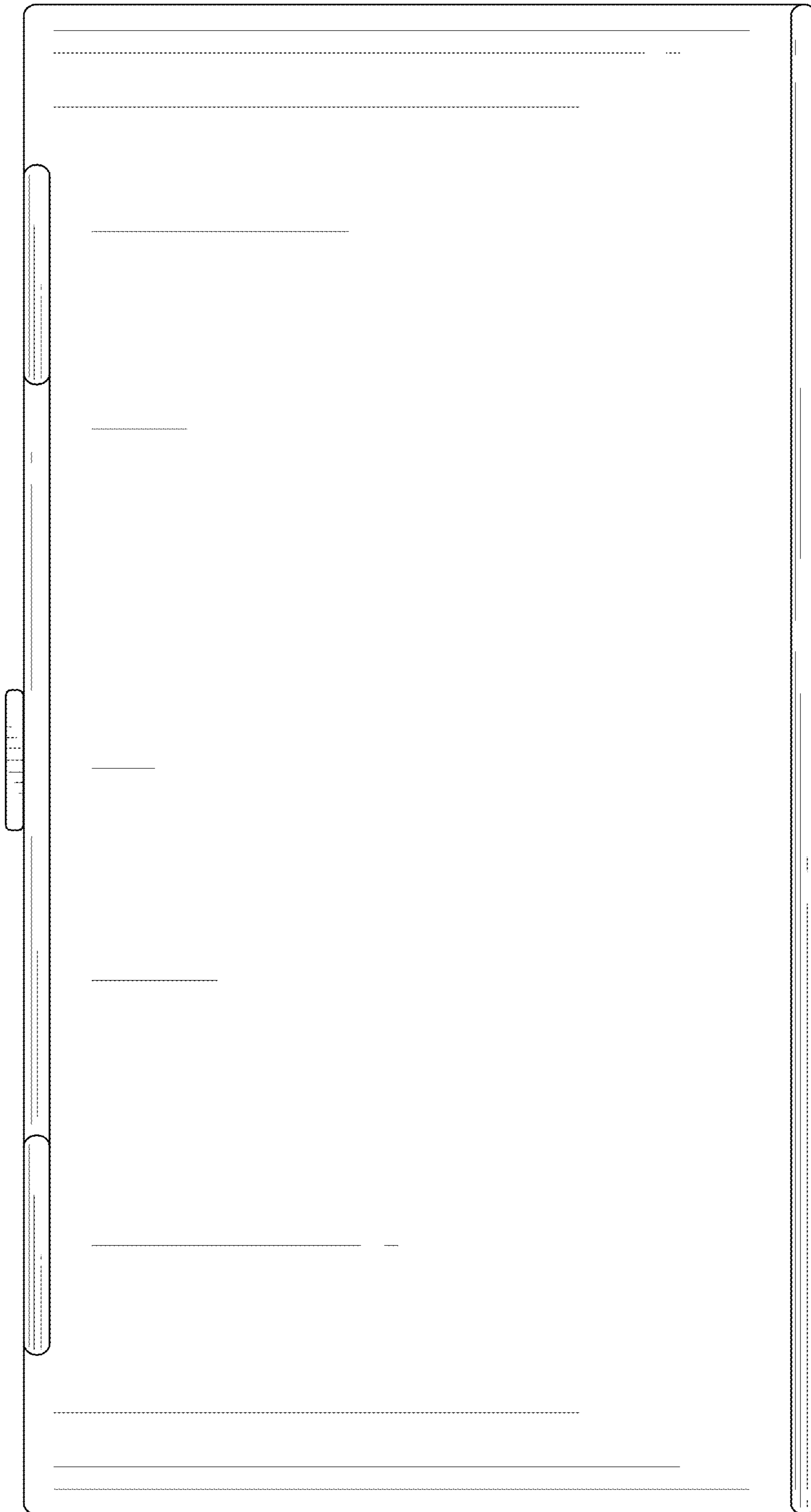


FIG. 6

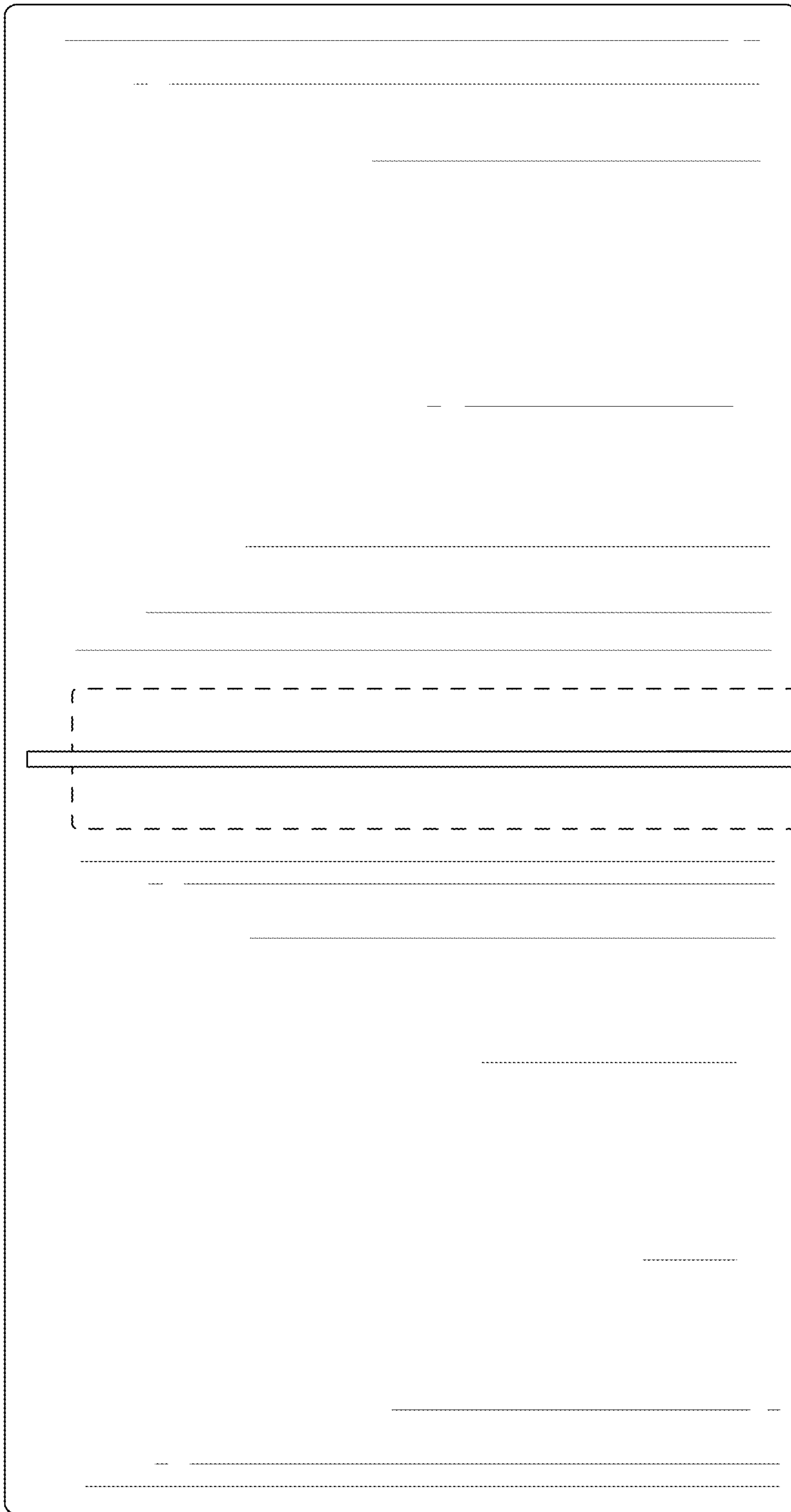


FIG. 7