



US00D903472S

(12) **United States Design Patent**
Kovacs et al.

(10) **Patent No.:** **US D903,472 S**
(45) **Date of Patent:** **** Dec. 1, 2020**

(54) **TOP BRACKET FOR MOUNTING DEVICE**

(71) Applicant: **PMC Industries, Inc.**, Plainville, CT (US)

(72) Inventors: **Tamas Kovacs**, Burlington, CT (US);
Robert Mercier, Newington, CT (US)

(73) Assignee: **PMC INDUSTRIES, INC.**, Plainville, CT (US)

(**) Term: **15 Years**

(21) Appl. No.: **29/698,513**

(22) Filed: **Jul. 17, 2019**

(51) **LOC (12) Cl.** **08-05**

(52) **U.S. Cl.**
USPC **D8/354**

(58) **Field of Classification Search**
USPC D8/349, 354, 380, 382, 366, 363, 371,
D8/373, 376
CPC E04D 13/10; E04D 13/0481; E04D 13/068
See application file for complete search history.

(56) **References Cited**

U.S. PATENT DOCUMENTS

1,768,364 A * 6/1930 Lawton B60J 7/1851
296/120.1
4,872,495 A * 10/1989 Magnusson B27L 1/05
144/208.8

D419,854 S * 2/2000 Brousseau D8/354
D477,985 S * 8/2003 Barr D8/354
D477,986 S * 8/2003 Barr D8/354
2020/0224424 A1 * 7/2020 Kovacs E04D 13/10

* cited by examiner

Primary Examiner — Keli L Hill

Assistant Examiner — Harold E Blackwell, II

(74) *Attorney, Agent, or Firm* — Wasserbauer Law LLC;
Damian G. Wasserbauer

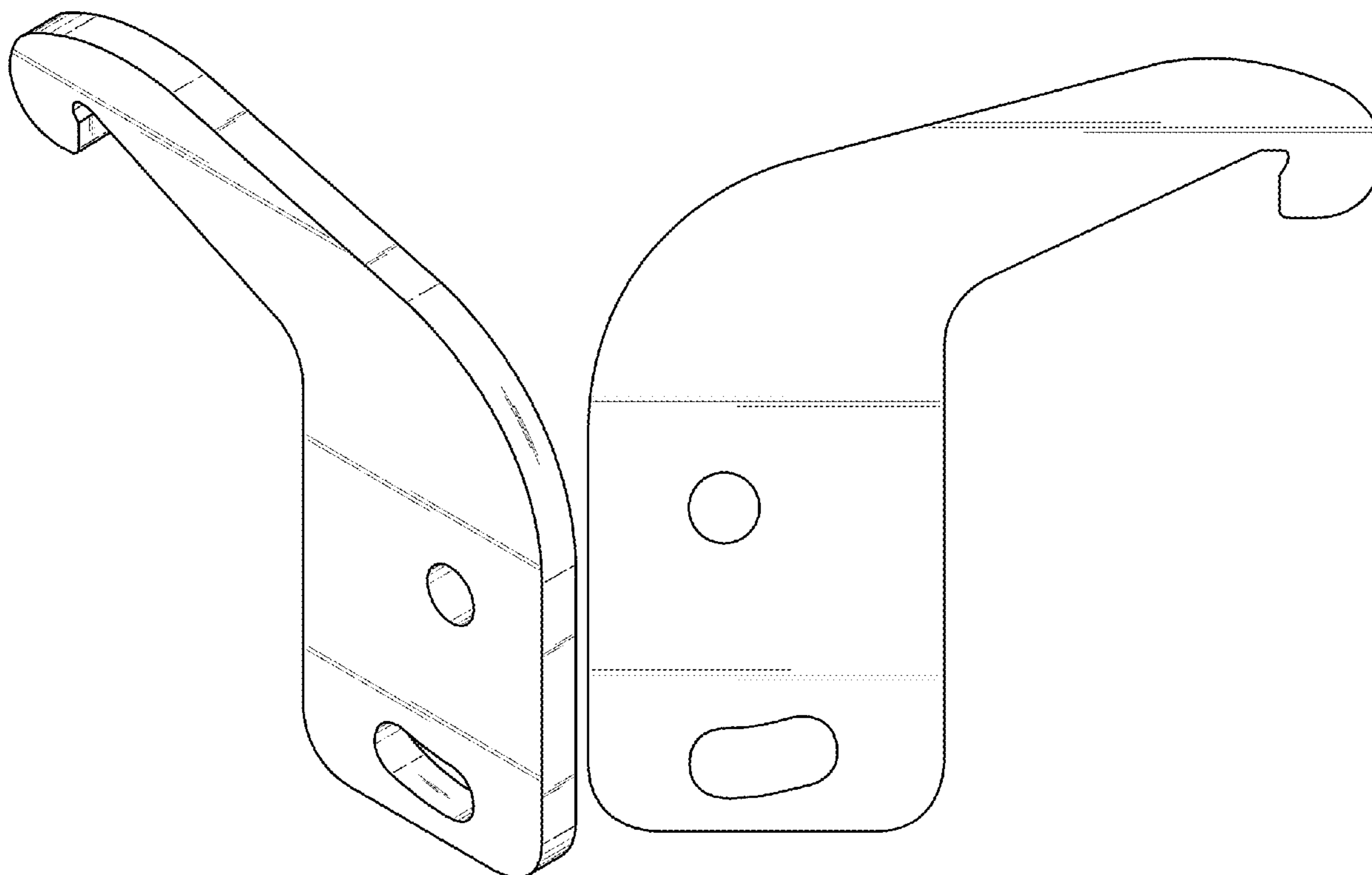
(57) **CLAIM**

The ornamental design for a top bracket for mounting device, as shown and described.

DESCRIPTION

FIG. 1 is a perspective of the top bracket for mounting device in accordance with the present invention; FIG. 2 is a front view of the top bracket for mounting device; FIG. 3 is a back view of the top bracket for mounting device; FIG. 4 is a top view of top bracket for mounting device; FIG. 5 is a bottom view of the top bracket for mounting device; and, FIG. 6 is a left side view of the top bracket for mounting device, the right side view being a mirror image thereof. The broken lines in the disclosure of FIGS. 1-6 is understood to be for illustrative purposes and forms no part of the claimed design.

1 Claim, 6 Drawing Sheets



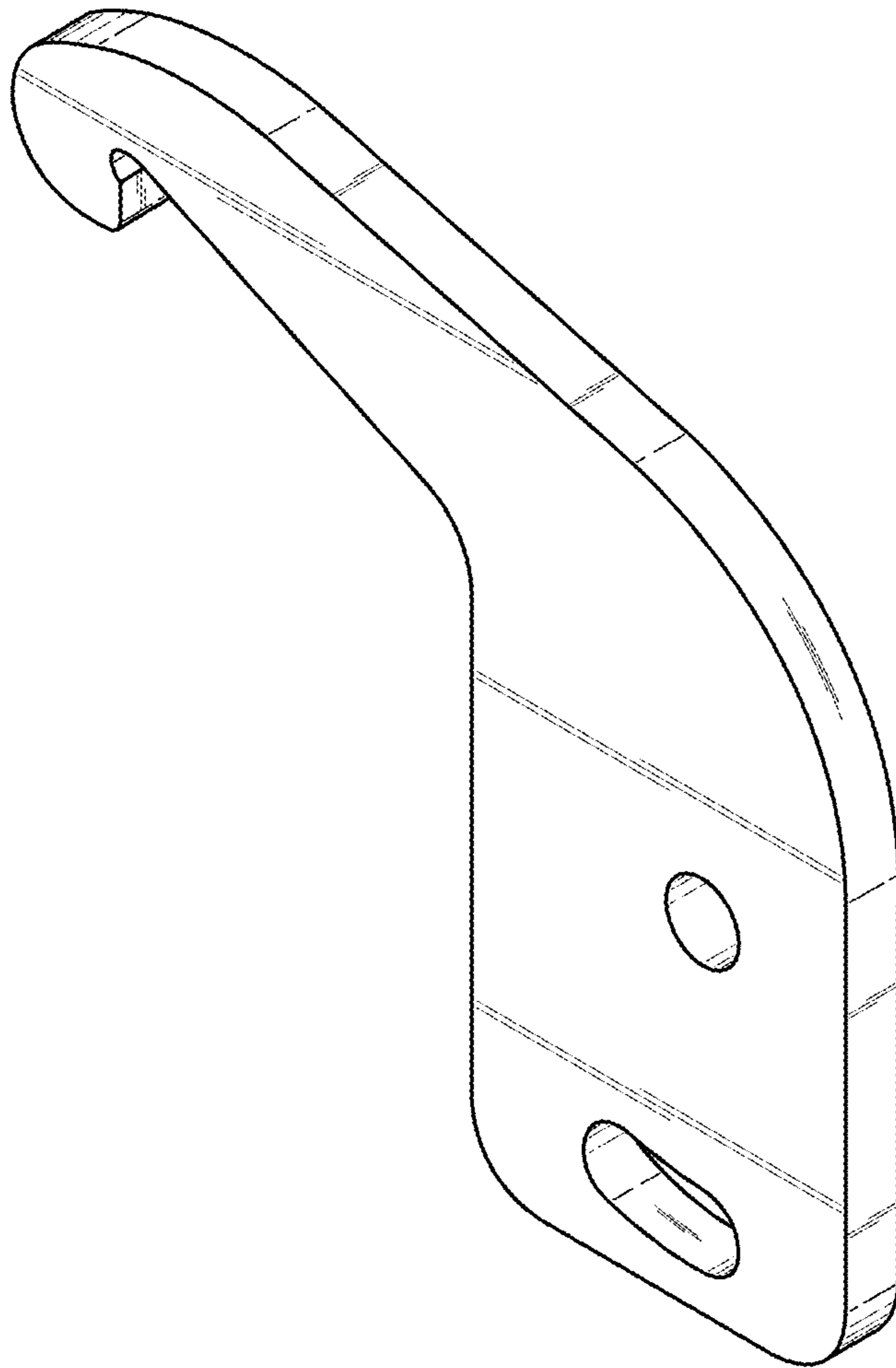


FIG. 1

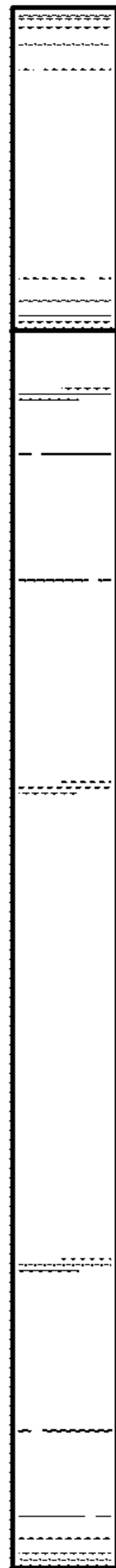


FIG. 2

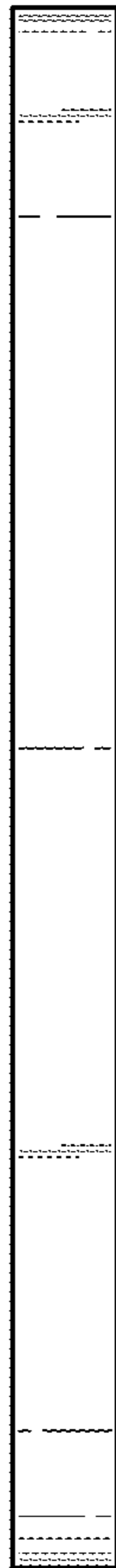


FIG. 3

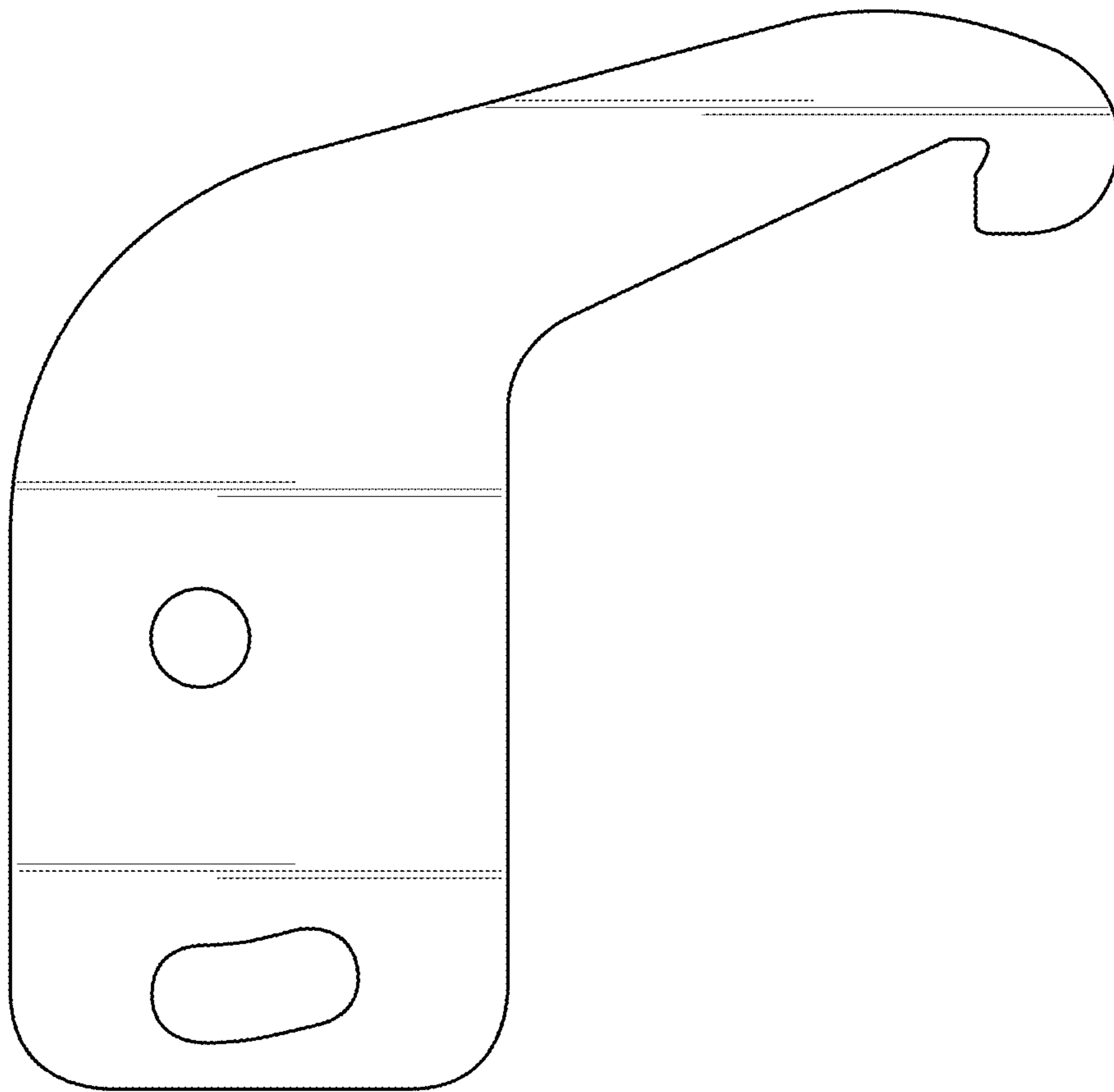


FIG. 4

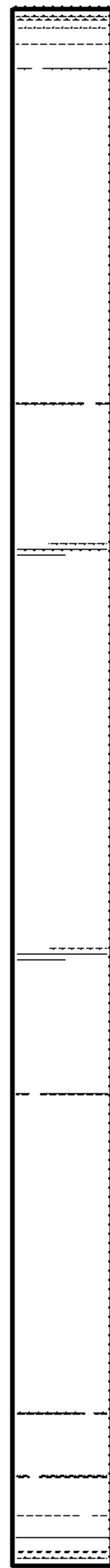


FIG. 5

