



US00D903471S

(12) **United States Design Patent** (10) **Patent No.:** **US D903,471 S**
Deckelman (45) **Date of Patent:** **** Dec. 1, 2020**

(54) **MOUNTING BRACKET**

(71) Applicant: **BOLTONHOOKS LLC**, Westminster, MD (US)

(72) Inventor: **Kenneth J. Deckelman**, Westminster, MD (US)

(73) Assignee: **BOLTONHOOKS LLC**, Westminster, MD (US)

(**) Term: **15 Years**

(21) Appl. No.: **29/679,953**

(22) Filed: **Feb. 12, 2019**

(51) **LOC (12) Cl.** **08-05**

(52) **U.S. Cl.**
USPC **D8/354**

(58) **Field of Classification Search**
USPC D8/354
CPC A47G 7/044; G09F 7/20
See application file for complete search history.

(56) **References Cited**

U.S. PATENT DOCUMENTS

1,877,312 A	9/1932	Heinrich	
2,890,848 A	6/1959	Johnson, Jr.	
D302,518 S	8/1989	Ellison	
D308,116 S	5/1990	Vandergriff	
4,987,522 A	1/1991	Miyano et al.	
D319,966 S	9/1991	Ellison	
D390,091 S *	2/1998	Munger	D8/349
D447,045 S *	8/2001	Hundley	D25/114
6,357,707 B1	3/2002	Lindsay	
7,152,903 B2	12/2006	Westendorf et al.	
7,350,755 B1	4/2008	Harrison	
D570,198 S *	6/2008	Mamula	D8/354
D605,026 S *	12/2009	Lin	D8/354

(Continued)

OTHER PUBLICATIONS

Allstar Performance Ballast Brackets, posted at summitracing.com, posting date by Nov. 2, 2017, [online], [site visited Jul. 24, 2020]. Available from Internet, URL: <https://www.summitracing.com/parts/aaf-all14189/reviews> (Year: 2017).*

(Continued)

Primary Examiner — George D. Kirschbaum

Assistant Examiner — Maria J Edwards

(74) *Attorney, Agent, or Firm* — Rossi, Kimms & McDowell LLP

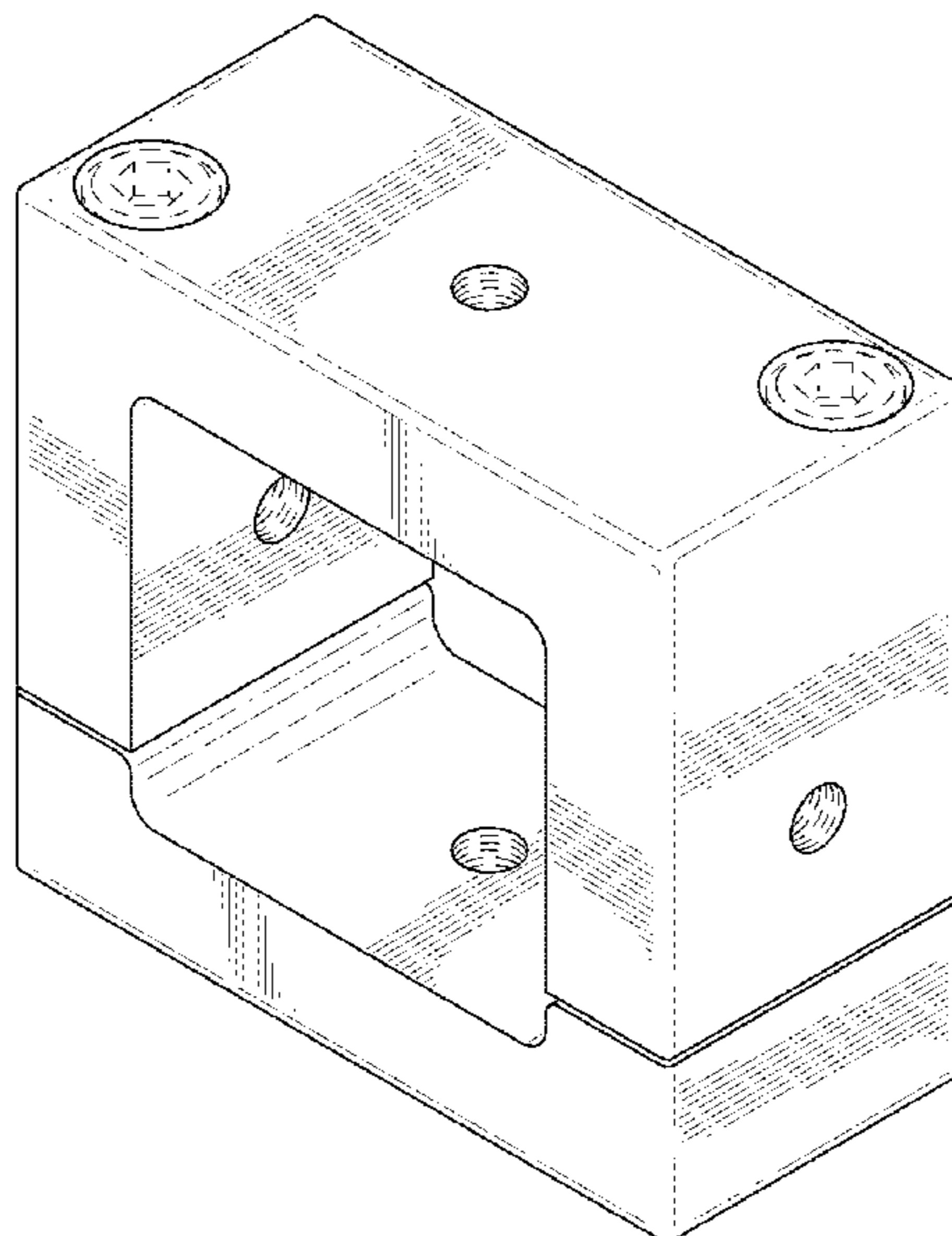
(57) **CLAIM**

I claim the ornamental design for a mounting bracket, as shown and described.

DESCRIPTION

FIG. 1 is a perspective view of the mounting bracket showing a first embodiment of my new design; FIG. 2 is a left side elevational view thereof, the right side elevational view thereof being identical in appearance; and FIG. 3 is a front side elevational view thereof, the rear side elevational view thereof being identical in appearance; FIG. 4 is a top plan view thereof; FIG. 5 is a bottom plan view thereof; FIG. 6 is an exploded perspective view thereof; FIG. 7 is a perspective view of the mounting bracket showing a second embodiment of my new design; FIG. 8 is a left side elevational view thereof, the right side elevational view thereof being identical in appearance; and FIG. 9 is a front side elevational view thereof, the rear side elevational view thereof being identical in appearance; FIG. 10 is a top plan view thereof; FIG. 11 is a bottom plan view thereof; and, FIG. 12 is an exploded perspective view thereof. Dashed lines representing threaded portions and fasteners form no part of the claimed design.

1 Claim, 12 Drawing Sheets



(56)

References Cited

U.S. PATENT DOCUMENTS

D629,920 S * 12/2010 Tezak D25/114
9,096,172 B2 8/2015 Cotta, Sr. et al.
9,610,888 B2 4/2017 Eboli
D791,058 S 7/2017 Laatz
10,053,158 B1 8/2018 Renfro et al.
D831,463 S * 10/2018 Granberg D8/349
D853,665 S * 7/2019 Itzhak-Sigron D30/160
2018/0023757 A1 1/2018 Baiera

OTHER PUBLICATIONS

CNC Spindle Motor Bracket Base Clamp, posted at dhgate.com, posting date not given, [online], [site visited Jul. 24, 2020]. Available from Internet, URL: <https://www.dhgate.com/product/2-piece-cnc-spindle-motor-bracket-base-clamp/554639173.html> (Year: 2020).*

ROPS Clamp, posted at boltonhooks.com, posting date not given, [online], [site visited Jul. 24, 2020]. Available from Internet, URL: <https://www.boltonhooks.com/rops-clamp-and-square-tube-clamps/> (Year: 2020).*

* cited by examiner

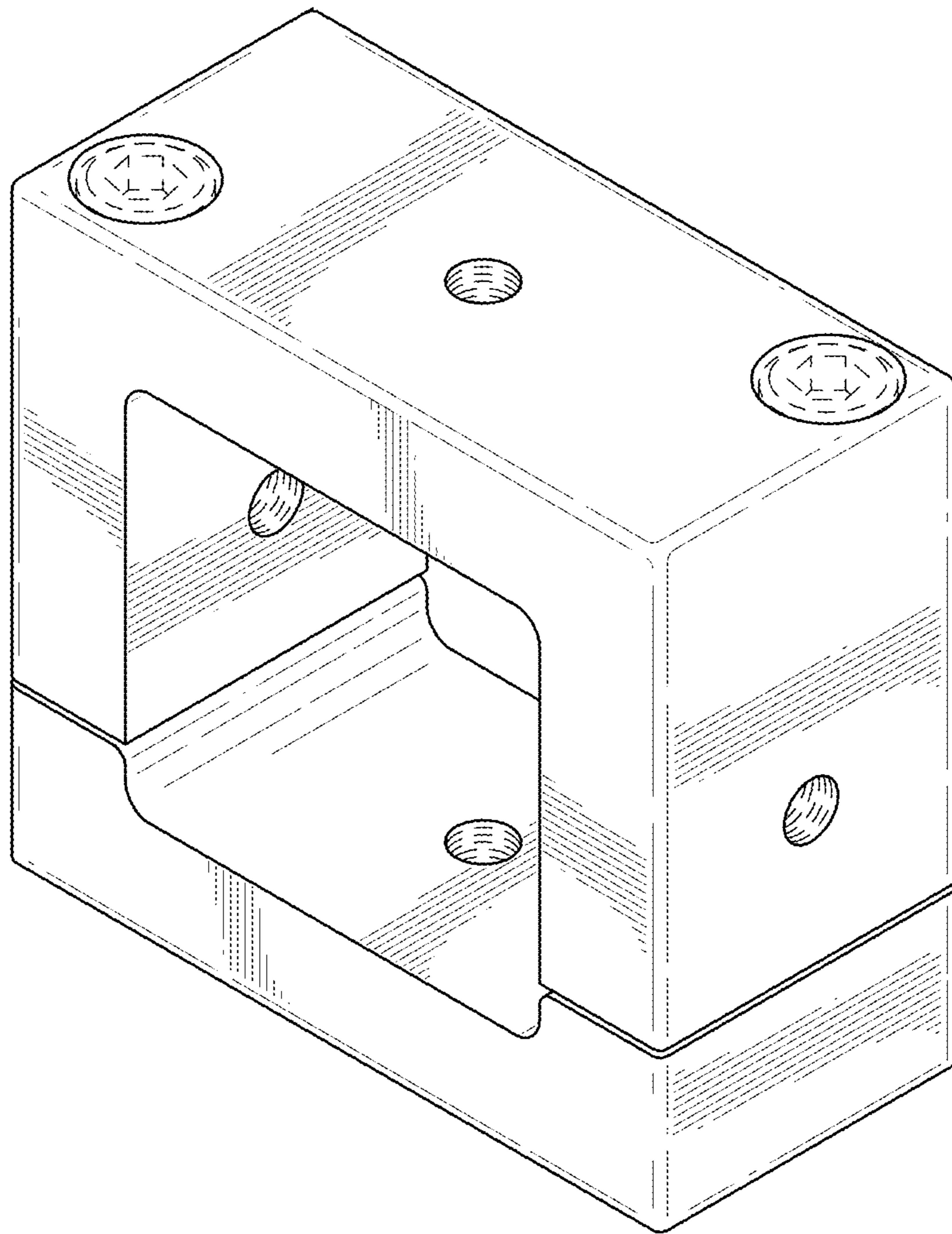


FIG.1

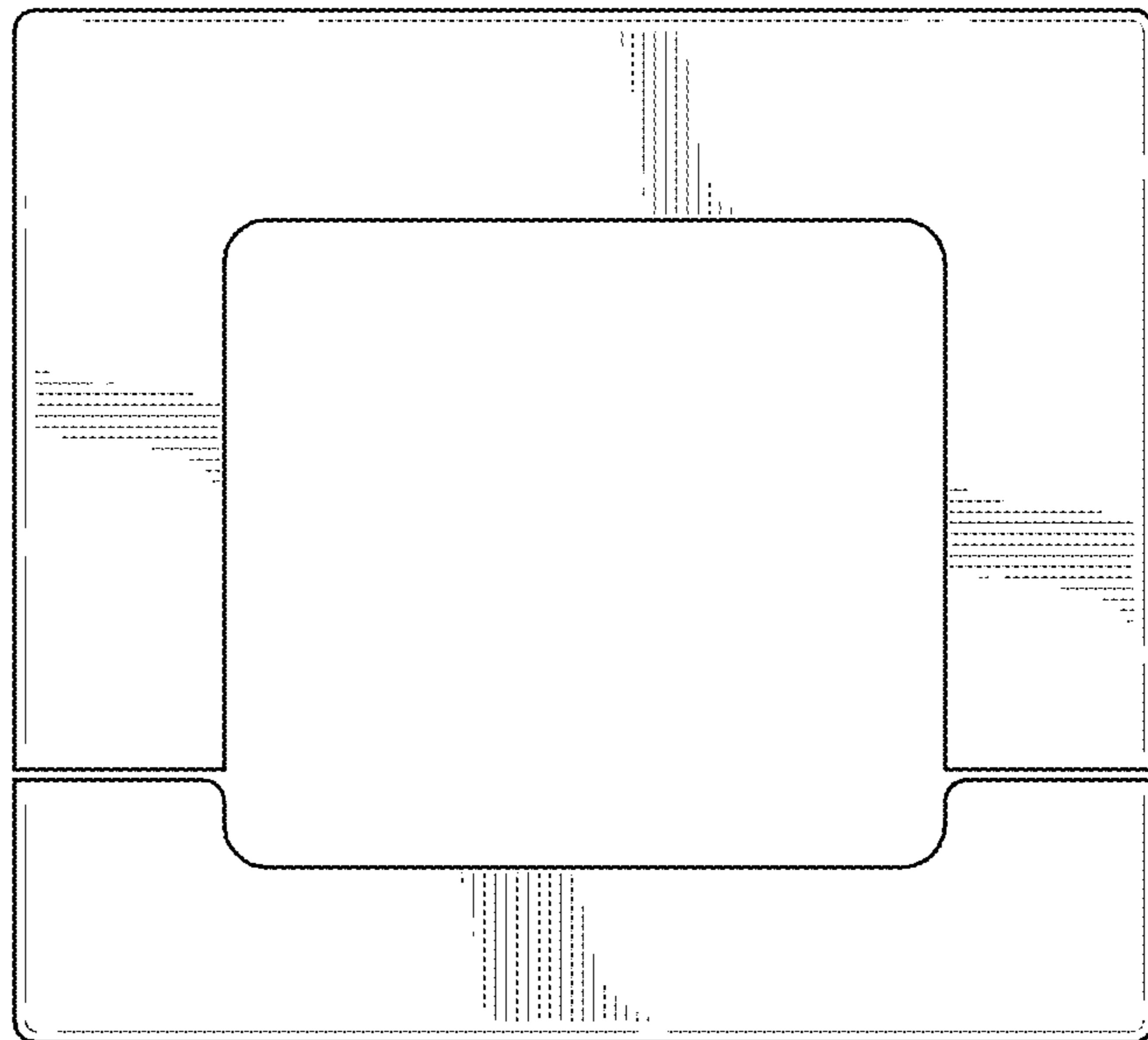


FIG.2

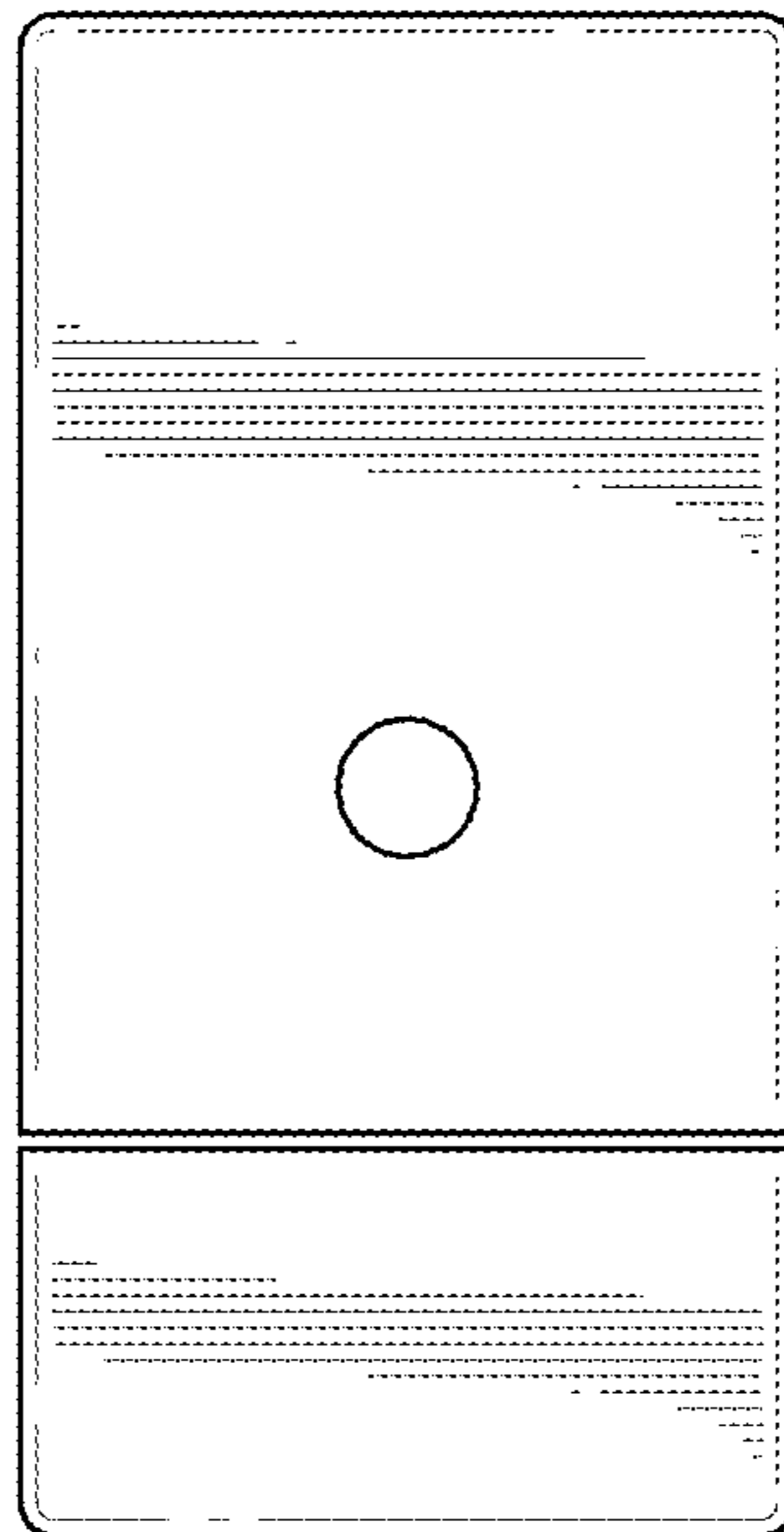


FIG.3

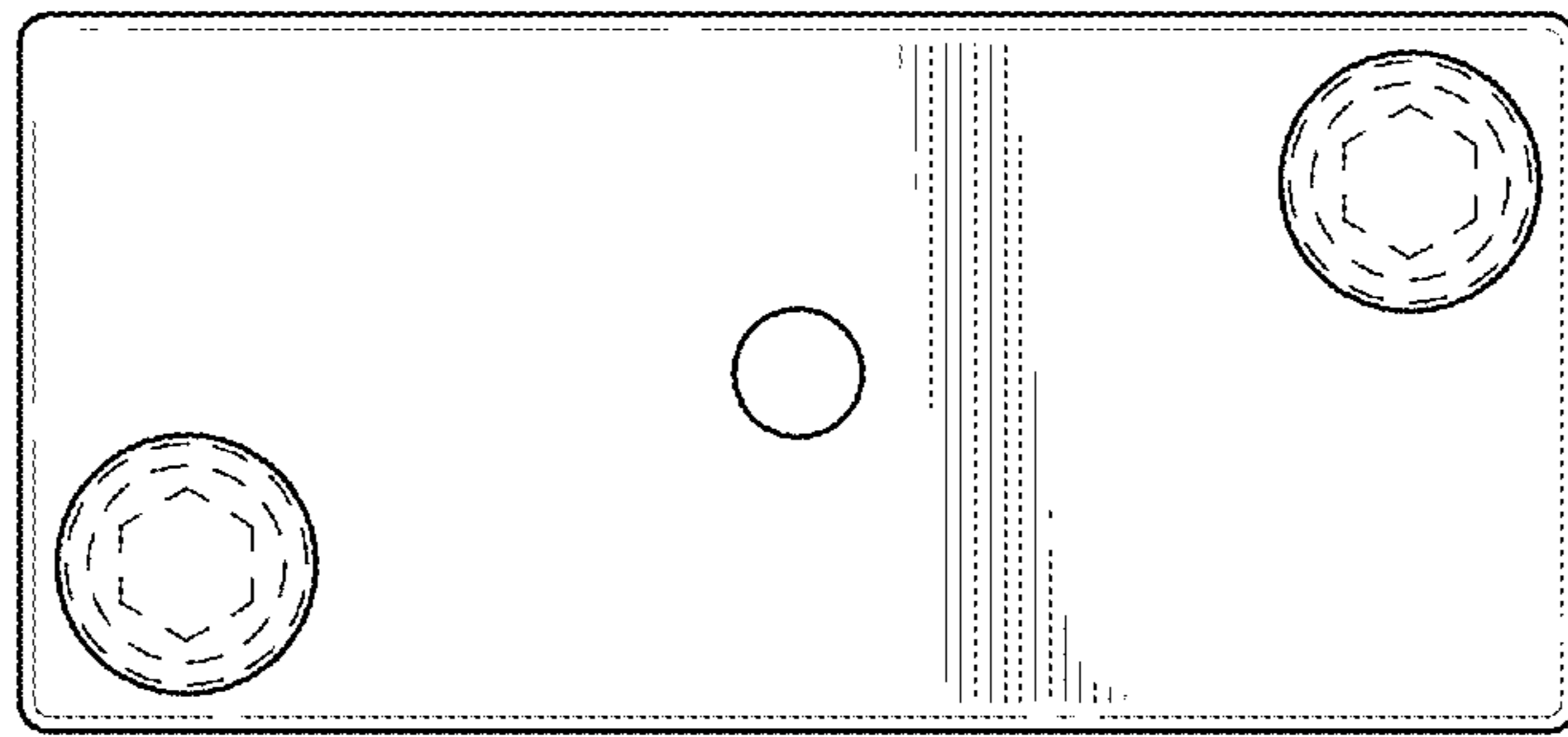


FIG.4

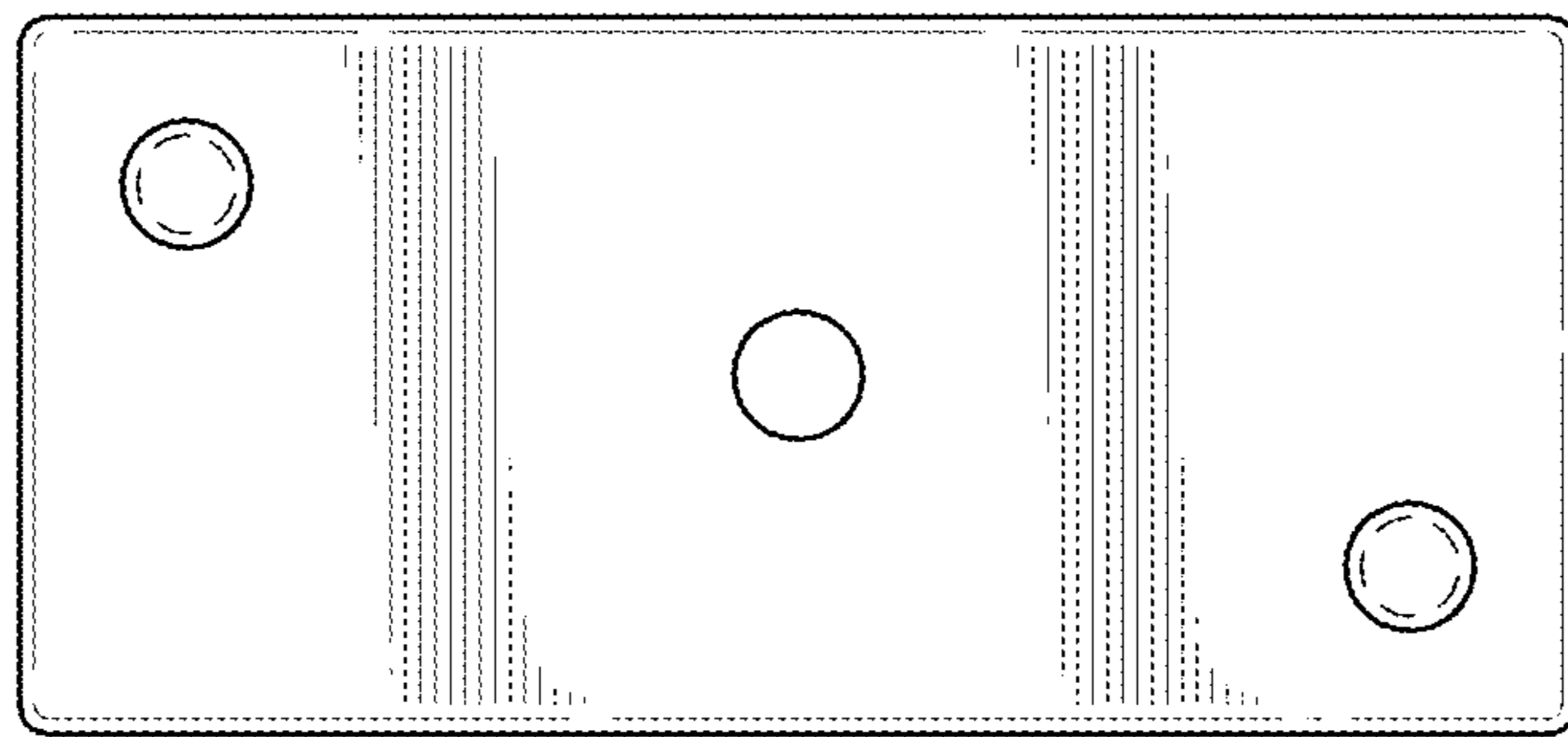


FIG.5

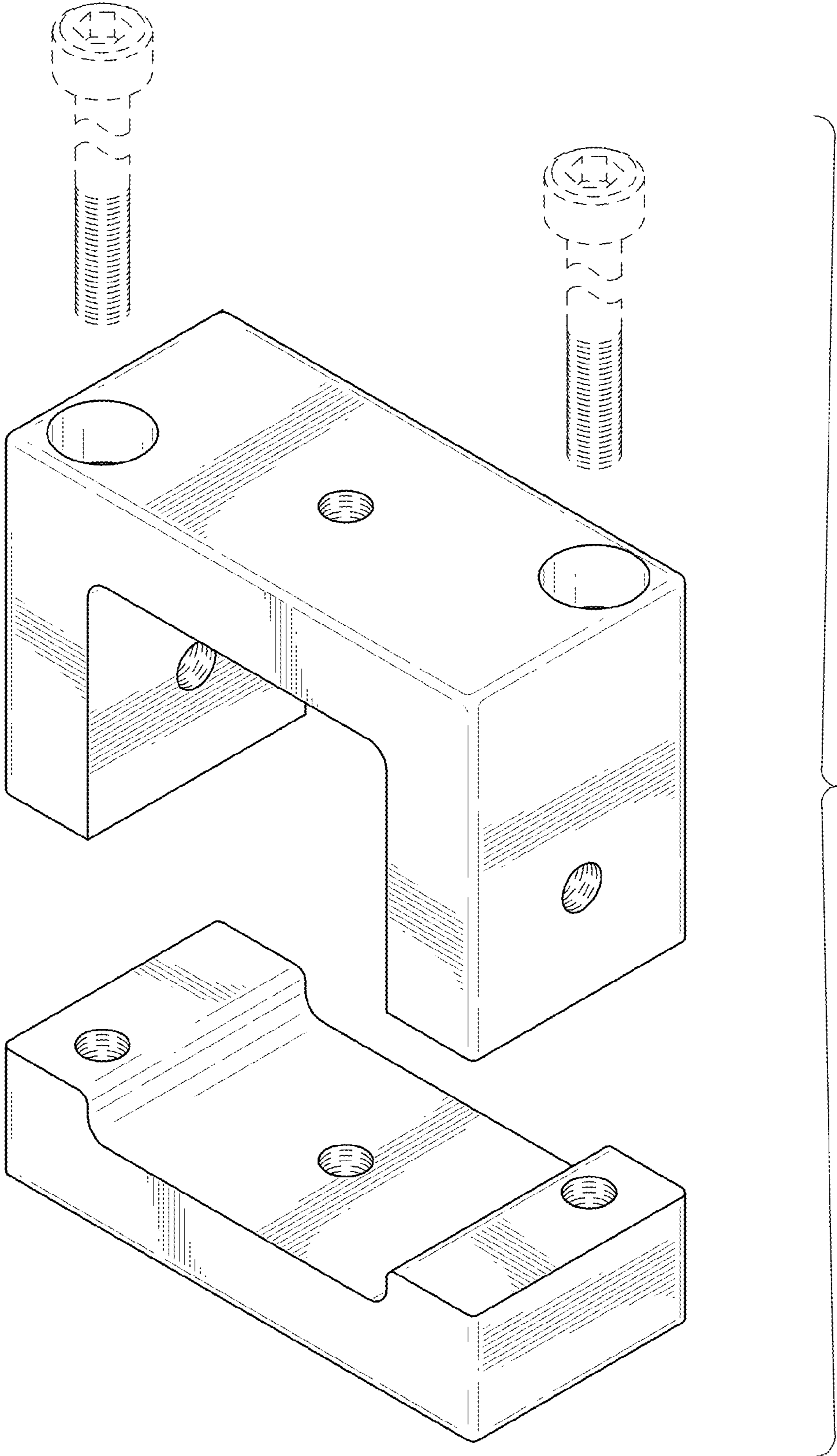


FIG.6

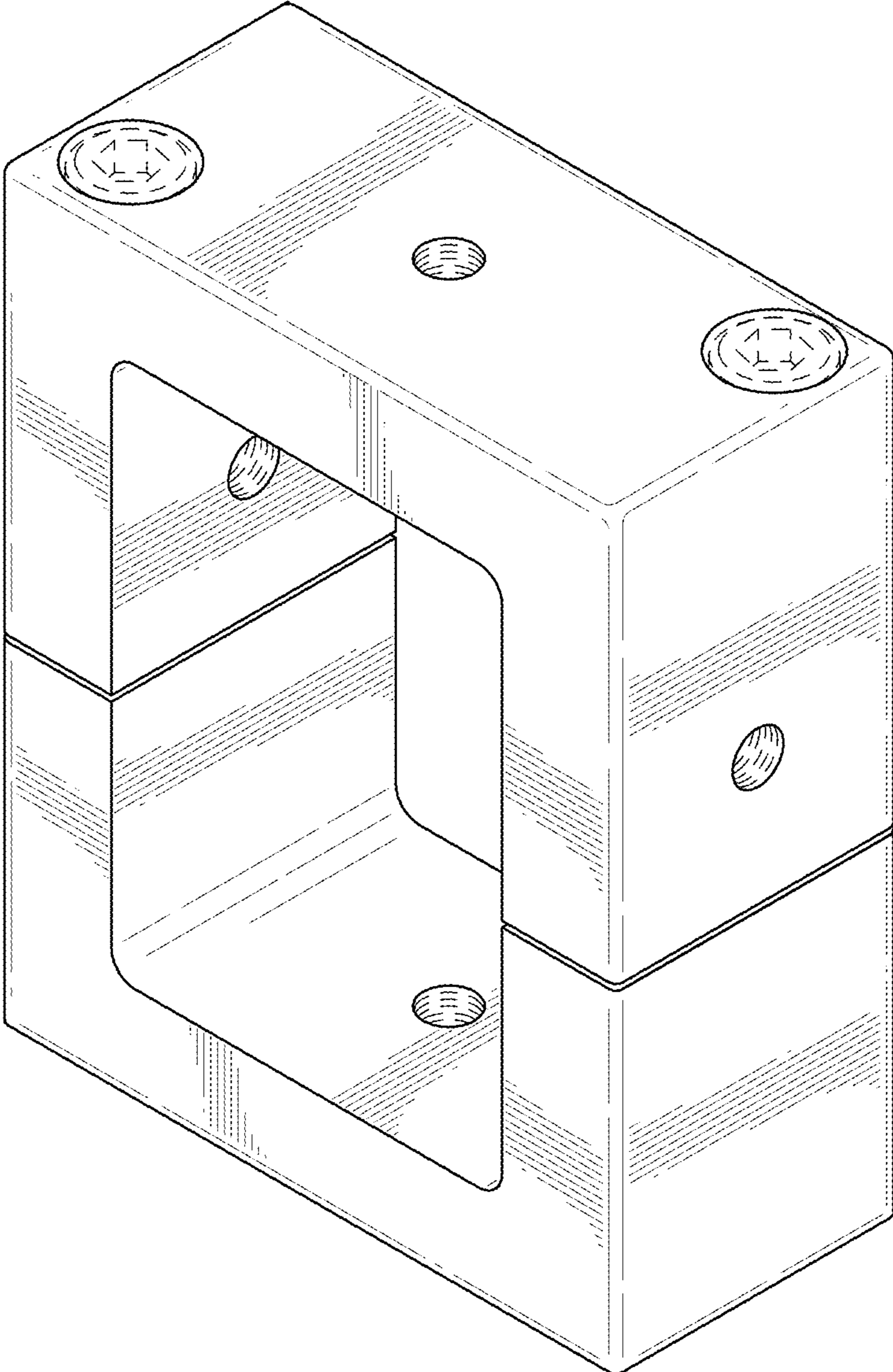


FIG.7

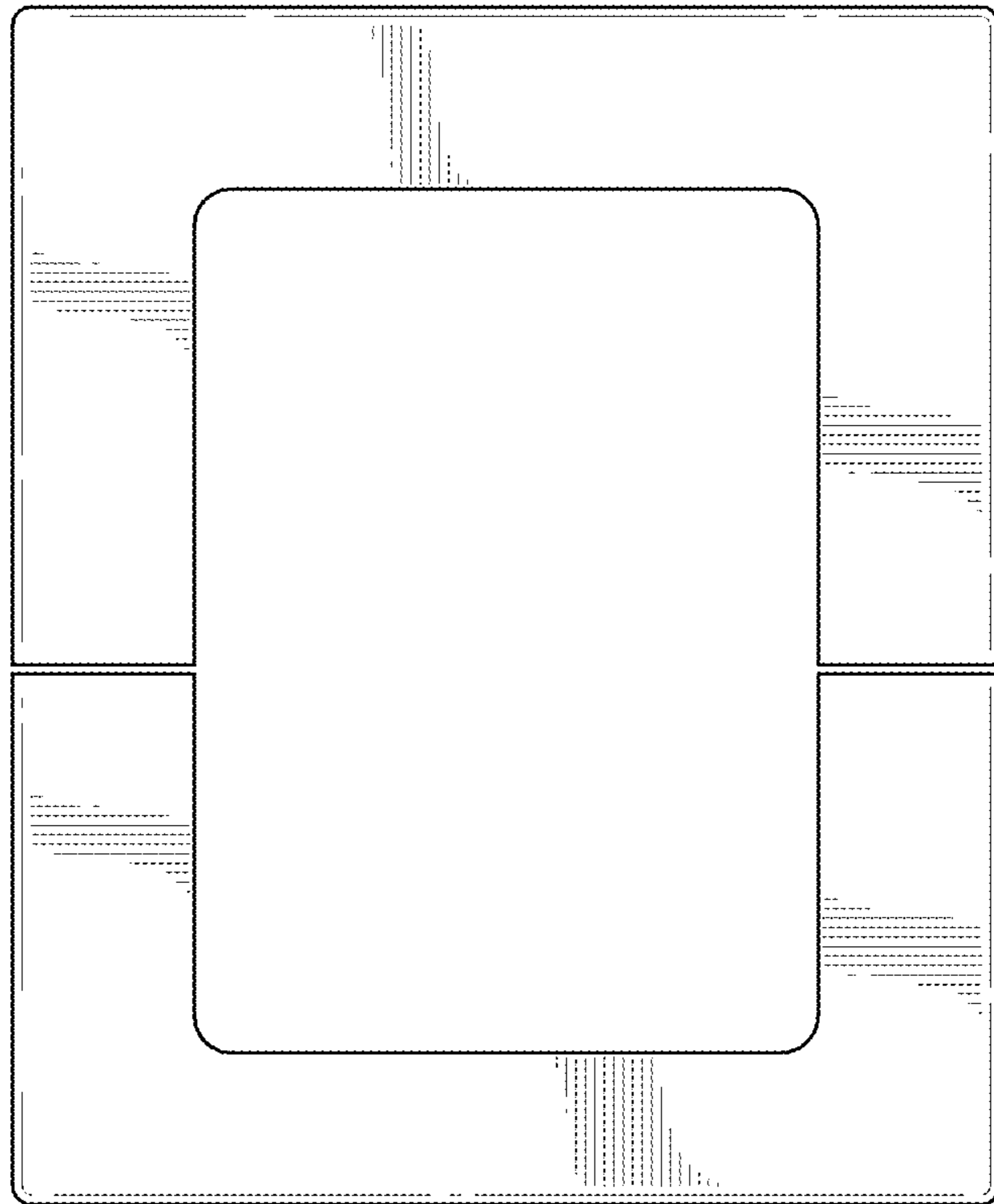


FIG. 8

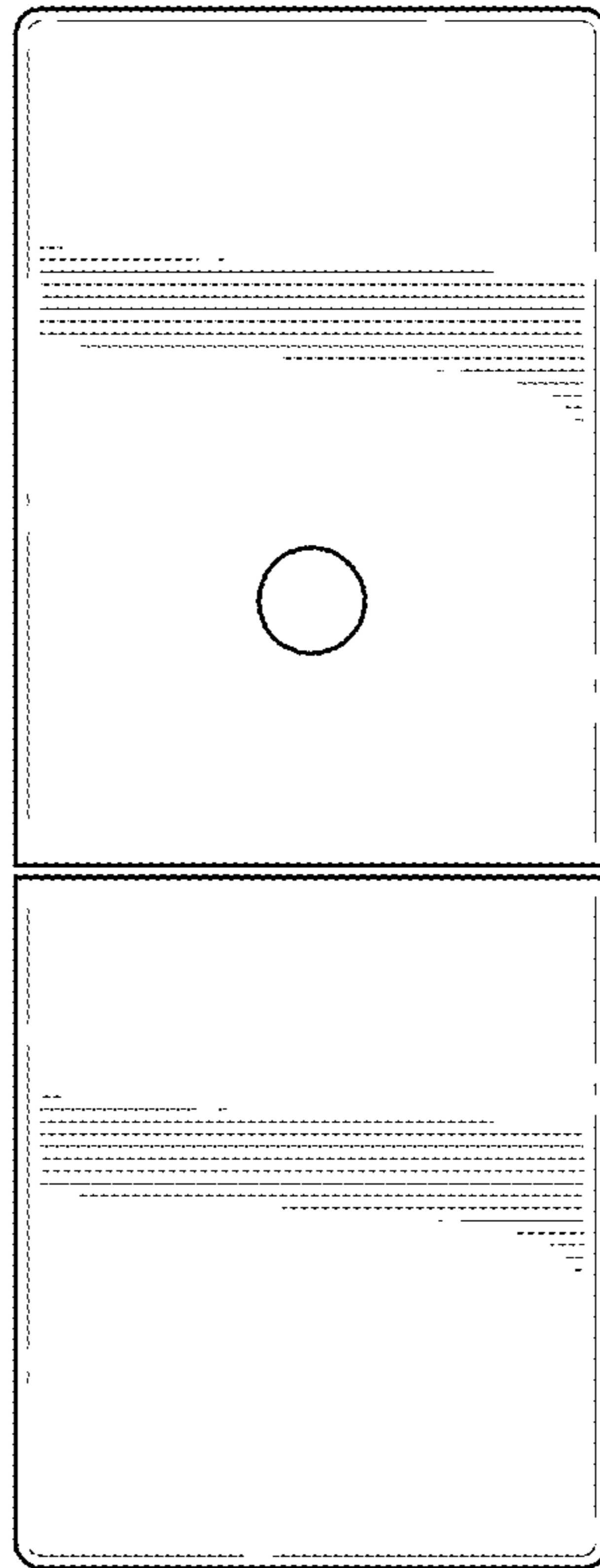


FIG.9

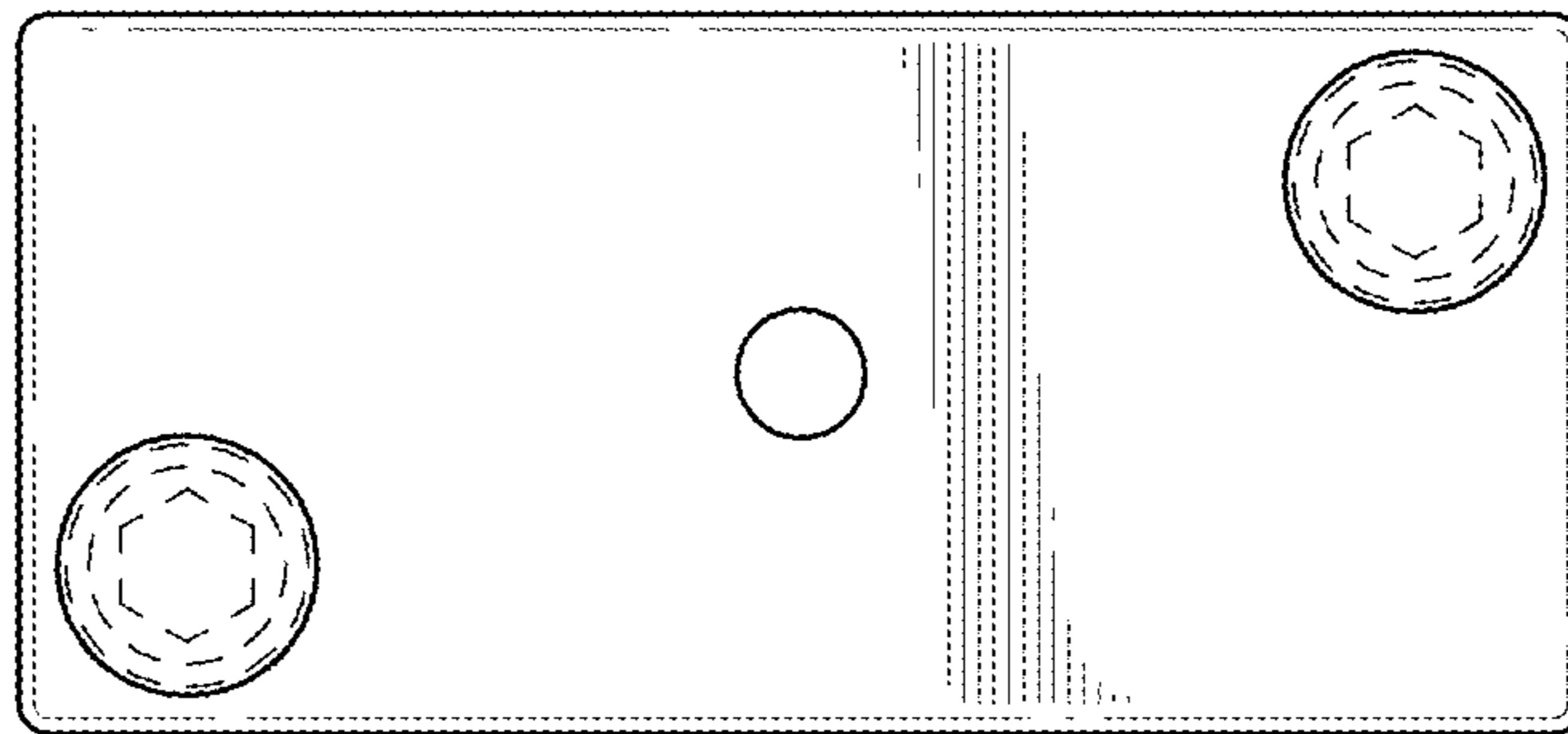


FIG. 10

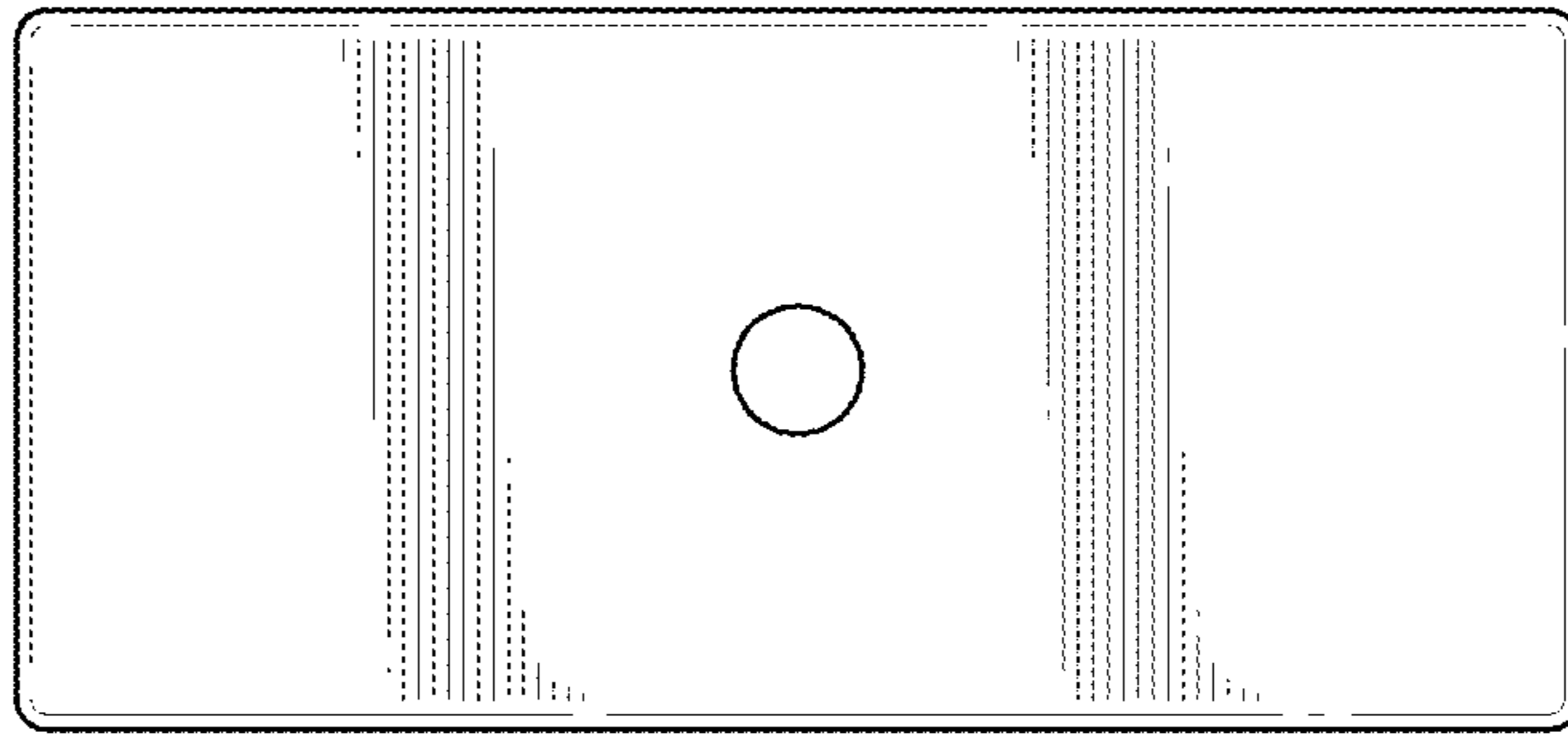


FIG.11

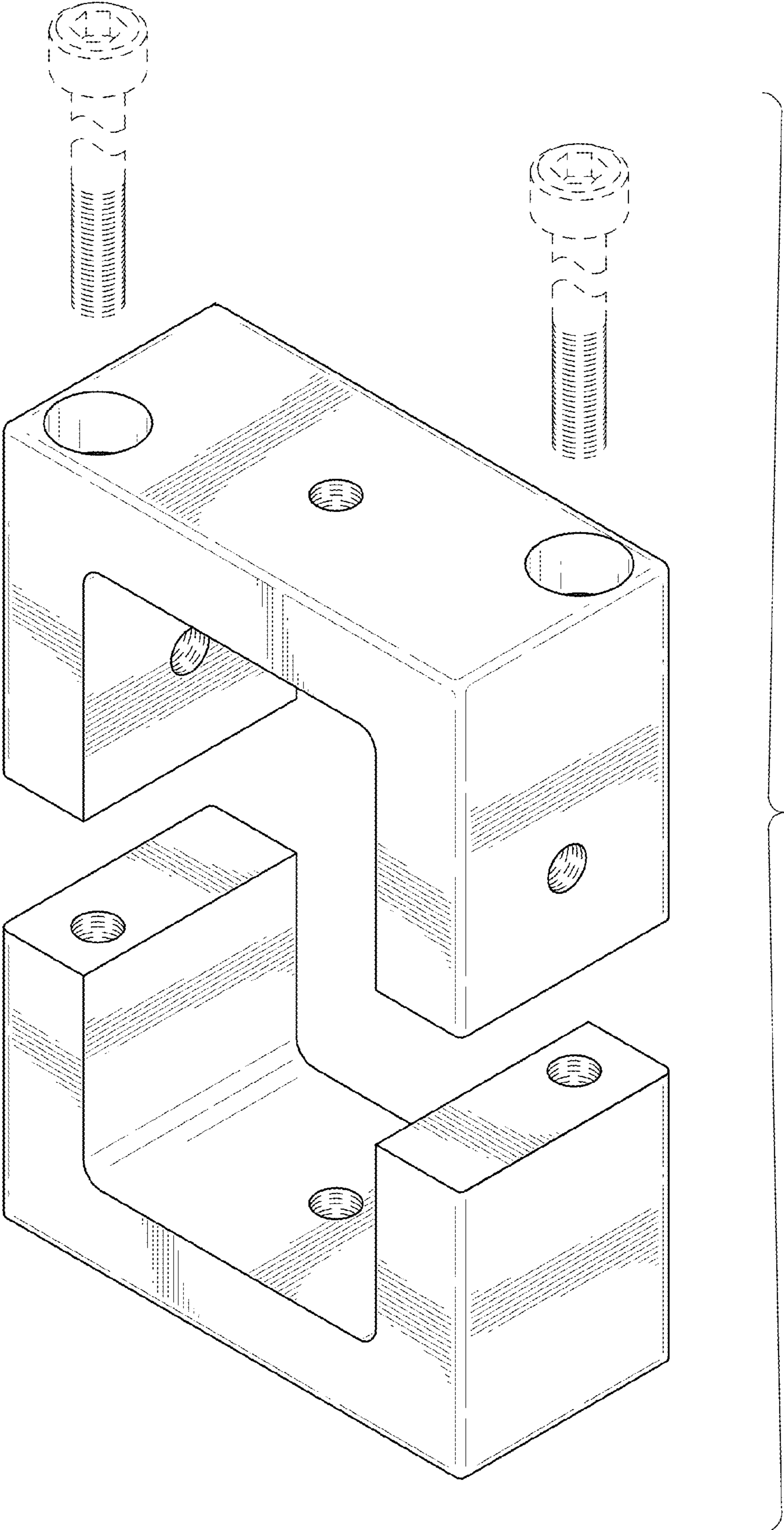


FIG.12