



US00D903470S

(12) **United States Design Patent**  
**Byer**

(10) **Patent No.:** **US D903,470 S**  
(45) **Date of Patent:** **\*\* Dec. 1, 2020**

(54) **TILE SPACER**

(71) Applicant: **Ronald Lee Byer**, Chattanooga, TN (US)

(72) Inventor: **Ronald Lee Byer**, Chattanooga, TN (US)

(\*\*) Term: **15 Years**

(21) Appl. No.: **29/678,180**

(22) Filed: **Jan. 25, 2019**

(51) **LOC (12) Cl.** ..... **08-05**

(52) **U.S. Cl.**  
USPC ..... **D8/354**

(58) **Field of Classification Search**  
USPC ..... D8/354  
CPC ..... A47G 7/044; G09F 7/20; E04F 21/0092;  
E04F 15/02022; Y10S 269/904  
See application file for complete search history.

(56) **References Cited**

**U.S. PATENT DOCUMENTS**

- 4,793,068 A \* 12/1988 Golkar ..... E04F 21/0092  
33/518
- D303,716 S \* 9/1989 Waller ..... D8/354
- 5,418,036 A \* 5/1995 Tokikawa ..... E04F 21/18  
404/134
- D678,039 S \* 3/2013 Psaila ..... D8/354

**OTHER PUBLICATIONS**

5MM Tile Spacer, posted at stlfinder.com, posting date not given, [online], [site visited Jul. 8, 2020]. Available from Internet, URL: <https://www.stlfinder.com/model/5mm-tile-spacer/4876598/> (Year: 2020).\*

RTC Products SPC14BBX Ultimate X Leave in Tile Spacer, posted at floorsupplies.net, posting date not given, [online], [site visited Jul. 8, 2020]. Available from Internet, URL: <https://www.floorsupplies.net>.

net/products/rtc-products-spc14bbx-5000-piece-0-25-in-ultimate-x-leave-in-tile-spacer (Year: 2020).\*

Tile spacer 7mm, posted at bellota.com, posting date not given, [online], [site visited Jul. 8, 2020]. Available from Internet, URL: <https://www.bellota.com/en-ni/construction/tile-spacers/tile-spacer-7-mm> (Year: 2020).\*

\* cited by examiner

*Primary Examiner* — George D. Kirschbaum

*Assistant Examiner* — Maria J Edwards

(74) *Attorney, Agent, or Firm* — Muncy, Geissler, Olds & Lowe, P.C.

(57) **CLAIM**

The ornamental design for a tile spacer, as shown and described.

**DESCRIPTION**

FIG. 1 is a perspective view of an embodiment of a tile spacer showing my new design;

FIG. 2 is a front view thereof;

FIG. 3 is a rear view thereof;

FIG. 4 is a left side view thereof;

FIG. 5 is a right side view thereof;

FIG. 6 is a top plan view thereof; and

FIG. 7 is a bottom plan view thereof.

FIG. 8 is a perspective view of another embodiment of a tile spacer showing my new design.

FIG. 9 is a front view thereof;

FIG. 10 is a rear view thereof;

FIG. 11 is a left side view thereof;

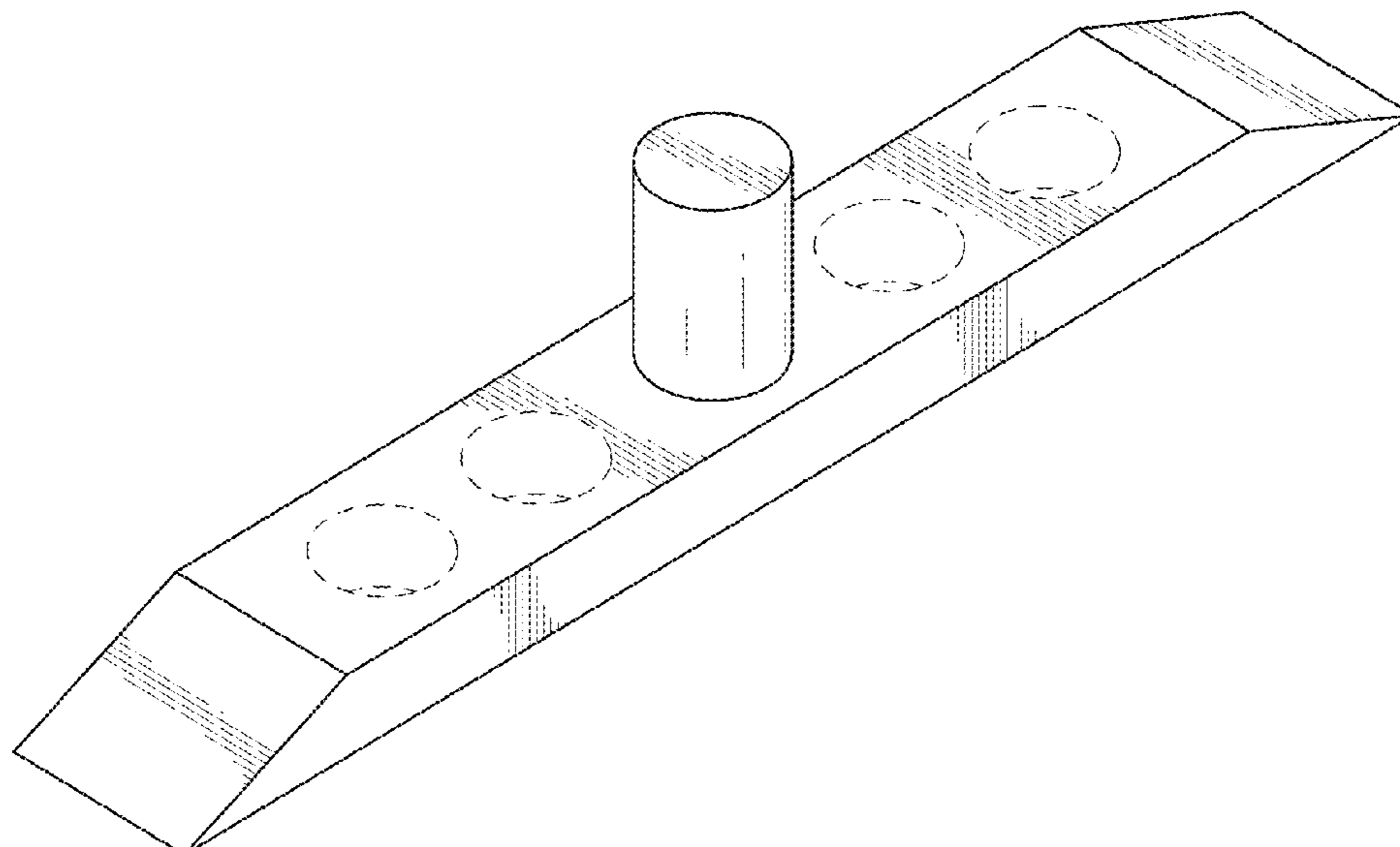
FIG. 12 is a right side view thereof;

FIG. 13 is a top plan view thereof; and,

FIG. 14 is a bottom plan view thereof.

The broken line showing of openings is for the purpose of illustrating portions of the tile spacer, which form no part of the claimed design.

**1 Claim, 8 Drawing Sheets**



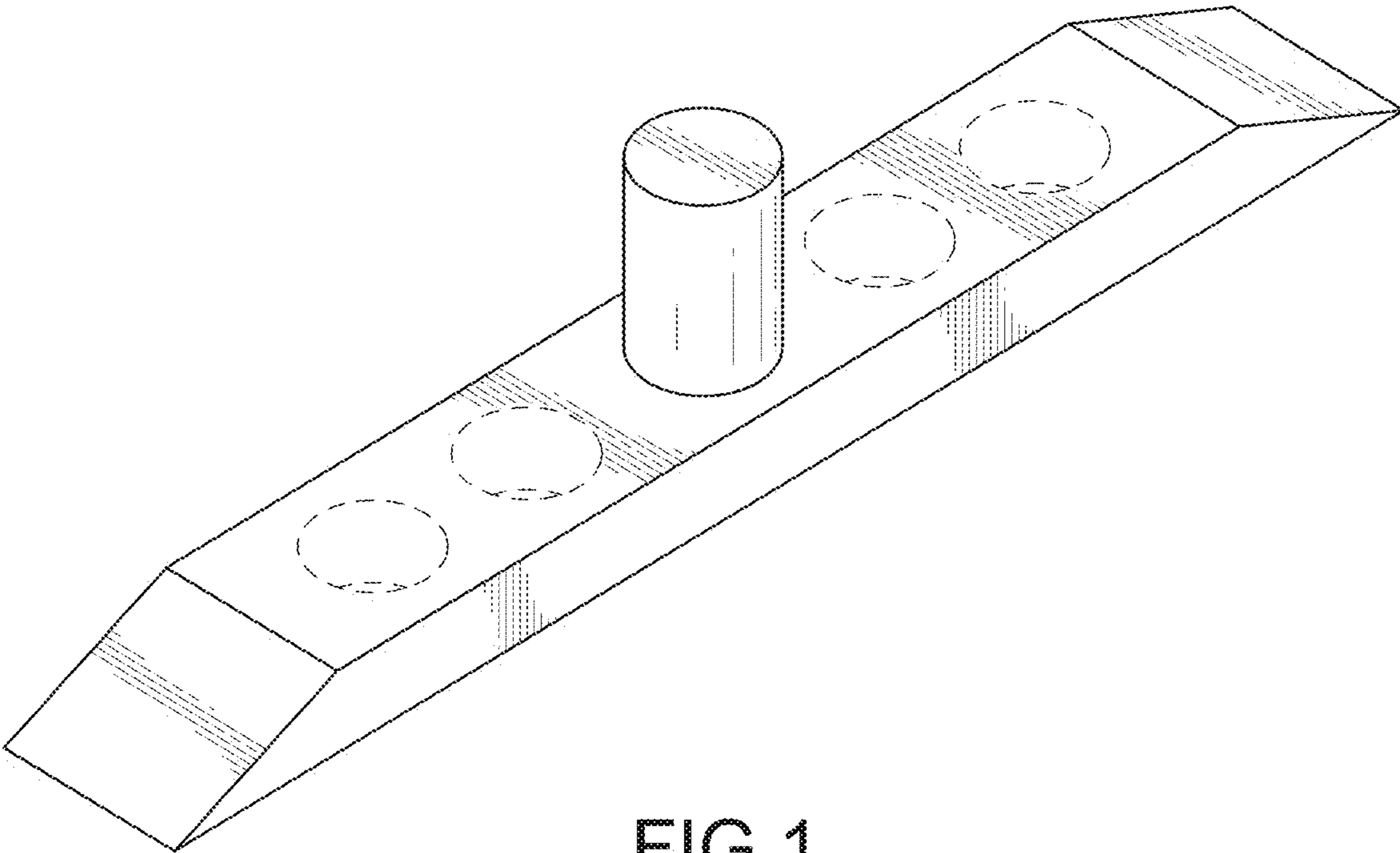


FIG.1

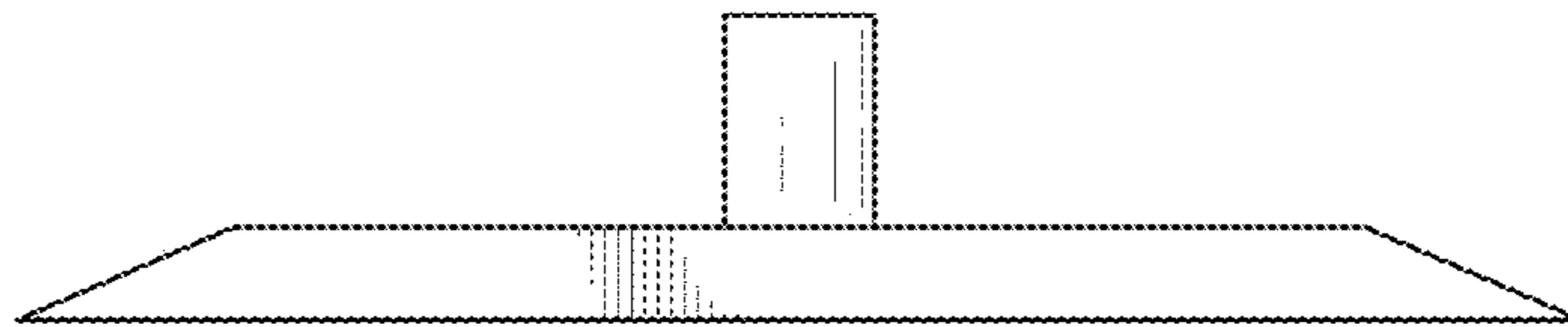


FIG. 2

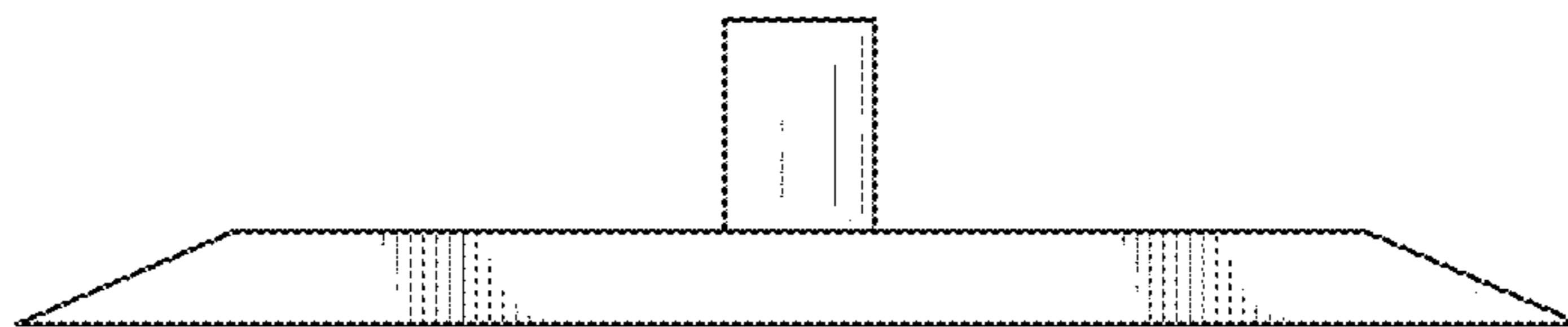


FIG. 3

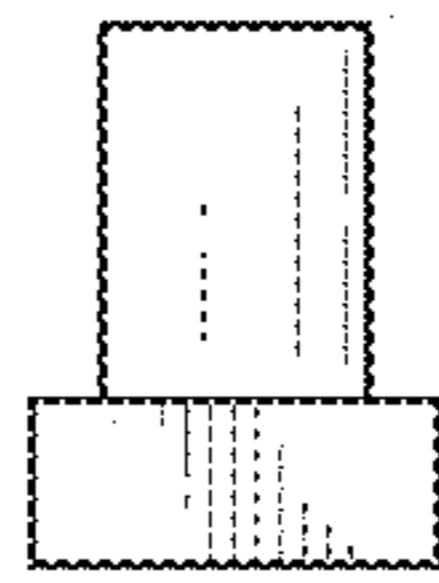


FIG. 4

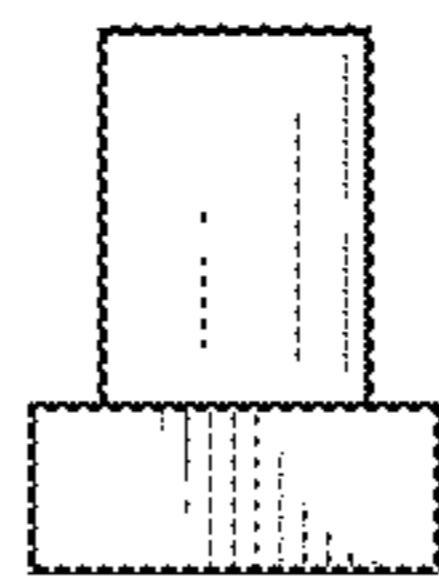


FIG. 5

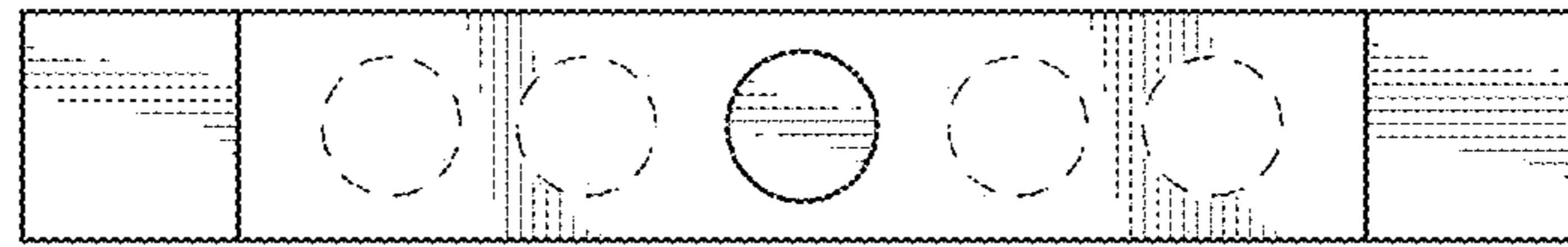


FIG. 6

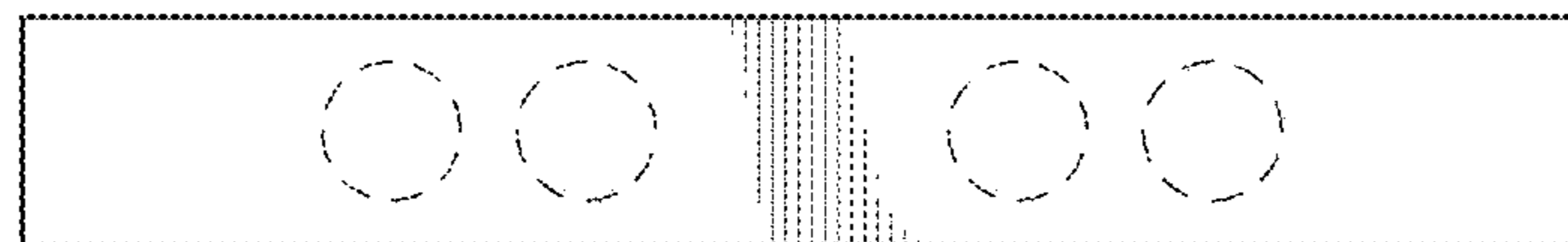


FIG. 7

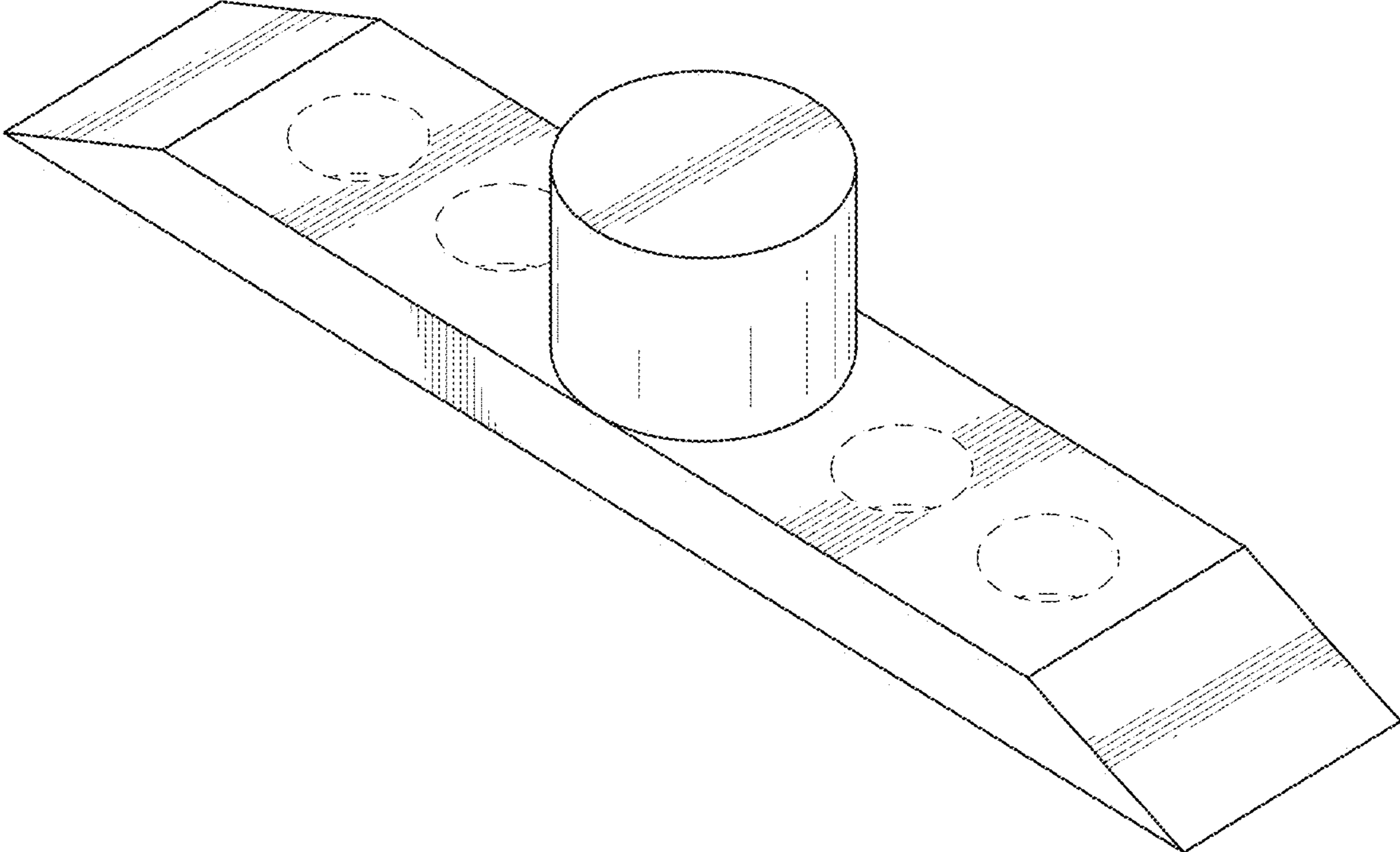


FIG.8

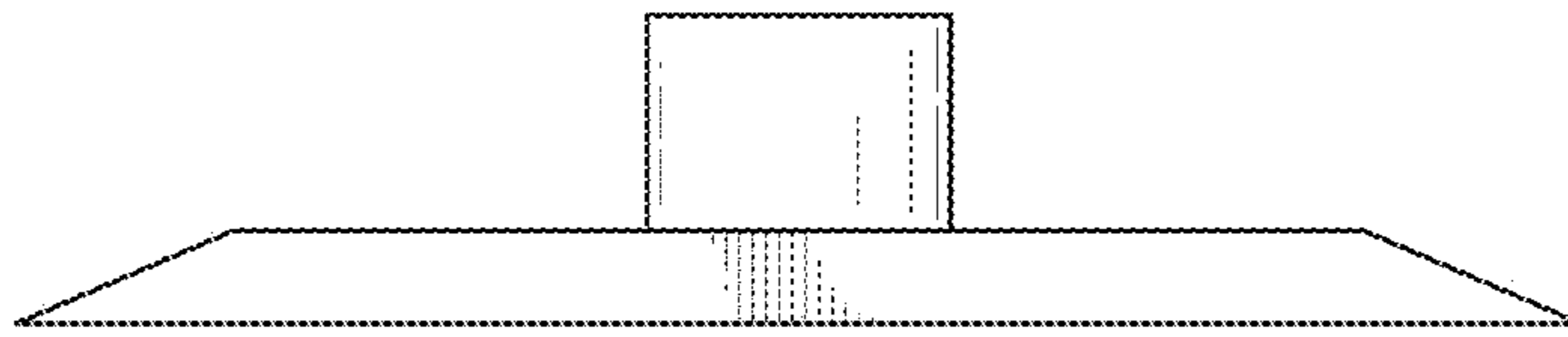


FIG. 9

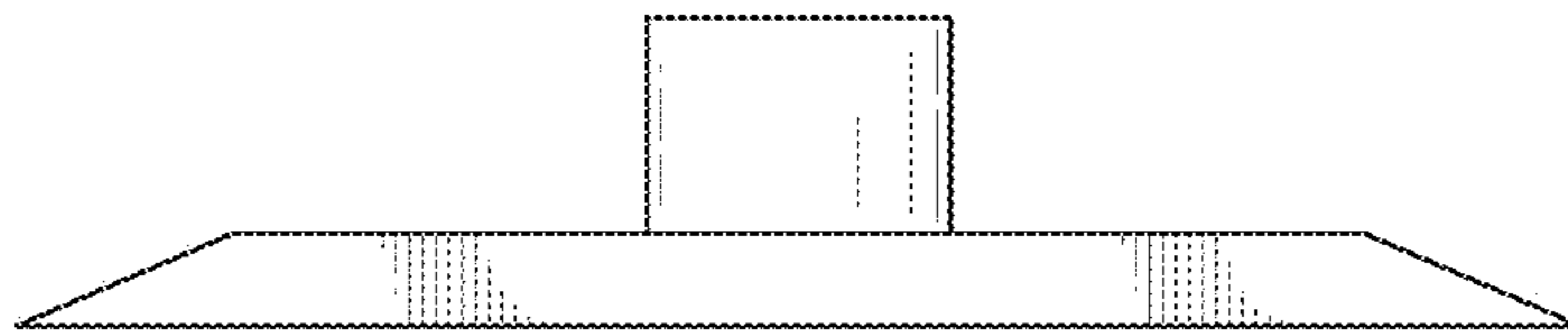


FIG. 10

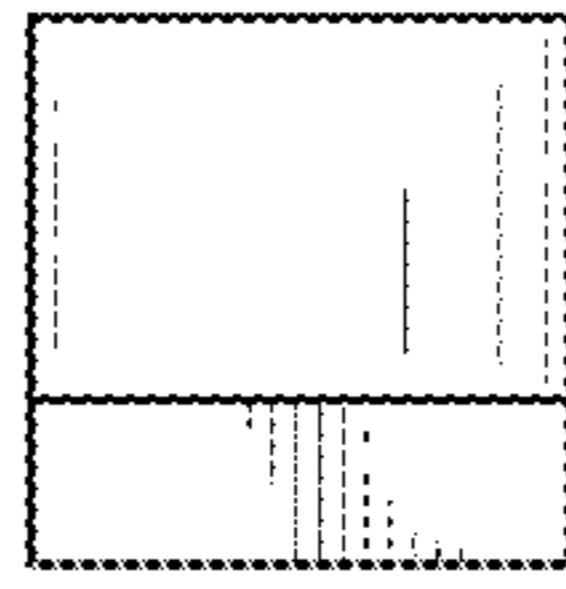


FIG. 11

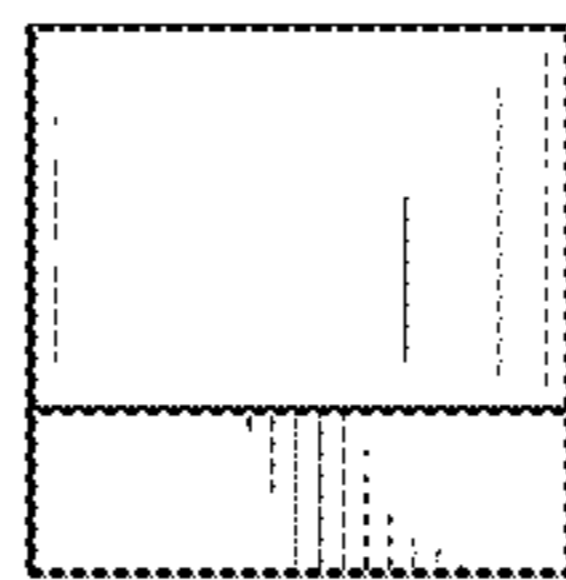


FIG. 12



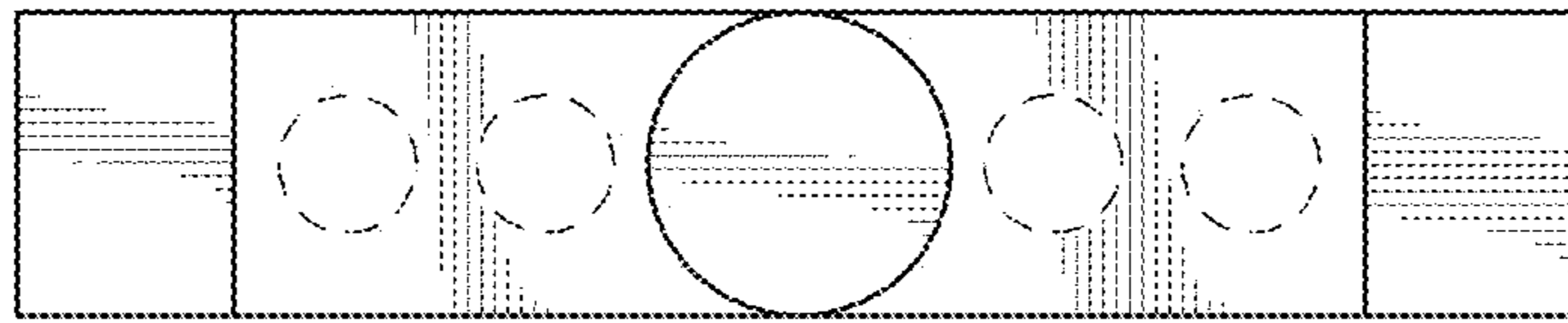


FIG. 13

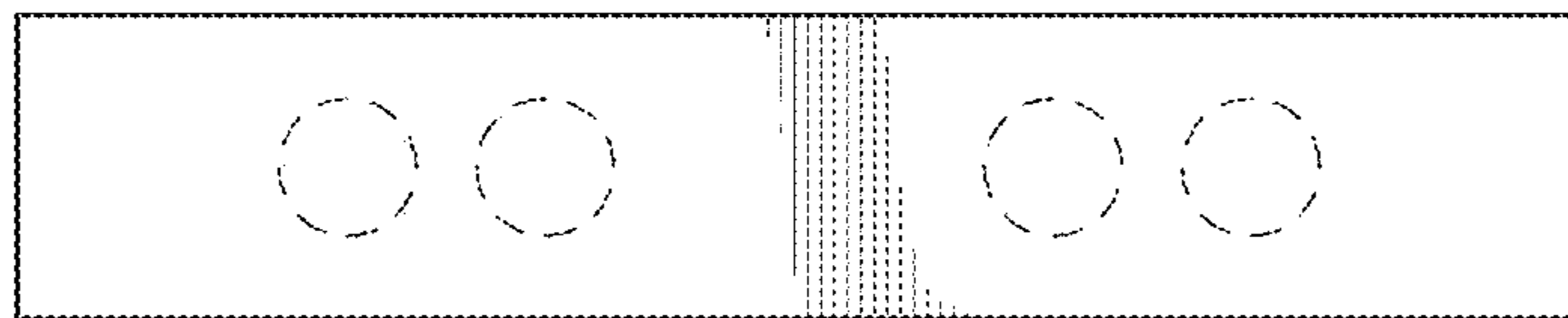


FIG. 14