



US00D903469S

(12) **United States Design Patent**  
**Wang**

(10) **Patent No.:** **US D903,469 S**

(45) **Date of Patent:** **\*\* Dec. 1, 2020**

- (54) **SILICONE SUCTION CUP**
- (71) Applicant: **Zhihu Wang**, Shenzhen (CN)
- (72) Inventor: **Zhihu Wang**, Shenzhen (CN)
- (73) Assignee: **Shenzhen Huwang Silicone Rubber Manufacturing Co., Ltd**, Shenzhen (CN)
- (\*\*) Term: **15 Years**
- (21) Appl. No.: **29/684,429**
- (22) Filed: **Mar. 21, 2019**
- (51) **LOC (12) Cl.** ..... **08-08**
- (52) **U.S. Cl.**  
USPC ..... **D8/349**
- (58) **Field of Classification Search**  
USPC ..... D7/619.1-625; D8/349, 354, 355, 363, D8/373-377, 356, 382, 331-332; D11/200, 220, 231; D12/223, 114  
CPC .. A47F 5/00; A47H 1/10; A47G 29/00; A47G 29/08; A47B 97/00; A47K 3/14; H02J 7/0026; H02J 7/0021; H02J 7/0027; Y02E 60/12; H01R 13/72; A61M 5/1418  
See application file for complete search history.

D539,117 S *	3/2007	Sealey	.....	D8/349
D551,943 S *	10/2007	Hodjat	.....	D8/349
D648,179 S *	11/2011	Myers	.....	D7/523
D708,677 S *	7/2014	Baumann	.....	D21/398
D712,235 S *	9/2014	Hoover	.....	D8/349
D713,705 S *	9/2014	Mina	.....	D8/68
D723,896 S *	3/2015	Durfee	.....	D8/70
D780,558 S *	3/2017	Mouthaan	.....	D8/354
D789,157 S *	6/2017	Esposito	.....	D7/624.2
D836,973 S *	1/2019	Masifilo	.....	D7/392
D859,968 S *	9/2019	West	.....	D8/382
D874,916 S *	2/2020	Wigboldy	.....	D8/399
D883,070 S *	5/2020	Zhang	.....	D8/349
D886,648 S *	6/2020	Carroll	.....	D10/64

\* cited by examiner

*Primary Examiner* — Mark A Goodwin  
*Assistant Examiner* — Benjamin M Weeks

(57) **CLAIM**

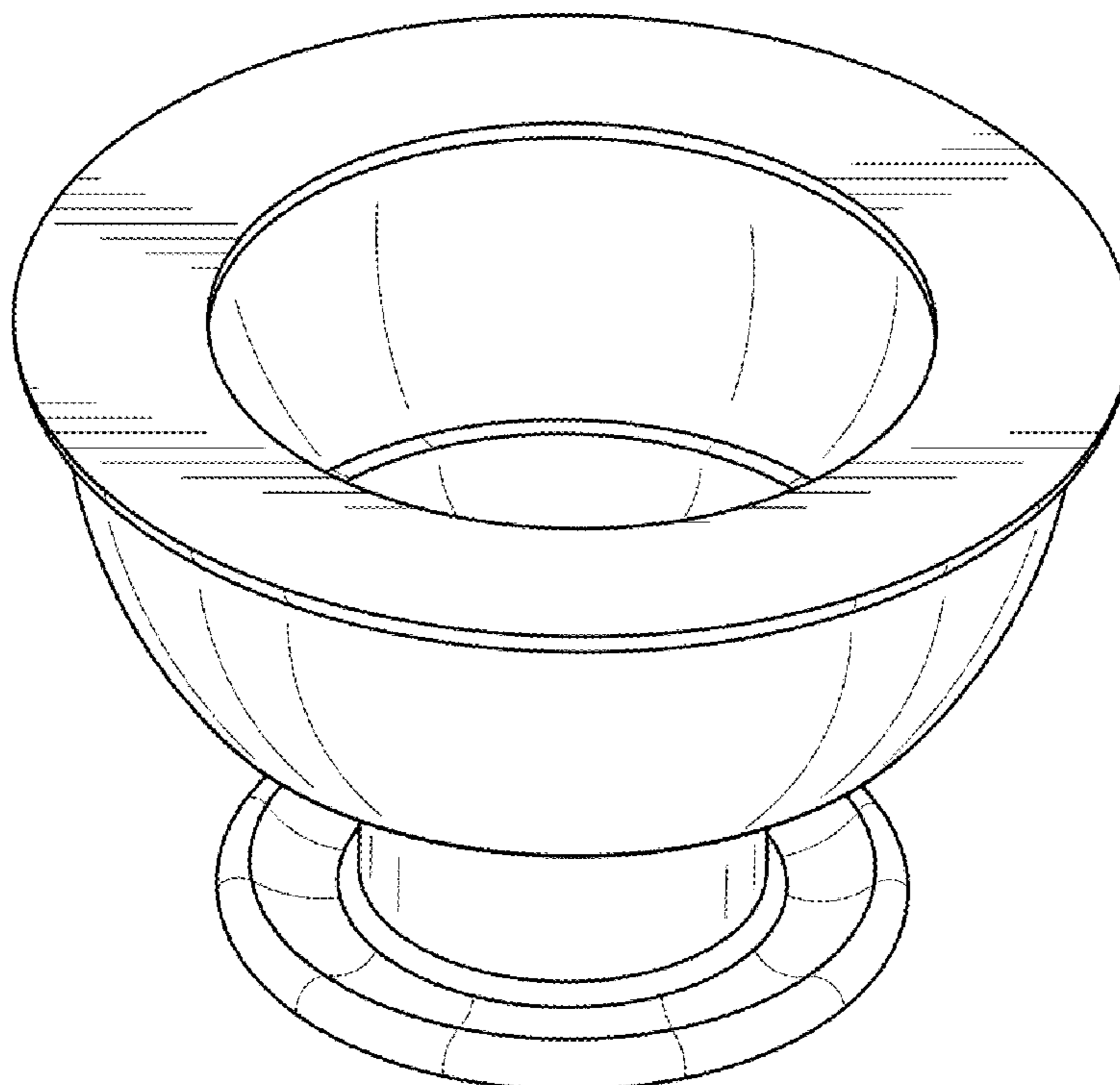
The ornamental design for a silicone suction cup, as shown and described.

**DESCRIPTION**

FIG. 1 is a rear, bottom perspective view of the silicone suction cup showing my new design;  
FIG. 2 is a front, top perspective view thereof;  
FIG. 3 is a front elevational view thereof;  
FIG. 4 is a rear elevational view thereof;  
FIG. 5 is a left side elevational view thereof;  
FIG. 6 is a right side elevational view thereof;  
FIG. 7 is a top plan view thereof; and,  
FIG. 8 is a bottom plan view thereof.

**1 Claim, 4 Drawing Sheets**

- (56) **References Cited**  
U.S. PATENT DOCUMENTS  
D279,260 S \* 6/1985 Fortuna ..... D9/428  
4,928,349 A \* 5/1990 Oikawa ..... F16L 5/02  
16/2.1  
D533,768 S \* 12/2006 Hsiung ..... D8/349



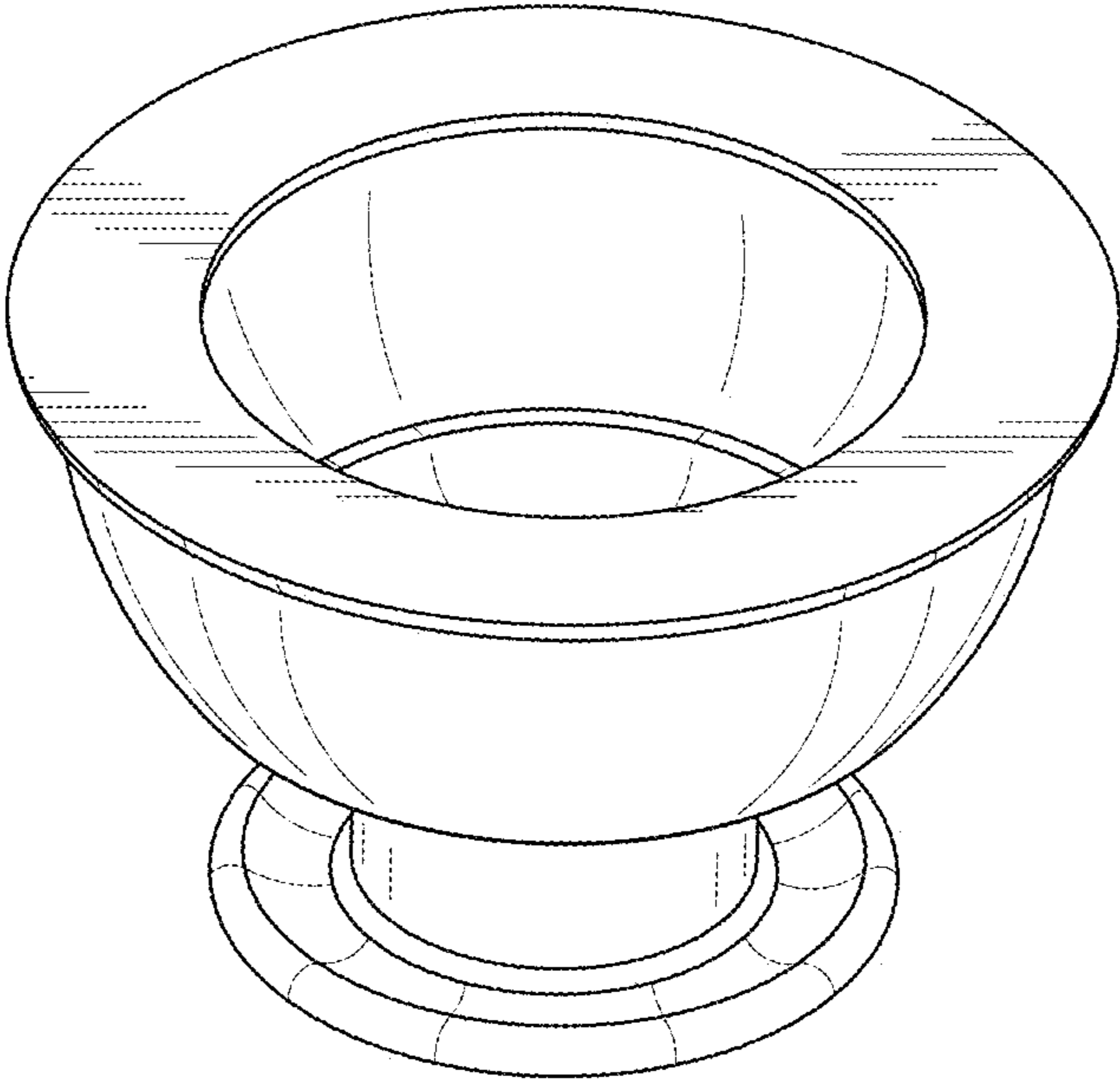


FIG. 1

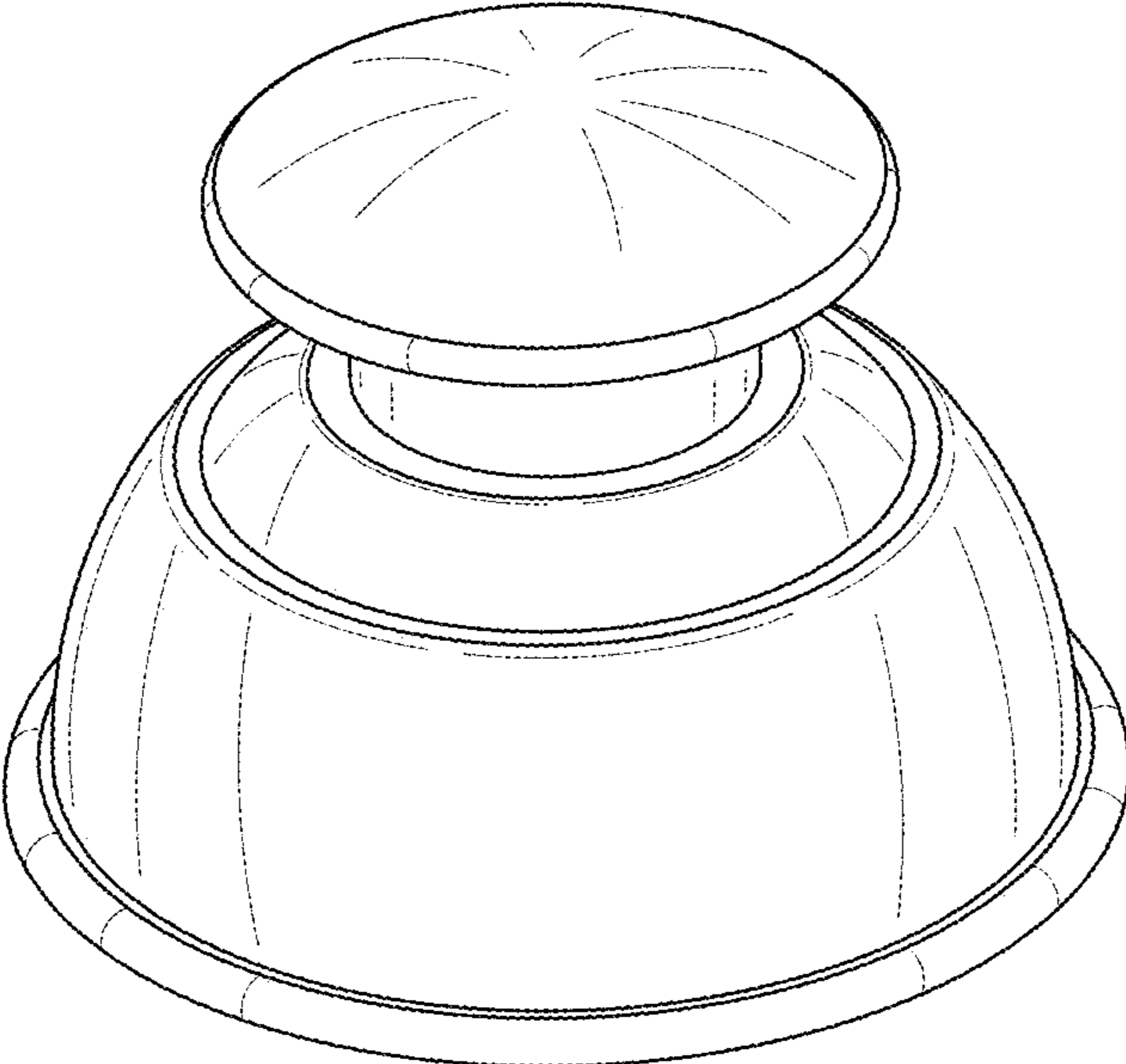


FIG. 2

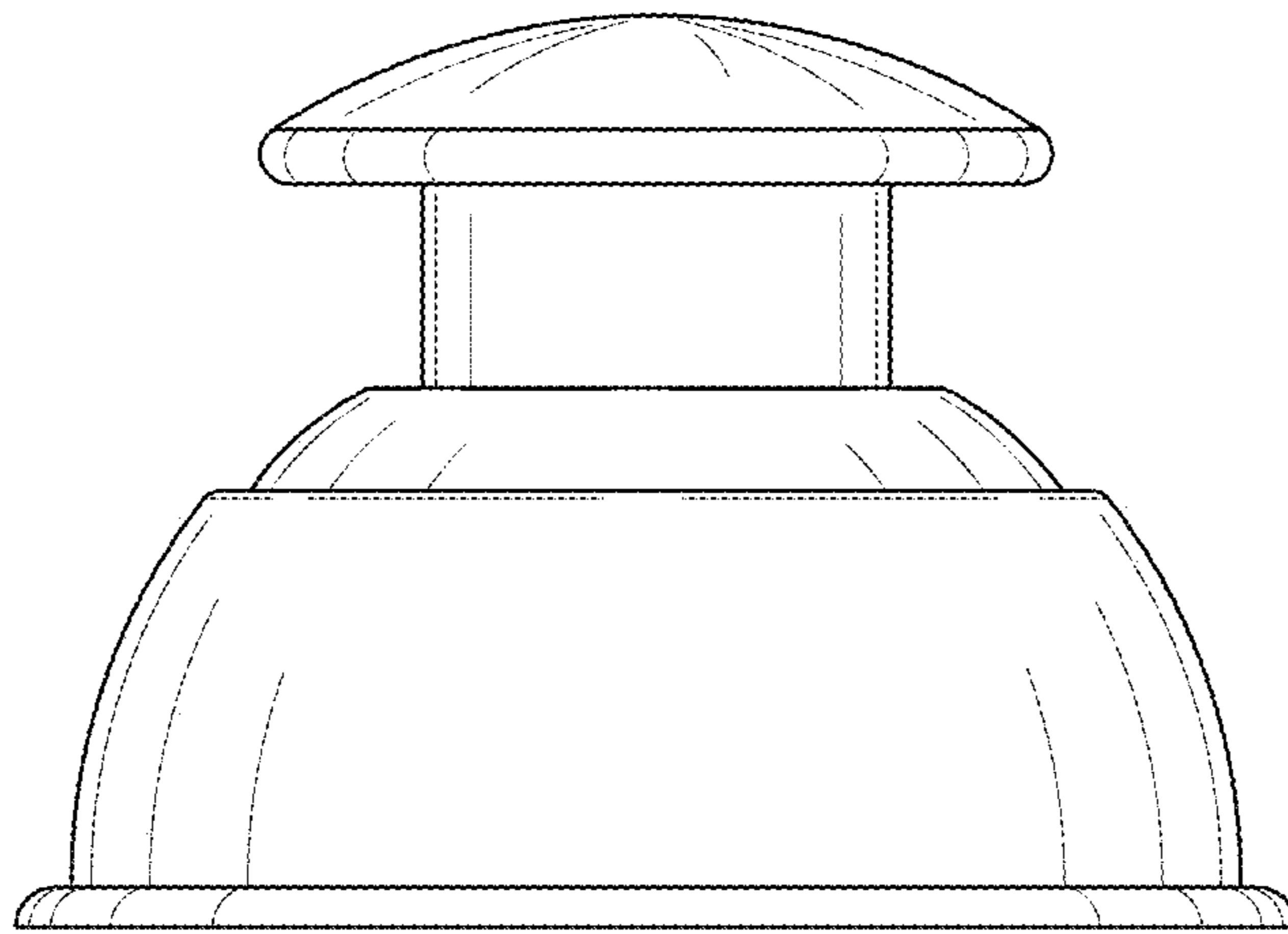


FIG.3

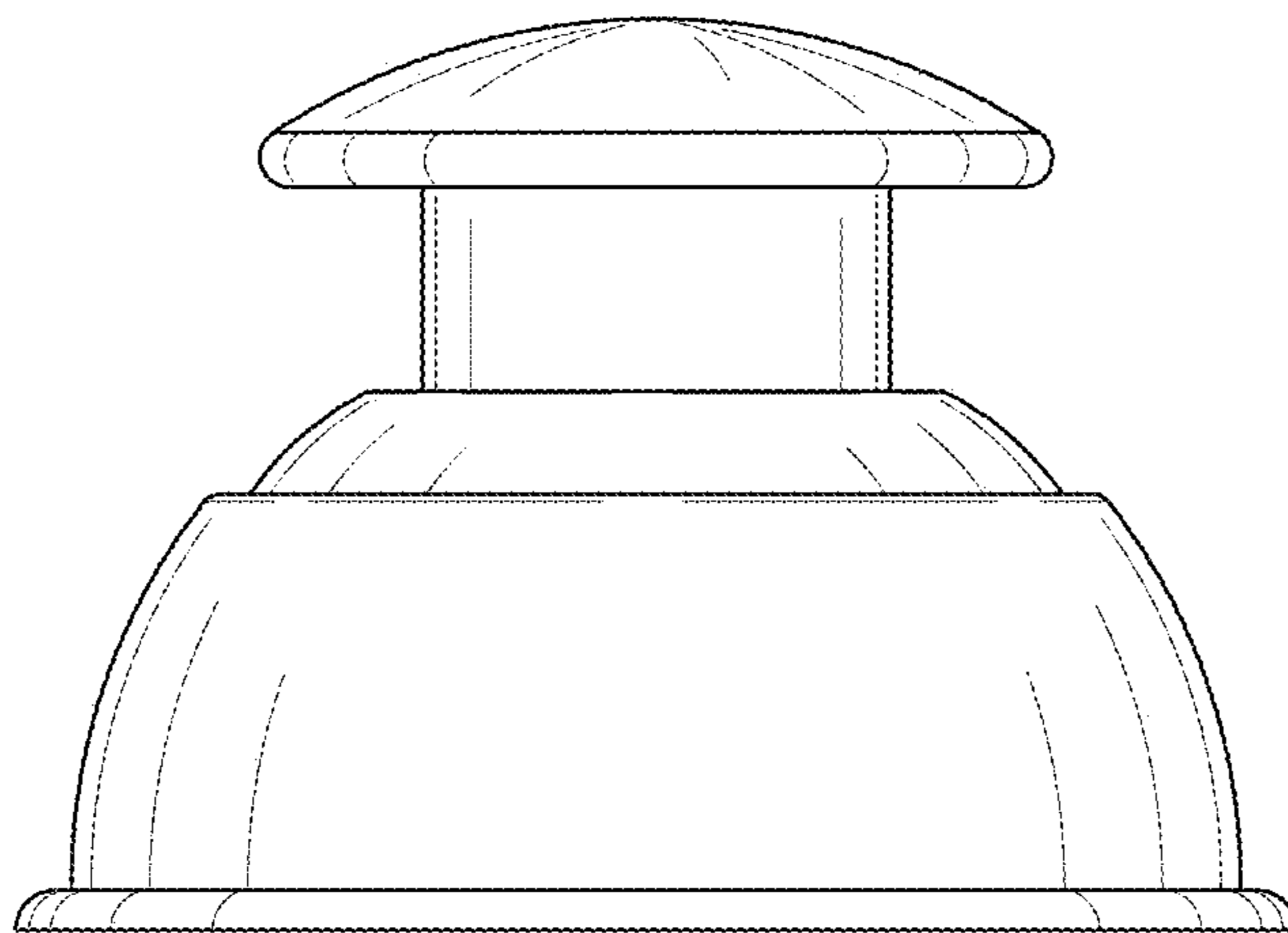


FIG.4

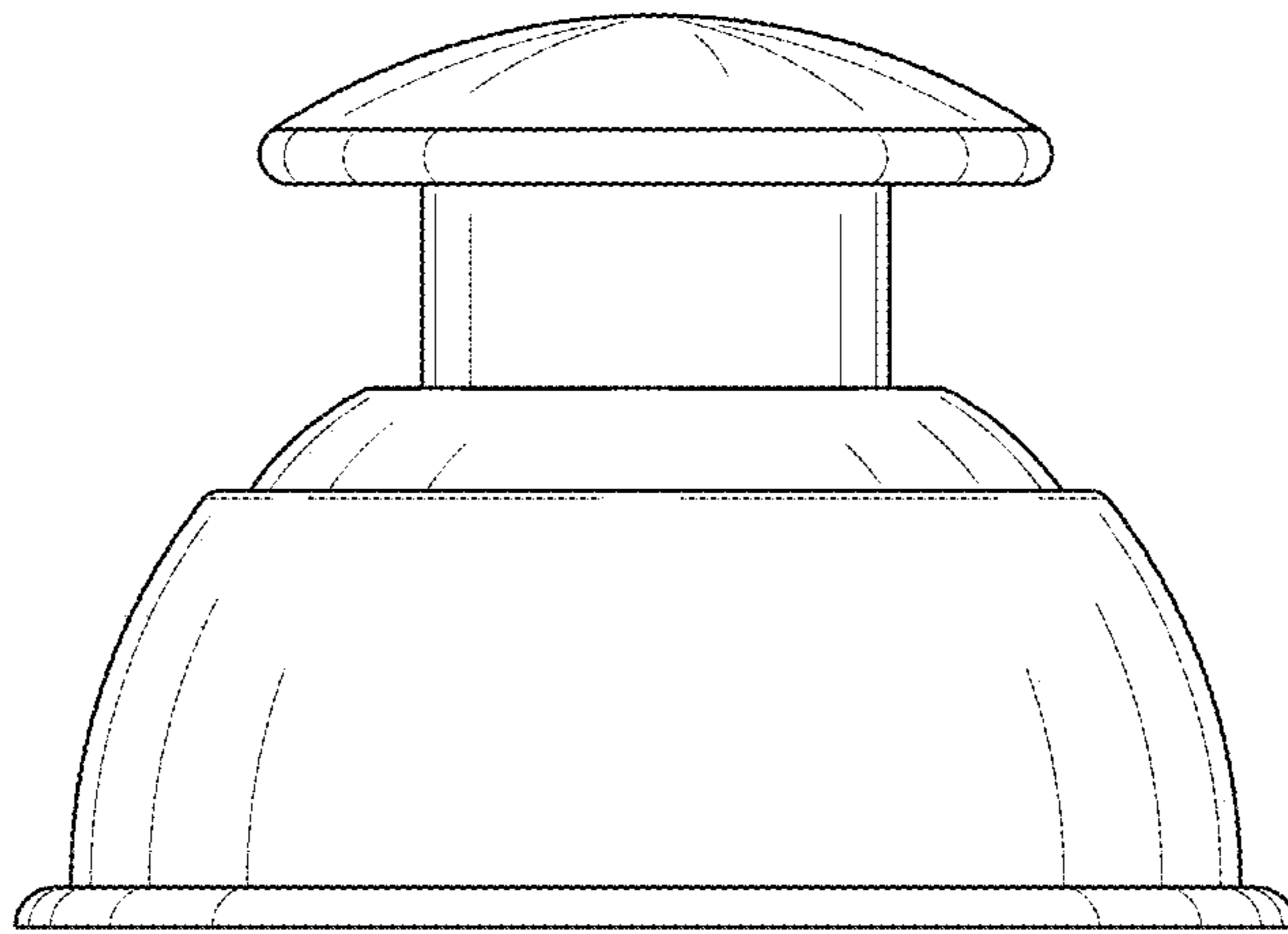


FIG. 5

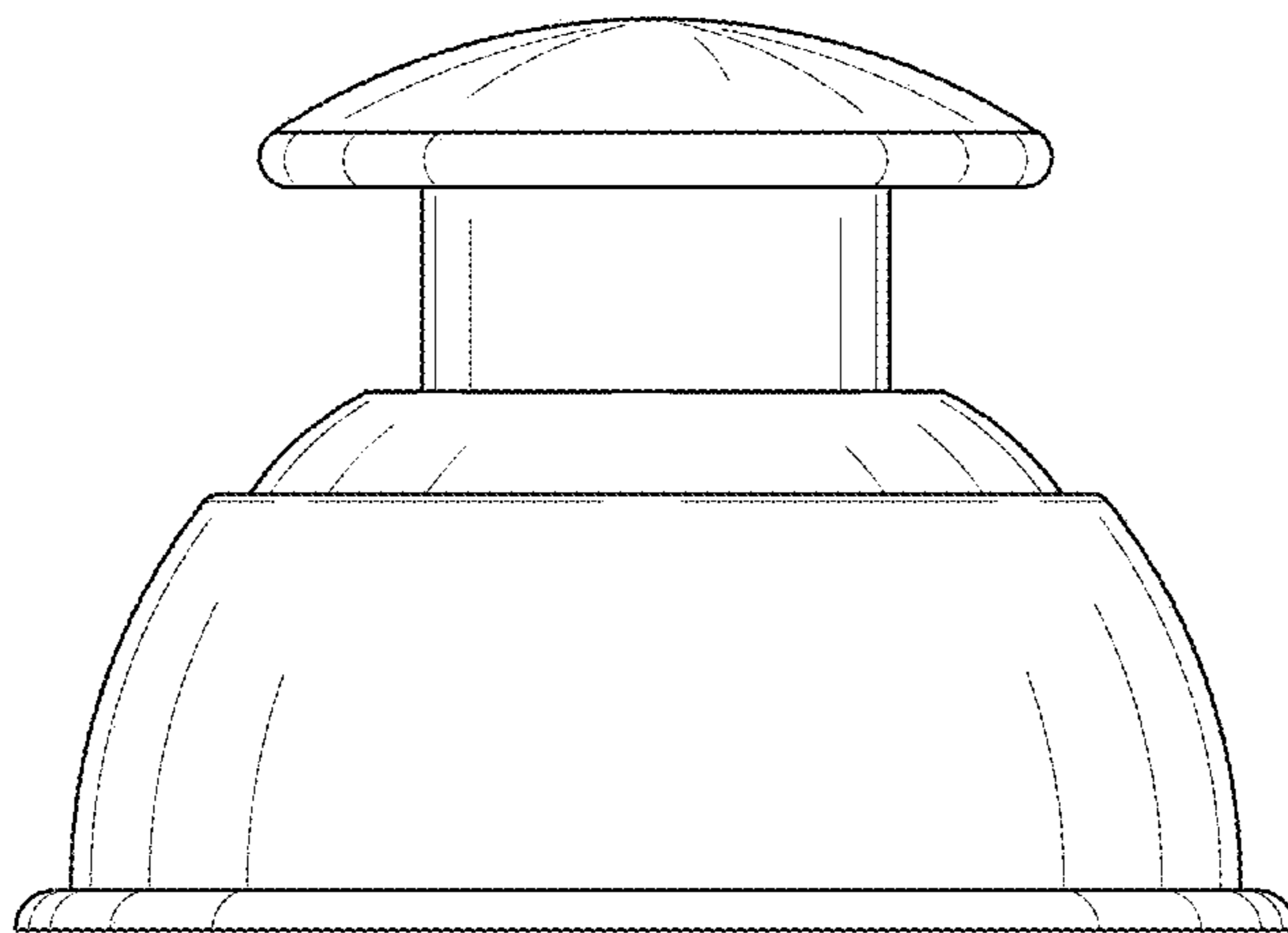


FIG. 6

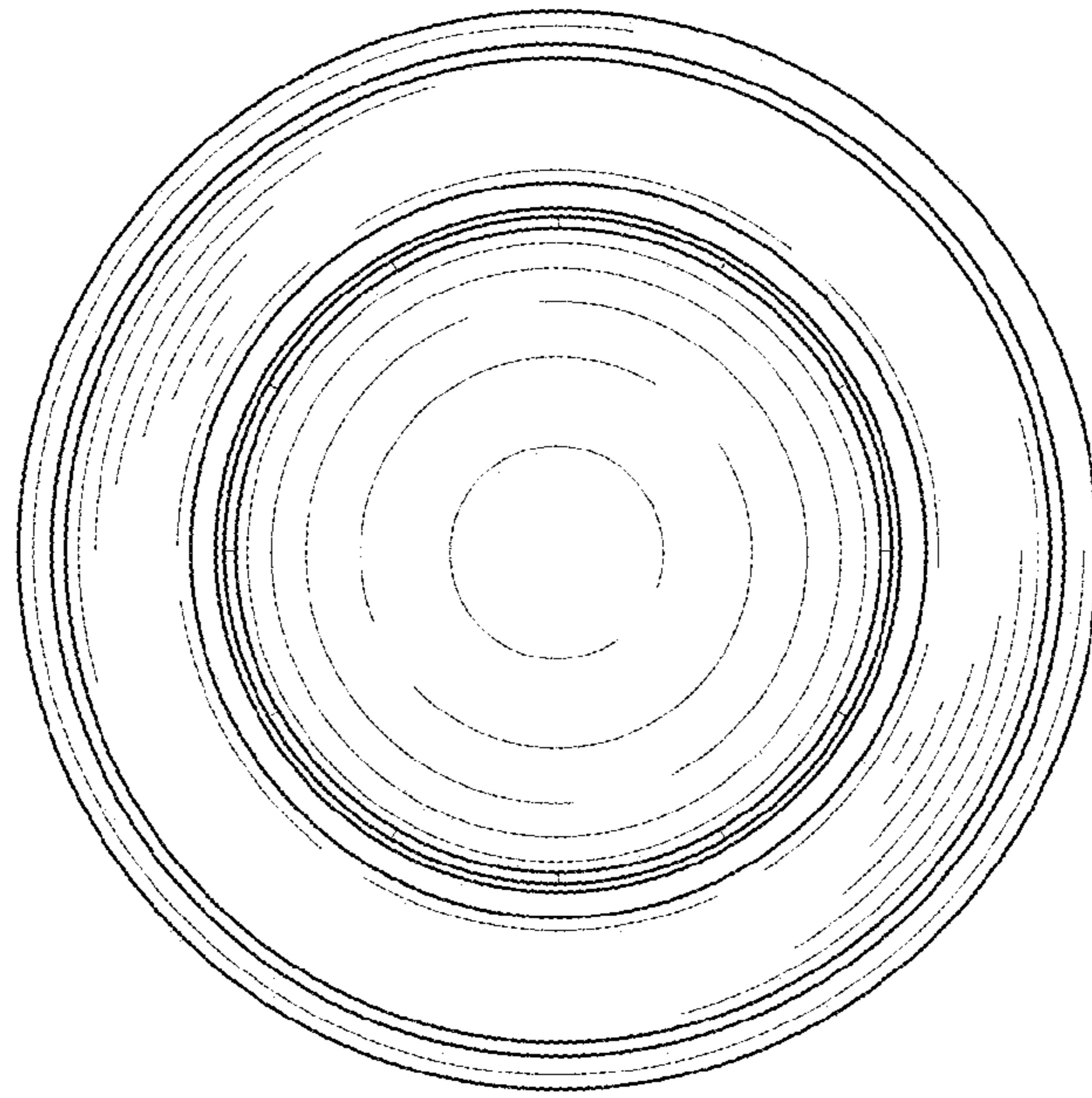


FIG. 7

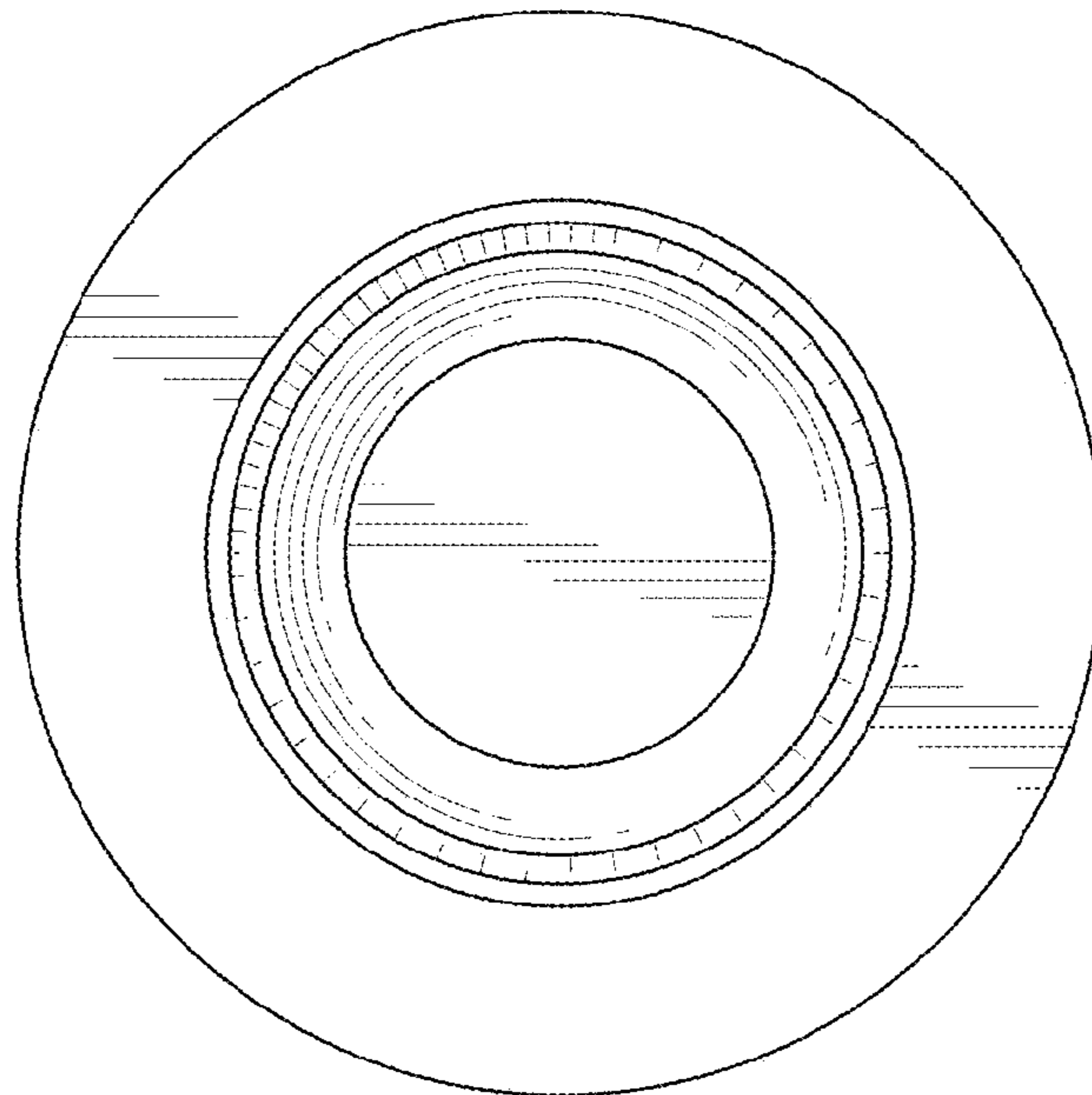


FIG. 8