



US00D903468S

(12) **United States Design Patent** (10) **Patent No.:** **US D903,468 S**
Gustafsson Salmonsson et al. (45) **Date of Patent:** **** Dec. 1, 2020**

(54) **CORNER BRACKET DESIGN**
(71) Applicant: **SMS smart media solutions AB**,
Nacka (SE)
(72) Inventors: **Daniel Gustafsson Salmonsson**, Nacka
(SE); **Jonas Håkansson**, Nacka (SE);
Mathias Ösmark, Nacka (SE); **Mikael**
Järvin, Nacka (SE)

D768,470 S * 10/2016 Noturno D8/382
D774,874 S * 12/2016 Wentzel D8/349
D784,114 S * 4/2017 Rago D8/354
D784,115 S * 4/2017 Rago D8/354
D796,938 S * 9/2017 Rago D8/354
D851,427 S * 6/2019 Vezina D6/672
D854,913 S * 7/2019 Cheng D8/349
D855,358 S * 8/2019 Adler D6/644
D855,439 S * 8/2019 Schmonsees D8/349
2011/0197522 A1* 8/2011 Noturno E04B 1/2608
52/92.2

(73) Assignee: **SMS Smart Media Solutions AB**,
Nacka (SE)

* cited by examiner

(**) Term: **15 Years**

Primary Examiner — Mark A Goodwin

Assistant Examiner — Benjamin M Weeks

(21) Appl. No.: **29/674,560**

(74) *Attorney, Agent, or Firm* — Brake Hughes
Bellermann LLP

(22) Filed: **Dec. 21, 2018**

(57) **CLAIM**

(30) **Foreign Application Priority Data**

What is claimed is an ornamental design for a corner bracket
design, as shown and described herein.

Oct. 8, 2018 (EM) 005773009

(51) **LOC (12) Cl.** **08-08**

DESCRIPTION

(52) **U.S. Cl.**
USPC **D8/349**

(58) **Field of Classification Search**
USPC D6/672, 684, 680, 683.1, 703.5; D8/349,
D8/354, 355, 330, 331, 333, 380, 382
CPC .. E04B 1/2604; E04B 2001/2644; F16B 7/18;
F16B 37/145; Y10T 403/4602; Y10T
403/4674; Y10T 403/3906

FIG. 1 is a back view of a corner bracket design;
FIG. 2 is a front view of the corner bracket design;
FIG. 3 is a left view of the corner bracket design;
FIG. 4 is a top right front perspective view of the corner
bracket design;
FIG. 5 is a top view of the corner bracket design;
FIG. 6 is a top left front perspective view of the corner
bracket design;
FIG. 7 is a top right back perspective view of the corner
bracket design;
FIG. 8 is a right view of the corner bracket design; and,
FIG. 9 is a bottom view of the corner bracket design.

See application file for complete search history.

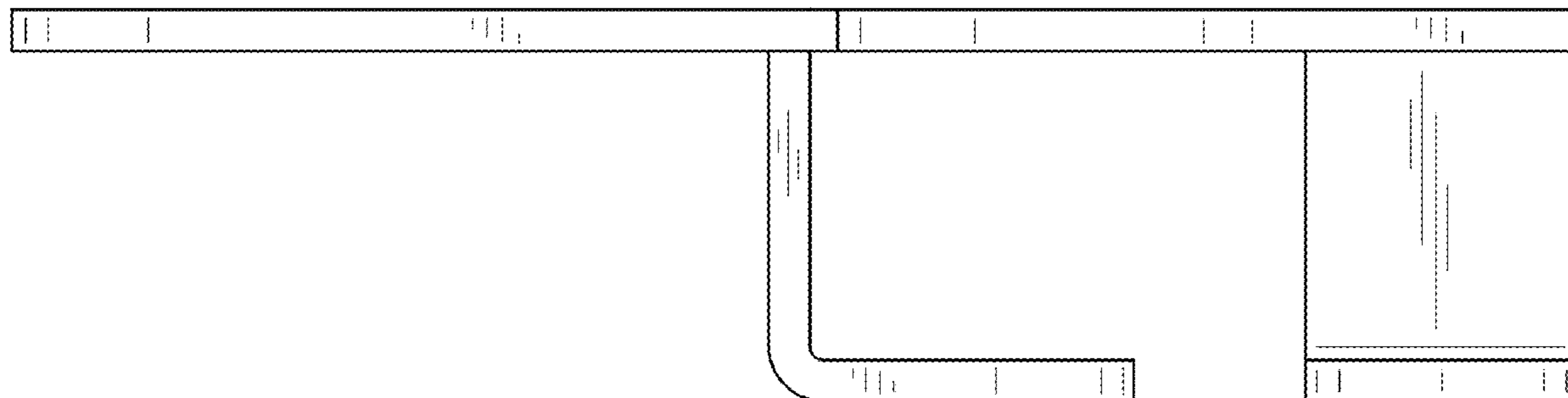
(56) **References Cited**

U.S. PATENT DOCUMENTS

D274,978 S * 8/1984 Preisler D8/349
D422,483 S * 4/2000 Shea D8/354
D656,079 S * 3/2012 Dales D12/223
D660,133 S * 5/2012 Yoder D8/354
D752,954 S * 4/2016 Lax D8/354

Broken lines in the drawings are for purposes of illustrating,
for example, elements that form no part of the claimed
design.

1 Claim, 9 Drawing Sheets



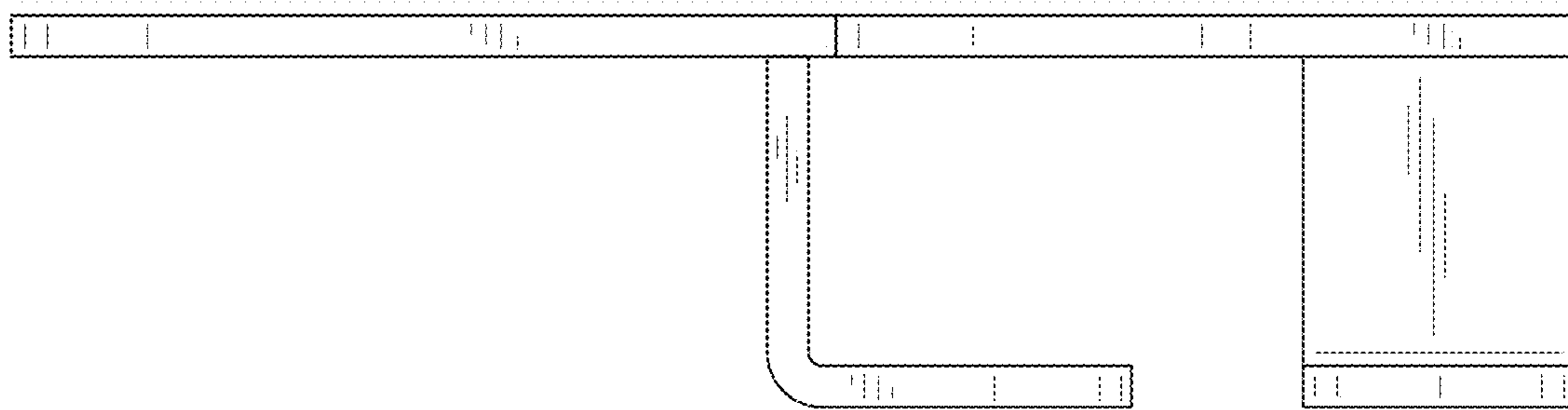


FIG. 1

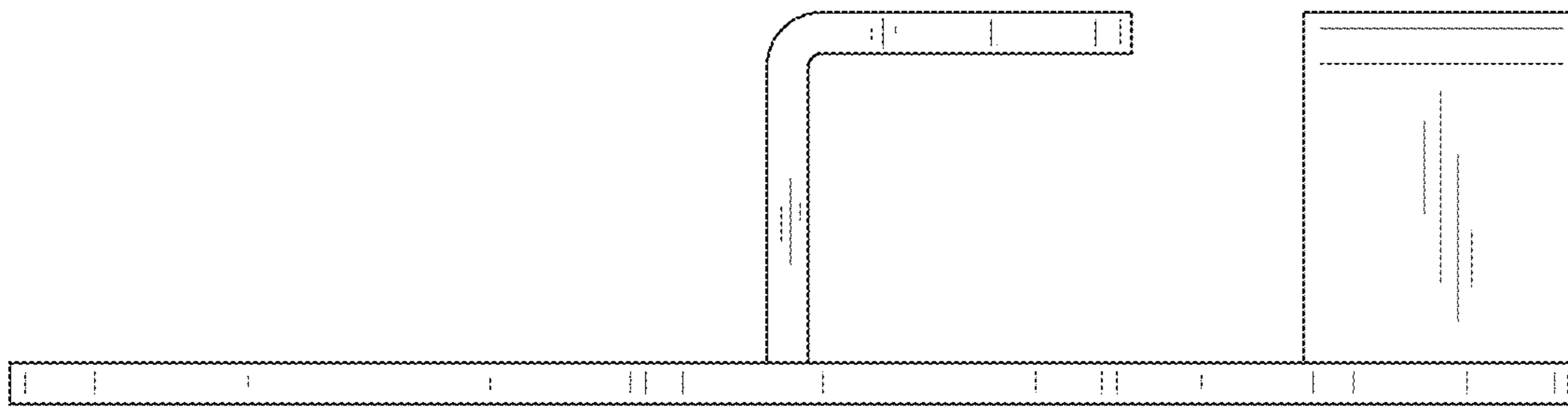


FIG. 2

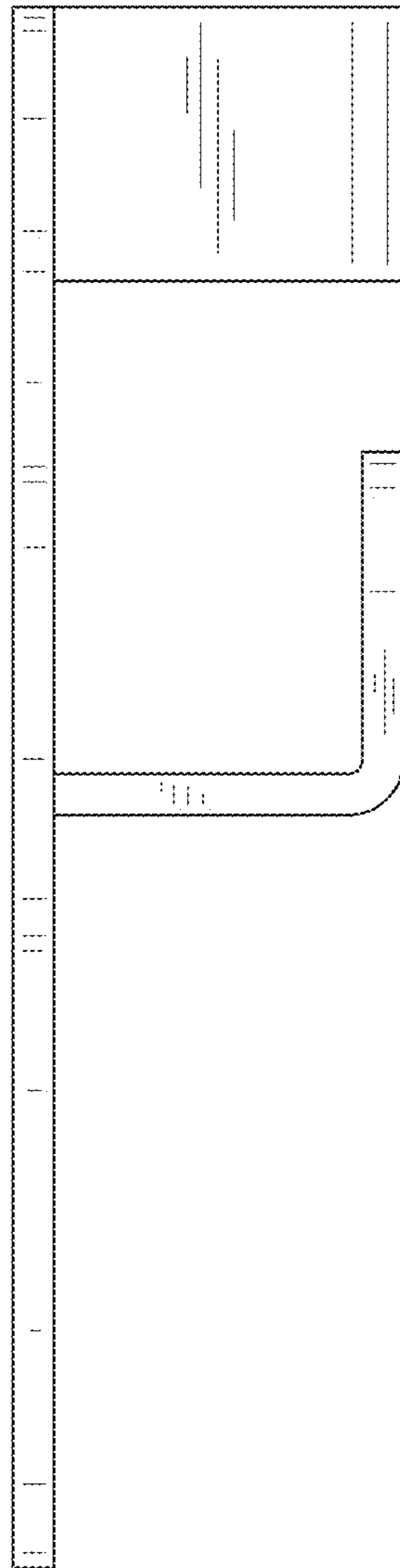


FIG. 3

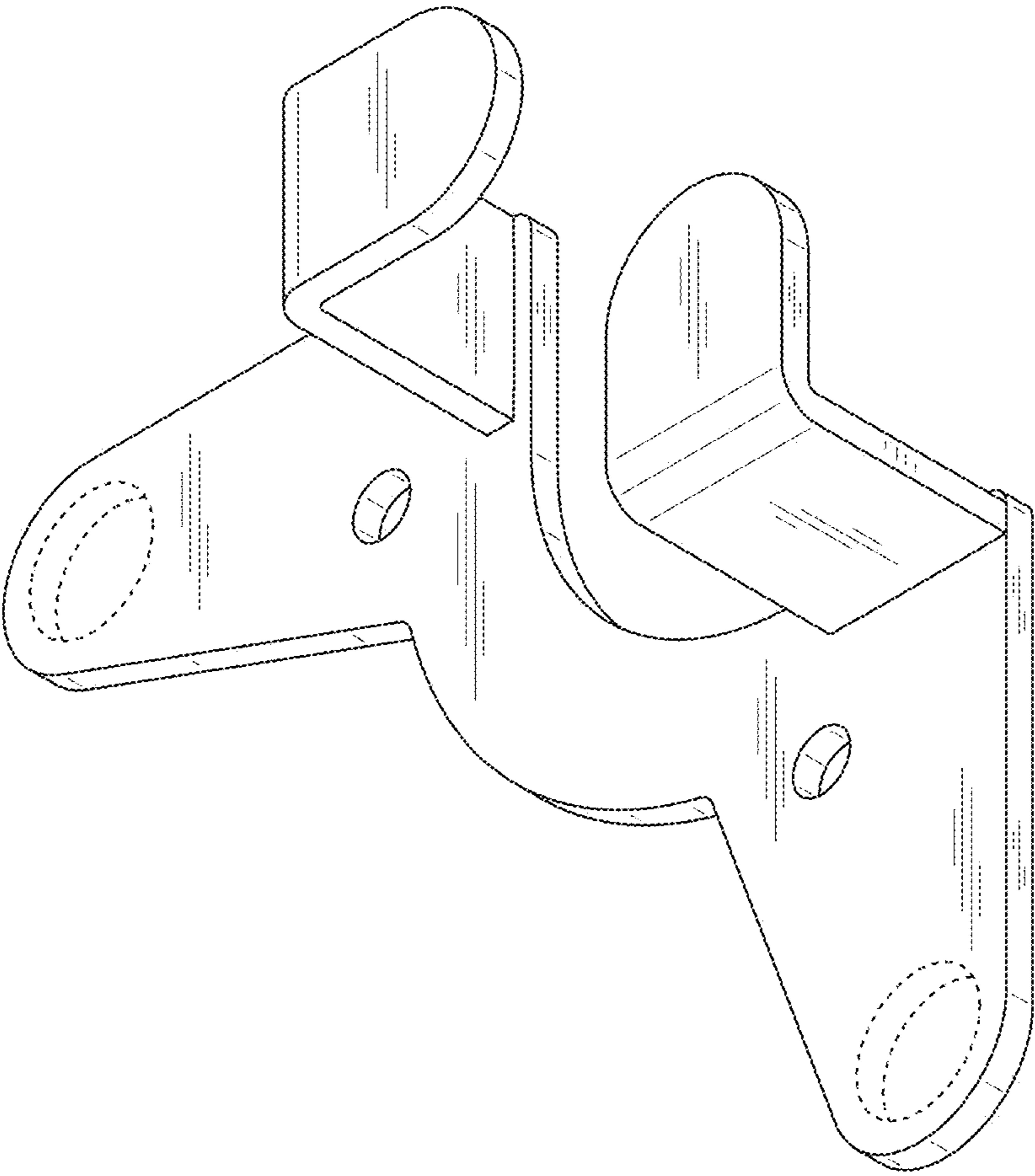


FIG. 4

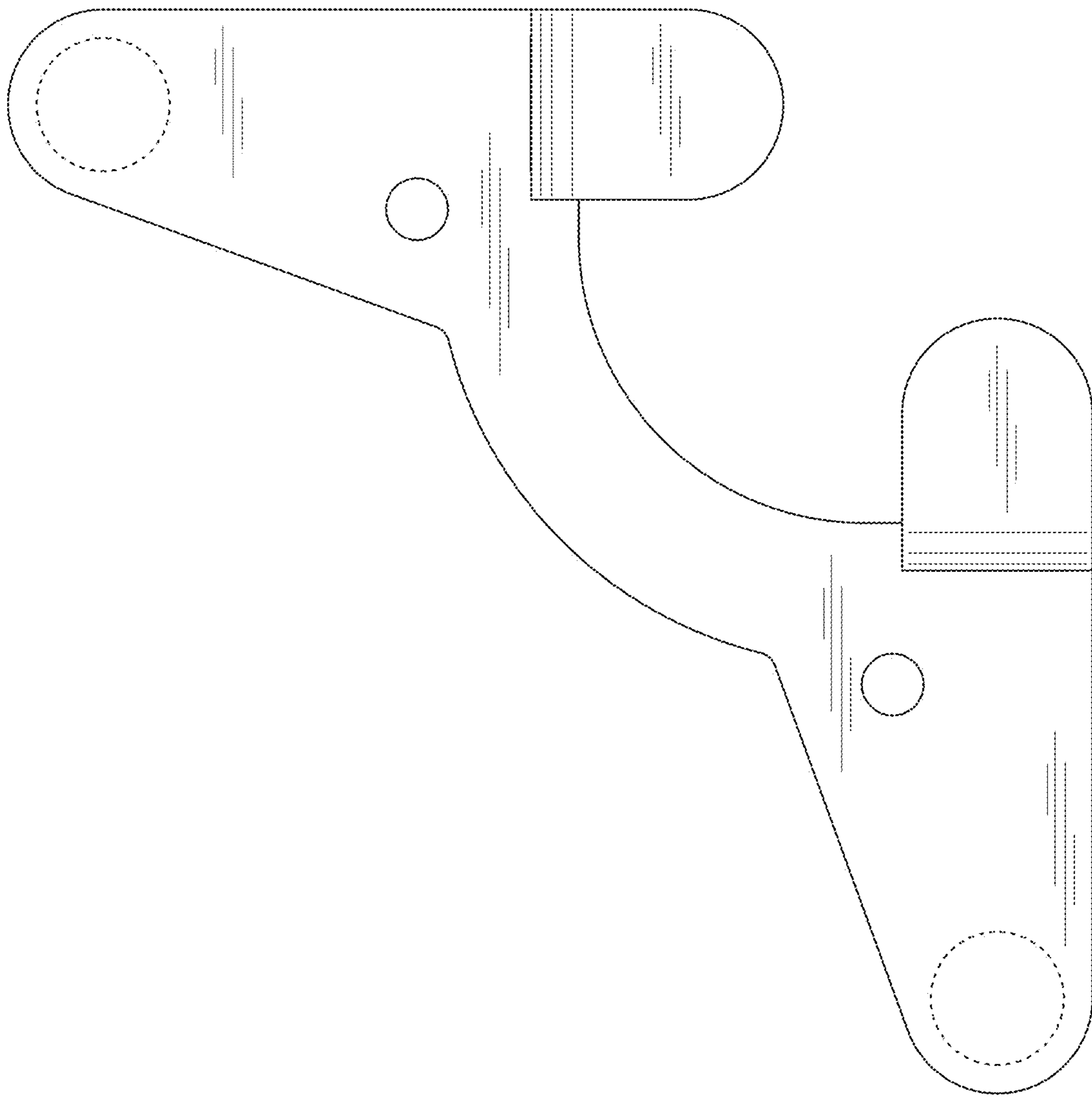


FIG. 5

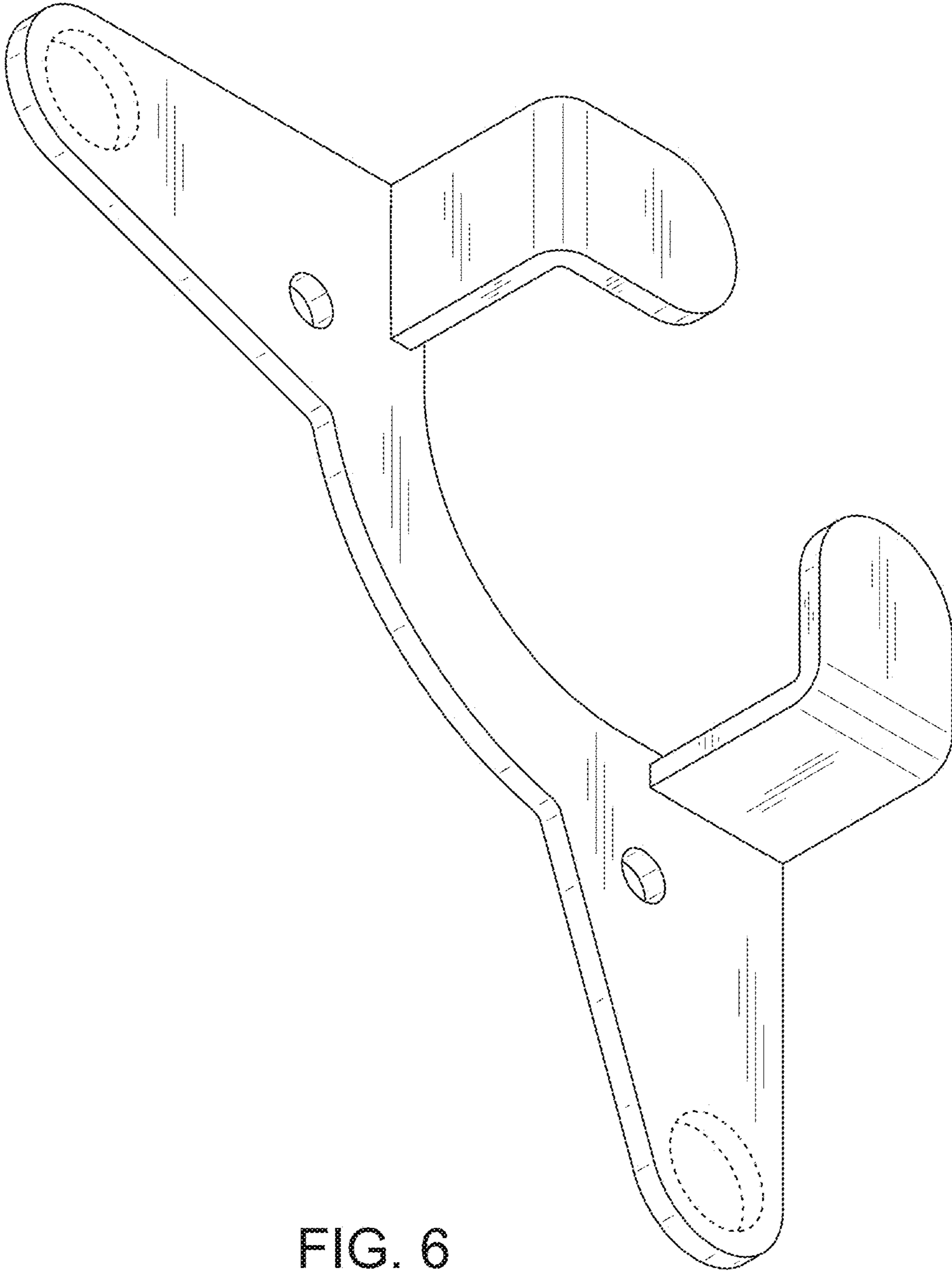


FIG. 6

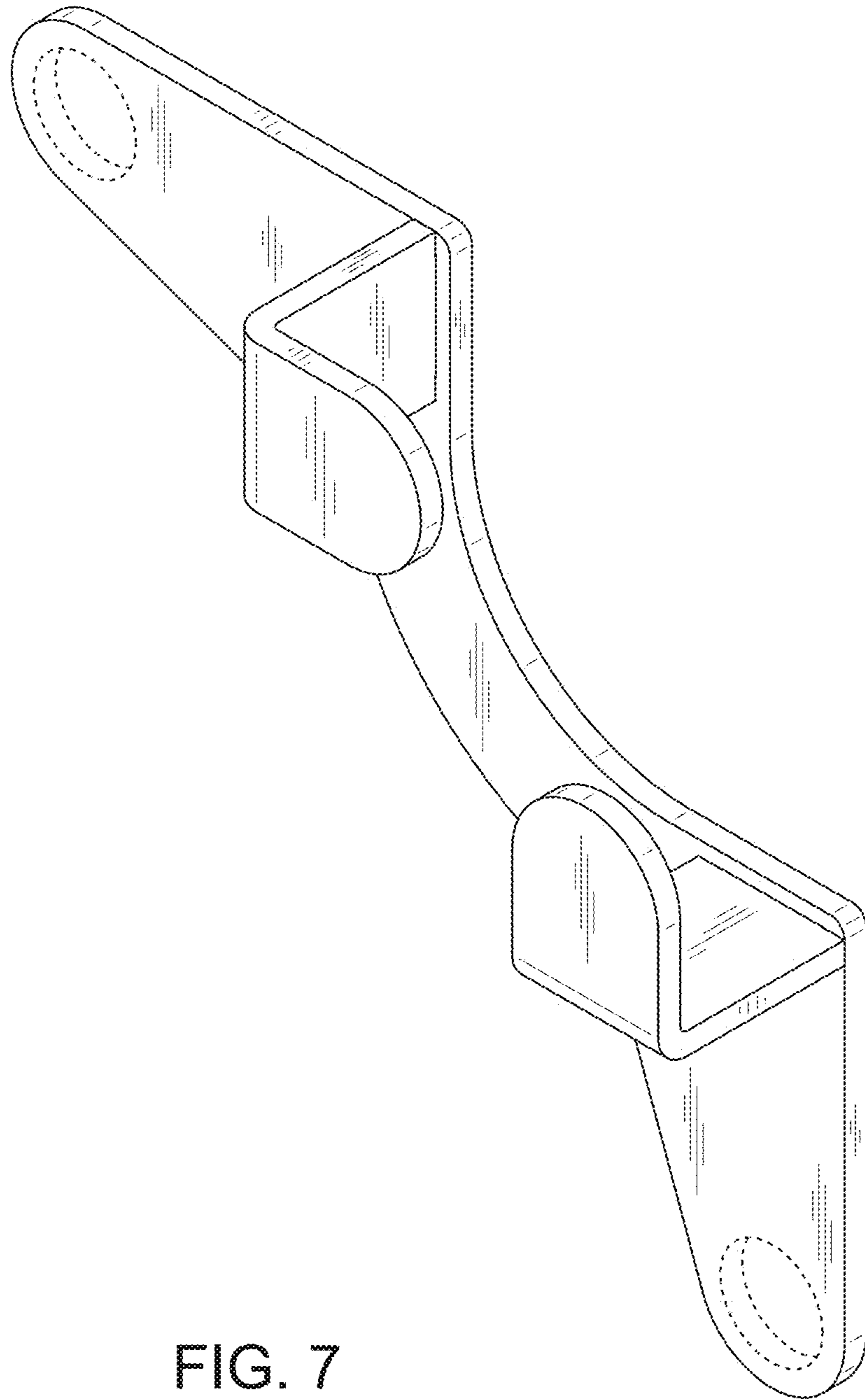


FIG. 7

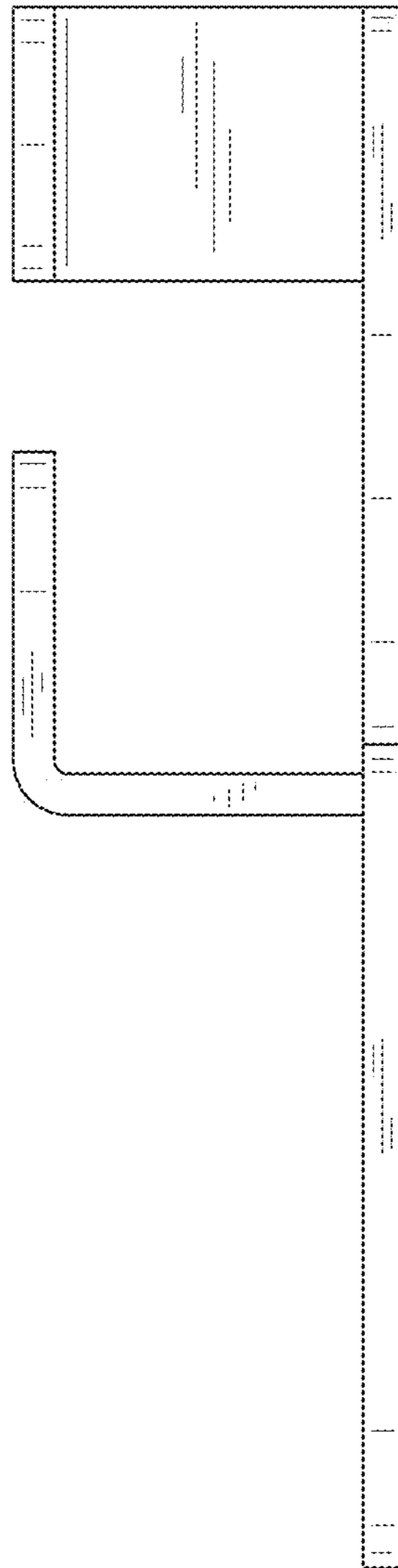


FIG. 8

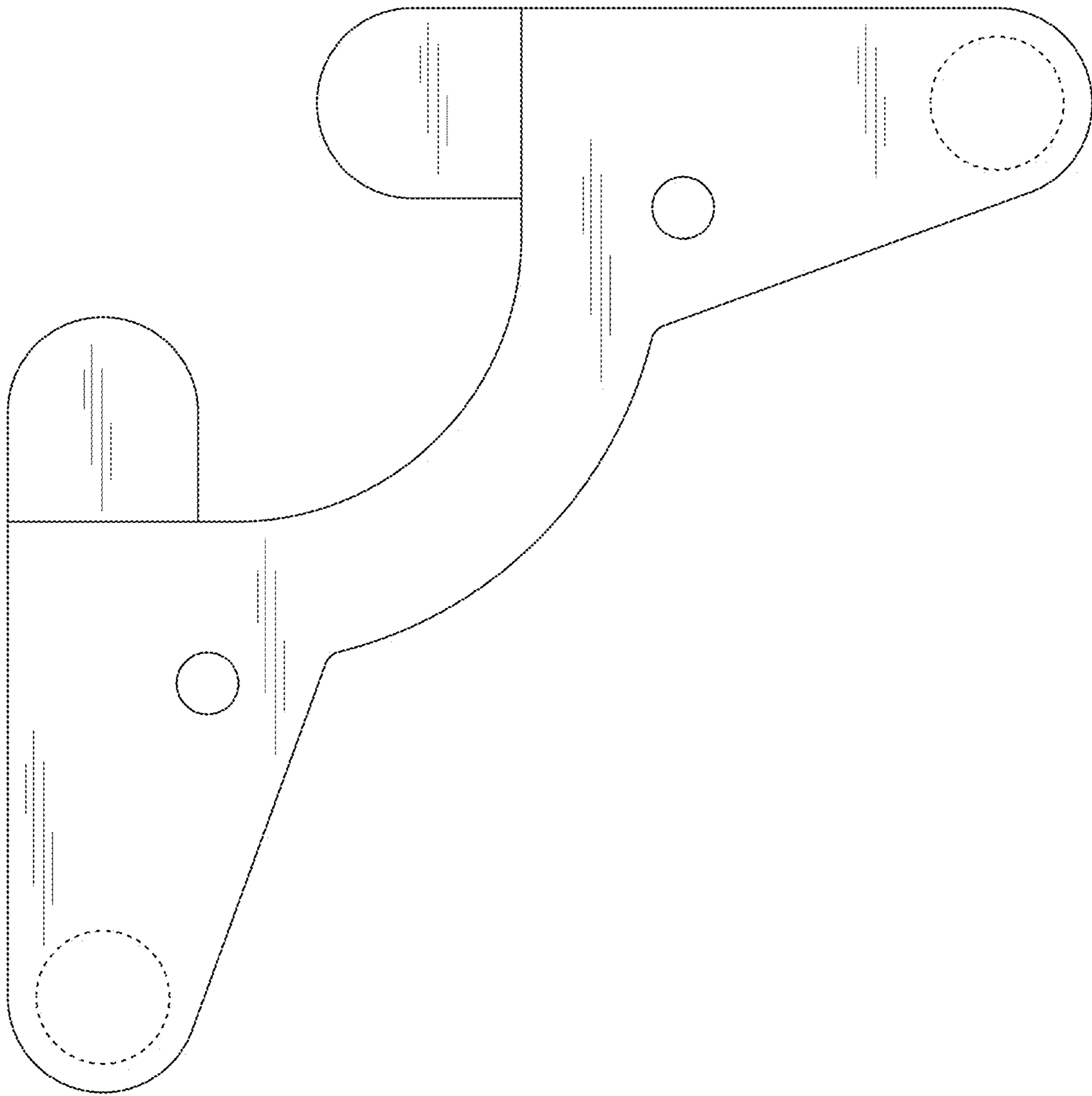


FIG. 9