



US00D903467S

(12) **United States Design Patent** (10) **Patent No.:** **US D903,467 S**
Parcon (45) **Date of Patent:** **** Dec. 1, 2020**

(54) **ARTICULATING JOINT**
(71) Applicant: **ImportLA, LLC**, Baldwin Park, CA (US)
(72) Inventor: **Jadeanne Parcon**, Corona, CA (US)
(73) Assignee: **IMPORTLA, LLC**, Orange, CA (US)
(**) Term: **15 Years**
(21) Appl. No.: **29/663,036**
(22) Filed: **Sep. 11, 2018**
(51) **LOC (12) Cl.** **08-06**
(52) **U.S. Cl.**
USPC **D8/323**
(58) **Field of Classification Search**
USPC D8/323, 327, 328; 16/269, 227, 258
CPC E05D 5/12; E05D 11/082; E05D 1/02;
B64G 1/222
See application file for complete search history.

(56) **References Cited**

U.S. PATENT DOCUMENTS

D30,721 S * 5/1899 Decker D8/323
4,131,378 A * 12/1978 Daws E05D 3/12
16/287
D293,003 S * 12/1987 Larkin D12/217
4,929,113 A * 5/1990 Sheu F16C 11/045
403/157
5,178,583 A * 1/1993 Rankin B64G 9/00
403/100
D412,101 S * 7/1999 Murakami D8/382
D412,104 S * 7/1999 Murakami D8/382
D412,830 S * 8/1999 Murakami D8/382
D412,831 S * 8/1999 Murakami D8/382
D417,610 S * 12/1999 Murakami D8/382
D485,620 S * 1/2004 Detering D25/57
6,675,546 B2 * 1/2004 Coles F16B 7/185
403/157

6,711,783 B2 * 3/2004 LeMole B60J 7/1204
114/361
D498,136 S * 11/2004 Parker D8/323
7,003,849 B2 * 2/2006 Cohen A63C 11/221
16/232
D563,199 S * 3/2008 Liao D8/323
D563,563 S * 3/2008 Llagostera Forns D25/57
D639,634 S * 6/2011 Arai D8/323
D652,286 S * 1/2012 Mair D8/356
D661,174 S * 6/2012 Ogawa D8/323
8,477,505 B2 * 7/2013 Samuels G06F 1/1632
361/728
D705,640 S * 5/2014 Wiese D8/323
D782,273 S * 3/2017 Cramer-Kelly D8/323
10,030,423 B2 * 7/2018 Eaton F16L 3/015
D834,915 S * 12/2018 Boyce A63B 67/06
D8/323
D887,398 S * 6/2020 Chen D14/226

(Continued)

Primary Examiner — Cynthia R Underwood
(74) *Attorney, Agent, or Firm* — Hankin Patent Law, APC; Kevin Schraven; Anooj Patel

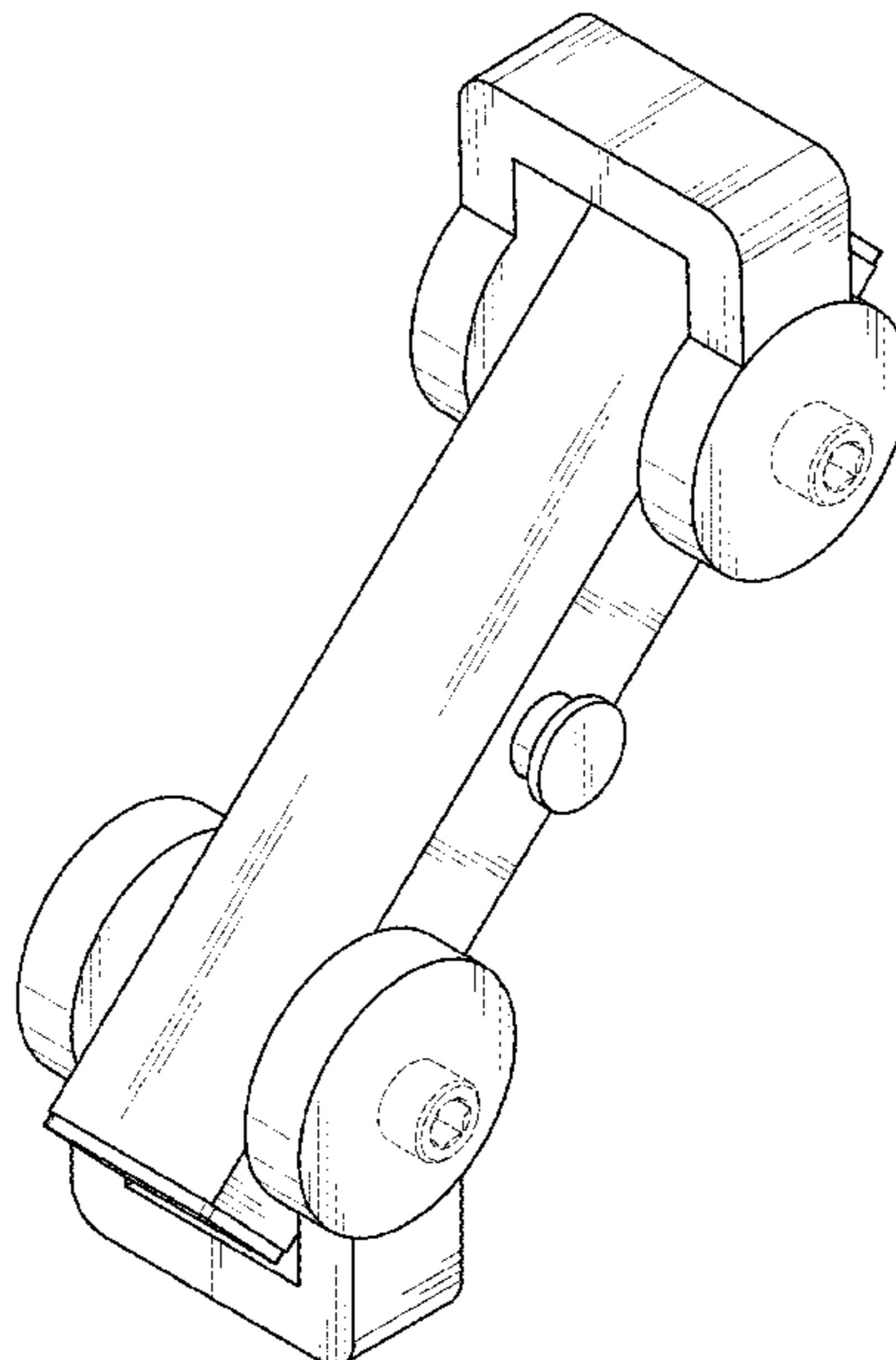
(57) **CLAIM**

The ornamental design for an articulating joint, as shown and described.

DESCRIPTION

FIG. 1 is a top perspective view of an articulating joint, showing my new design.
FIG. 2 is a top plan view thereof.
FIG. 3 is a bottom plan view thereof.
FIG. 4 is a right side elevational view thereof.
FIG. 5 is a left side elevational view thereof.
FIG. 6 is a front elevational view thereof; and,
FIG. 7 is a rear elevational view thereof.
The broken lines showing fasteners are for the purpose of illustrating unclaimed subject matter and form no part of the claimed design.

1 Claim, 6 Drawing Sheets



(56)

References Cited

U.S. PATENT DOCUMENTS

D887,823 S * 6/2020 Joe A63H 27/08
D8/382
D891,644 S * 7/2020 Chi D25/133
D891,645 S * 7/2020 Chi D25/133
D893,977 S * 8/2020 Staniszewski D8/107
2004/0137970 A1* 7/2004 Han H04M 1/0216
455/575.3

* cited by examiner

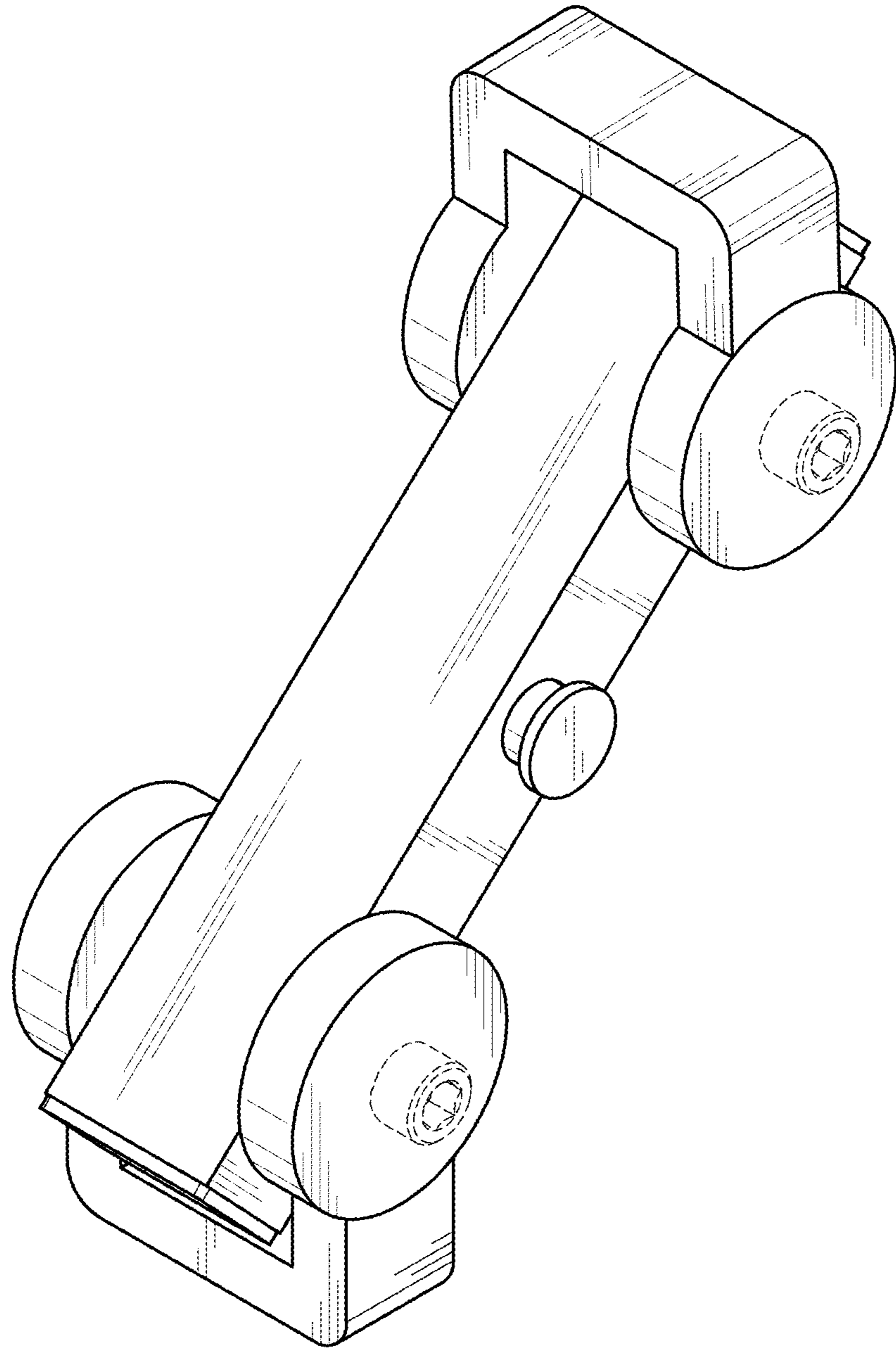


FIG. 1

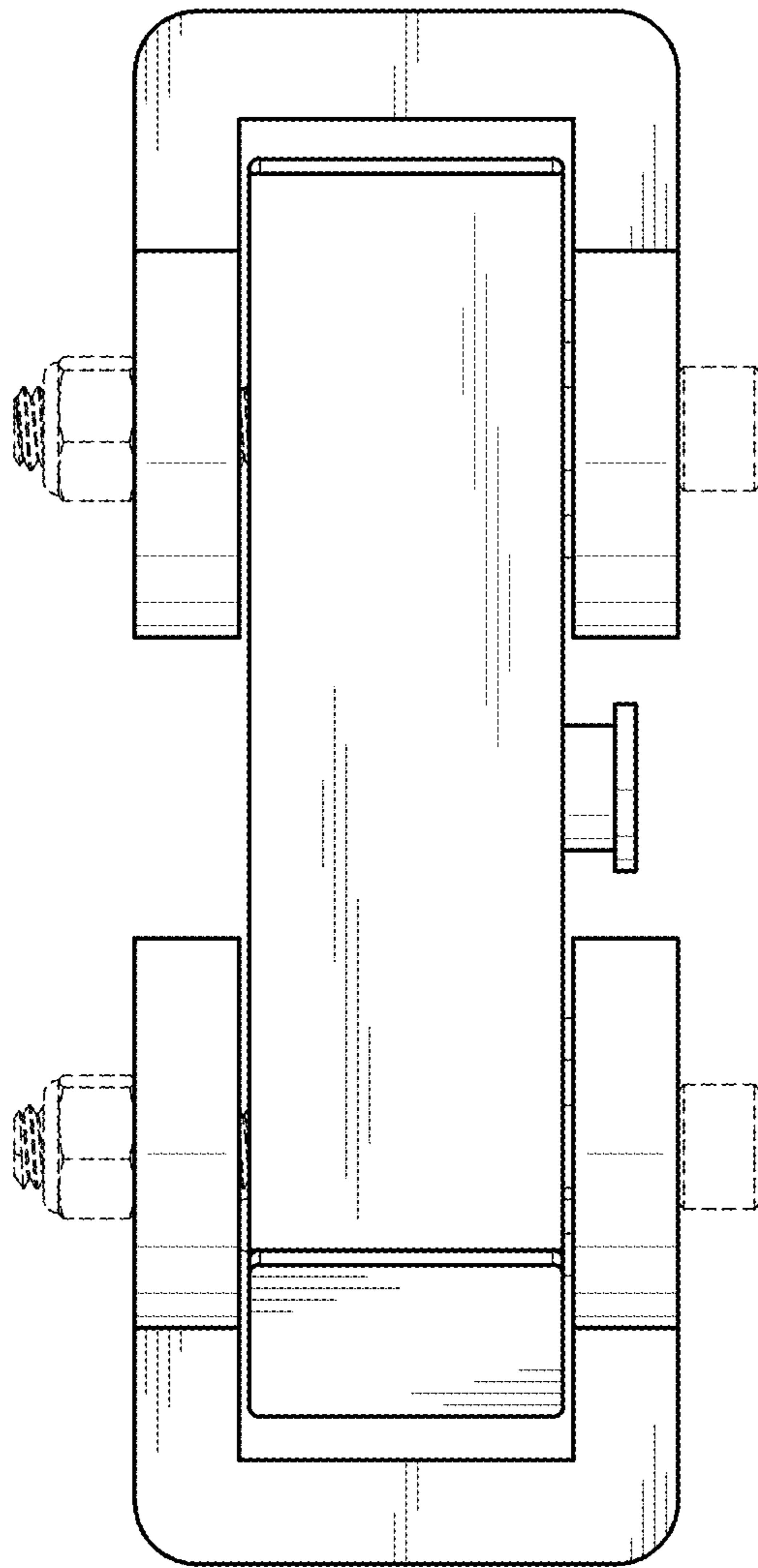


FIG. 2

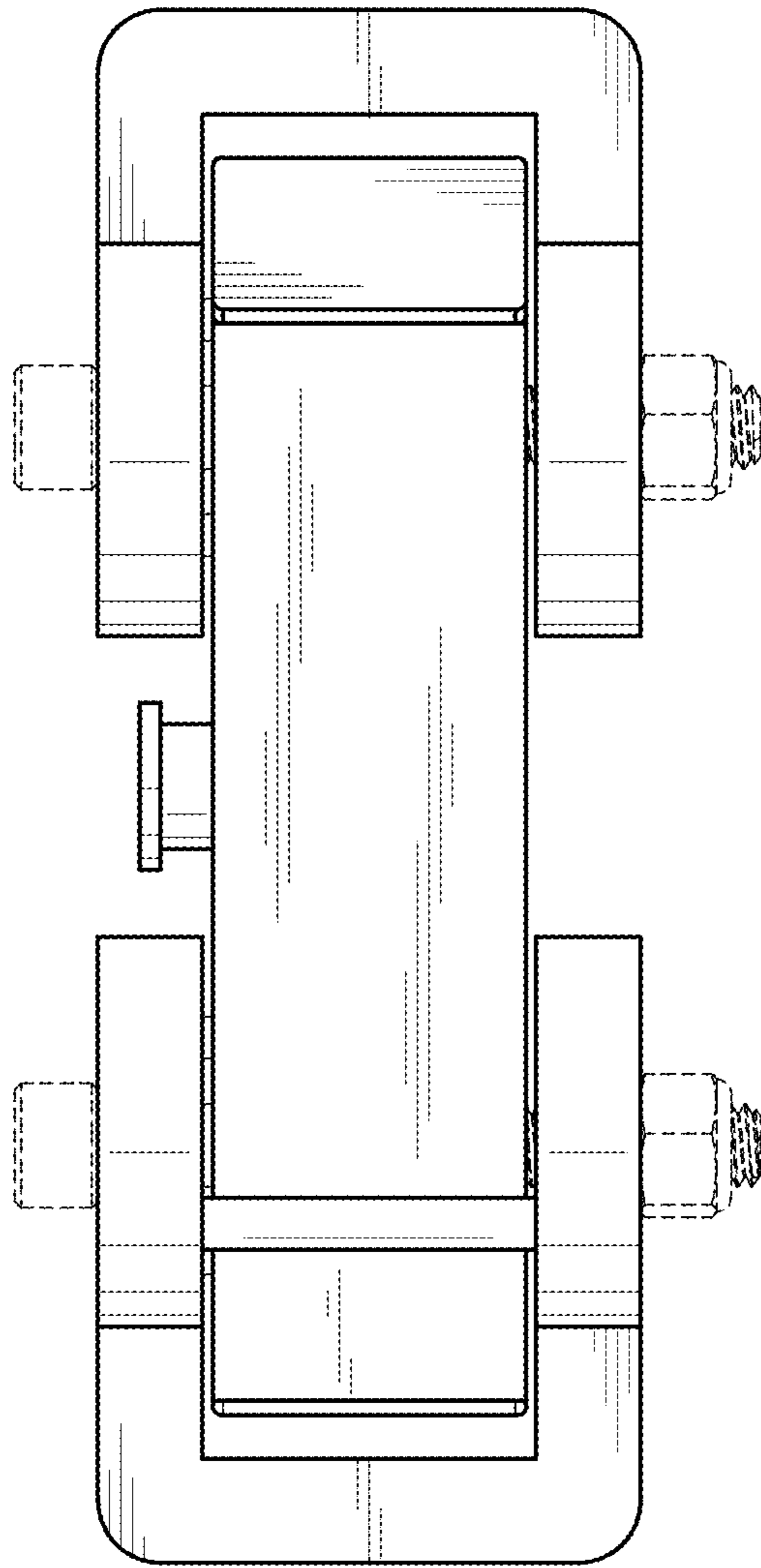


FIG. 3

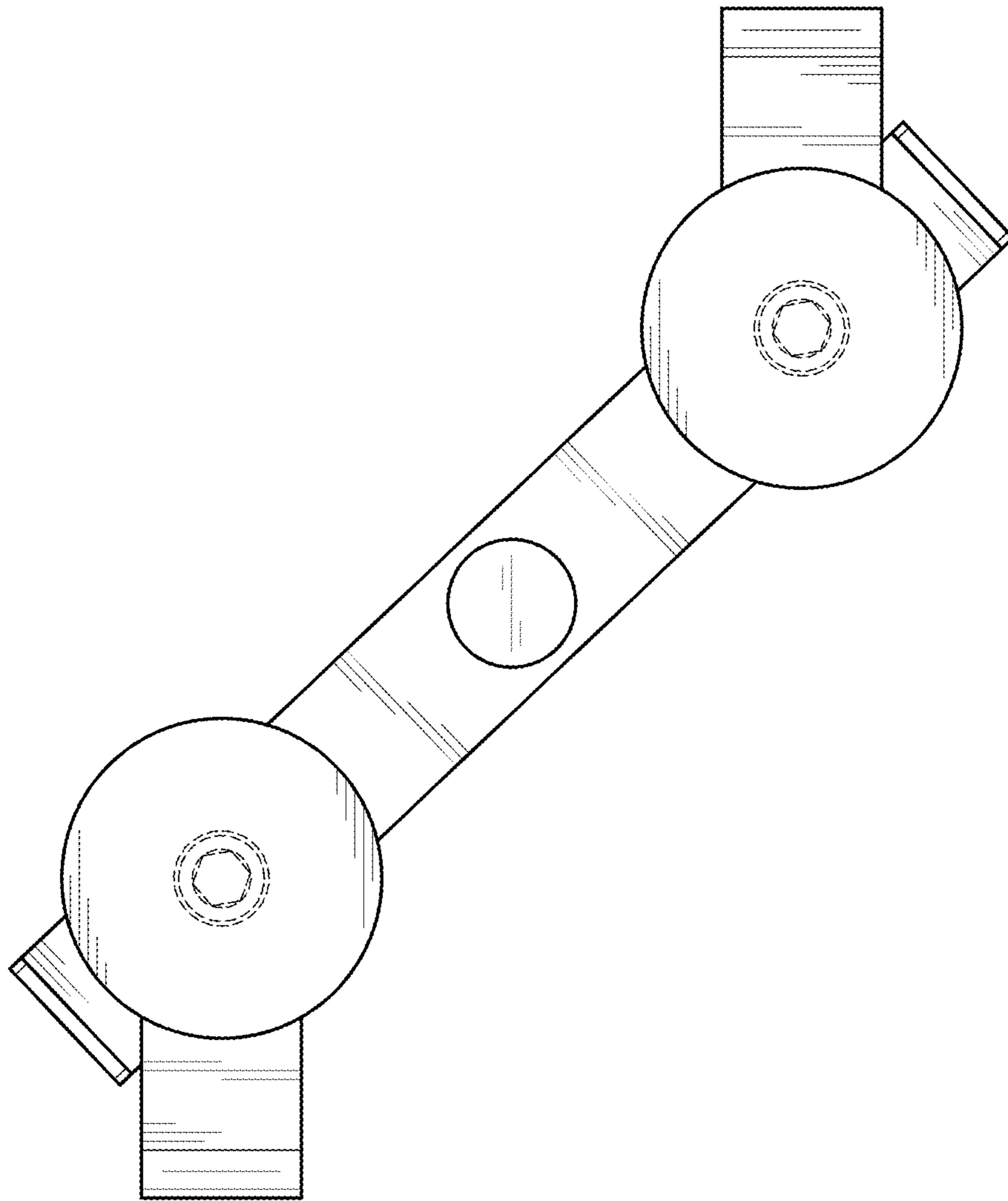


FIG. 4

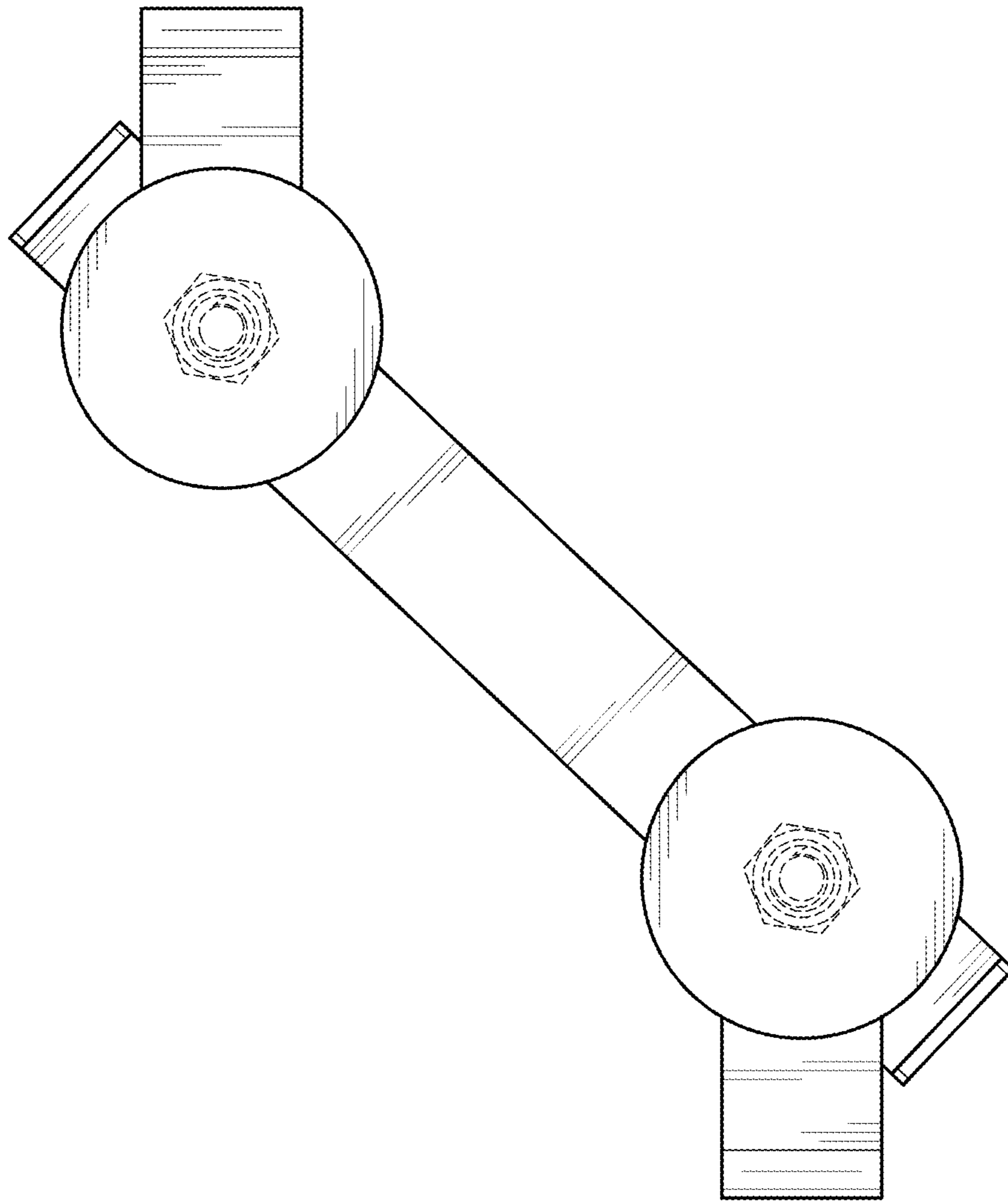


FIG. 5

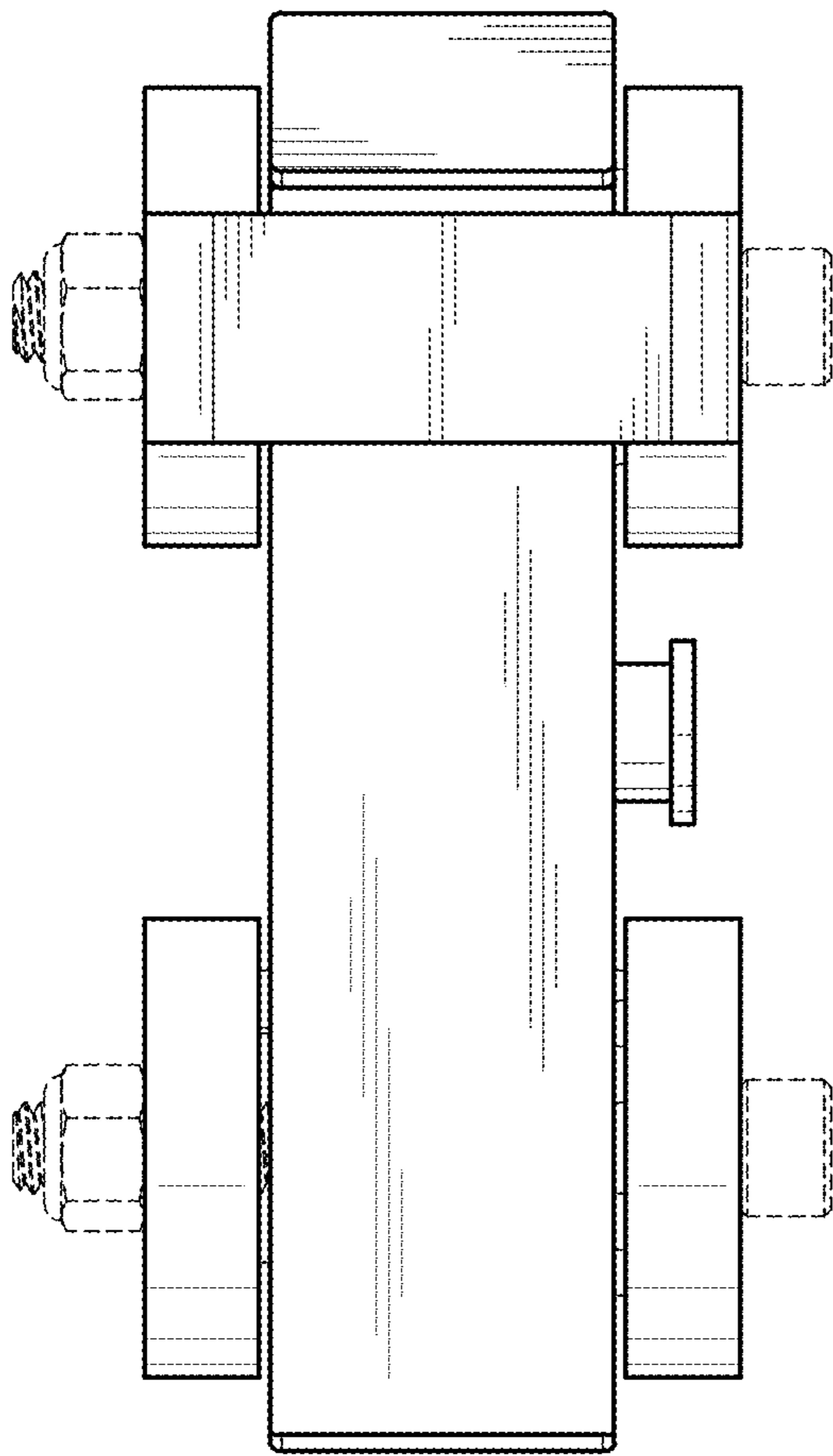


FIG. 6

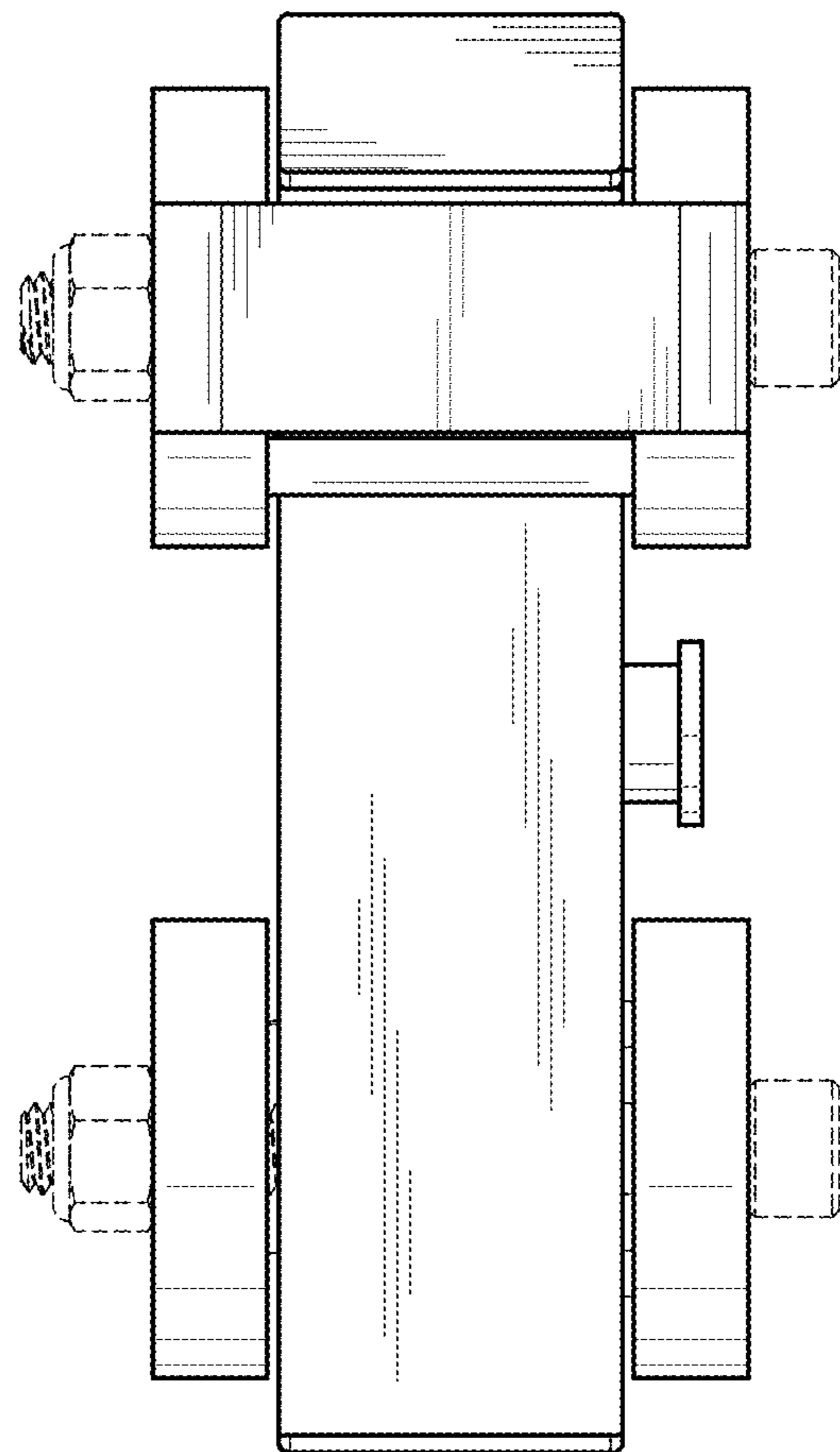


FIG. 7