



US00D903466S

(12) **United States Design Patent** (10) **Patent No.:** **US D903,466 S**  
**North et al.** (45) **Date of Patent:** **\*\* Dec. 1, 2020**

(54) **VEHICLE ACCESSORY KNOB** D324,411 S \* 3/1992 Jolibois ..... D23/250  
D336,947 S \* 6/1993 Gottwald ..... D23/250  
(71) Applicant: **DieselPro, LLC**, St. George, UT (US) 7,462,795 B2 \* 12/2008 Montalvo ..... G05G 1/105  
200/11 R  
(72) Inventors: **Tianna North**, St. George, UT (US); D631,726 S \* 2/2011 Ferreira Sanchez ..... D8/312  
**Jayson Thomson**, Washington, UT D781,126 S \* 3/2017 Pionek ..... D8/310  
(US) D867,850 S \* 11/2019 Williams ..... D8/312  
2008/0289239 A1 \* 11/2008 Menges ..... G02B 23/14  
42/125

(\*\*) Term: **15 Years**

\* cited by examiner

(21) Appl. No.: **29/705,222**

*Primary Examiner* — Lauren R Calve

(22) Filed: **Sep. 10, 2019**

(74) *Attorney, Agent, or Firm* — Gurr Brande & Spendlove, PLLC; Robert A. Gurr

(51) **LOC (12) Cl.** ..... **08-06**

(52) **U.S. Cl.**  
USPC ..... **D8/312**

(57) **CLAIM**

(58) **Field of Classification Search**  
USPC ..... D8/107, 300, 301, 307, 310, 311, 312;  
D23/250, 421; D7/393, 394, 396, 402,  
D7/406, 543, 545, 547, 548

The ornamental design for a vehicle accessory knob, as shown and described.

CPC ... Y10T 292/57; Y10T 292/82; Y10T 16/469;  
Y10T 16/44; Y10T 16/476; Y10T  
74/2084; Y10T 292/85; Y10T 74/2087;  
Y10T 16/4713; Y10T 16/506; Y10T  
74/20876; Y10T 74/20612; Y10T  
70/5765; Y10T 16/459; Y10T 74/2066;  
Y10T 16/487; Y10T 74/20822

**DESCRIPTION**

See application file for complete search history.

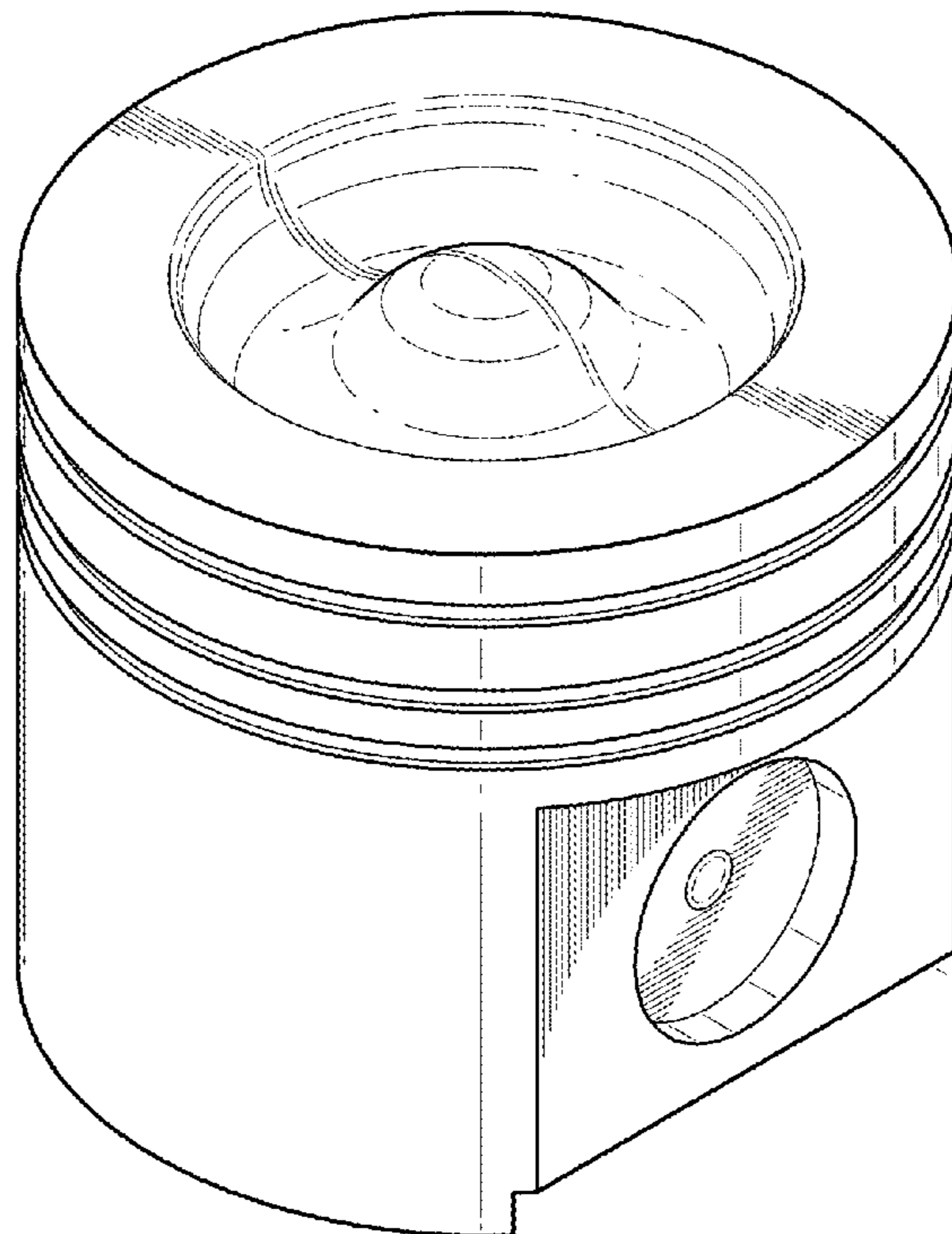
FIG. 1 is a top perspective view of a vehicle accessory knob;  
FIG. 2 is a bottom perspective view of the vehicle accessory knob;  
FIG. 3 is a front elevation view of the vehicle accessory knob;  
FIG. 4 is a side elevation view of the vehicle accessory knob;  
FIG. 5 is a rear elevation view of the vehicle accessory knob;  
FIG. 6 is a top plan view of the vehicle accessory knob; and,  
FIG. 7 is a bottom plan view of the vehicle accessory knob.  
The broken lines shown in the drawings are for the purpose of illustrating portions of the knob that form no part of the claimed design.

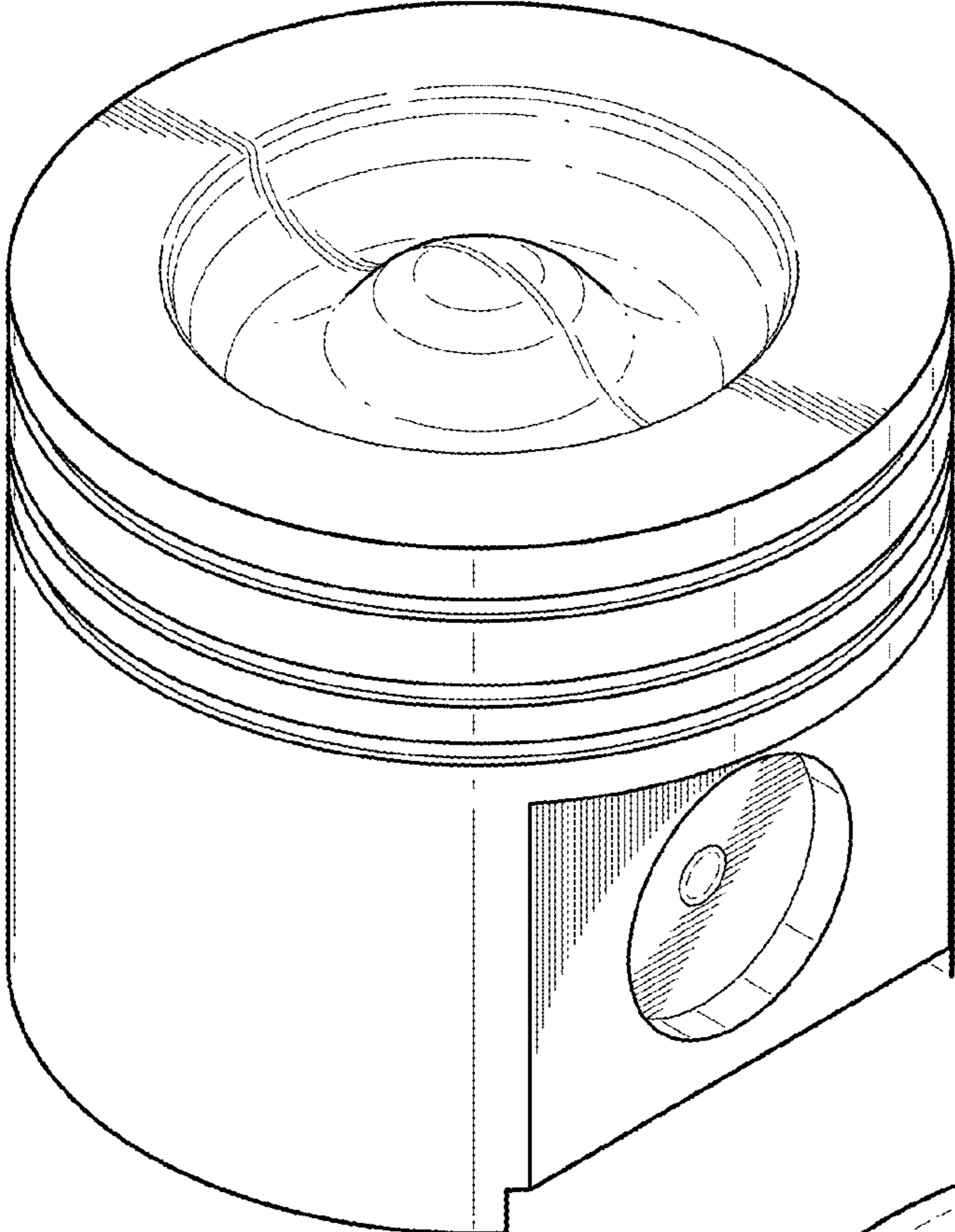
(56) **References Cited**

U.S. PATENT DOCUMENTS

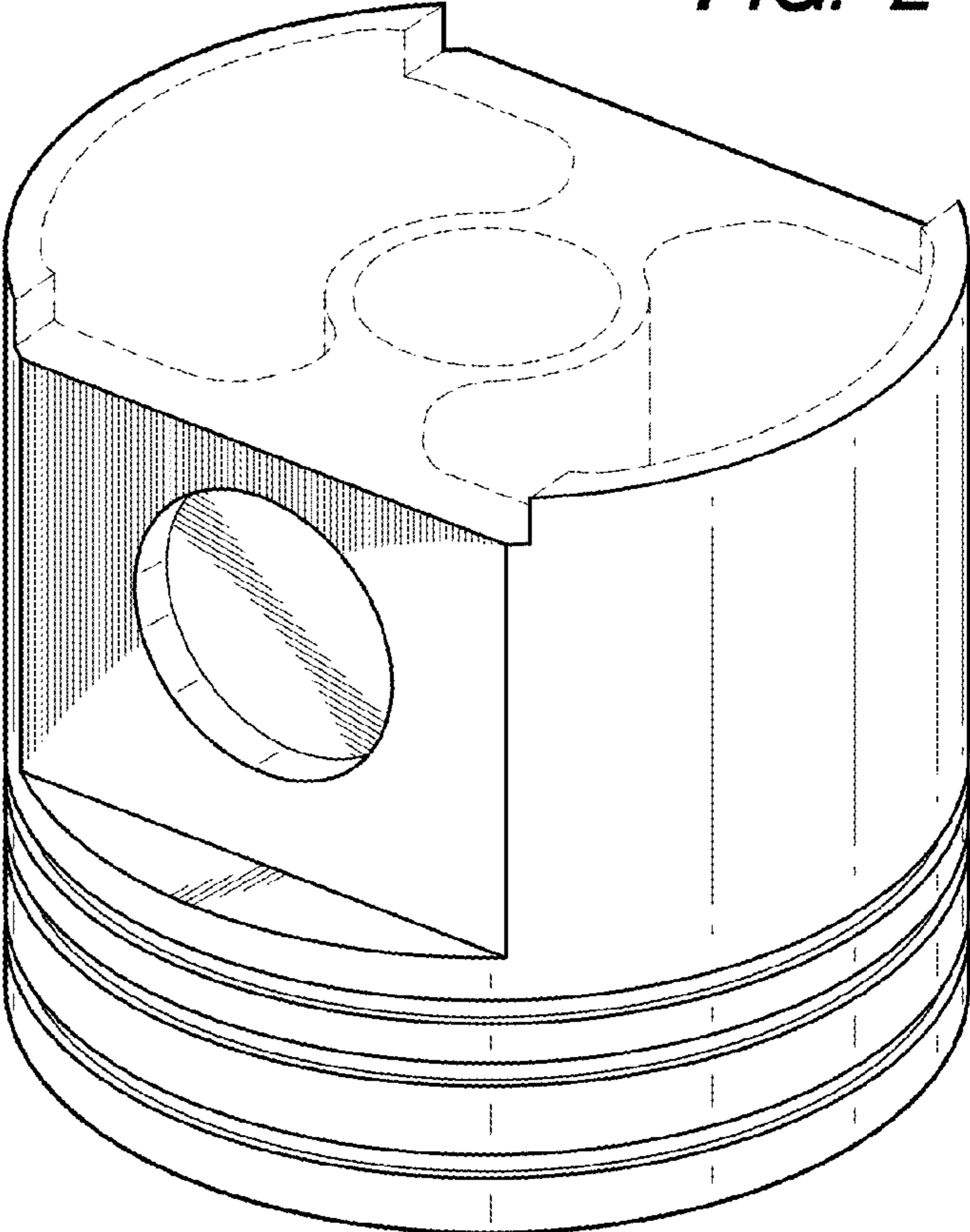
D190,175 S \* 4/1961 Garnick ..... D13/165  
D223,799 S \* 6/1972 Jensen ..... D8/312  
D268,358 S \* 3/1983 Saporito ..... D23/250  
D305,725 S \* 1/1990 Yung ..... D8/312

**1 Claim, 4 Drawing Sheets**

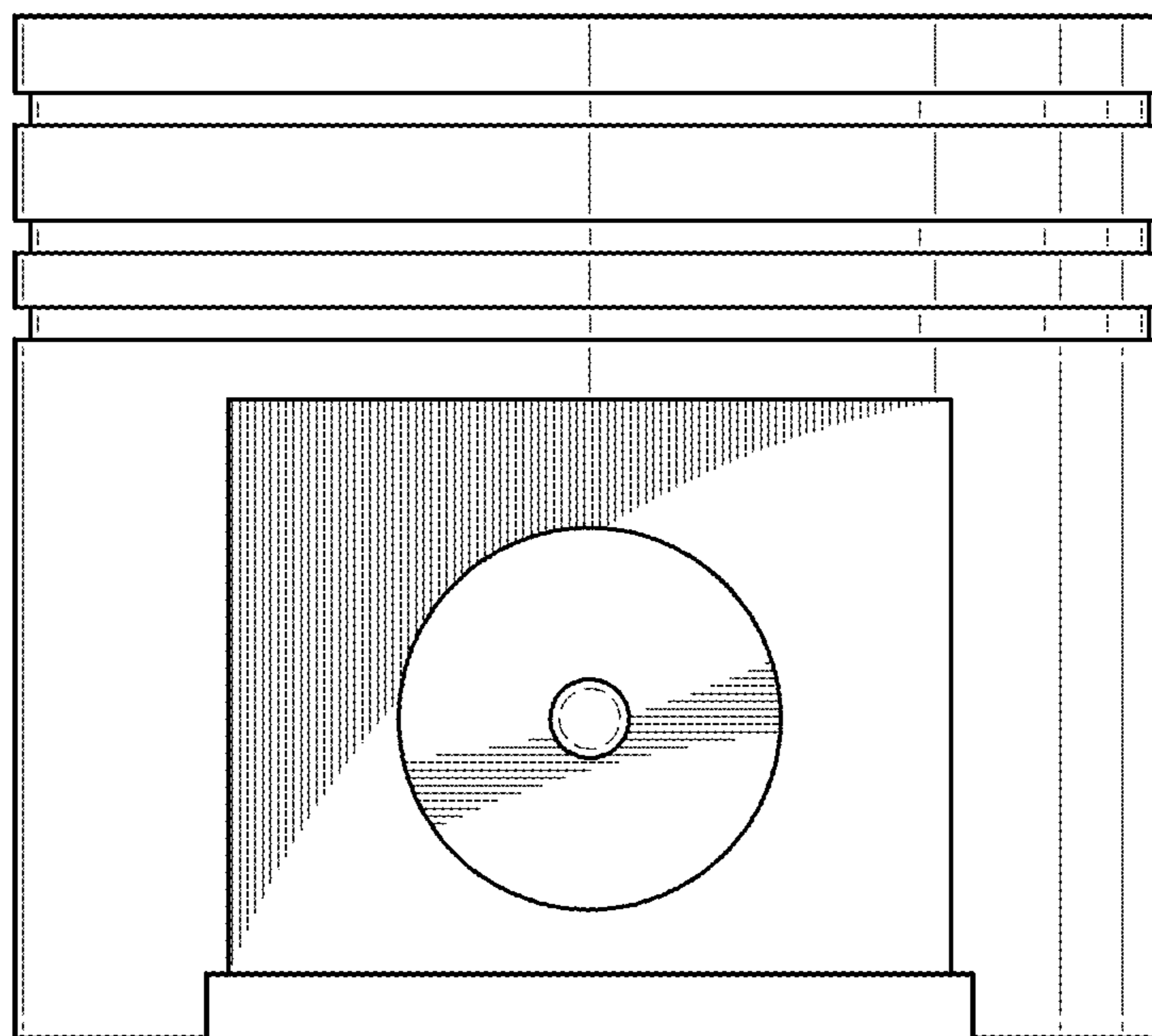




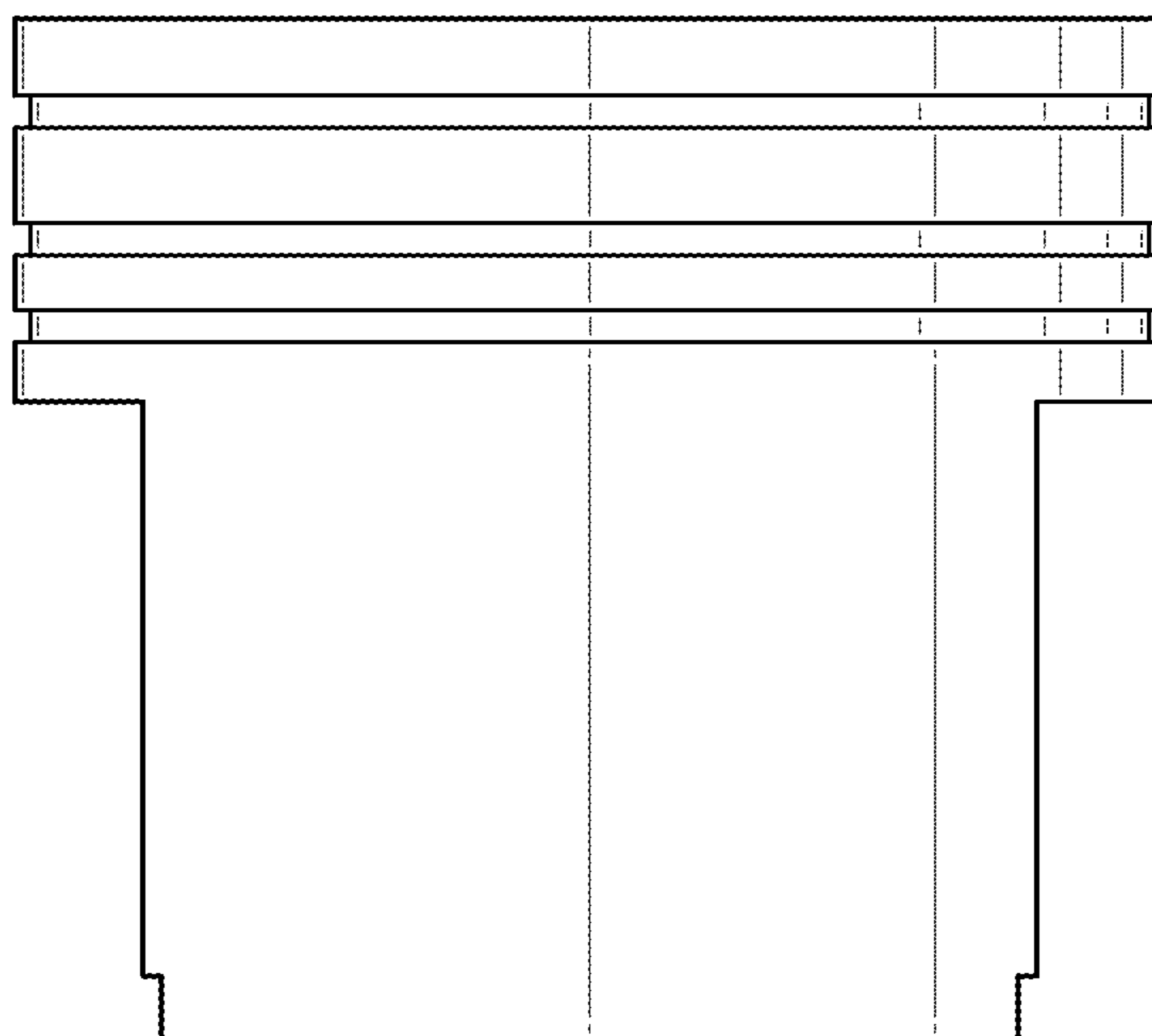
**FIG. 1**



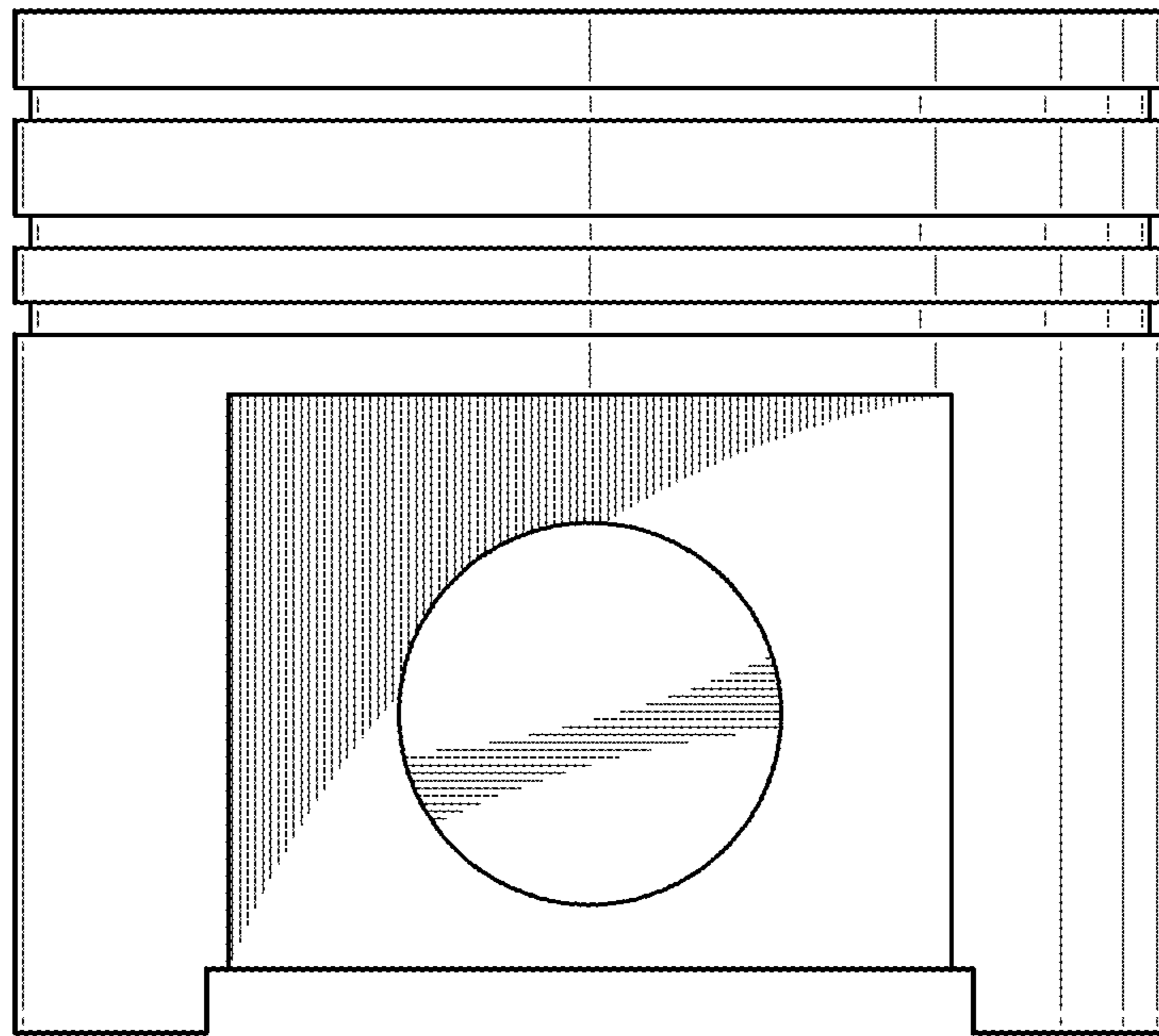
**FIG. 2**



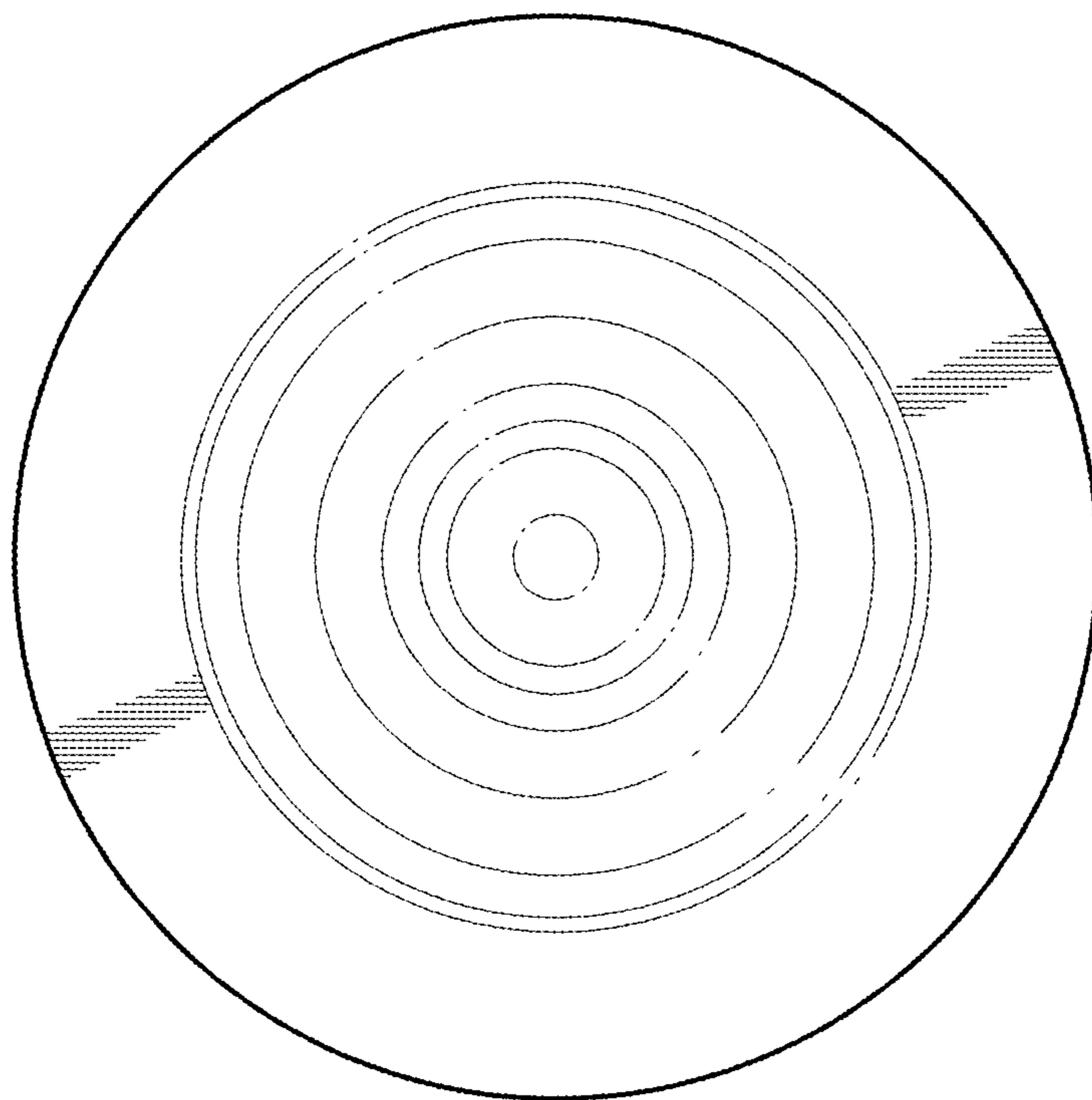
**FIG. 3**



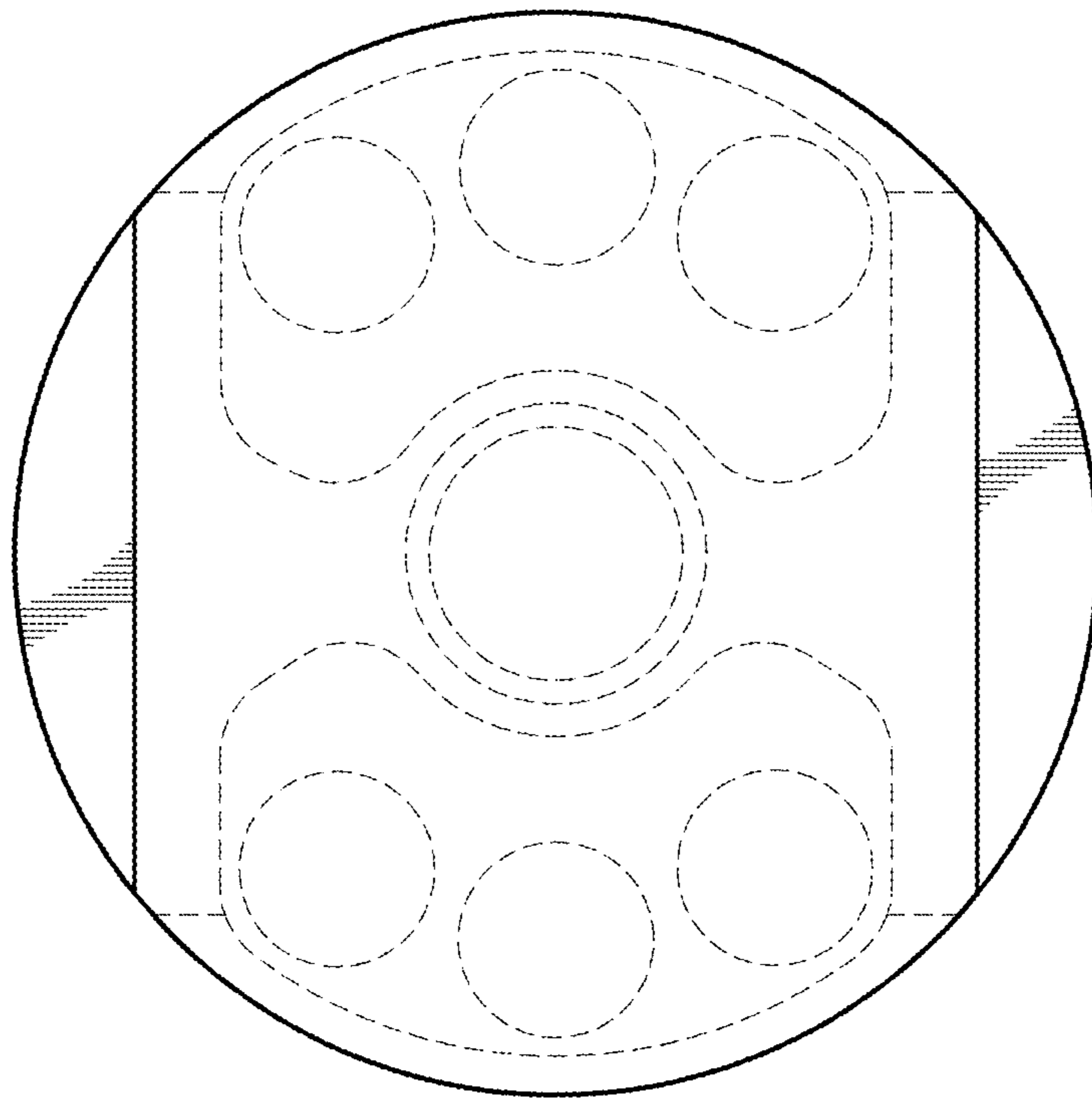
**FIG. 4**



**FIG. 5**



**FIG. 6**



**FIG. 7**