



US00D903464S

(12) **United States Design Patent**
Groleski et al.

(10) **Patent No.:** **US D903,464 S**

(45) **Date of Patent:** **** Dec. 1, 2020**

- (54) **KNOB**
- (71) Applicant: **Schlage Lock Company LLC**, Carmel, IN (US)
- (72) Inventors: **Autumn A. Groleski**, Noblesville, IN (US); **Zachary P. Boomer**, Carmel, IN (US)
- (73) Assignee: **Schlage Lock Company LLC**, Carmel, IN (US)
- (**) Term: **15 Years**
- (21) Appl. No.: **29/702,110**
- (22) Filed: **Aug. 16, 2019**
- (51) **LOC (12) Cl.** **08-06**
- (52) **U.S. Cl.**
USPC **D8/310**
- (58) **Field of Classification Search**
USPC D8/300, 307, 310; D7/393; D23/250, D23/252, 254
CPC ... Y10T 292/57; Y10T 16/469; Y10T 292/82; Y10T 74/2084; Y10T 292/85; Y10T 16/458; Y10T 16/506; Y10T 70/5155; Y10T 16/46; Y10T 16/4559; Y10T 74/20828; Y10T 70/8541; Y10T 74/20612; Y10T 16/459; Y10T 16/487; Y10T 70/5389; Y10T 16/462; Y10T 16/4636; E05B 1/0007; E05B 3/00; Y10S 16/30; Y10S 292/53; Y10S 292/27
See application file for complete search history.

- D563,758 S * 3/2008 Oliver D8/310
- D584,127 S * 1/2009 Matijevic D8/305
- D587,555 S * 3/2009 Krumpel D8/305
- D596,916 S * 7/2009 Calatrava Valls D8/305
- D660,679 S * 5/2012 Han D8/310
- 8,360,488 B2 * 1/2013 Forrest E05B 1/0015
292/348
- 8,495,798 B1 * 7/2013 Parker E05B 1/0007
16/414
- D772,686 S * 11/2016 Zimmer D8/310
- D772,688 S * 11/2016 Zimmer D8/310

* cited by examiner

Primary Examiner — Lauren R Calve

(74) *Attorney, Agent, or Firm* — Taft Stettinius & Hollister LLP

(57) **CLAIM**

The ornamental design for a knob, as shown and described.

DESCRIPTION

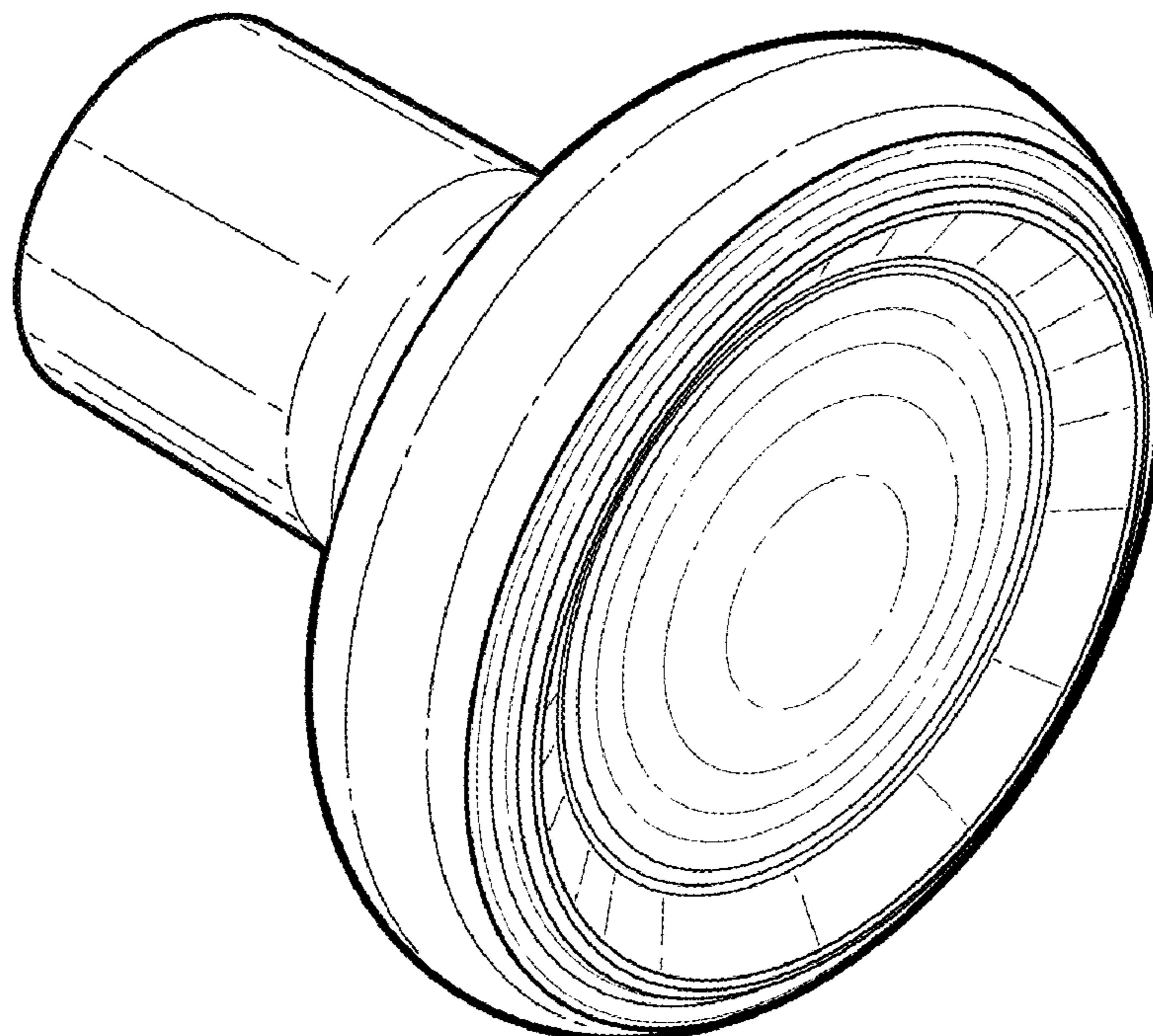
FIG. 1 is a front, left side perspective view of a knob showing our new design;
 FIG. 2 is a rear, right side perspective view thereof;
 FIG. 3 is a front elevational view thereof;
 FIG. 4 is a top plan view thereof;
 FIG. 5 is a bottom plan view thereof; and,
 FIG. 6 is a side elevational view thereof.
 The broken lines in the drawing figures form no part of the claimed design.

1 Claim, 3 Drawing Sheets

(56) **References Cited**

U.S. PATENT DOCUMENTS

- 372,649 A * 11/1887 Alden G05G 1/02
40/331
- D542,115 S * 5/2007 Hanna D8/310



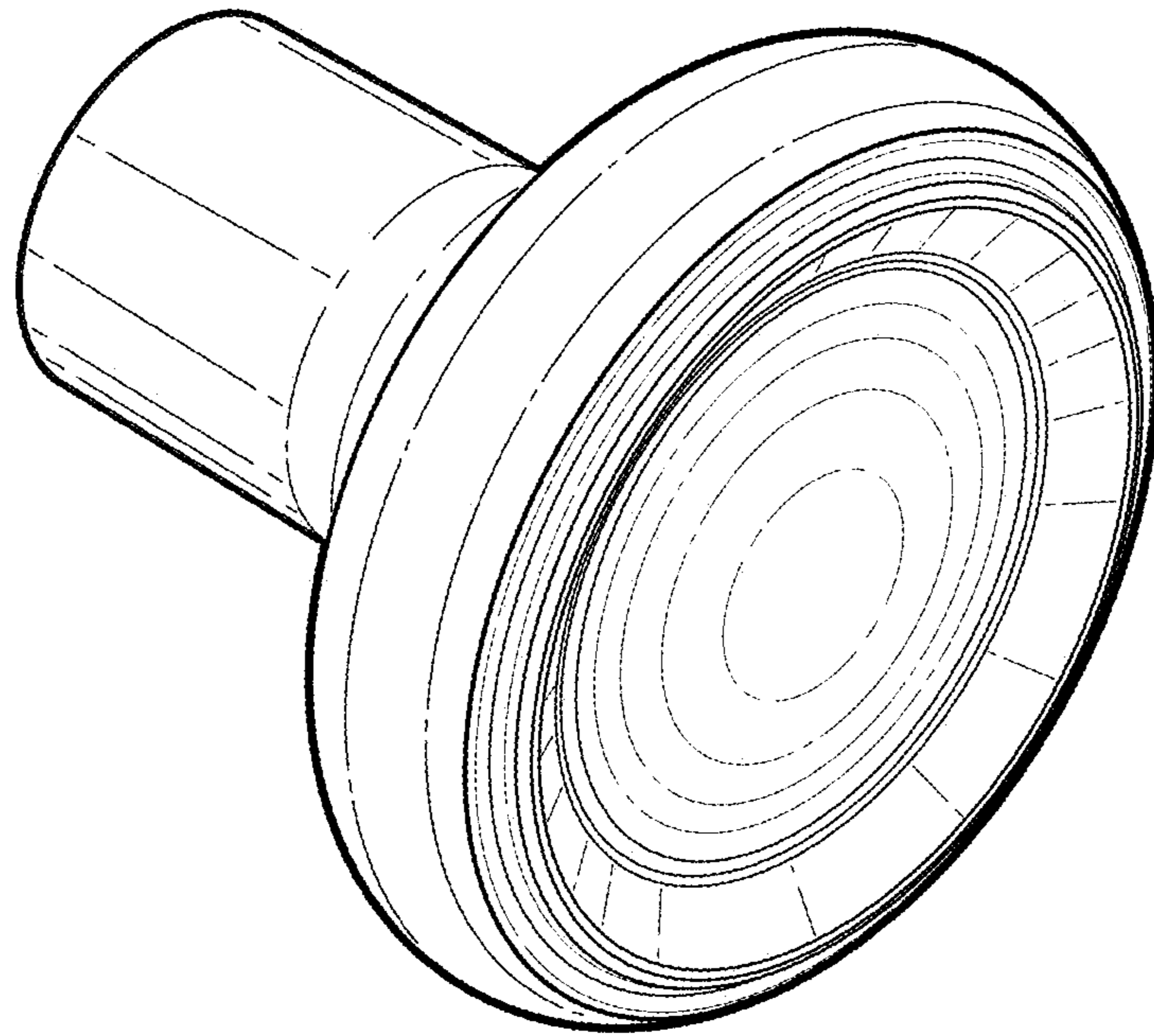


Fig. 1

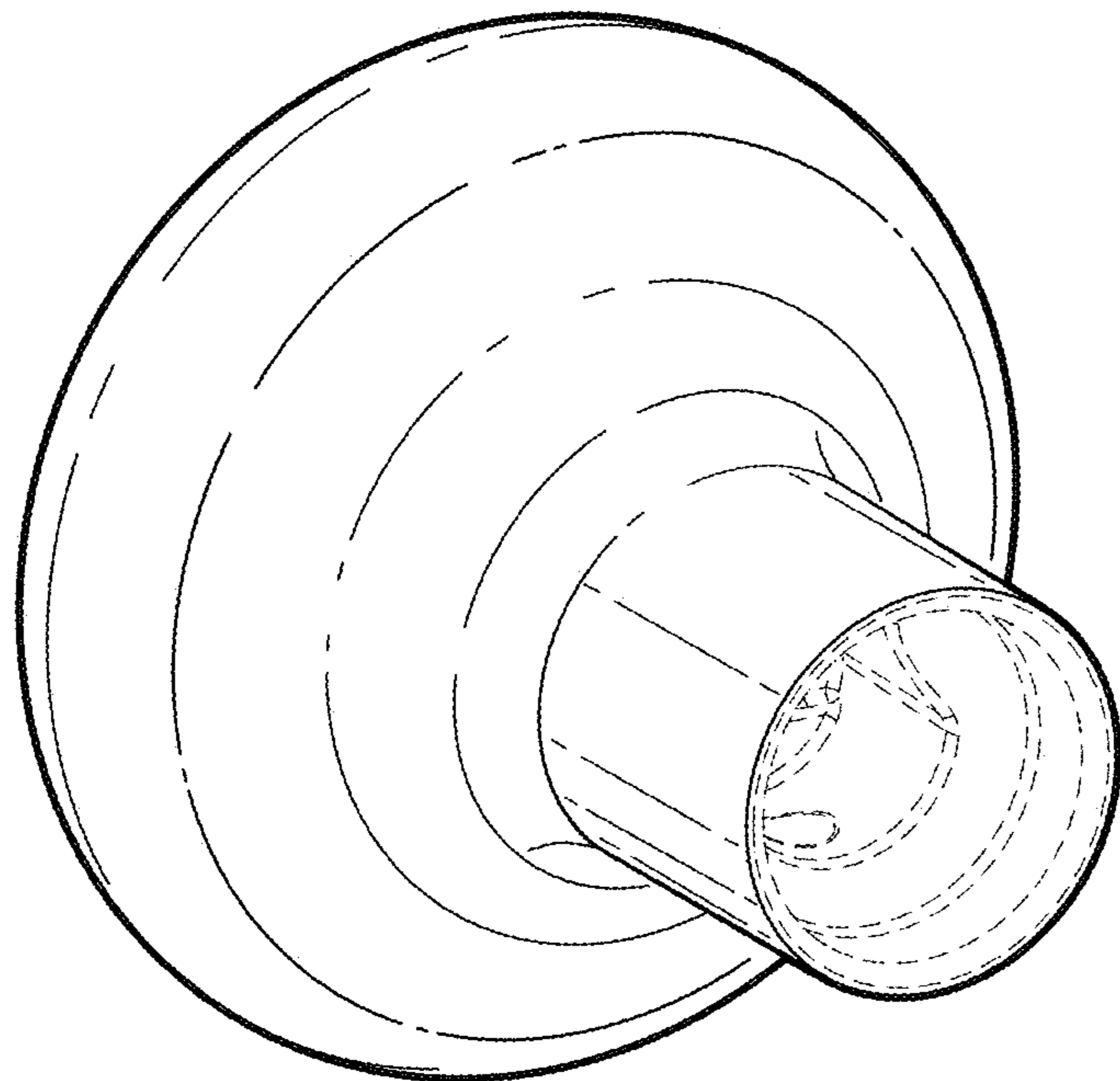


Fig. 2

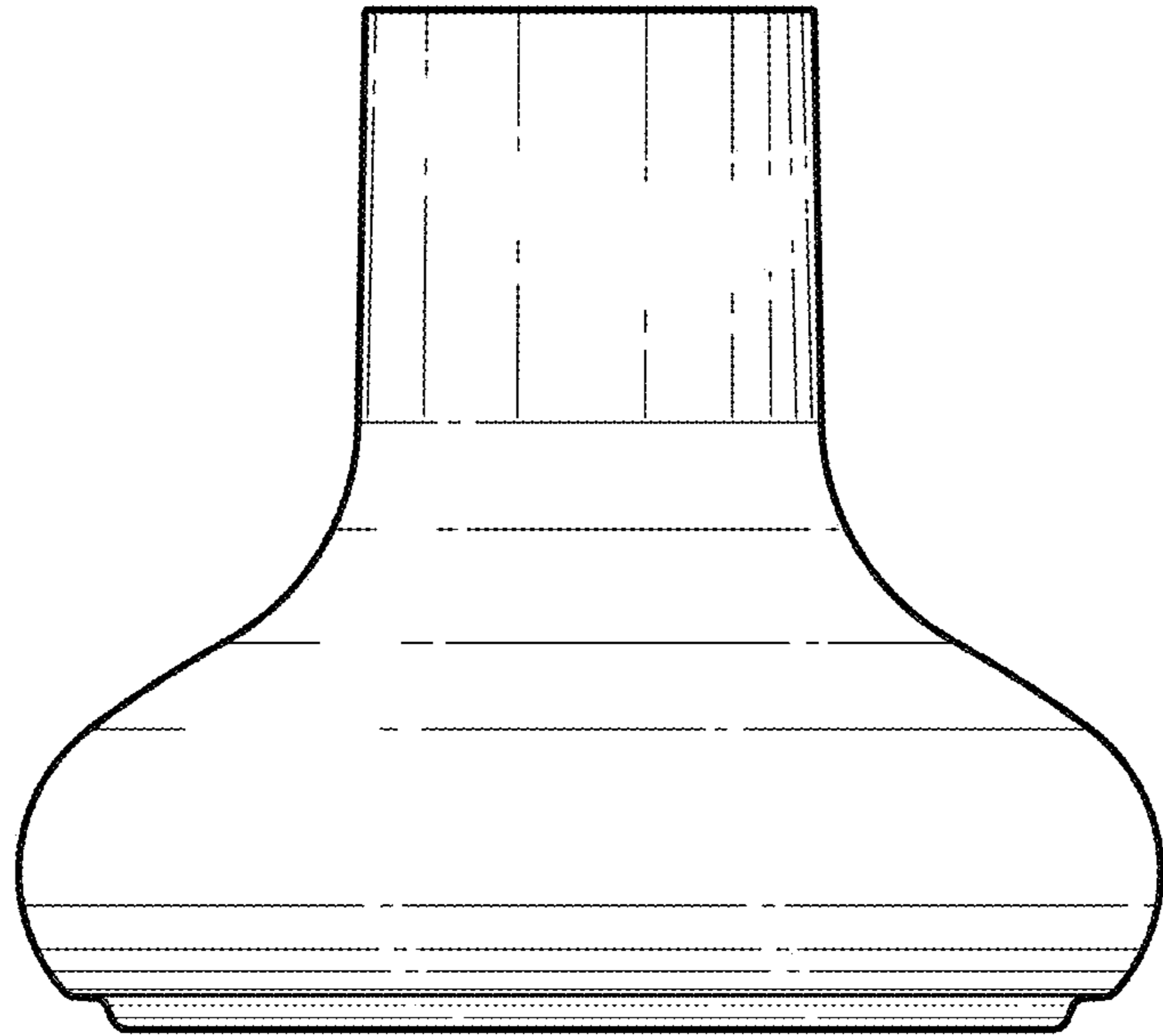


Fig. 4

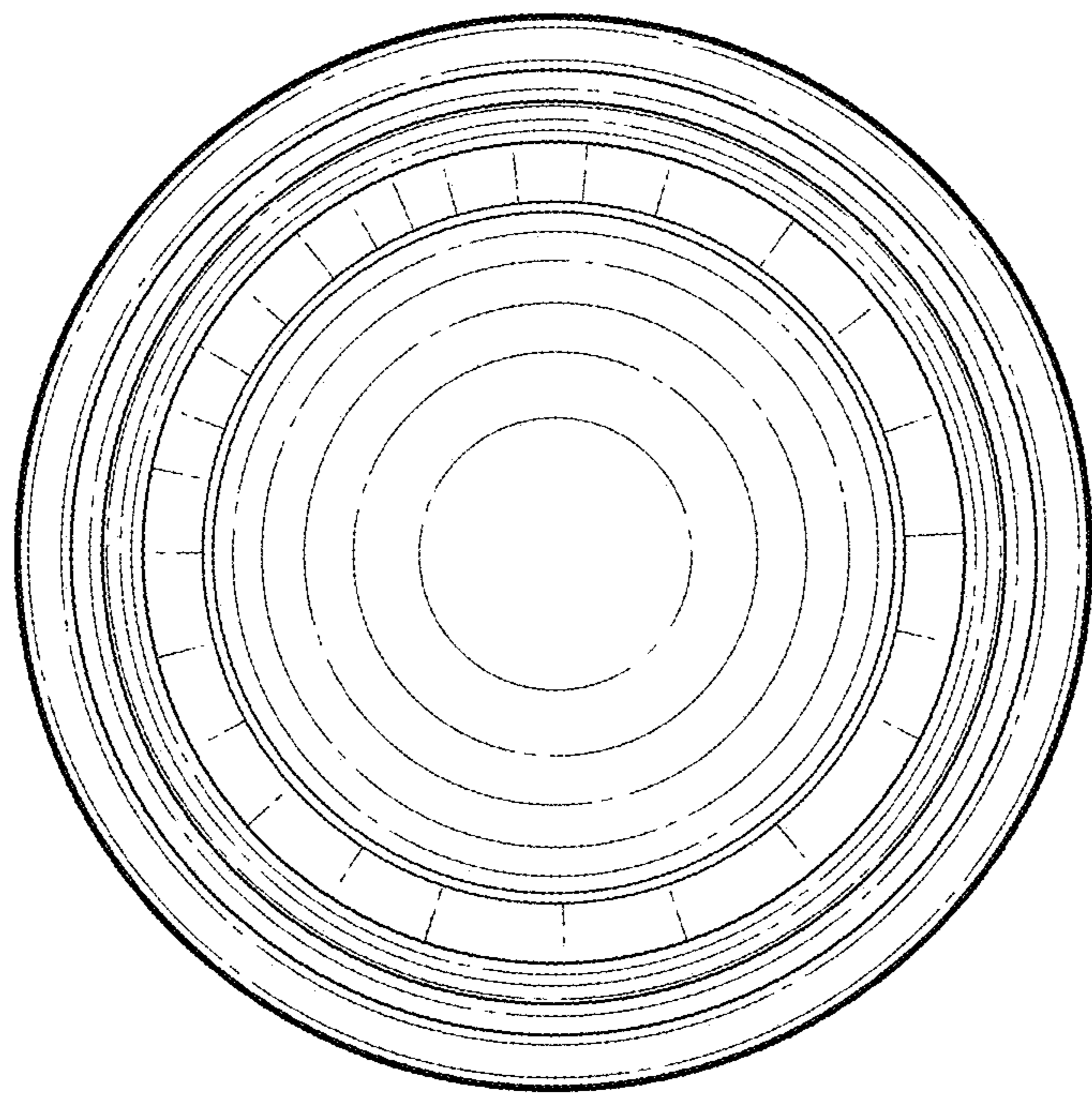


Fig. 3

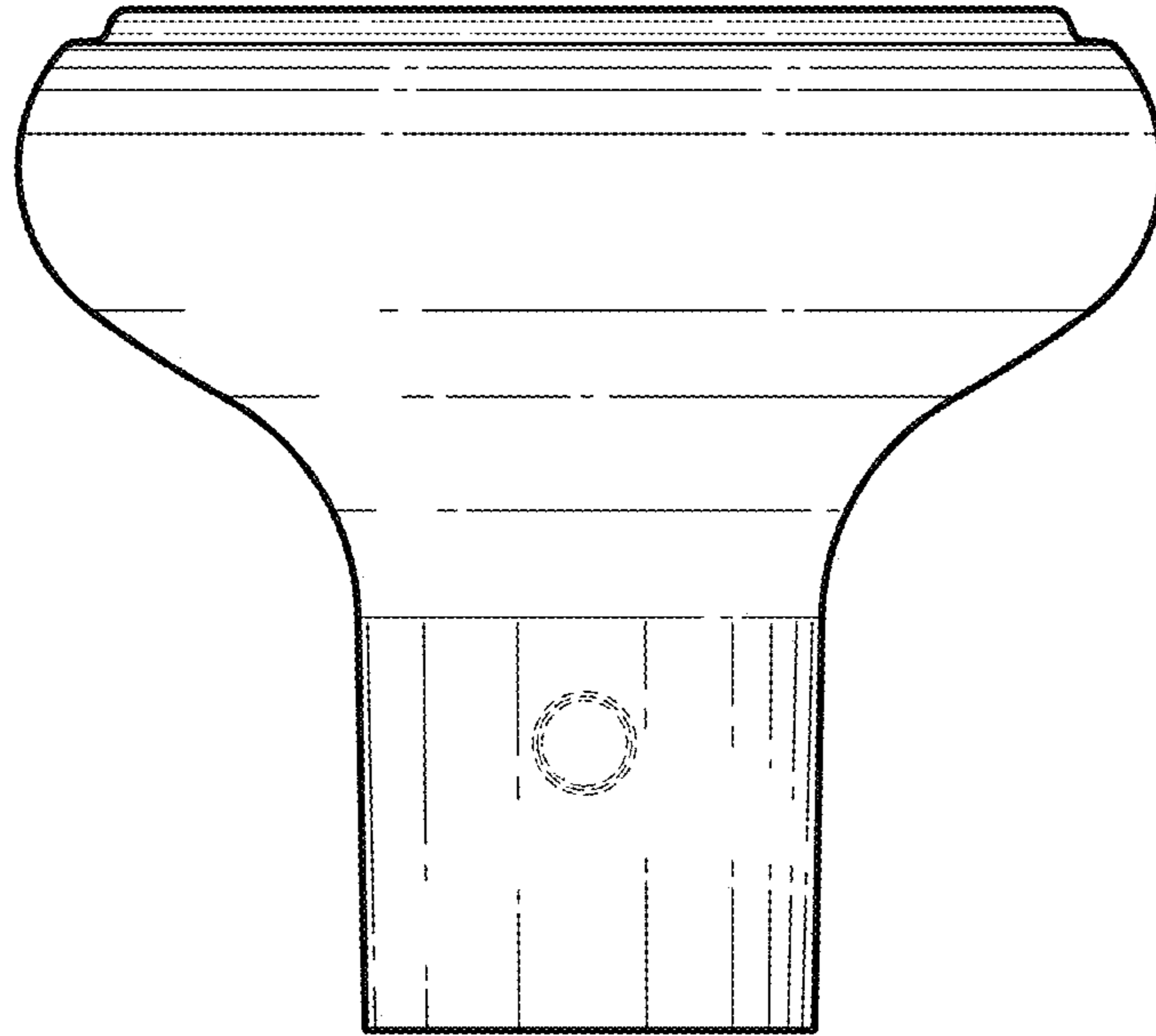


Fig. 5

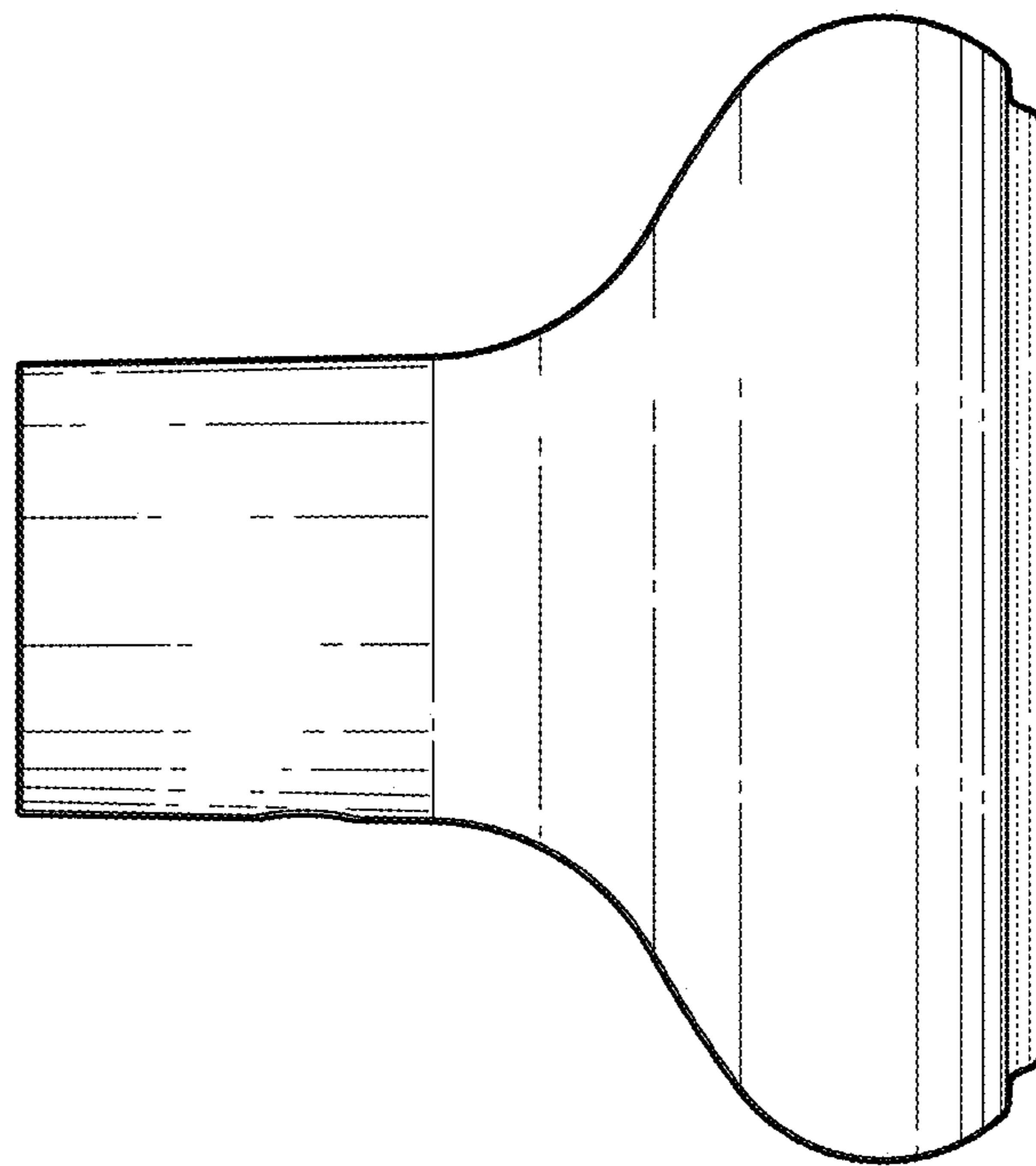


Fig. 6