



US00D903462S

(12) **United States Design Patent** (10) **Patent No.:** **US D903,462 S**
Watson (45) **Date of Patent:** **** Dec. 1, 2020**

(54) **LEVER**

(71) Applicant: **Schlage Lock Company LLC**, Carmel, IN (US)

(72) Inventor: **Aida K. N. Watson**, Noblesville, IN (US)

(73) Assignee: **Schlage Lock Company LLC**, Carmel, IN (US)

(**) Term: **15 Years**

(21) Appl. No.: **29/702,879**

(22) Filed: **Aug. 22, 2019**

(51) **LOC (12) Cl.** **08-06**

(52) **U.S. Cl.**
USPC **D8/308**

(58) **Field of Classification Search**
USPC D8/300-302, 307-309, 310, 311, D8/DIG. 10; D23/250, 252
CPC Y10T 16/44; Y10T 74/20612; Y10T 74/20732; Y10T 16/458; Y10T 16/498; Y10T 16/469; Y10T 16/476; Y10T 74/20744; Y10T 74/20864; Y10T 16/4628; Y10T 74/20642; Y10T 16/473; Y10T 74/20762; Y10T 74/2042; Y10T 74/20828; Y10T 16/459; Y10T 16/4713; Y10T 74/2014; Y10T 16/50; Y10T 74/20438; Y10T 74/20582; Y10T 74/20738; Y10T 16/48; Y10T 74/20618; Y10T 74/20684; Y10T 74/20624; Y10T 74/20468; Y10T 16/61; Y10T 16/4719; Y10T 16/86; Y10S 16/30; Y10S 292/31; Y10S 292/53; Y10S 16/12; Y10S 292/23; Y10S 292/27; Y10S 292/30; Y10S 292/63; E05B 85/16; E05B 1/0015; E05B 77/06; E05B 79/06; E05B 85/18; E05B 85/12; E05B 85/10; E05B 7/00; E05B 1/0053; E05B 77/265

See application file for complete search history.

(56) **References Cited**

U.S. PATENT DOCUMENTS

D81,465	S	*	6/1930	Schnell	D8/308
D81,761	S	*	8/1930	Schnell	D8/308
D91,088	S	*	11/1933	Schnell	D8/308
2,729,485	A	*	1/1956	Schlage	E05B 3/065 292/1
D302,516	S	*	8/1989	Jans	D8/308
D691,451	S	*	10/2013	Weathersby	D8/302
D850,236	S	*	6/2019	Yu	D8/308
2017/0107739	A1	*	4/2017	Ruff	E05B 45/06

OTHER PUBLICATIONS

Eames Lounge Chair and Ottoman, HermanMiller, https://store.hermanmiller.com/living/lounge-chairs-and-ottomans/eames-lounge-chair-and-ottoman/5667.html?lang=en_US&mrkgcl=583&mrkgadid=935038434&rkg_id=0&adpos=1t2&creative=50000960737&device=c&matchtype=e&network=g&gclid=Cj0KCQiA6ozhBRC8ARIsAlh_VC2TrGYv41YhKNQbjhieXvdvg5ZJixQYctkWLuXG-h6ZkvBPxDtW7U0aAqWtEALw_wcB, 2 pages, Aug. 22, 2019.

* cited by examiner

Primary Examiner — Lauren R Calve
(74) *Attorney, Agent, or Firm* — Taft Stettinius & Hollister LLP

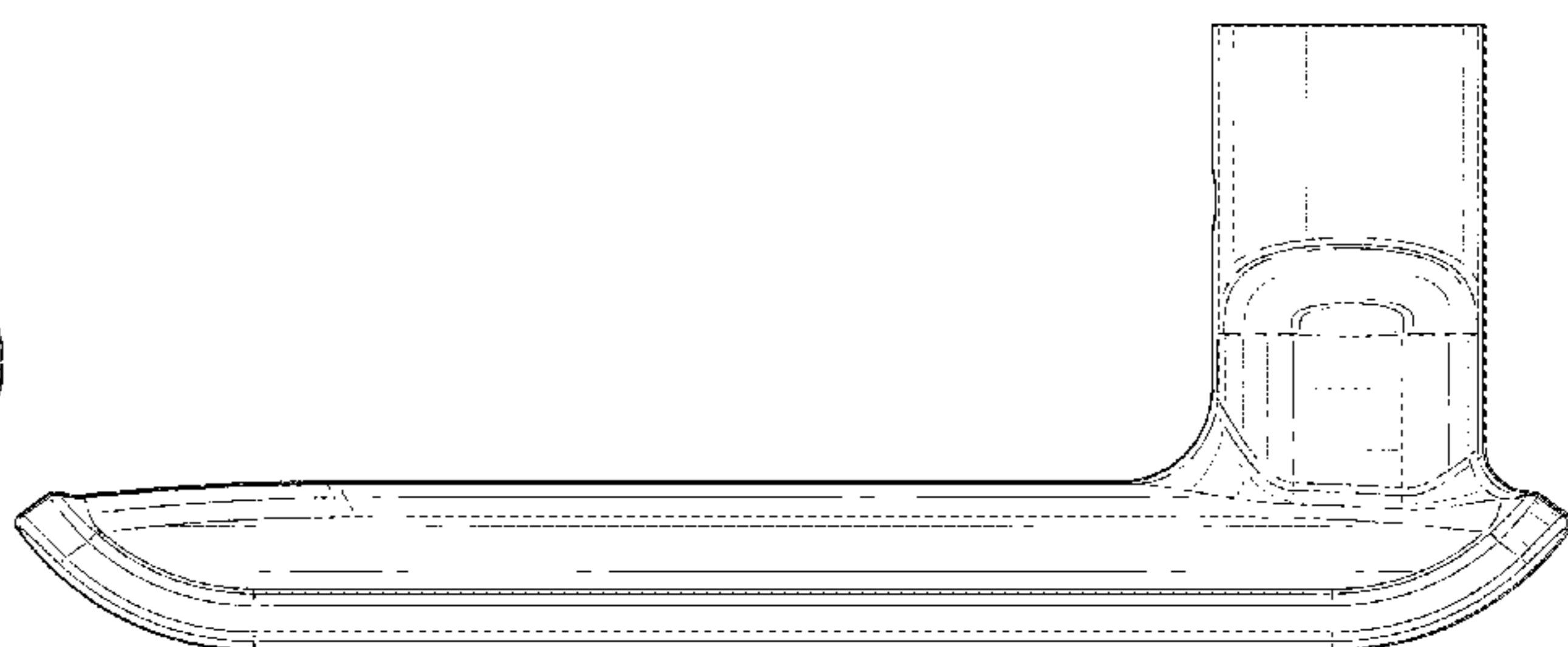
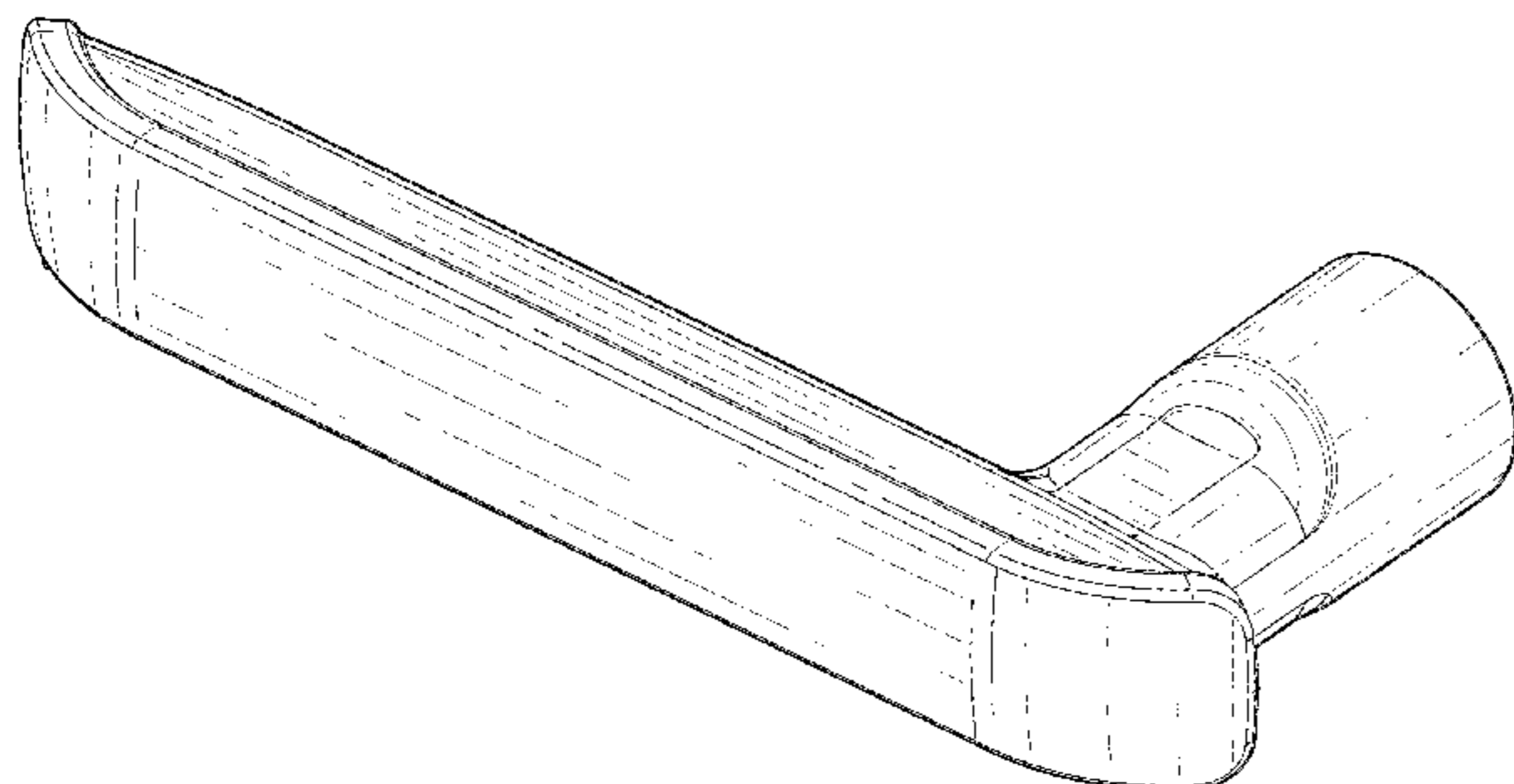
(57) **CLAIM**

The ornamental design for a lever, as shown and described.

DESCRIPTION

FIG. 1 is a top, front, right side perspective view of a lever showing my new design;
FIG. 2 is a bottom, rear, left side perspective view thereof;
FIG. 3 is a front elevational view thereof;
FIG. 4 is a top plan view thereof;
FIG. 5 is a right side elevational view thereof;
FIG. 6 is a left side elevational view thereof;
FIG. 7 is a rear elevational view thereof; and,
FIG. 8 is a bottom plan view thereof.

(Continued)



The broken lines in the drawing figures form no part of the claimed design.

1 Claim, 5 Drawing Sheets

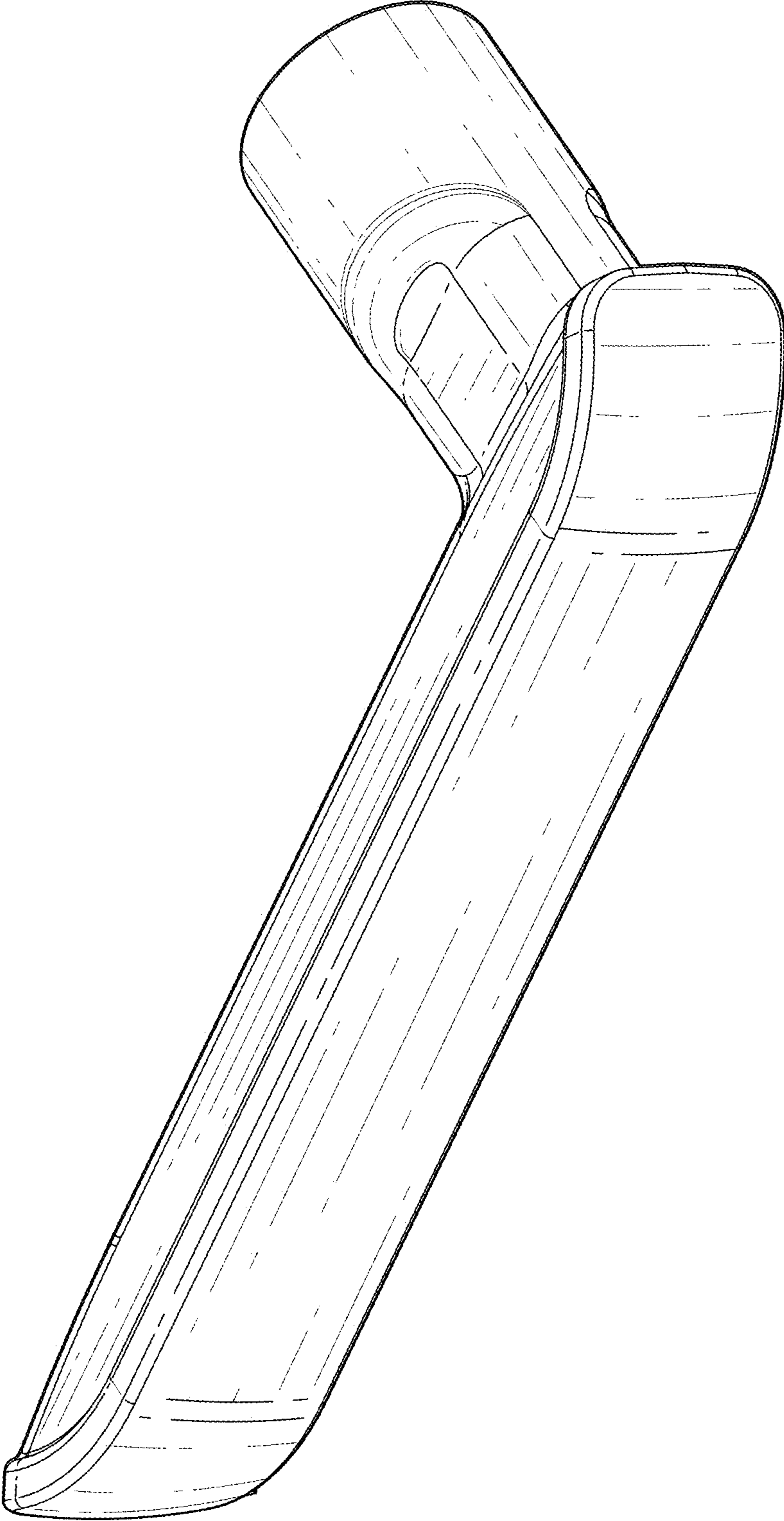


Fig. 1

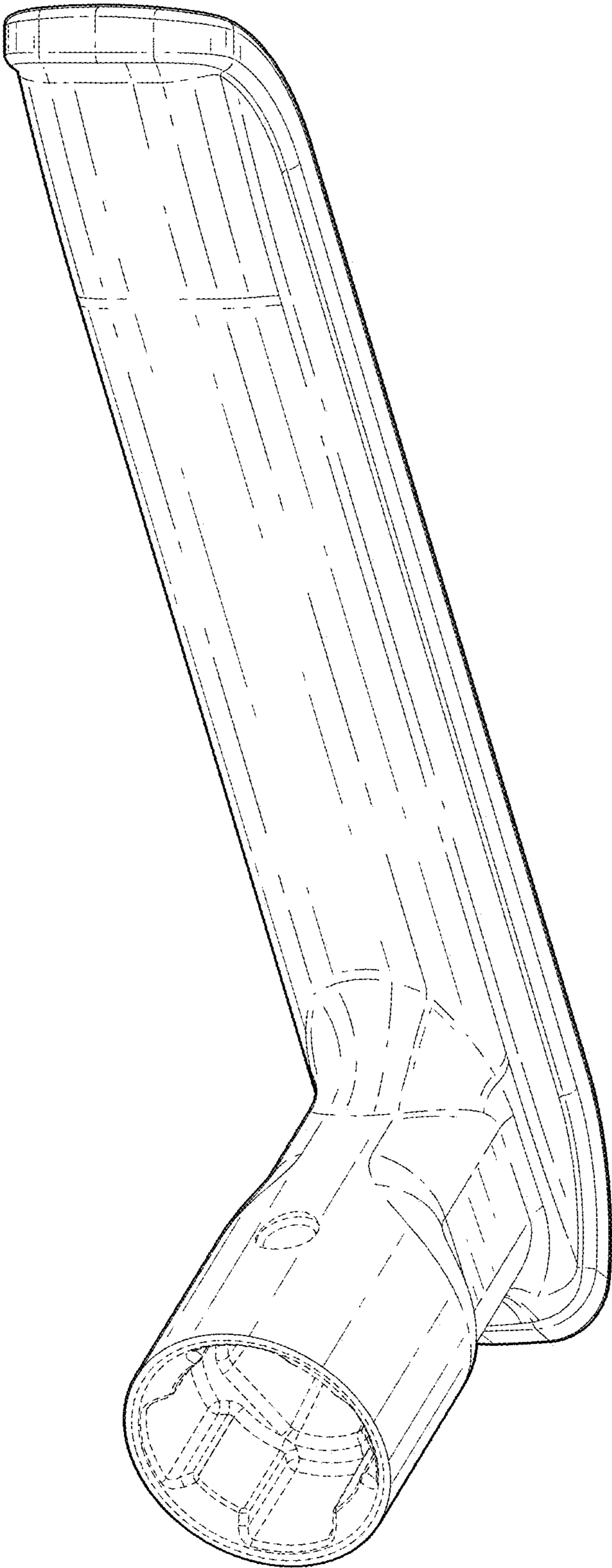


Fig. 2

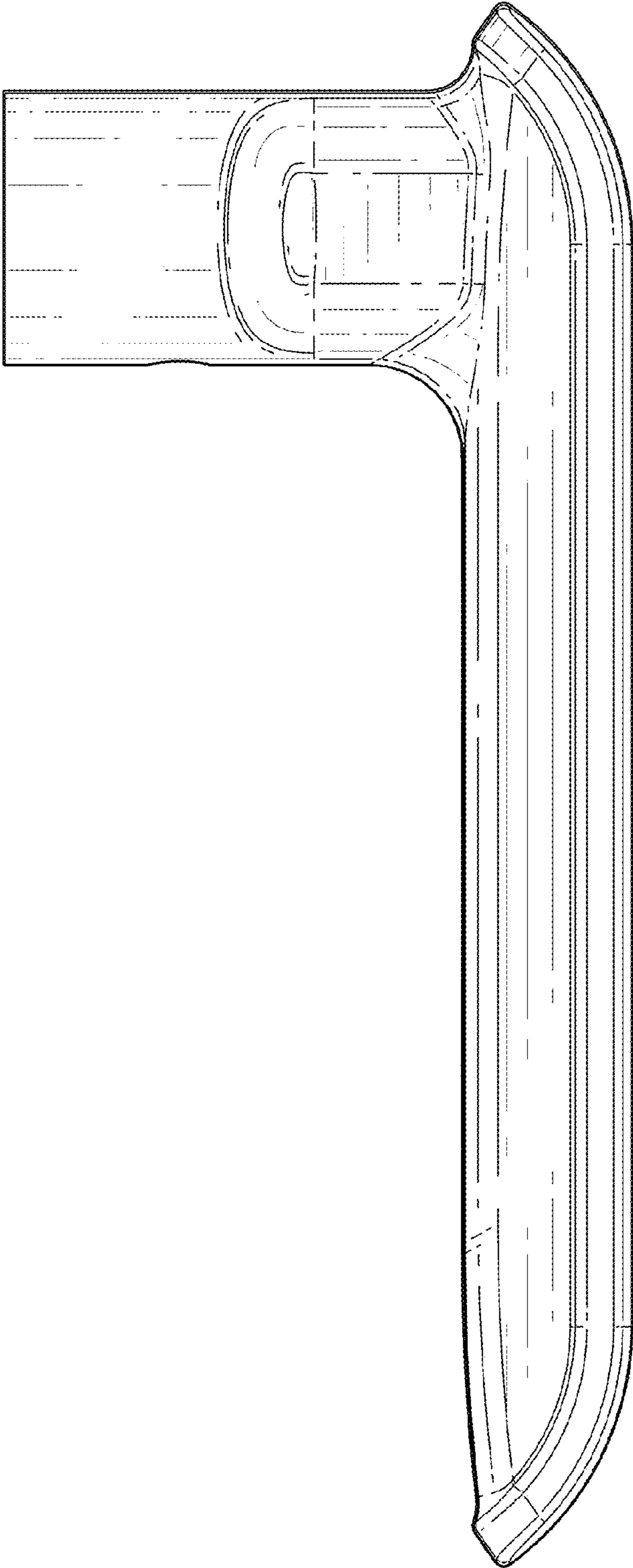


Fig. 4

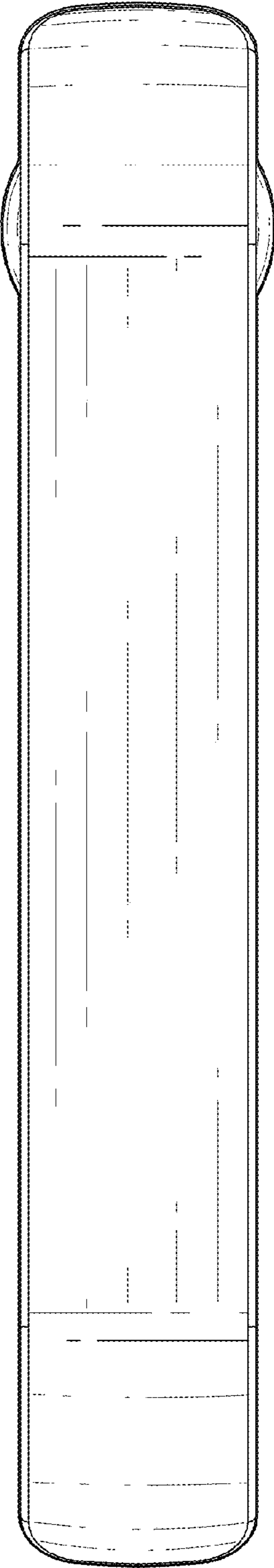


Fig. 3

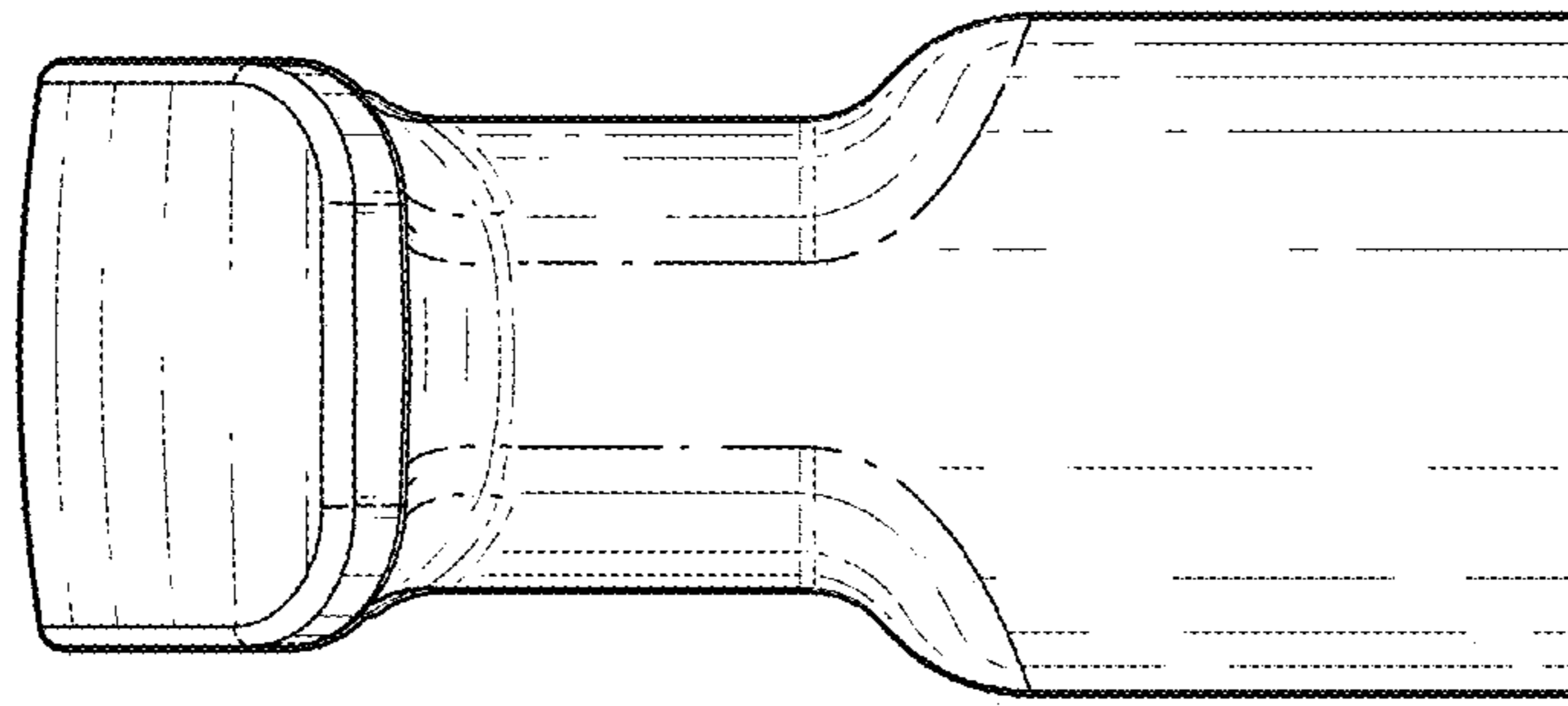


Fig. 5

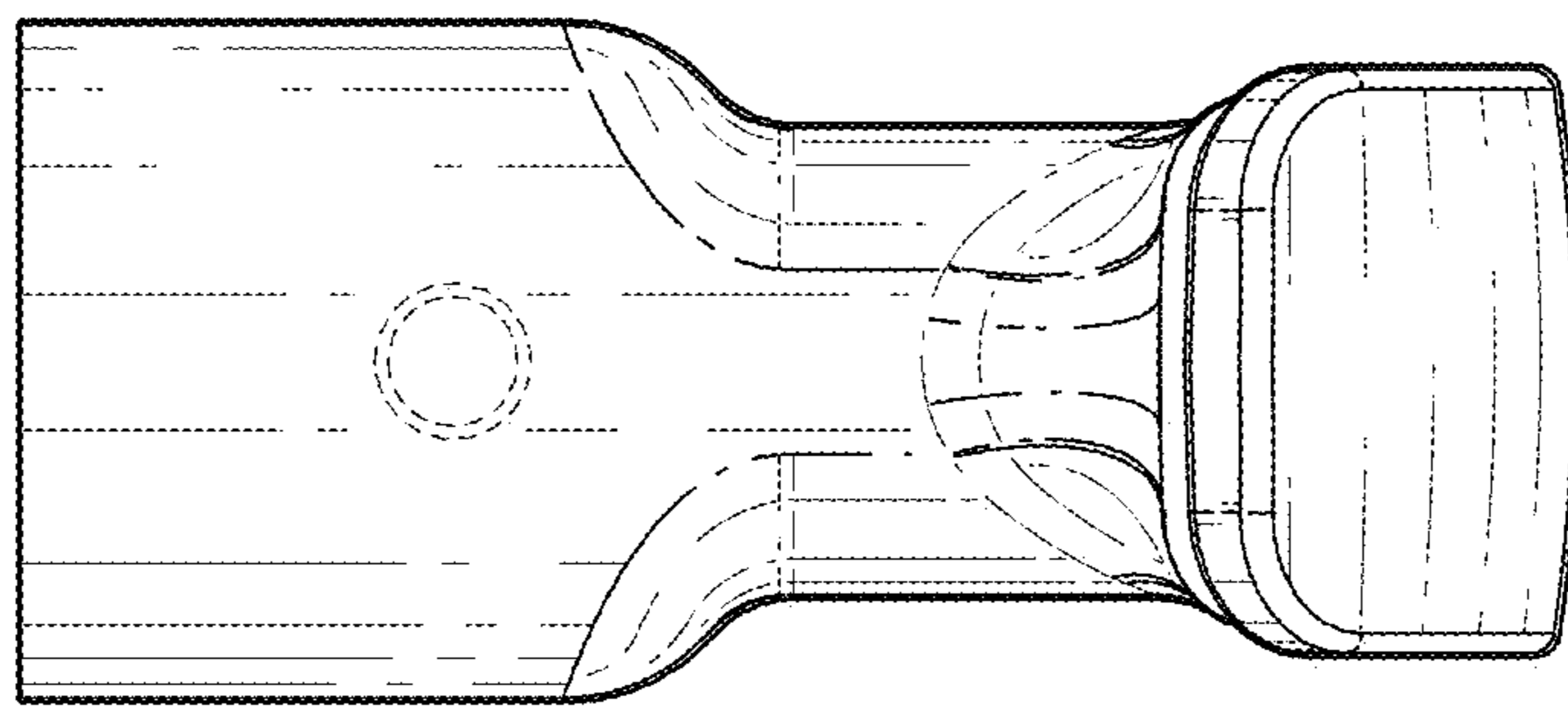


Fig. 6

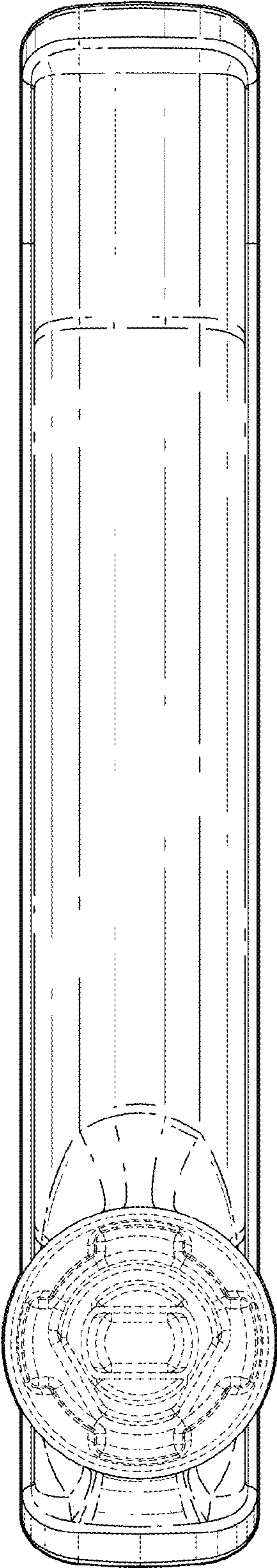


Fig. 7

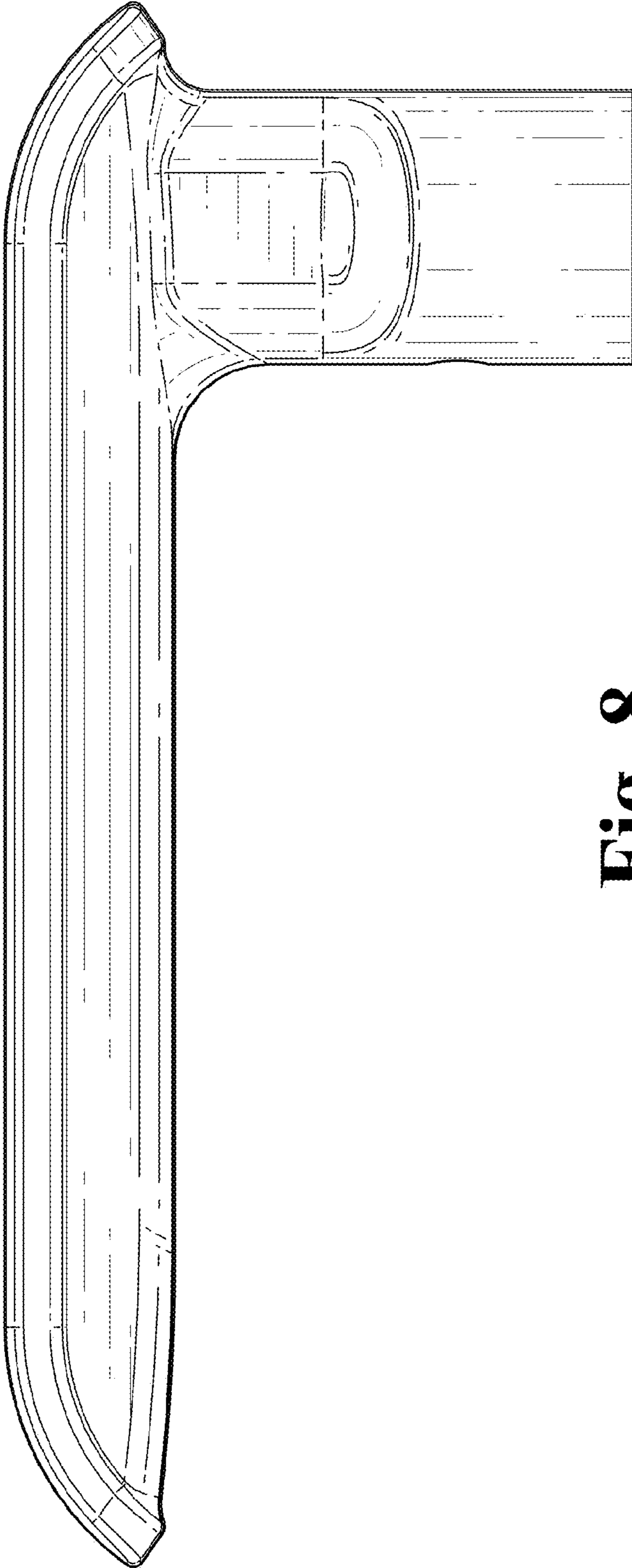


Fig. 8