



US00D903461S

(12) **United States Design Patent** (10) **Patent No.:** **US D903,461 S**
Watson (45) **Date of Patent:** **** Dec. 1, 2020**

- (54) **KNOB**
- (71) Applicant: **Schlage Lock Company LLC**, Carmel, IN (US)
- (72) Inventor: **Aida K. N. Watson**, Noblesville, IN (US)
- (73) Assignee: **Schlage Lock Company LLC**, Carmel, IN (US)
- (**) Term: **15 Years**
- (21) Appl. No.: **29/703,801**
- (22) Filed: **Aug. 29, 2019**
- (51) **LOC (12) Cl.** **08-06**
- (52) **U.S. Cl.**
USPC **D8/307**
- (58) **Field of Classification Search**
USPC D8/300, 307, 310; D7/393; D23/250, D23/252, 254
CPC ... Y10T 292/57; Y10T 16/469; Y10T 292/82; Y10T 74/2084; Y10T 292/85; Y10T 16/458; Y10T 16/506; Y10T 70/5155; Y10T 16/46; Y10T 16/4559; Y10T 74/20828; Y10T 70/8541; Y10T 74/20612; Y10T 16/459; Y10T 16/487; Y10T 70/5389; Y10T 16/462; Y10T 16/4636; E05B 1/0007; E05B 3/00; Y10S 16/30; Y10S 292/53; Y10S 292/27
See application file for complete search history.

4,790,208 A * 12/1988 Johnson G05G 1/12 16/441
 5,255,413 A * 10/1993 Sabo A47B 95/02 16/417
 D643,276 S * 8/2011 Roe D8/307
 D649,426 S * 11/2011 Roe D8/307
 D833,249 S * 11/2018 Lowe D8/307
 D833,250 S * 11/2018 Lowe D8/307

OTHER PUBLICATIONS

Eames Lounge Chair and Ottoman, HermanMiller, https://store.hermanmiller.com/living/lounge-chairs-and-ottomans/eames-lounge-chair-and-ottoman/5667.html?lang=en_US&mrkgcl=583&mrkgadid=935038434&rkg_id=0&adpos=1t2&creative=50000960737&device=c&matchtype=e&network=g&gclid=Cj0KCQiA6ozhBRC8ARIsAlh_VC1ADEo1zRnSwKpcps_LTCXyTzeyM8-z3i0logDhWYtRL5U2prC1cOQaAojyEALw_wcB, 2 pages.

* cited by examiner

Primary Examiner — Lauren R Calve
 (74) *Attorney, Agent, or Firm* — Taft Stettinius & Hollister LLP

(57) **CLAIM**

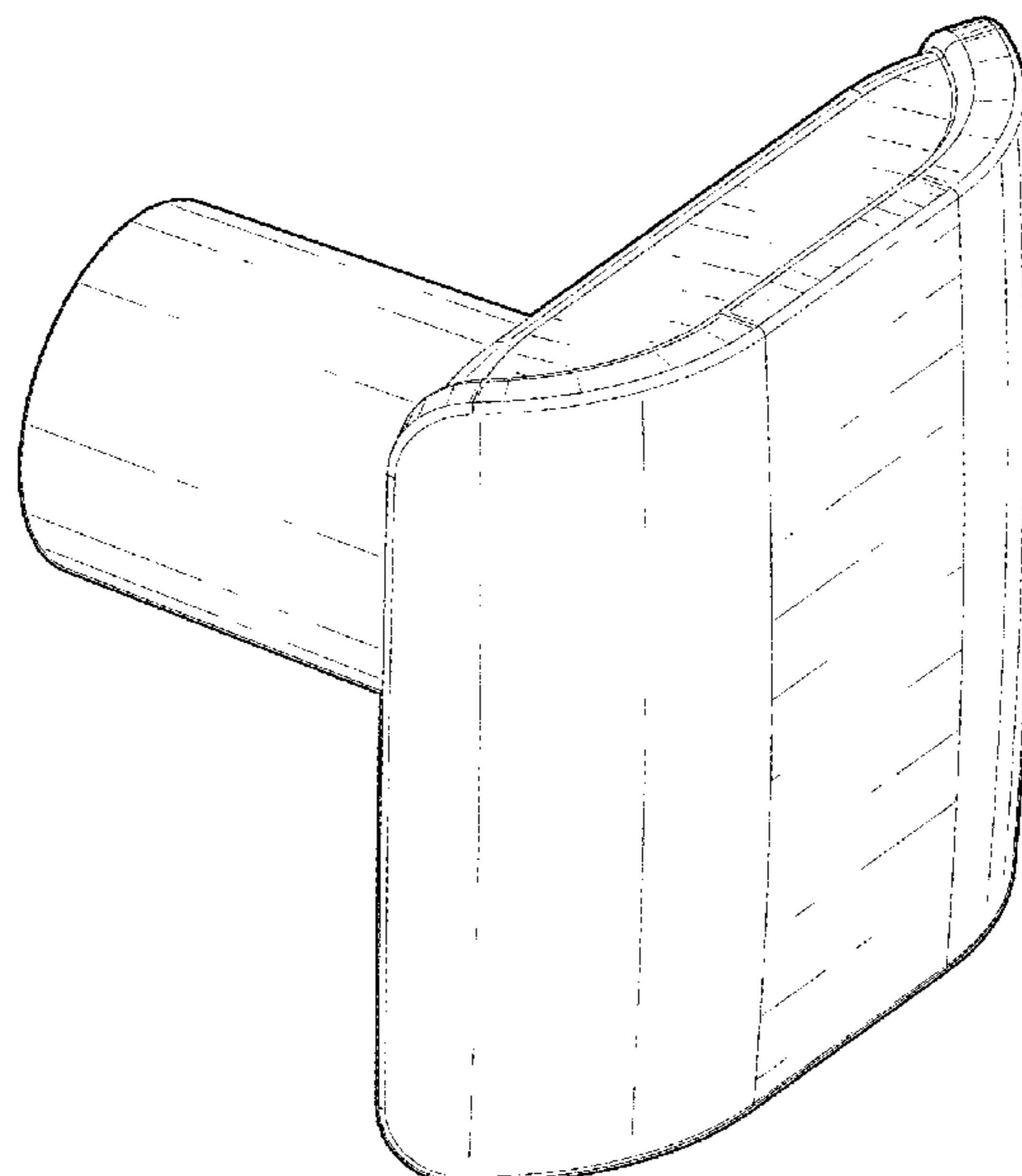
The ornamental design for a knob, as shown and described.

DESCRIPTION

FIG. 1 is a front, left side perspective view of a knob showing my new design;
 FIG. 2 is a rear, right side perspective view thereof;
 FIG. 3 is a front elevational view thereof;
 FIG. 4 is a top plan view thereof;
 FIG. 5 is a bottom plan view thereof; and,
 FIG. 6 is a side elevational view thereof.
 The broken lines in the drawing figures form no part of the claimed design.

1 Claim, 4 Drawing Sheets

- (56) **References Cited**
U.S. PATENT DOCUMENTS
2,679,913 A * 6/1954 Scott E05B 1/0015 403/273
2,796,627 A * 6/1957 Heyer E05B 1/0015 16/417



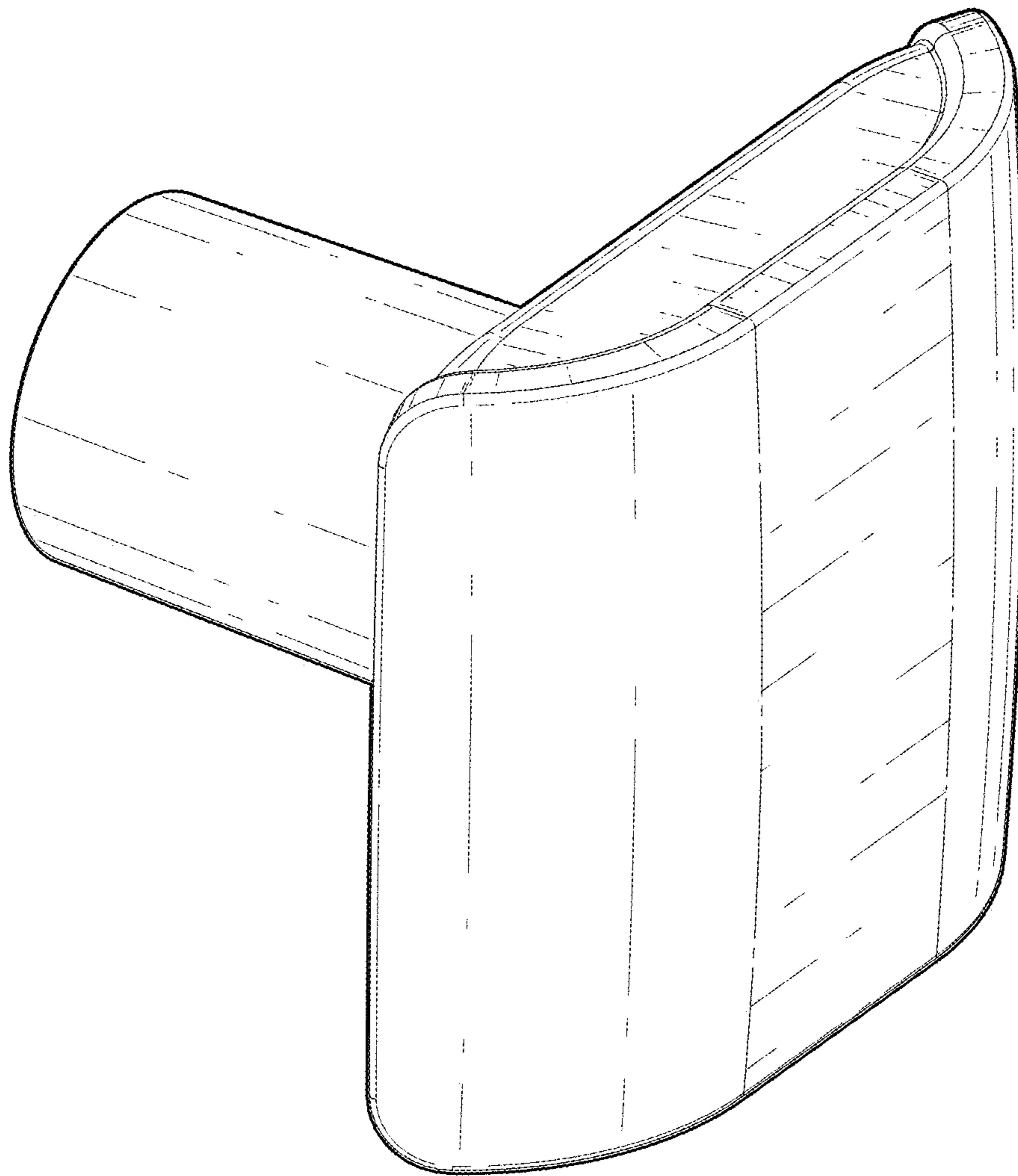


Fig. 1

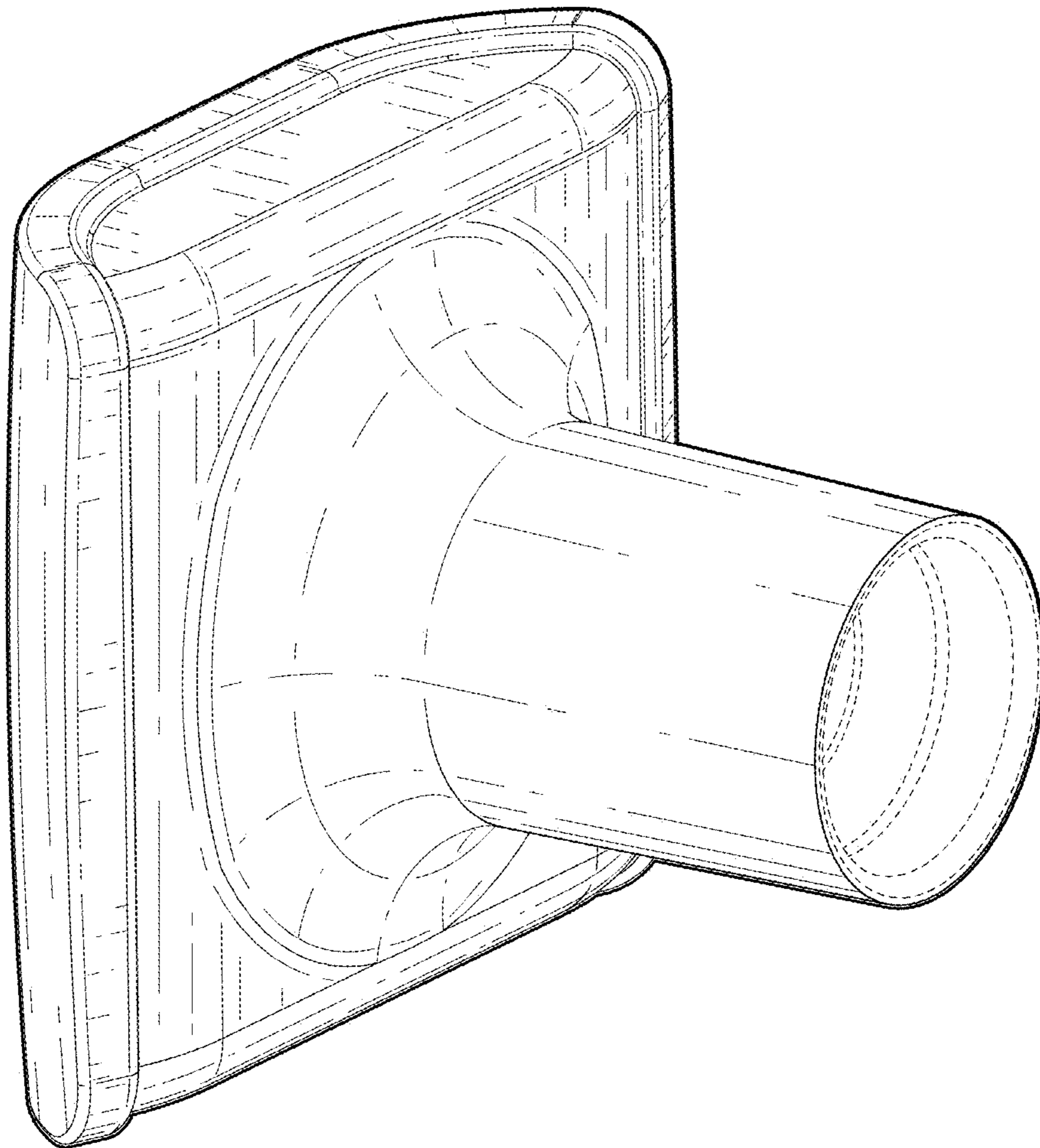


Fig. 2

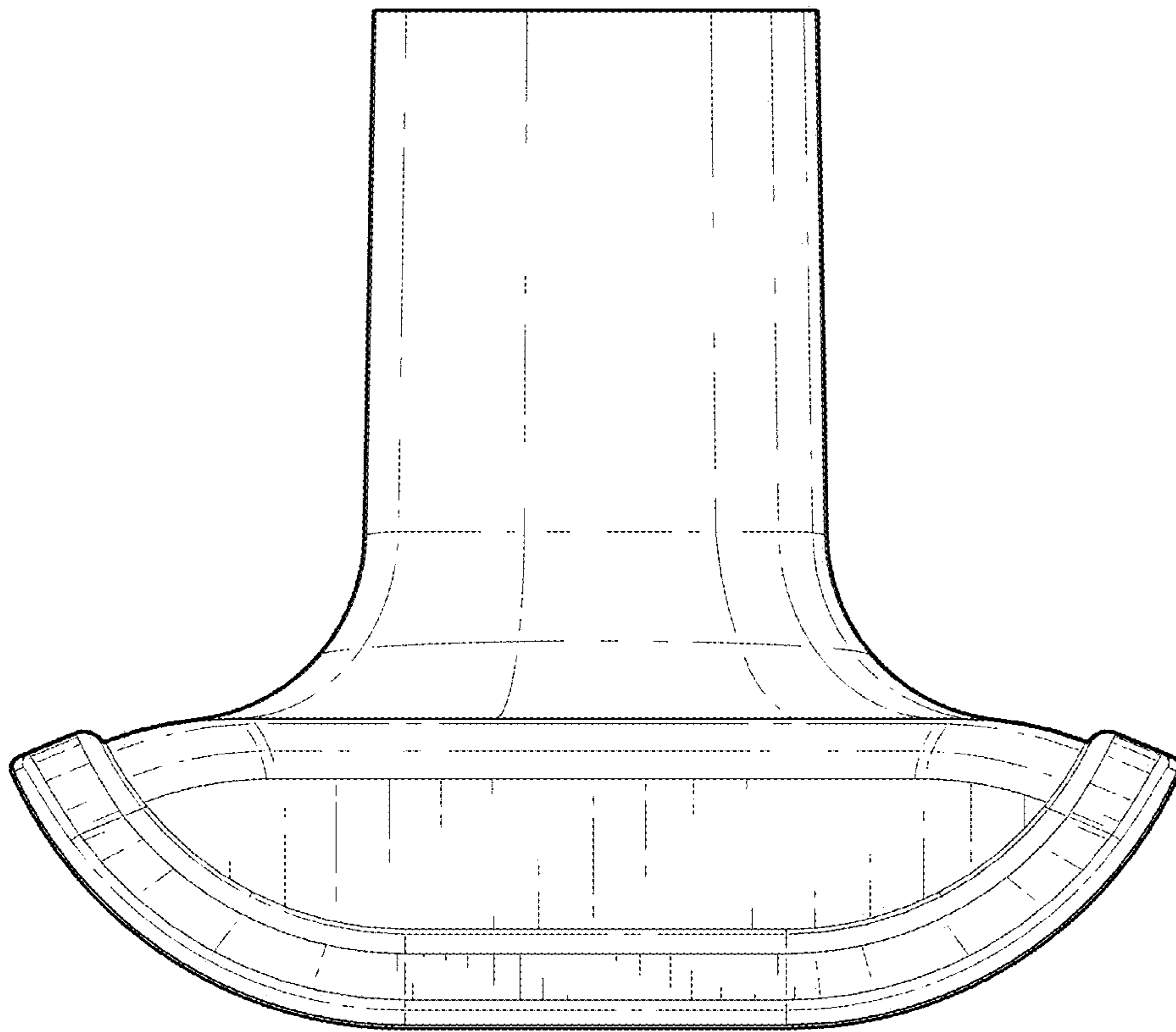


Fig. 4

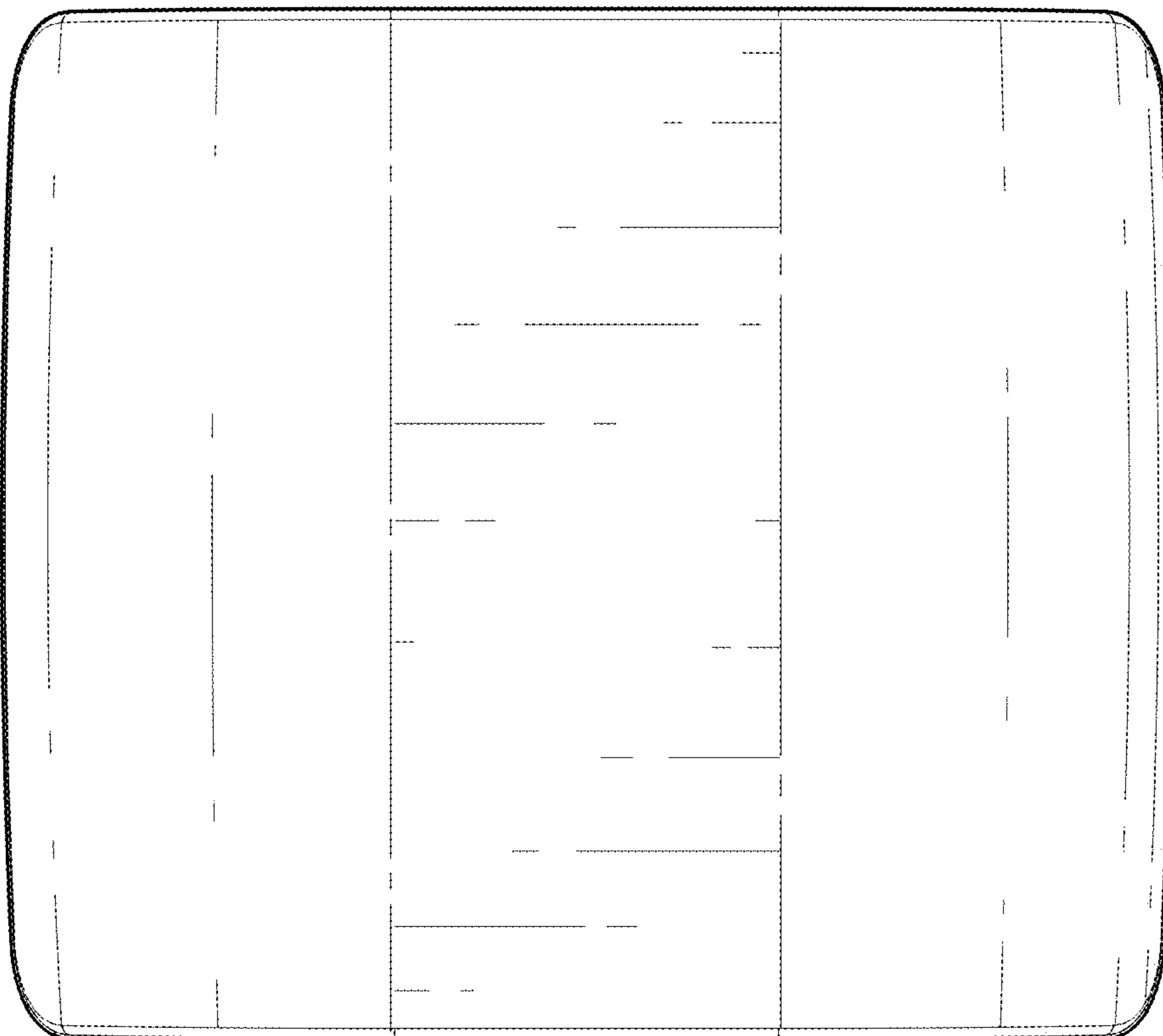


Fig. 3

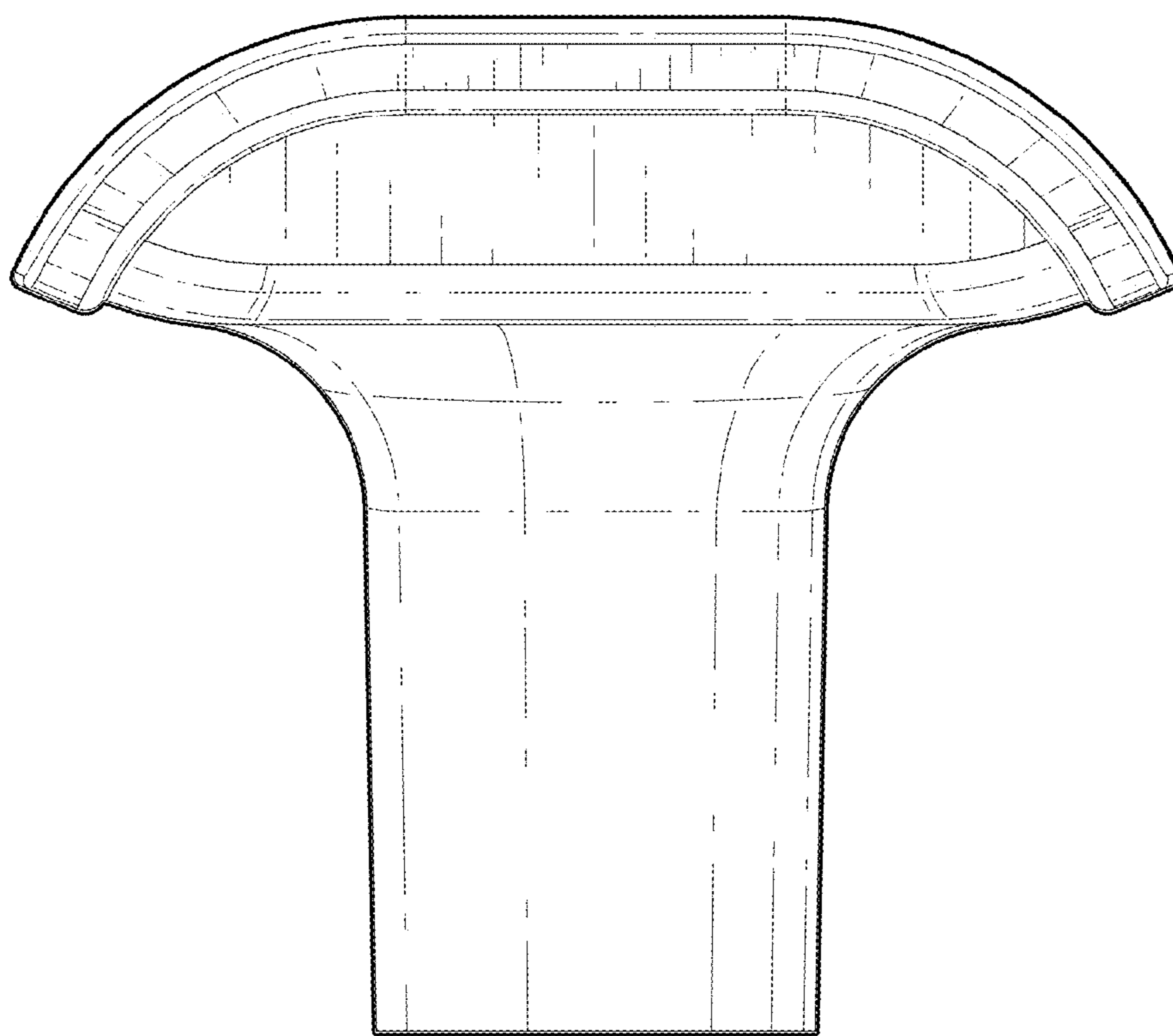


Fig. 5

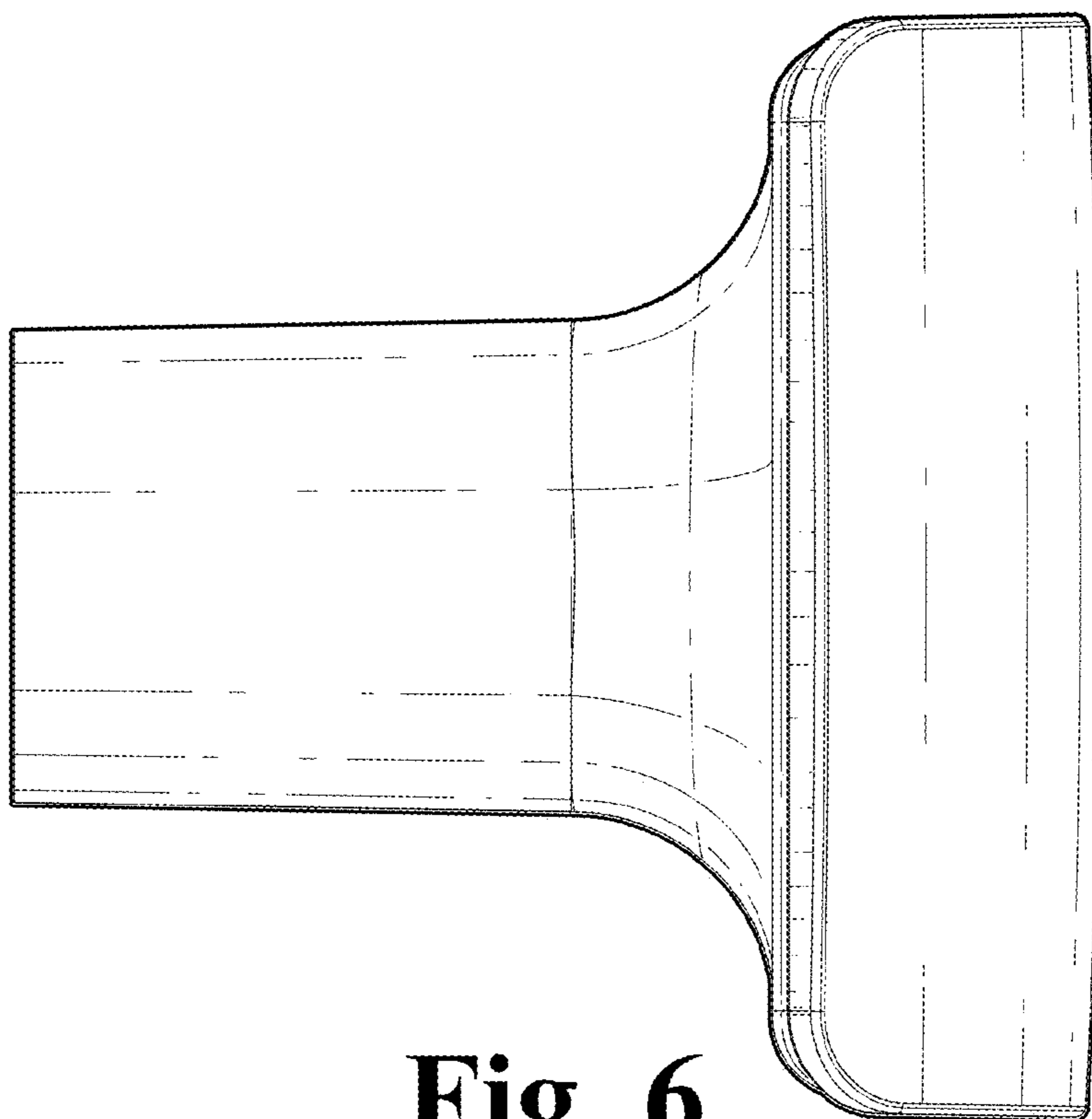


Fig. 6