



US00D903455S

(12) **United States Design Patent**
Halme et al.

(10) **Patent No.:** **US D903,455 S**

(45) **Date of Patent:** **** *Dec. 1, 2020**

- (54) **STONE SPLITTER**
- (71) Applicants: **Jeffrey S Halme**, Bryant, SD (US);
Timothy J Homola, Bryant, SD (US)
- (72) Inventors: **Jeffrey S Halme**, Bryant, SD (US);
Timothy J Homola, Bryant, SD (US)
- (*) Notice: This patent is subject to a terminal disclaimer.
- (**) Term: **15 Years**
- (21) Appl. No.: **29/585,219**
- (22) Filed: **Nov. 22, 2016**
- (51) **LOC (12) Cl.** **08-03**
- (52) **U.S. Cl.**
USPC **D8/71**
- (58) **Field of Classification Search**
USPC D8/71-74, 394-399, 354, 355, 356, 59;
248/62, 63, 72, 74.1, 689, 124.2; 81/487,
81/385, 386, 388-390; 269/3, 4, 6, 143,
269/165, 240, 243, 246-249, 254 R,
269/147-149; 29/256, 257, 276;
D15/140; D24/143; 408/103, 104-109;
D7/683, 685, 686; D6/684
CPC B25B 1/00; B25B 5/00; B25B 1/2478;
B25B 1/103; B25B 1/22; B25B 1/2405;
B25B 1/2457
See application file for complete search history.

- 2,322,707 A * 6/1943 Wetzler B23Q 3/06
24/525
- 2,856,799 A * 10/1958 De Curtis B25H 1/0042
408/103
- 3,040,656 A * 6/1962 Du Waldt B30B 1/24
100/231
- 4,075,302 A * 2/1978 Brady B25B 5/10
118/500
- D281,197 S * 10/1985 Sahota D24/143
- 5,102,270 A * 4/1992 Warren B23Q 3/069
269/45
- D361,774 S * 8/1995 Barry D15/133
- D456,510 S * 4/2002 Spetzler D24/143
- 7,090,446 B2 * 8/2006 Chen B28D 1/143
408/103
- D776,176 S * 1/2017 Galomb D15/135
- D778,135 S * 2/2017 Blank D8/72

* cited by examiner

Primary Examiner — Nathan M Johnston
(74) *Attorney, Agent, or Firm* — Jeffrey A. Proehl;
Woods, Fuller, Shultz & Smith, PC

(57) **CLAIM**

The ornamental design for a stone splitter, as shown and described.

DESCRIPTION

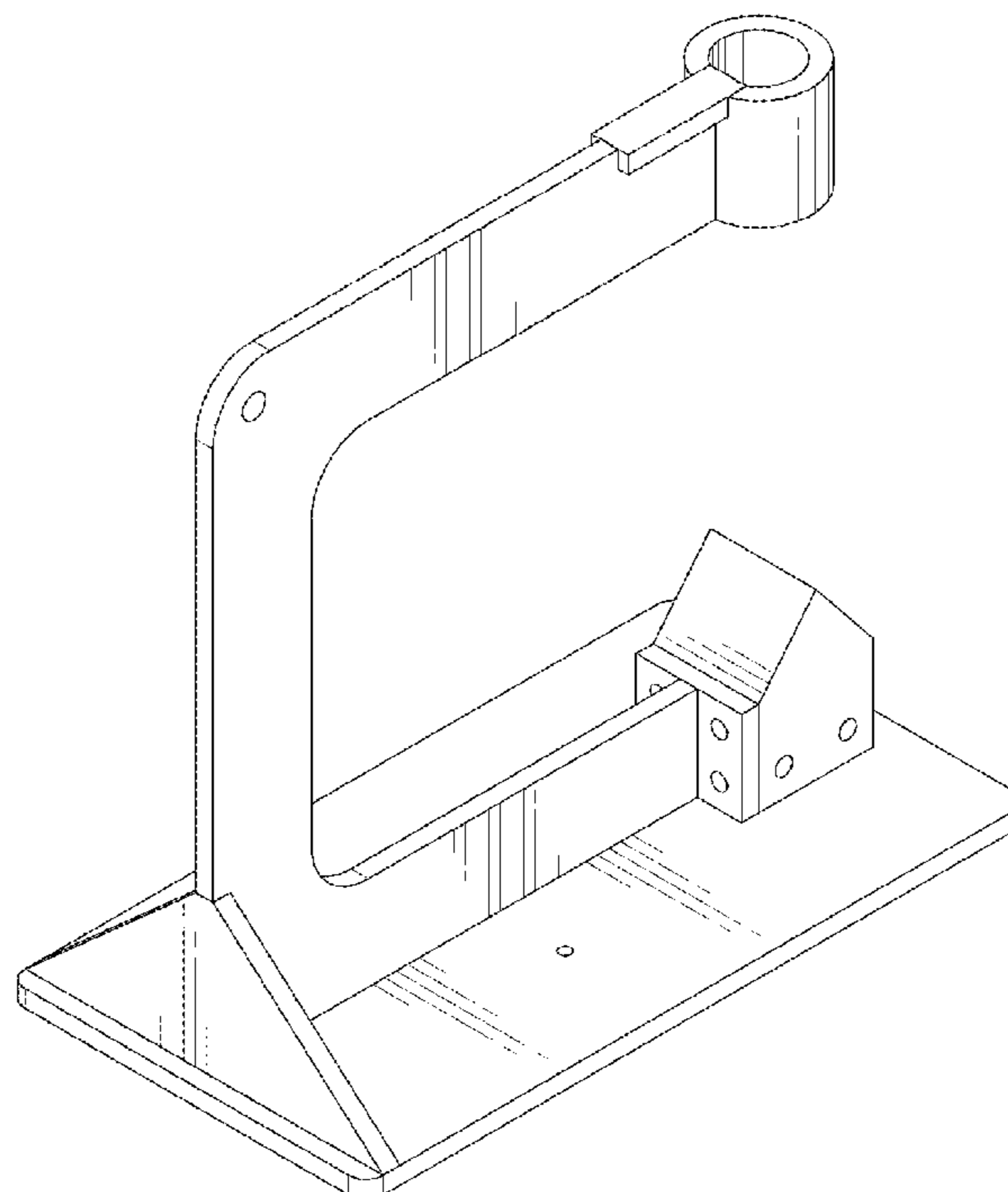
FIG. 1 is a right side elevation view of the stone splitter showing the new design;
FIG. 2 is a left side elevation view thereof;
FIG. 3 is a top plan view thereof;
FIG. 4 is a rear elevation view thereof;
FIG. 5 is a front elevation view thereof; and,
FIG. 6 is a perspective view thereof.

1 Claim, 3 Drawing Sheets

(56) **References Cited**

U.S. PATENT DOCUMENTS

- D109,902 S * 5/1938 Cleef D8/72
- D117,777 S * 11/1939 Ayres D15/132



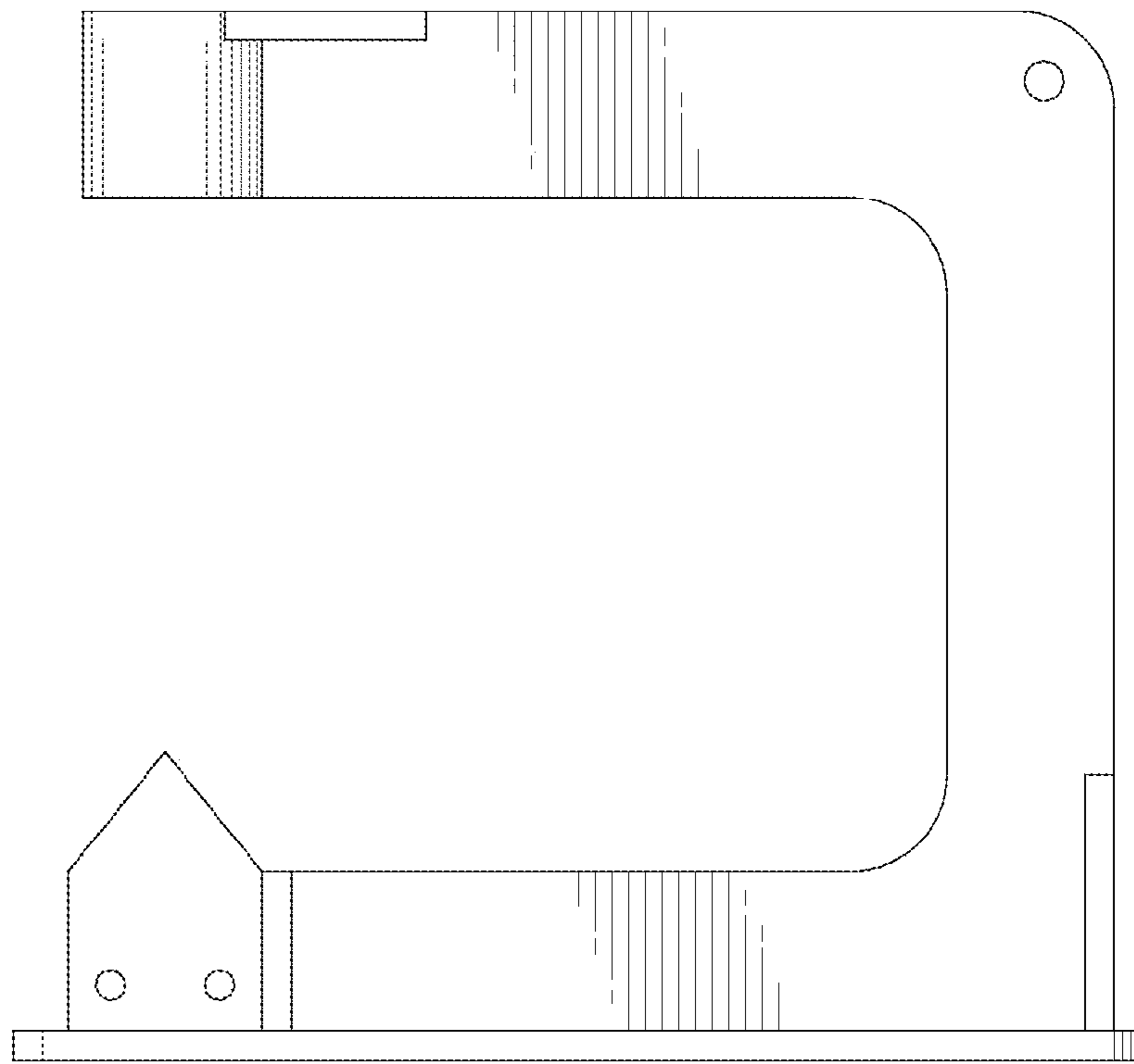


Fig. 1

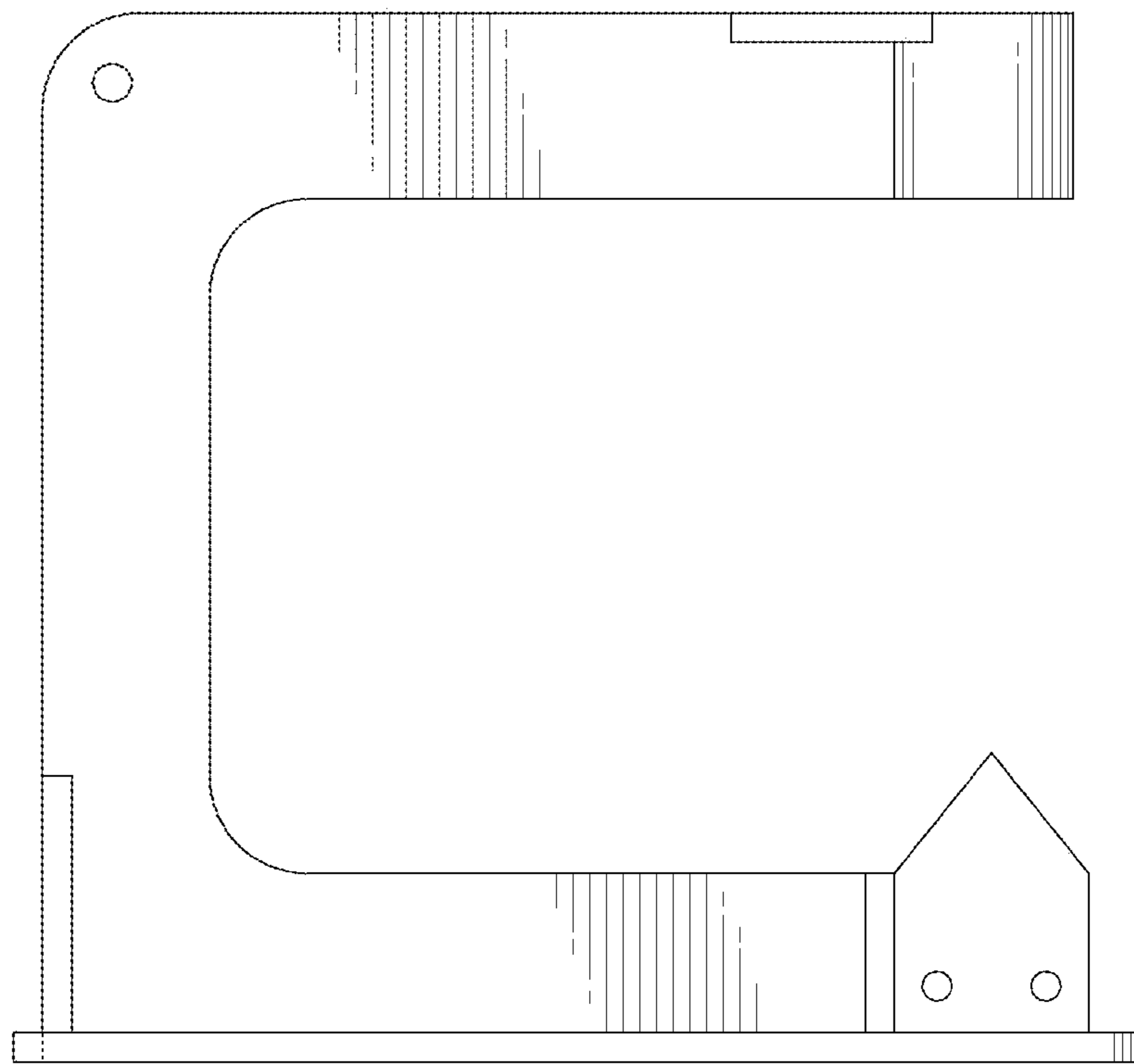


Fig. 2

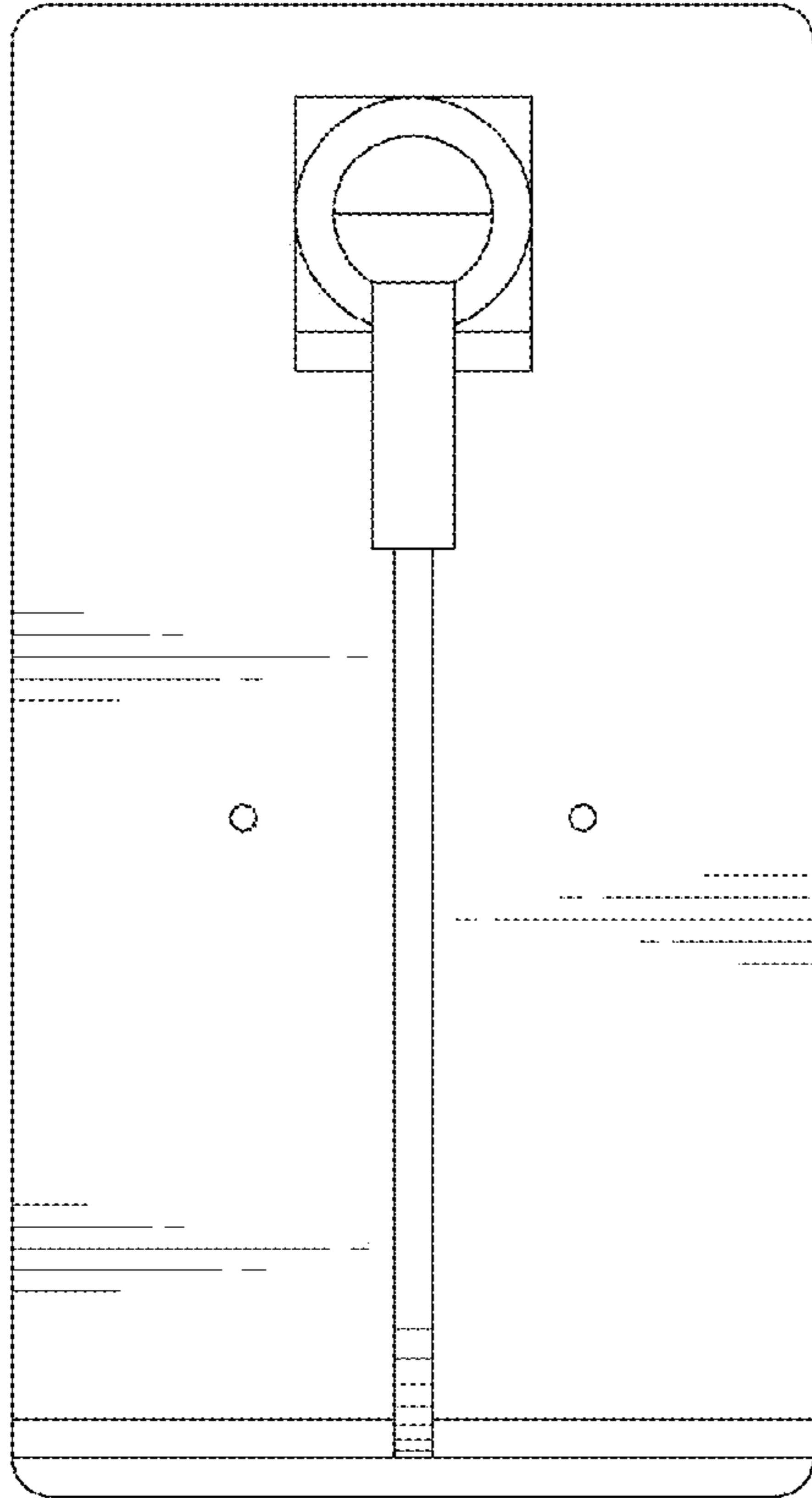


Fig. 3

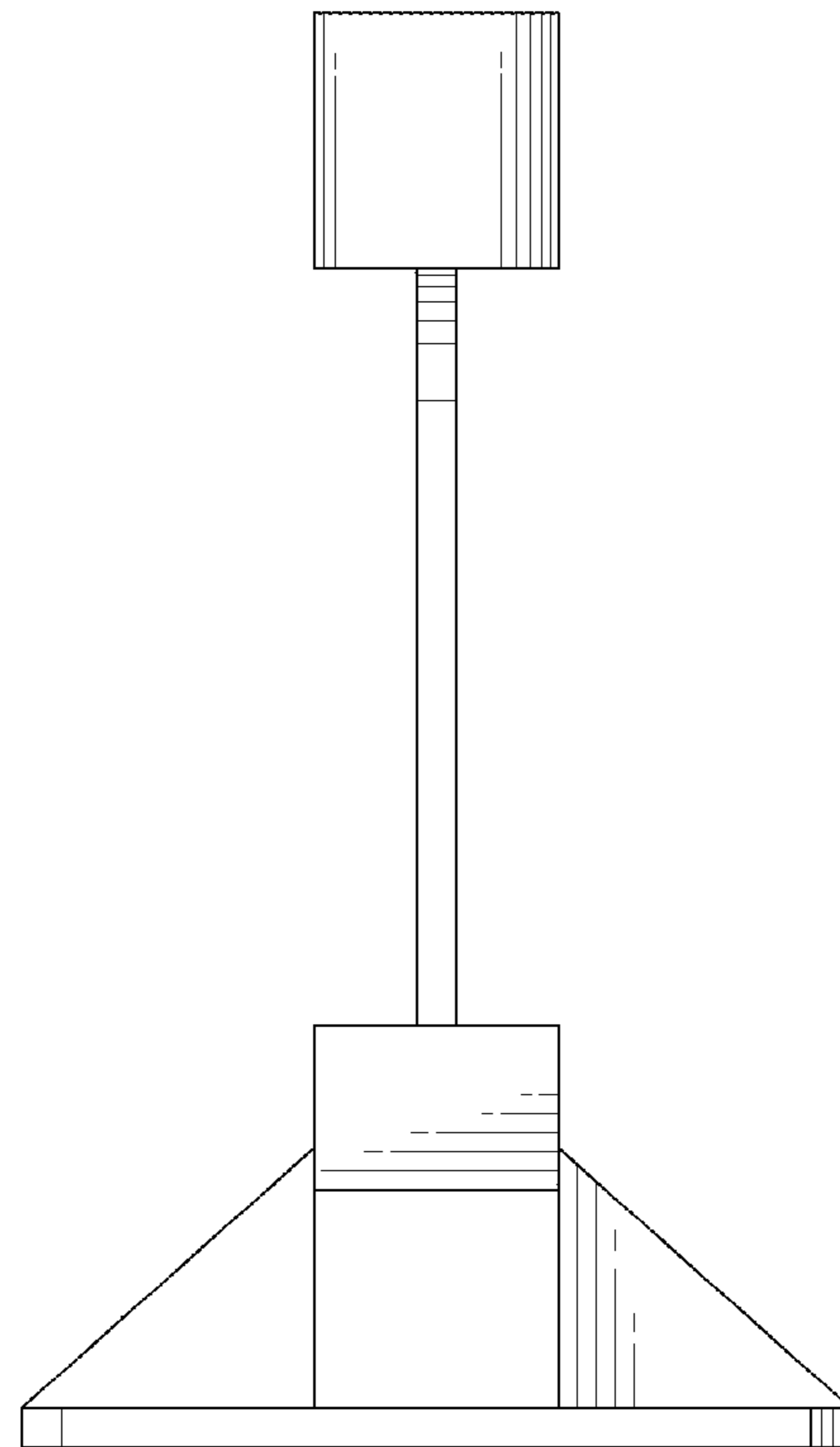


Fig. 4

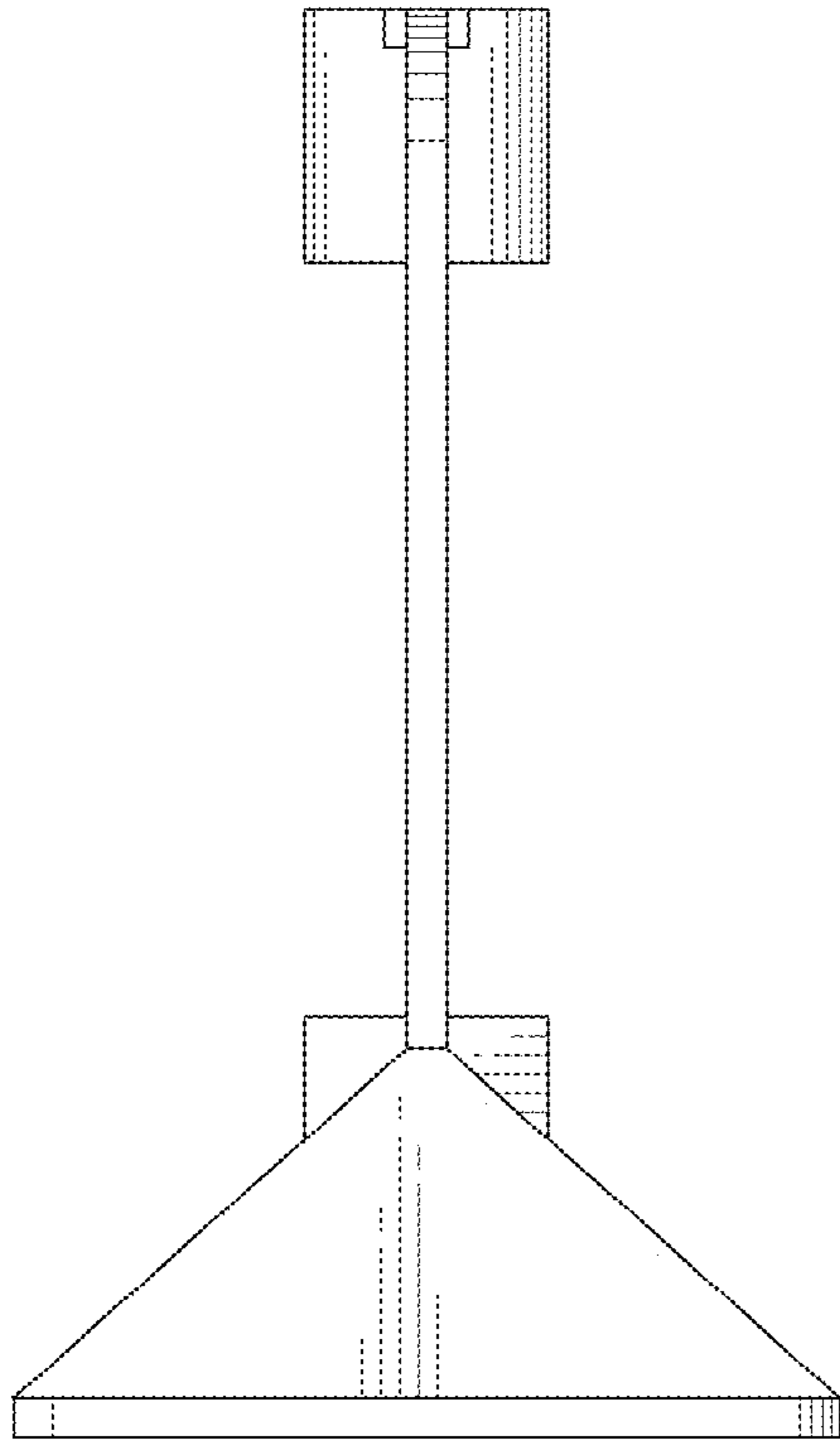


Fig. 5

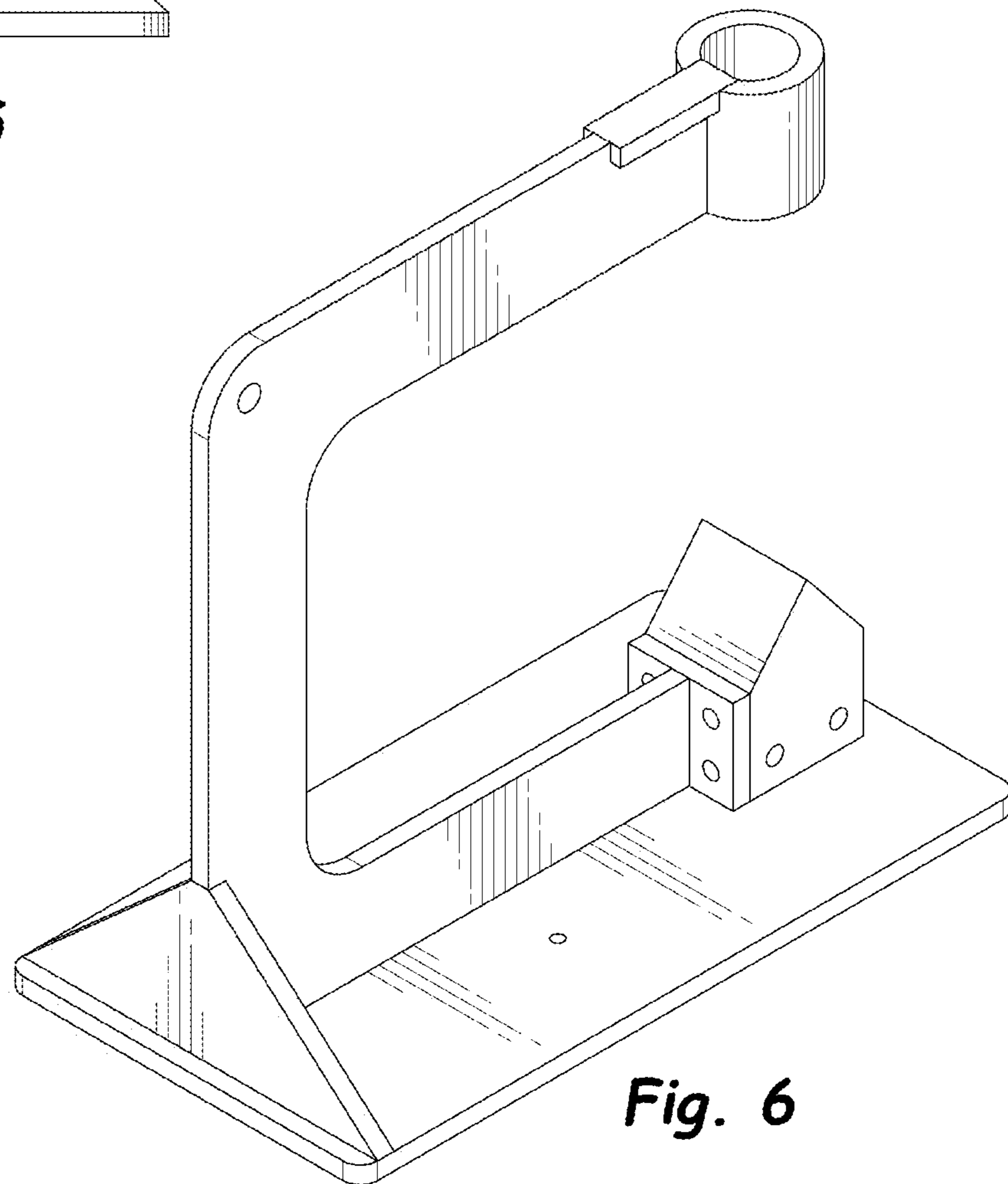


Fig. 6