



US00D903453S

(12) **United States Design Patent** (10) **Patent No.:** **US D903,453 S**
Calloway et al. (45) **Date of Patent:** **** Dec. 1, 2020**

(54) **TOOL ATTACHMENT**
(71) Applicants: **Bryant Calloway**, Swansea, IL (US);
Gillian Calloway, Swansea, IL (US)
(72) Inventors: **Bryant Calloway**, Swansea, IL (US);
Gillian Calloway, Swansea, IL (US)
(**) Term: **15 Years**
(21) Appl. No.: **29/689,725**
(22) Filed: **May 1, 2019**
(51) **LOC (12) Cl.** **08-05**
(52) **U.S. Cl.**
USPC **D8/70; D25/199**
(58) **Field of Classification Search**
USPC D3/24; D6/300, 323, 325, 513; D8/1, 2,
D8/8, 9, 14, 16, 19, 24, 25, 30, 44, 70,
D8/70.1, 323, 325, 349, 352, 354, 356,
D8/360.1, 367, 382, 384, 499; D14/484;
D15/66, 72, 78, 139; D25/121, 199
CPC B25F 5/00; H01R 13/426; H01R 13/74;
H01R 2101/00; E04B 2/721; E04B
2002/0243; E04B 2002/7461; E04B 1/40;
E04B 2001/405; E04F 13/25
See application file for complete search history.

7,659,468 B1 * 2/2010 Gottlieb G10G 5/00
84/327
D626,404 S * 11/2010 Koehn D8/373
D643,703 S * 8/2011 Koehn D8/367
D643,708 S * 8/2011 Hecht D8/394
D675,511 S * 2/2013 Gary D8/395
8,720,756 B2 * 5/2014 Parsons A45F 5/00
224/269
D714,487 S * 9/2014 Hartman D26/120
8,863,622 B1 10/2014 Kingsberry
D730,142 S * 5/2015 Shapiro D8/72
9,526,317 B2 * 12/2016 Willows B65D 1/0246
D803,552 S * 11/2017 Stoops D3/218
10,281,083 B2 * 5/2019 Bacallao F16M 13/02
D853,224 S * 7/2019 Bacallao D8/373
D853,797 S * 7/2019 Renner D7/622
D858,897 S * 9/2019 Cress D29/130
D884,929 S * 5/2020 Prado D25/199

(Continued)

Primary Examiner — Darlington Ly
(74) *Attorney, Agent, or Firm* — Boudwin Intellectual
Property; Daniel Boudwin

(57) **CLAIM**

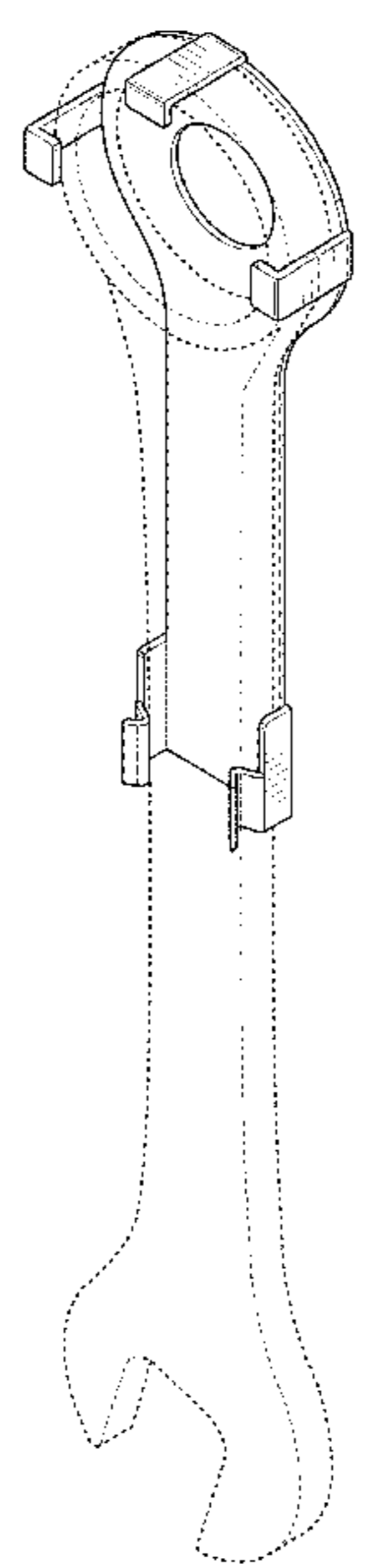
The ornamental design for a tool attachment, as shown and described.

DESCRIPTION

FIG. 1 is a perspective view of the tool attachment showing our new design attached to an environmental tool wrench; FIG. 2 is a perspective view of the tool attachment; FIG. 3 is a bottom plan view thereof; FIG. 4 is a top plan view thereof; FIG. 5 is a right side elevation view thereof; FIG. 6 is a left side elevation view thereof; FIG. 7 is a rear elevation view thereof; and, FIG. 8 is a front elevation view thereof. The broken line showing the wrench tool is provided for the purpose of illustrating environmental structure and forms no part of the claimed design.

1 Claim, 4 Drawing Sheets

(56) **References Cited**
U.S. PATENT DOCUMENTS
4,084,778 A * 4/1978 Dominguez G10G 5/00
248/300
D283,032 S * 3/1986 Quesnel D17/20
D345,465 S * 3/1994 Greig D3/215
D423,774 S * 5/2000 Peterson D3/229
D444,706 S * 7/2001 Giancaspro D3/229
6,810,774 B2 11/2004 Hsien
6,865,971 B2 3/2005 Ernesti
6,955,105 B2 10/2005 Chen
7,162,938 B1 1/2007 Peters



(56)

References Cited

U.S. PATENT DOCUMENTS

D888,411 S * 6/2020 Roh D3/215
2011/0146462 A1 6/2011 Watts et al.

* cited by examiner

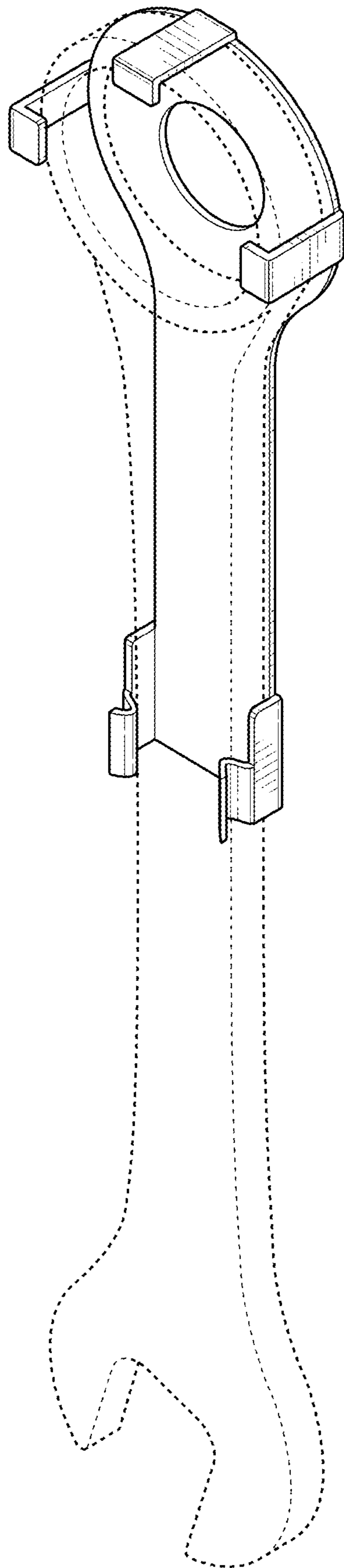


FIG. 1

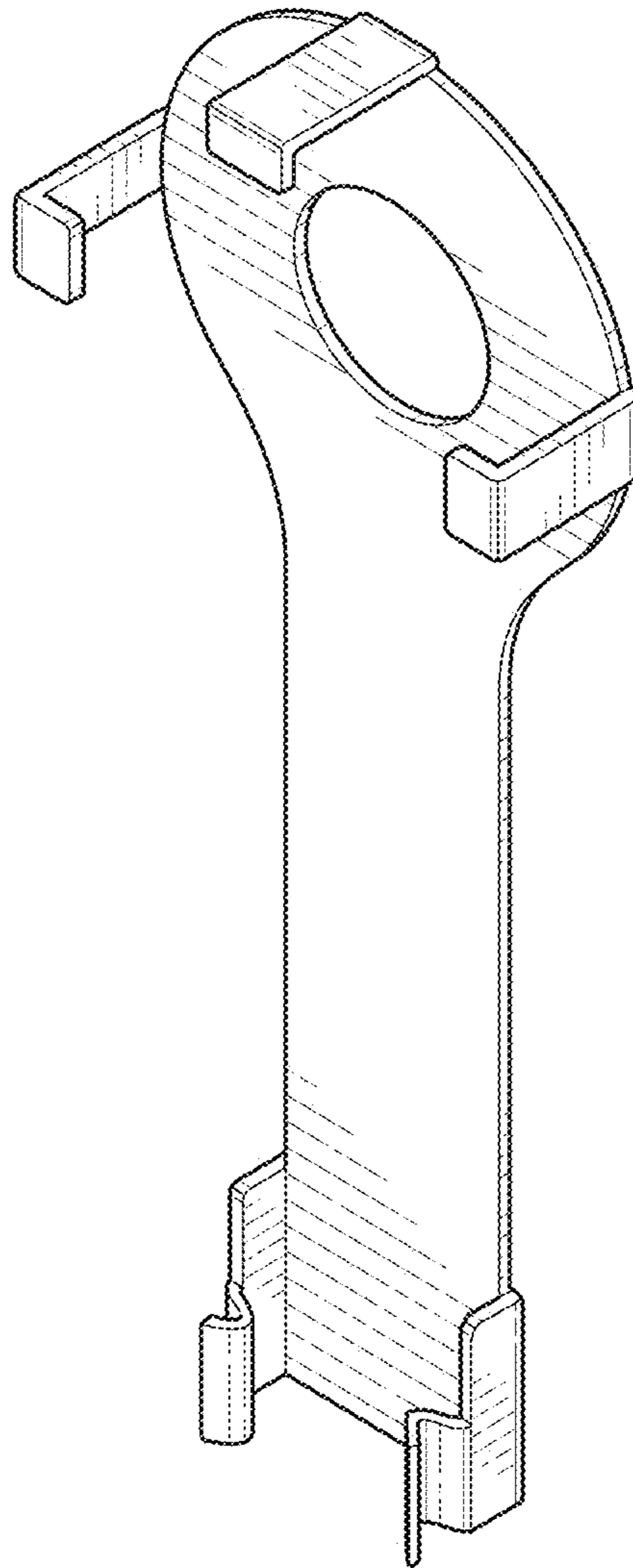


FIG. 2

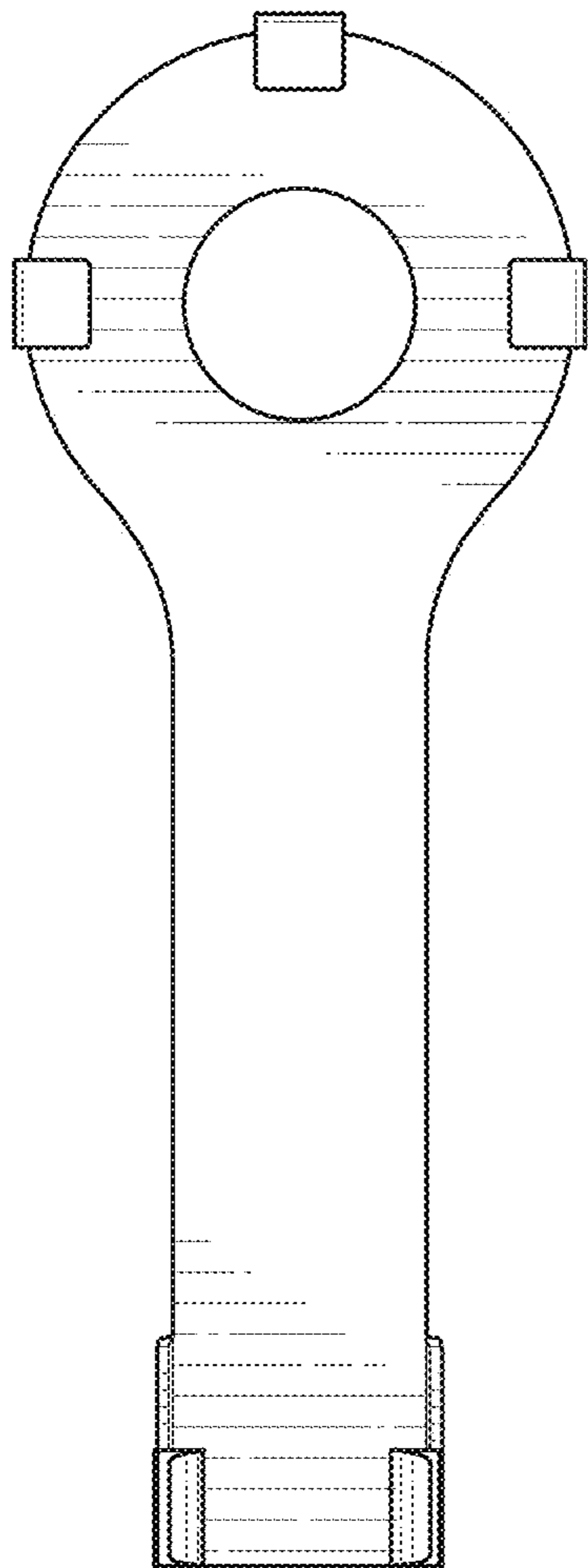


FIG. 3

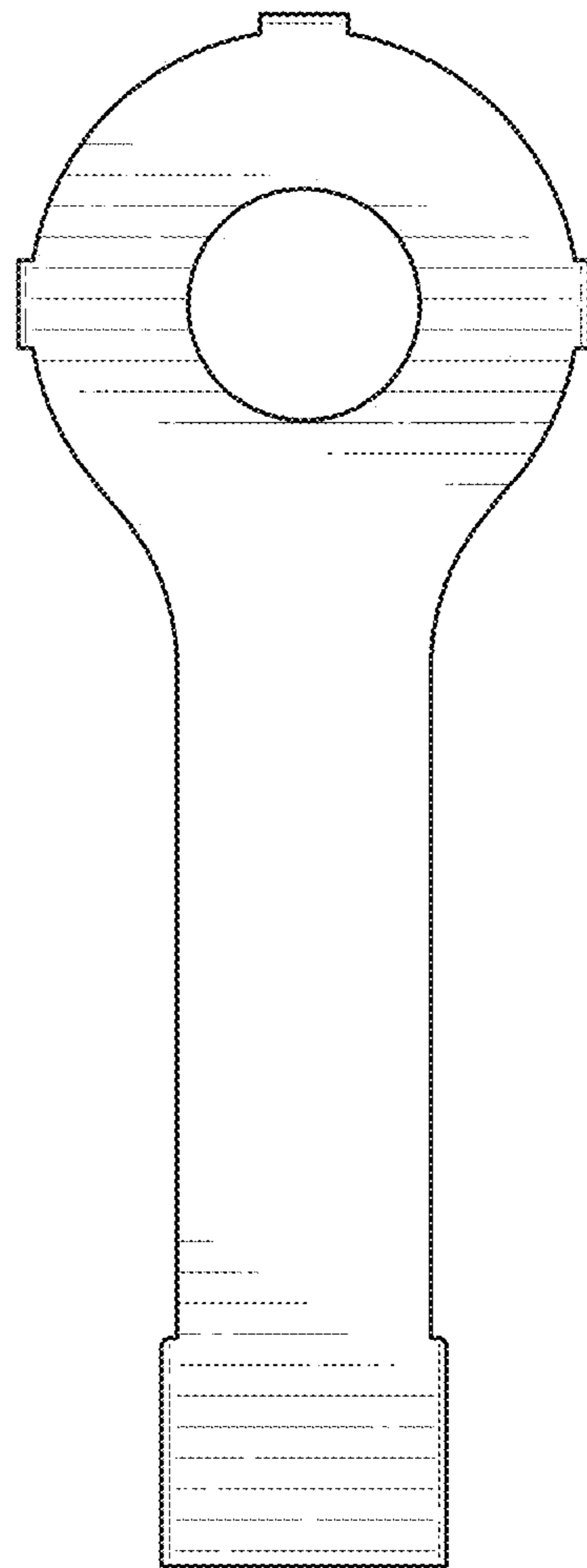


FIG. 4

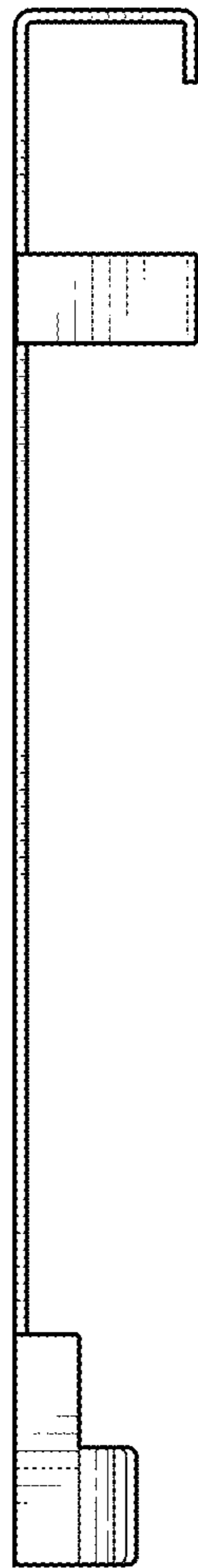


FIG. 5



FIG. 6

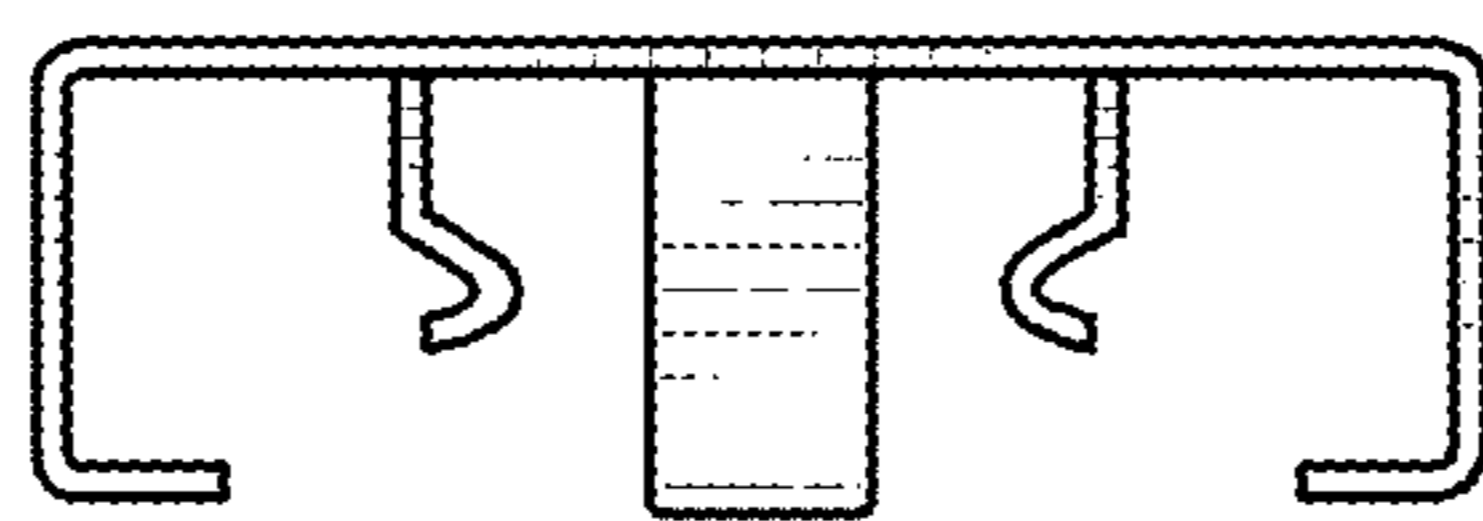


FIG. 7

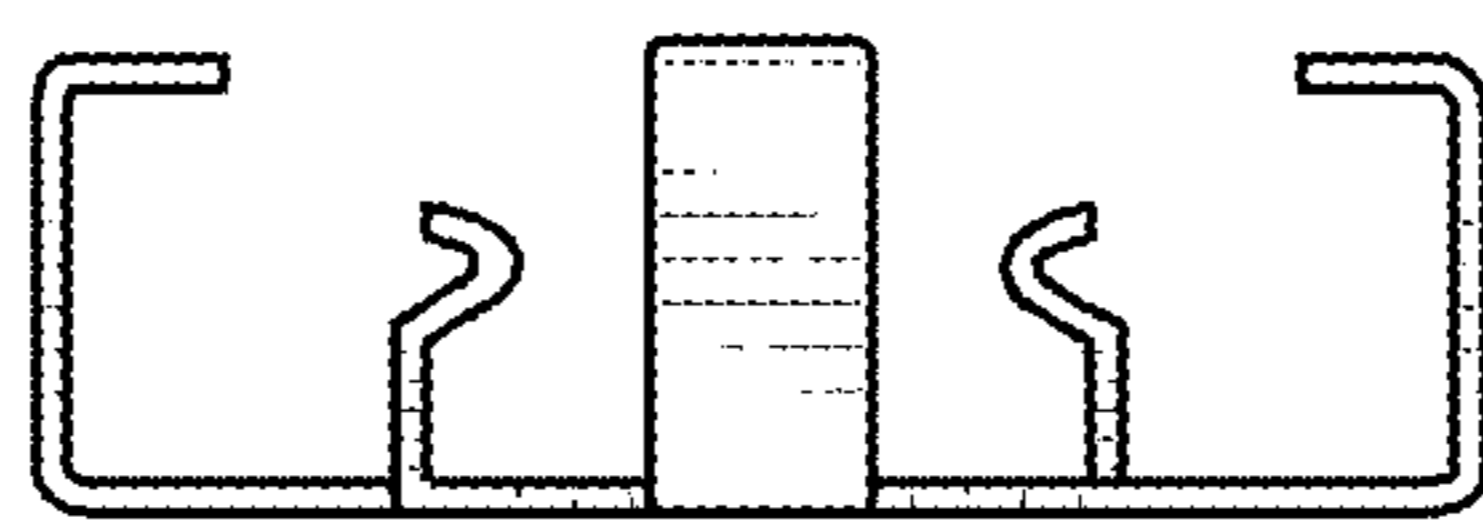


FIG. 8