



US00D903450S

(12) **United States Design Patent** (10) **Patent No.:** **US D903,450 S**
Arvinte et al. (45) **Date of Patent:** **** Dec. 1, 2020**

(54) **SURFACE PREPARATION BLADE FOR A PAINTING-TOOL**

(71) Applicants: **Romeo Arvinte**, Laval (CA); **Richard M. Farland**, Fiskdale, MA (US); **Corey Talbot**, Hebron, CT (US); **Christian Michaud**, St-Ignande-de-Loyola (CA)

(72) Inventors: **Romeo Arvinte**, Laval (CA); **Richard M. Farland**, Fiskdale, MA (US); **Corey Talbot**, Hebron, CT (US); **Christian Michaud**, St-Ignande-de-Loyola (CA)

(73) Assignee: **HYDE TOOLS, INC.**, Southbridge, MA (US)

(**) Term: **15 Years**

(21) Appl. No.: **29/689,948**

(22) Filed: **May 3, 2019**

(51) **LOC (12) Cl.** **08-05**

(52) **U.S. Cl.**
USPC **D8/45; D8/18**

(58) **Field of Classification Search**
USPC D8/14, 16, 45, 105; D32/46
CPC B25F 1/00; B25F 1/04; B25F 1/006; B25B 15/00; B25B 15/02
See application file for complete search history.

(56) **References Cited**

U.S. PATENT DOCUMENTS

5,251,352	A *	10/1993	Cullison	B25F 1/04 30/169
D405,668	S *	2/1999	Henke	D8/105
6,009,581	A *	1/2000	Davis	B25B 13/00 7/105
6,131,222	A *	10/2000	Anderson	B25F 1/003 7/105
D435,408	S *	12/2000	Panfili	D8/105

6,327,728	B1 *	12/2001	Hart	B25F 1/00 7/105
D475,825	S *	6/2003	Ribezzo	D32/49
D516,394	S *	3/2006	Chen	D8/16
D520,827	S *	5/2006	Denton	D8/45
D562,517	S *	2/2008	Henke	D32/46
D581,764	S *	12/2008	Kinskey	D8/105
D609,992	S *	2/2010	Delaney	D8/105
D691,773	S *	10/2013	Chen	D32/46
D693,077	S *	11/2013	Thompson	D32/46
D730,706	S *	6/2015	Farland	D8/45
D756,735	S *	5/2016	Farland	D8/45
D784,100	S *	4/2017	Montgomery	D8/45

(Continued)

Primary Examiner — Philip S Hyder

(74) *Attorney, Agent, or Firm* — Louis J. Franco; Law Office of Louis J. Franco

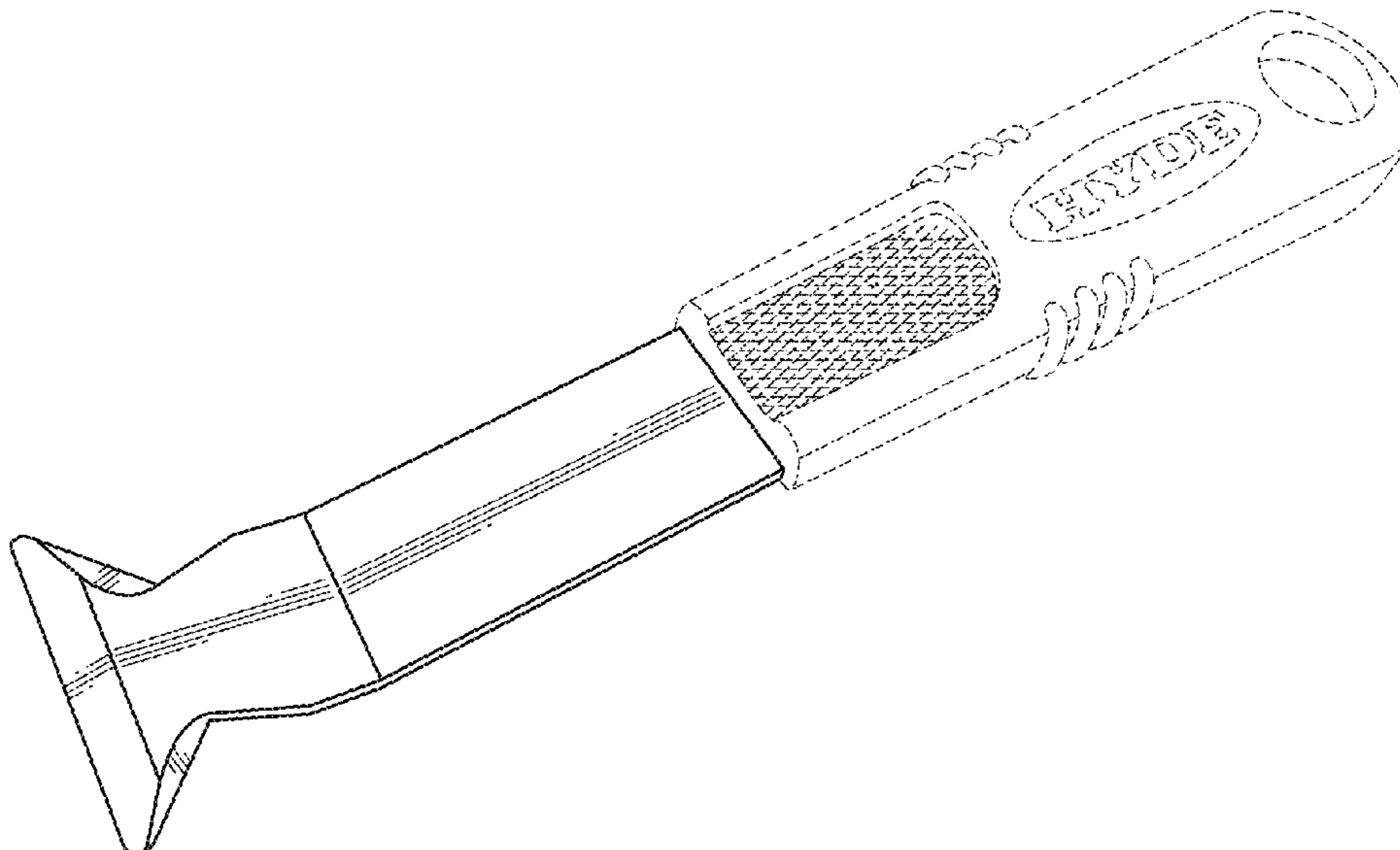
(57) **CLAIM**

The ornamental design for a surface preparation blade for a painting-tool, as shown and described.

DESCRIPTION

FIG. 1 is a perspective view of a surface preparation blade for a painting-tool, showing our new design;
 FIG. 2 is a top elevation view of the surface preparation blade for a painting-tool of FIG. 1;
 FIG. 3 is a bottom elevation view of the surface preparation blade for a painting-tool of FIG. 1;
 FIG. 4 is a right side elevation view of the surface preparation blade for a painting-tool of FIG. 1;
 FIG. 5 is a left side elevation view of the surface preparation blade for a painting-tool of FIG. 1;
 FIG. 6 is a rear end view of the surface preparation blade for a painting-tool of FIG. 1; and,
 FIG. 7 is a front end view of the surface preparation blade for a painting-tool of FIG. 1.
 The broken line showings of the handle are provided for purposes of environment and form no part of the claimed design.

1 Claim, 5 Drawing Sheets



(56)

References Cited

U.S. PATENT DOCUMENTS

9,919,435 B1 * 3/2018 Enguita B26B 5/006
D885,152 S * 5/2020 Chavez D8/19
2008/0178393 A1 * 7/2008 Kinsky B25F 1/02
7/105
2011/0138540 A1 * 6/2011 Kinsky B44D 3/162
7/105
2016/0096670 A1 * 4/2016 Farland B65D 55/0854
206/349
2017/0225314 A1 * 8/2017 Levand B25G 1/08

* cited by examiner

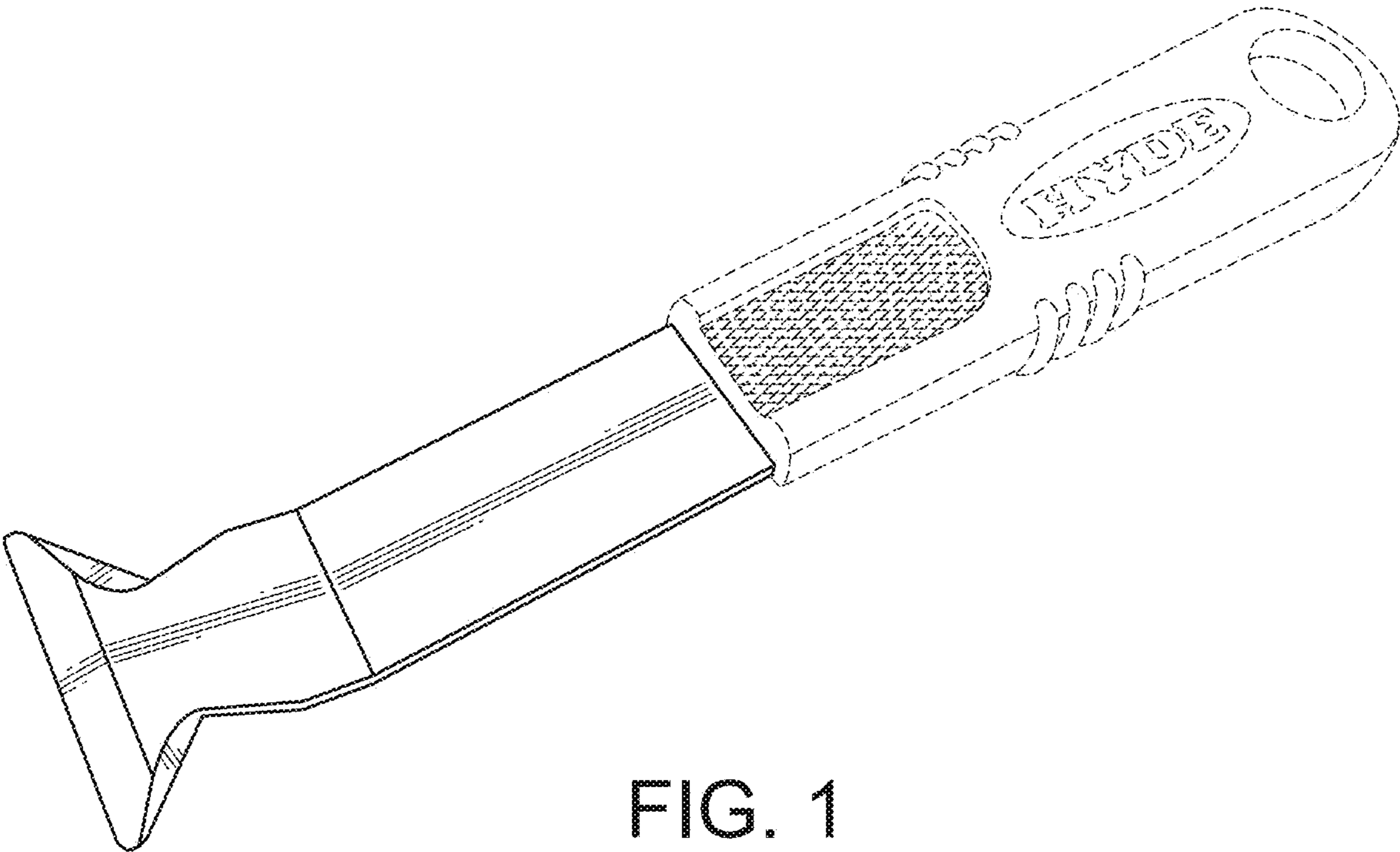


FIG. 1

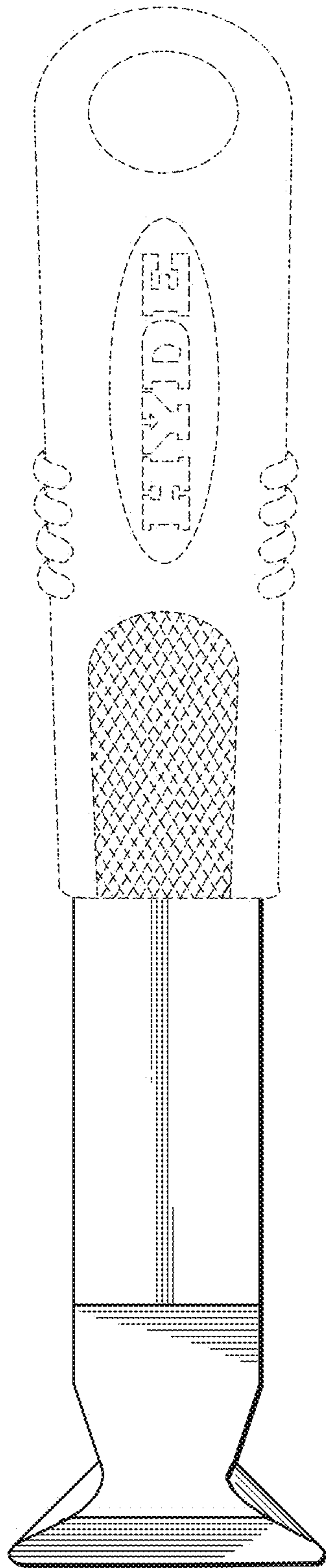


FIG. 2

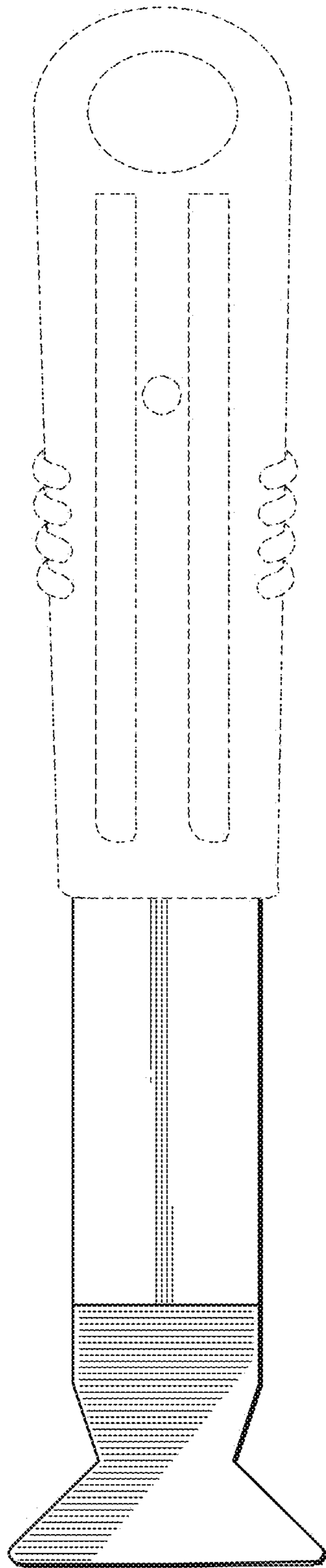


FIG. 3

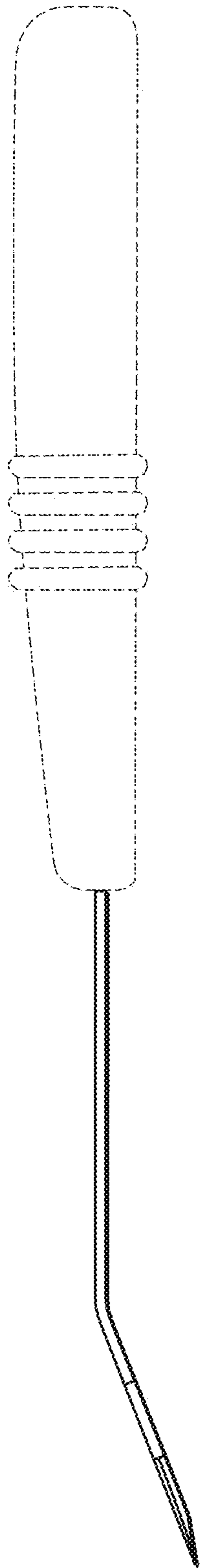


FIG. 4

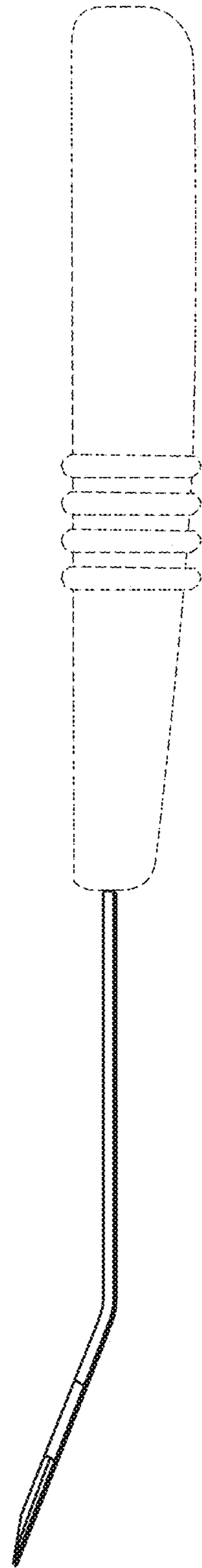


FIG. 5

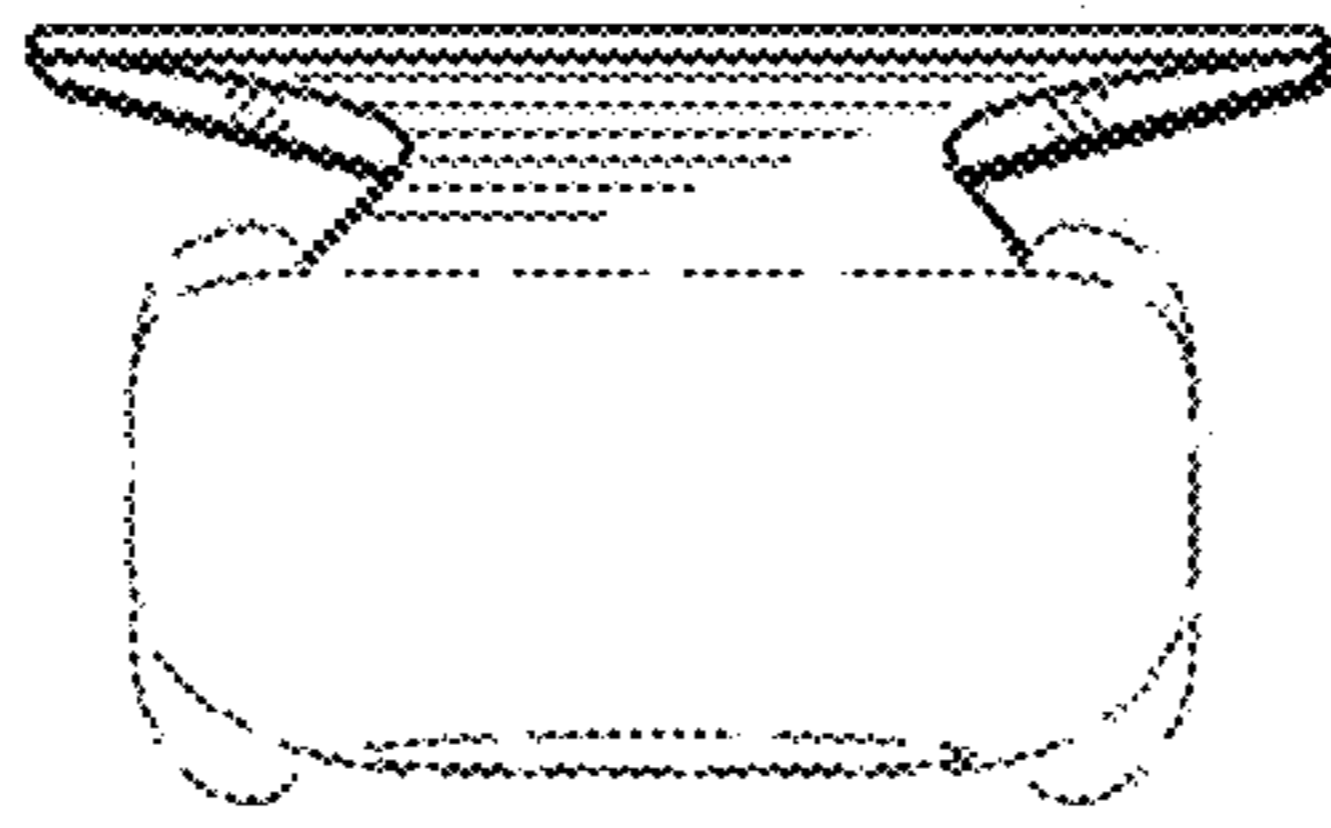


FIG. 6

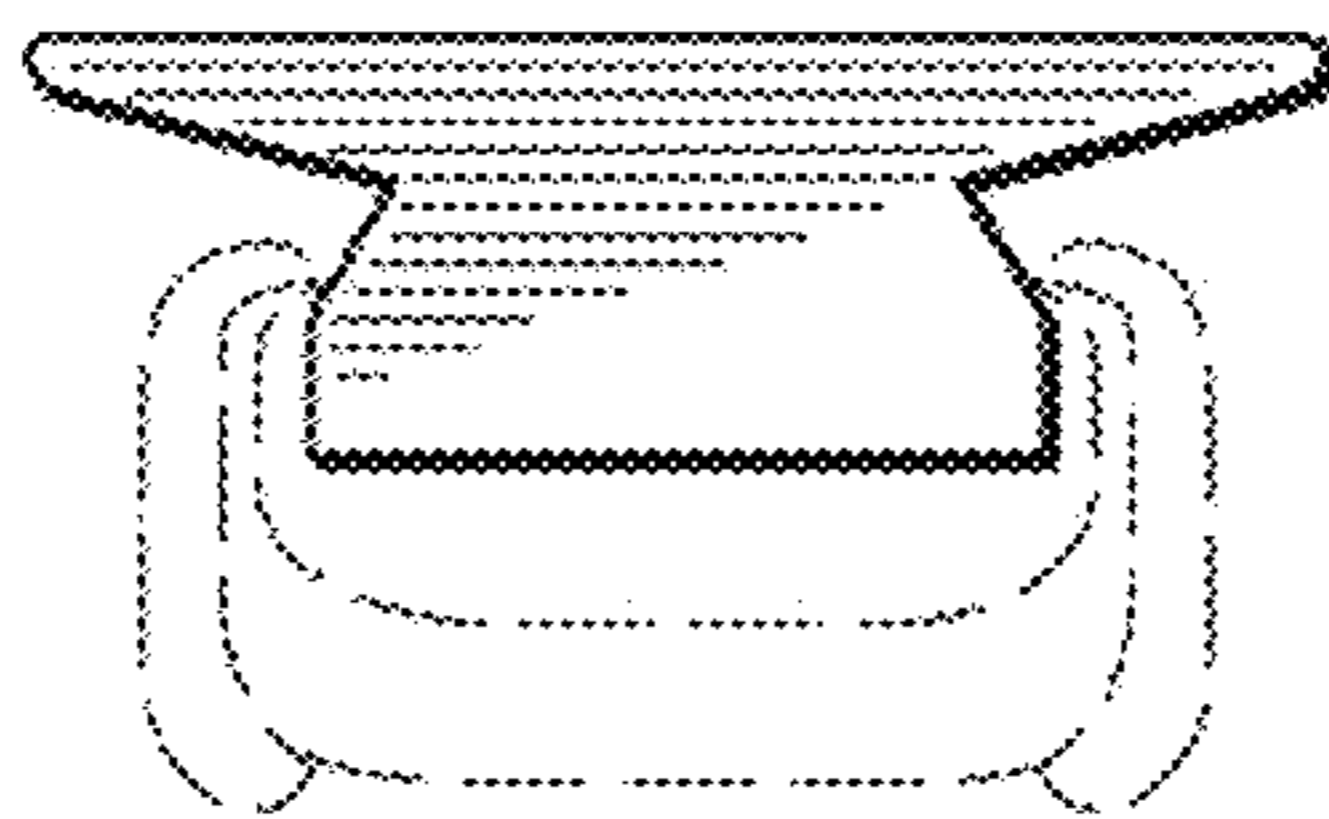


FIG. 7