



US00D903447S

(12) **United States Design Patent** (10) **Patent No.:** **US D903,447 S**
Serret (45) **Date of Patent:** **** Dec. 1, 2020**

(54) **PROGRESSIVE TOOTH WRENCH**

FOREIGN PATENT DOCUMENTS

(71) Applicant: **Raymond Serret**, Pleasantville, NY
(US)

CN 300860912 * 11/2007
CN 301512295 * 9/2010
CN 303449659 * 7/2015
CN 304598622 * 11/2017
CN 305817087 * 10/2019

(72) Inventor: **Raymond Serret**, Pleasantville, NY
(US)

(Continued)

(**) Term: **15 Years**

OTHER PUBLICATIONS

(21) Appl. No.: **29/703,382**

SP Mark, Spanner Nut Wrench Survival Nut Wrench for Locknut Removal Unscrew and Reinstall, Date first available Jun. 2, 2020, [online]retrieved Oct. 5, 2020, available from internet, www.amazon.com (Year: 2020).*

(22) Filed: **Aug. 27, 2019**

(Continued)

(51) **LOC (12) Cl.** **08-05**

(52) **U.S. Cl.**

USPC **D8/17; D8/21**

(58) **Field of Classification Search**

USPC D8/14, 16-19, 21-29, 51, 52, 54-59;
81/125.1, 177.1, 119, 124.7, 124.3, 186,
81/431, 176.15, 461.1, 99, 98

CPC B25B 13/14; B25B 13/06; B25B 13/04;
B25B 13/46; B25B 13/00; B25B 7/02;
B25B 13/48; B25B 13/16; B25B 13/505

See application file for complete search history.

Primary Examiner — Keli L Hill

Assistant Examiner — Sara S Sahneh

(74) *Attorney, Agent, or Firm* — Andrew F. Young, Esq.;
Nolte Lackenbach Siegel

(57)

CLAIM

The ornamental design for a progressive tooth wrench, as shown and described.

DESCRIPTION

(56) **References Cited**

U.S. PATENT DOCUMENTS

D218,139 S * 7/1970 Anthan D8/16
D351,541 S * 10/1994 Smith D8/28
D410,826 S * 6/1999 Hsieh D8/28
D411,945 S * 7/1999 Chen D8/28
D414,995 S * 10/1999 Hsieh D8/17
D420,873 S * 2/2000 Hsieh D8/28
D434,956 S * 12/2000 Macor D8/22
D465,976 S * 11/2002 Wang D8/17
D628,866 S * 12/2010 Serret D8/17
D642,027 S * 7/2011 Serret D8/17
D672,625 S * 12/2012 Serret D8/17
D770,250 S * 11/2016 Fischer D8/17
D897,171 S * 9/2020 Hodson

FIG. 1 is a front perspective view of a design for my progressive tooth wrench.

FIG. 2 is a left side elevation view of FIG. 1.

FIG. 3 is a right side elevation view of FIG. 1.

FIG. 4 is a front side elevation view of FIG. 1.

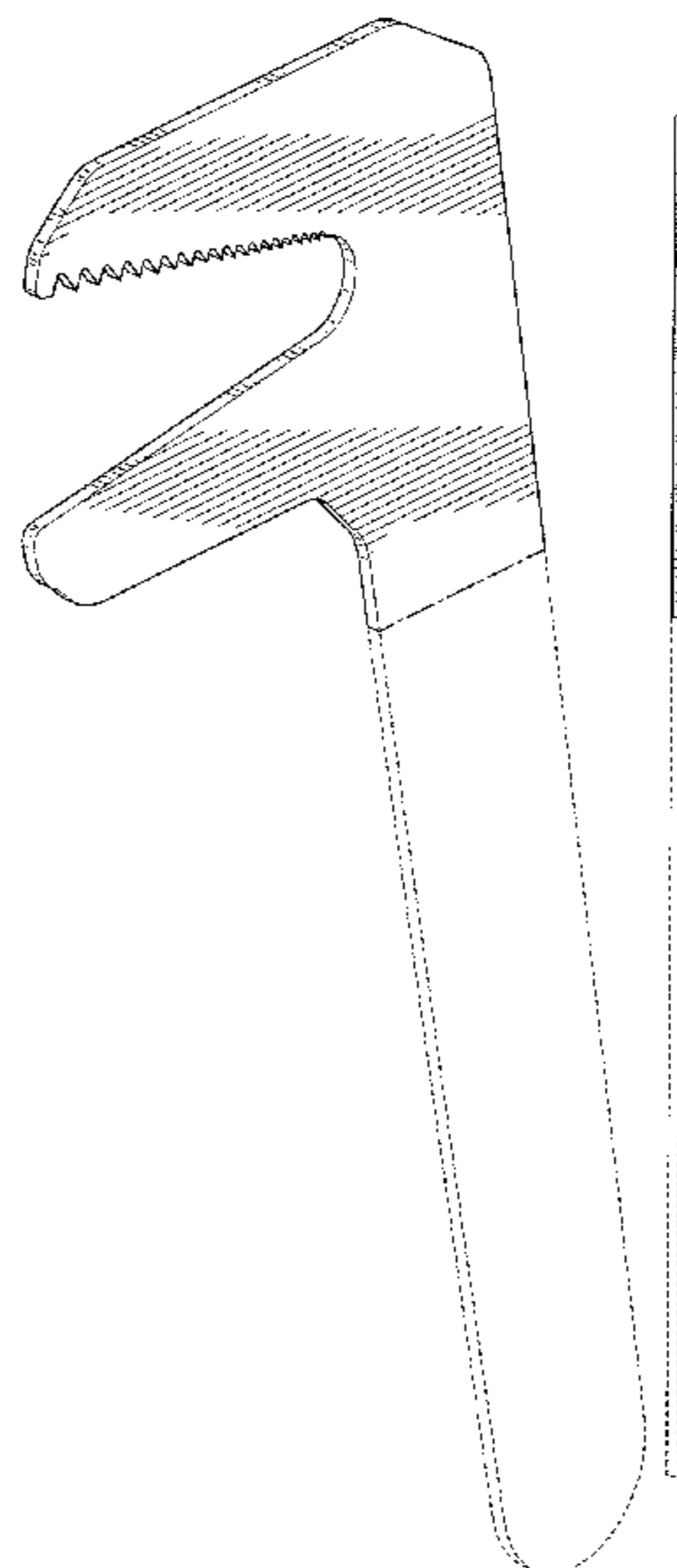
FIG. 5 is a rear side elevation view of FIG. 1.

FIG. 6 is a top plan view of FIG. 1; and,

FIG. 7 is a bottom plan view of FIG. 1.

The dash-dot-dash broken lines illustrate the boundaries of the claimed design. The dash-dash broken lines depict portions of the progressive tooth wrench and forms no part of the claimed design.

1 Claim, 5 Drawing Sheets



(56)

References Cited

FOREIGN PATENT DOCUMENTS

CN	306031582	*	3/2020
KR	301018012.0000	*	8/2018

OTHER PUBLICATIONS

Jegs Store, 81802 Universal Billet Spanner Wrench Set, Date first available Apr. 19, 2012, [online]retrieved Oct. 7, 2020, available from internet, www.amazon.com (Year: 2012).*

Uxcell Store, Collet Chuck Spanner Wrench CNC Milling (ER-32UM) for Clamping Nut and Screw, Date first available Jun. 11, 2018, [online]retrieved Oct. 6, 2020, available from internet, www.amazon.com (Year: 2018).*

EMR, Spanner Nut Wrench for Locknut Wrench for Nut Removal and Tighten for pipe fitting and collet nut. Date first available Jun. 3, 2020, [online]retrieved Oct. 7, 2020, available from internet, www.amazon.com (Year: 2020).*

* cited by examiner

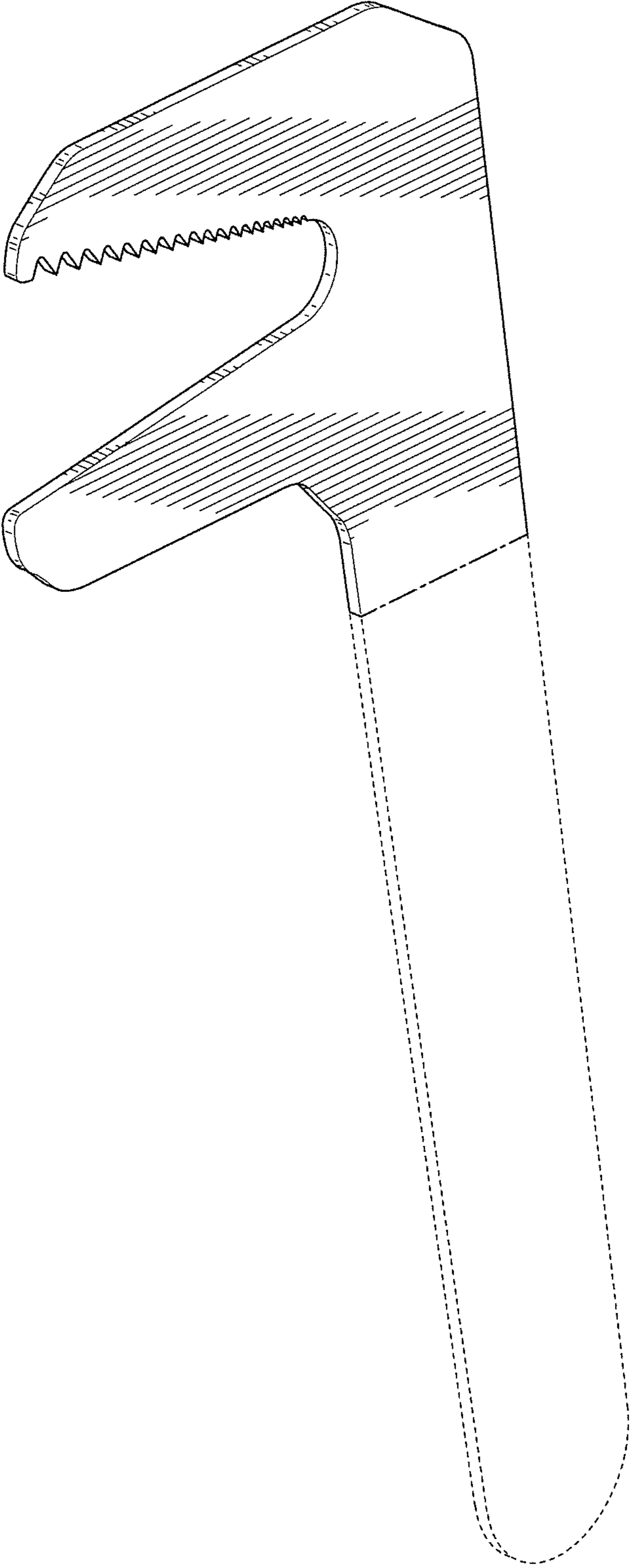


FIG. 1



FIG. 2



FIG. 3

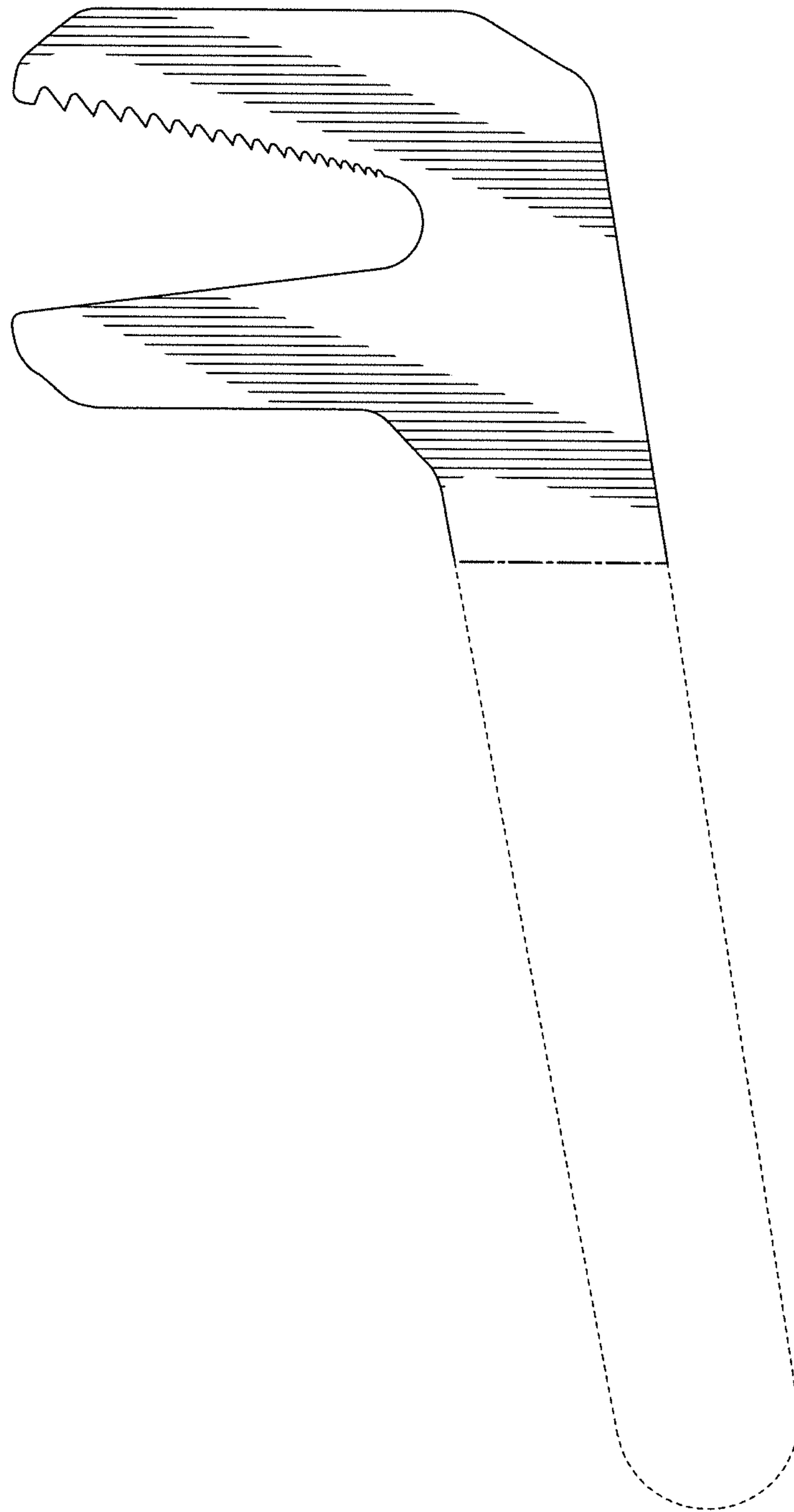


FIG. 4

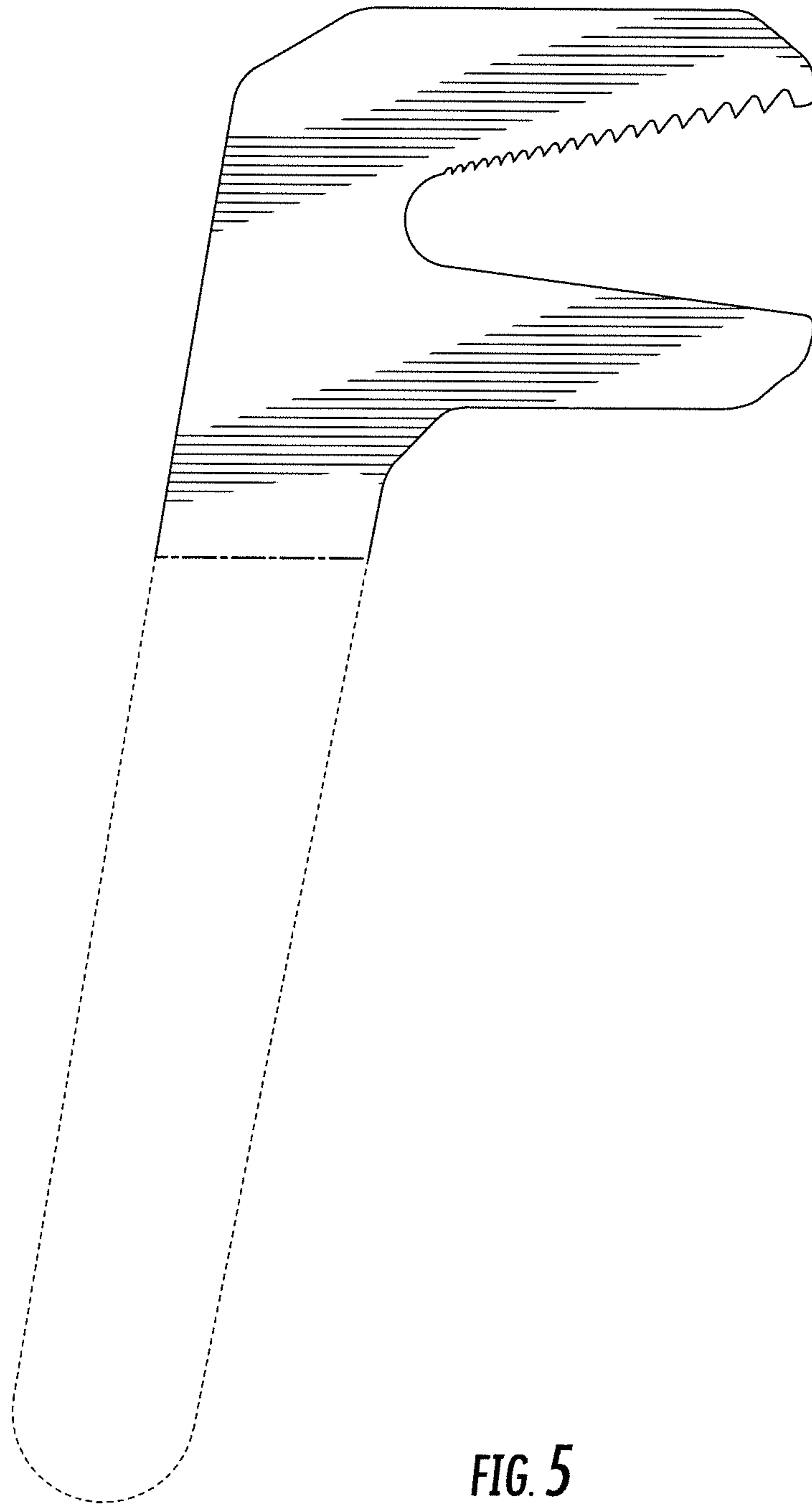


FIG. 5



FIG. 6



FIG. 7