



US00D903446S

(12) **United States Design Patent** (10) **Patent No.:** **US D903,446 S**
Wnuk (45) **Date of Patent:** **** Dec. 1, 2020**

(54) **TUBULAR APPLICATOR**

8,087,550 B2 * 1/2012 Schneider B05C 17/00576
222/325

(71) Applicant: **Dale R. Wnuk**, Sussex, WI (US)

8,551,572 B1 10/2013 Tait et al.
D725,978 S * 4/2015 Uematsu D8/14.1

(72) Inventor: **Dale R. Wnuk**, Sussex, WI (US)

(Continued)

(**) Term: **15 Years**

OTHER PUBLICATIONS

(21) Appl. No.: **29/687,112**

Cabela's LLC, Cabela's 15" Jerky Blaster, Sidney NE, <https://www.cabelas.com/product/CABELAS-JERKY-BLASTER/1969432.uts>.

(22) Filed: **Apr. 10, 2019**

(Continued)

(51) **LOC (12) Cl.** **08-05**

(52) **U.S. Cl.**

USPC **D8/14.1**

(58) **Field of Classification Search**

USPC D8/14, 14.1, 51, 68; D7/672; D24/130,
D24/112

CPC B05C 1/00; B05C 17/00; B05C 17/01;
B05C 17/0016; B05C 17/0123; B05C
21/00

See application file for complete search history.

Primary Examiner — Philip S Hyder

(74) *Attorney, Agent, or Firm* — Smith Keane LLP

(57)

CLAIM

The ornamental design for a tubular applicator, as shown and described.

DESCRIPTION

FIG. 1 is a first perspective view of the tubular applicator; FIG. 2 is a second perspective view of the embodiment of FIG. 1; FIG. 3 is a third perspective view of the embodiment of FIG. 1; FIG. 4 is a left elevation view of the embodiment of FIG. 1; FIG. 5 is a right elevation view of the embodiment of FIG. 1; FIG. 6 is a front elevation view of the embodiment of FIG. 1; FIG. 7 is a rear elevation view of the embodiment of FIG. 1; FIG. 8 is a top plan view of the embodiment of FIG. 1; and, FIG. 9 is a bottom plan view of the embodiment of FIG. 1. Elements shown in broken lines are for illustrative purposes only and form no part of the claimed design.

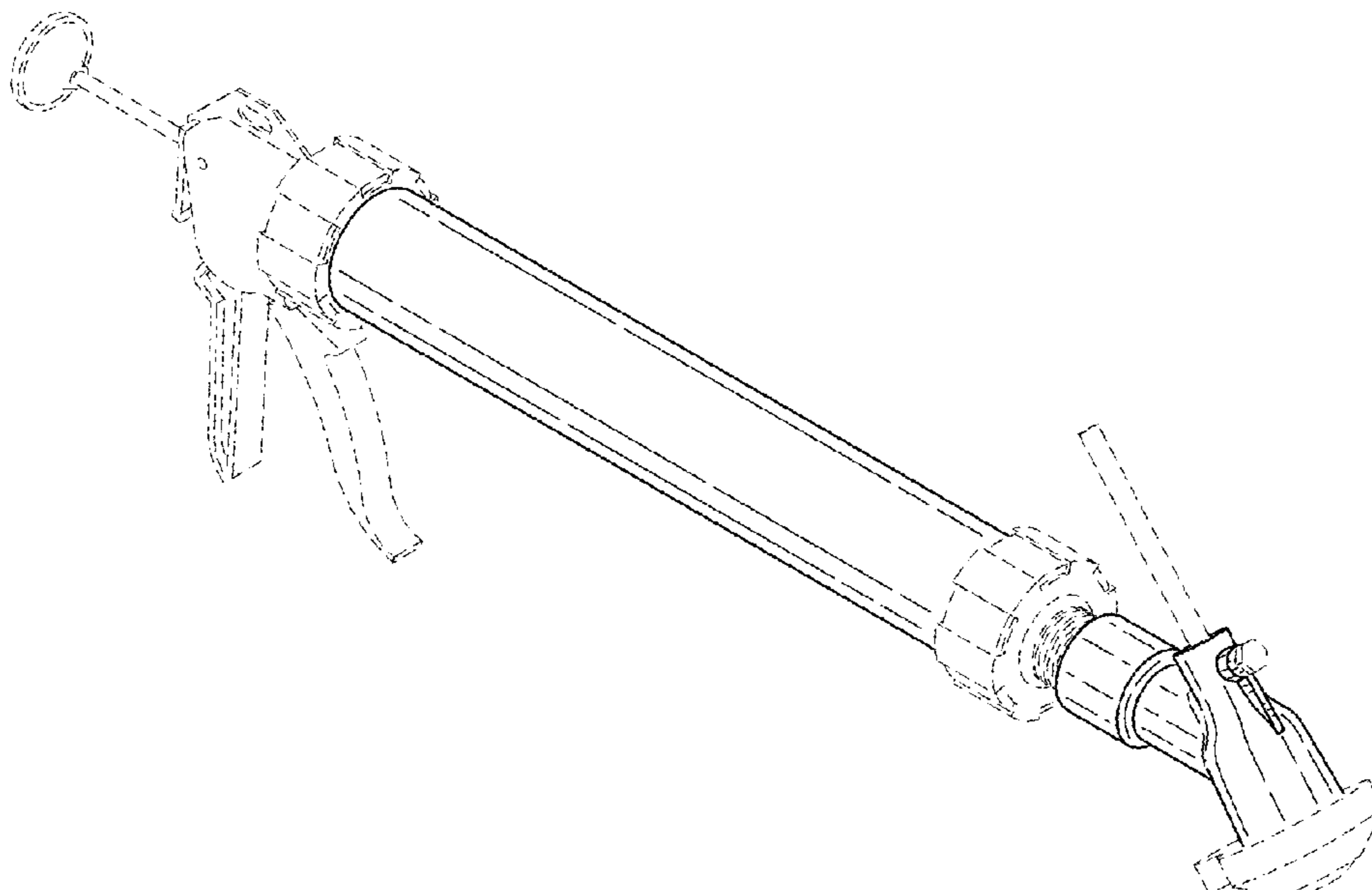
(56)

References Cited

U.S. PATENT DOCUMENTS

3,987,939 A * 10/1976 Pedone, Jr. B05C 17/01
222/325
4,493,436 A * 1/1985 Brokaw B05C 17/00553
222/137
4,690,306 A * 9/1987 Staheli B05C 17/00513
222/137
4,934,596 A 6/1990 Hilton et al.
D348,811 S * 7/1994 Albers D8/14.1
6,152,333 A * 11/2000 Binder B05C 17/015
222/333
6,155,463 A * 12/2000 Dentler B05C 17/01
222/165
6,311,871 B1 * 11/2001 Binder B05C 17/00516
222/145.6
D545,152 S * 6/2007 Lopano D8/14.1
D573,425 S * 7/2008 Post D8/14.1
7,393,342 B2 * 7/2008 Henniges A61B 17/8822
222/327

1 Claim, 8 Drawing Sheets



(56)

References Cited

U.S. PATENT DOCUMENTS

9,757,763 B2* 9/2017 DiSiro B05C 17/01
9,889,456 B2 2/2018 Vanvalkenburgh
2018/0021076 A1* 1/2018 Vogt B01F 7/007
606/94
2018/0215524 A1* 8/2018 Springhorn B65D 83/0044

OTHER PUBLICATIONS

Astro Pneumatic Tool Company, Caulking Gun, Deluxe Manual,
<https://www.amazon.com/Astro-4531-Deluxe-Manual-Caulking/dp/B000RH4G5G>.

Super Buy, Super buy 1.45 Gallon Air Hopper Spray Gun Paint
Texture Tool Drywall Wall Painting Sprayer w/3 Nozzle, <https://www.amazon.com/Super-buy-Texture-Drywall-Painting/dp/B00S0D4DNO>.

Laco, Laco Drywall Texture Sprayer Patch Gun, Hand Pump,
<https://www.all-wall.com/Categories/Drywall-Patch-Suns/Laco-TG950-Texture-Gun.html>.

* cited by examiner

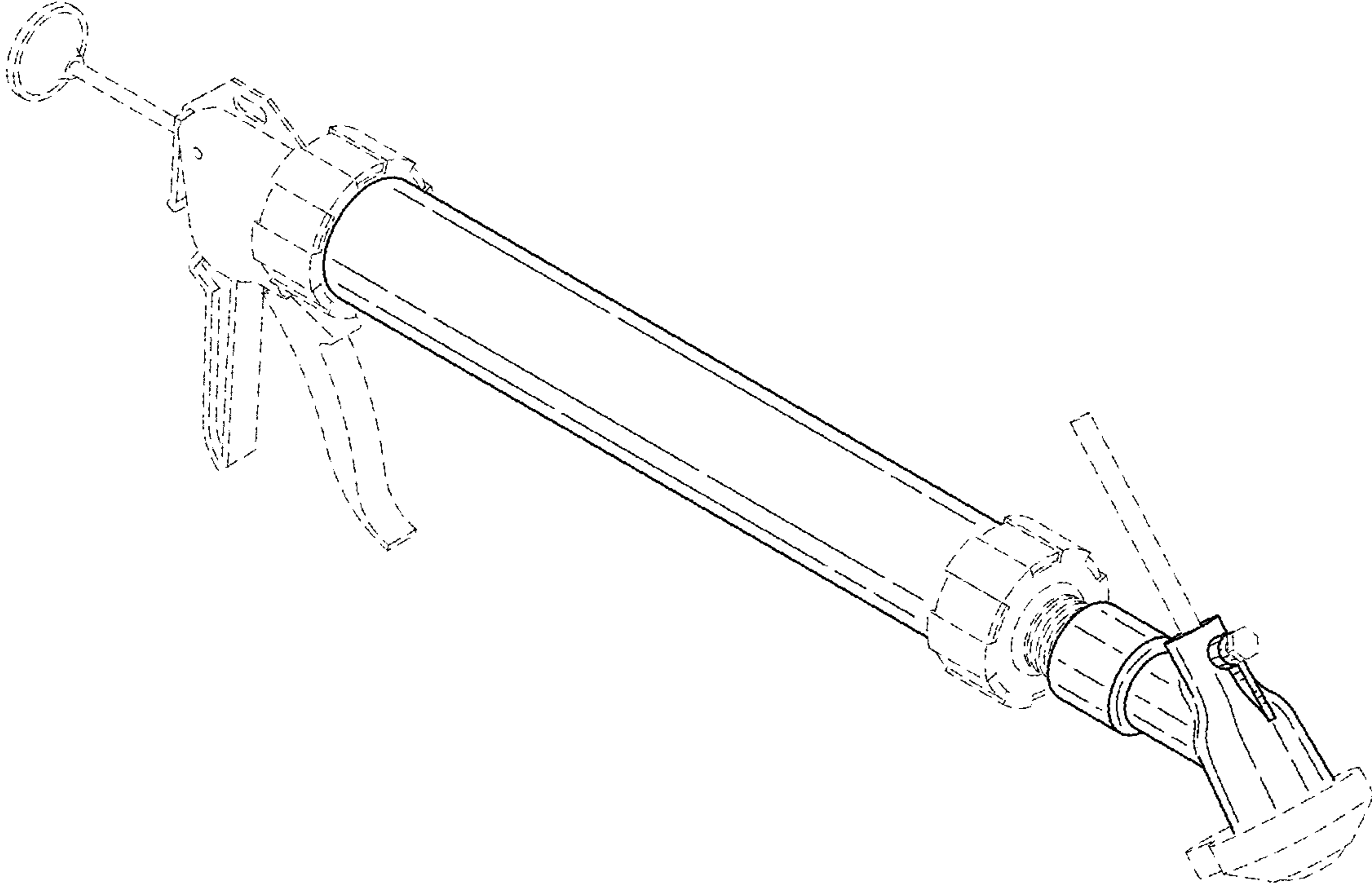


FIG. 1

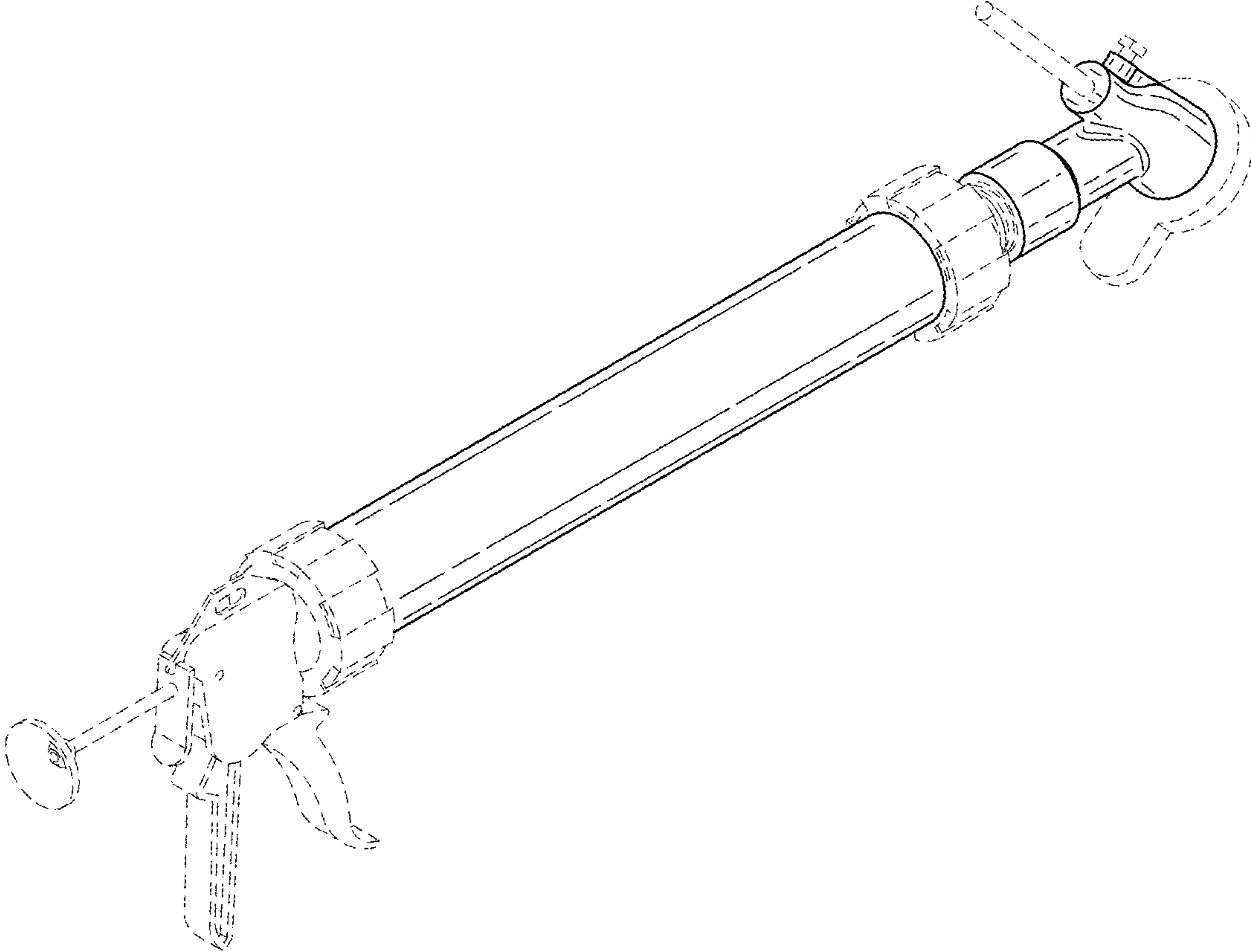


FIG. 2

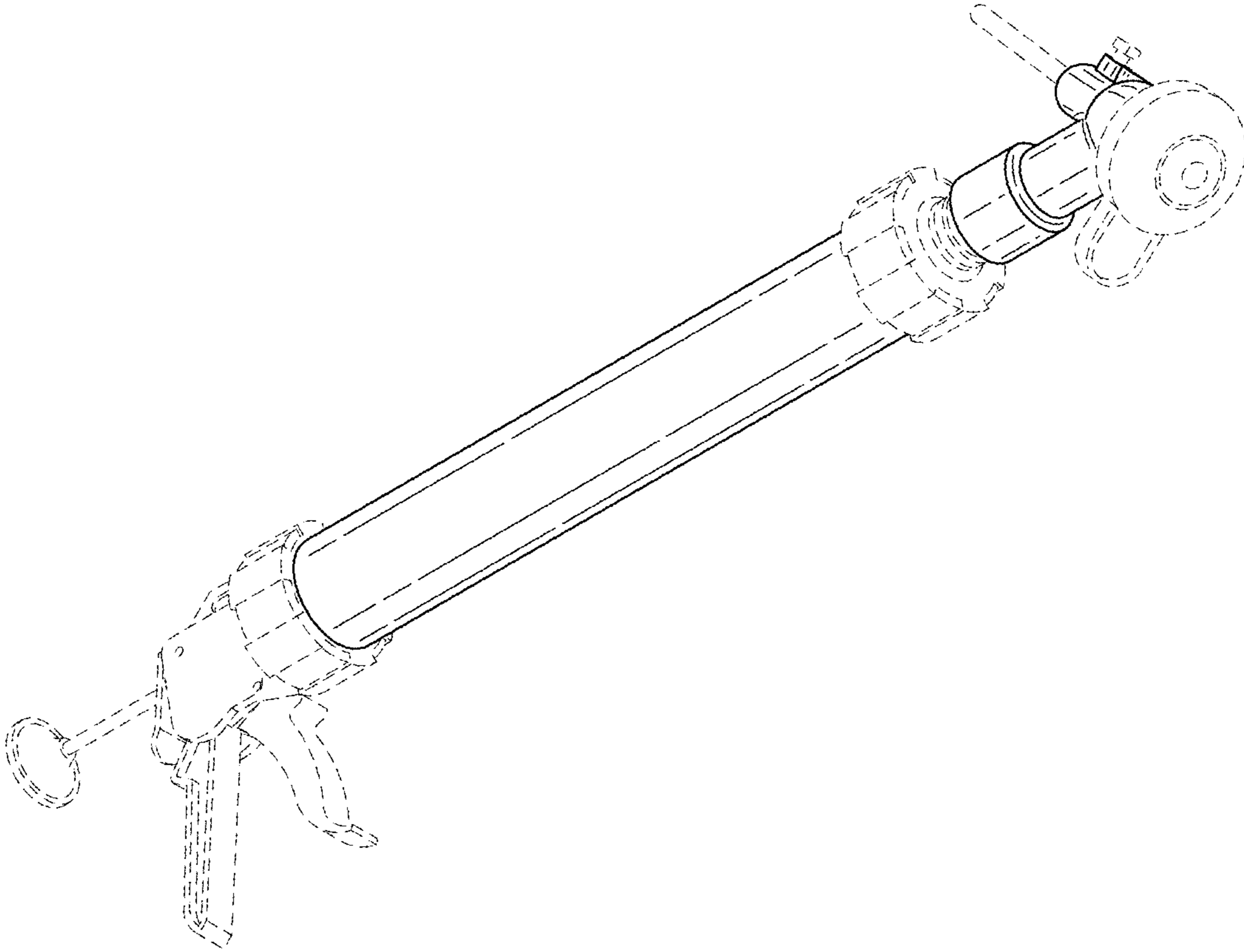


FIG. 3

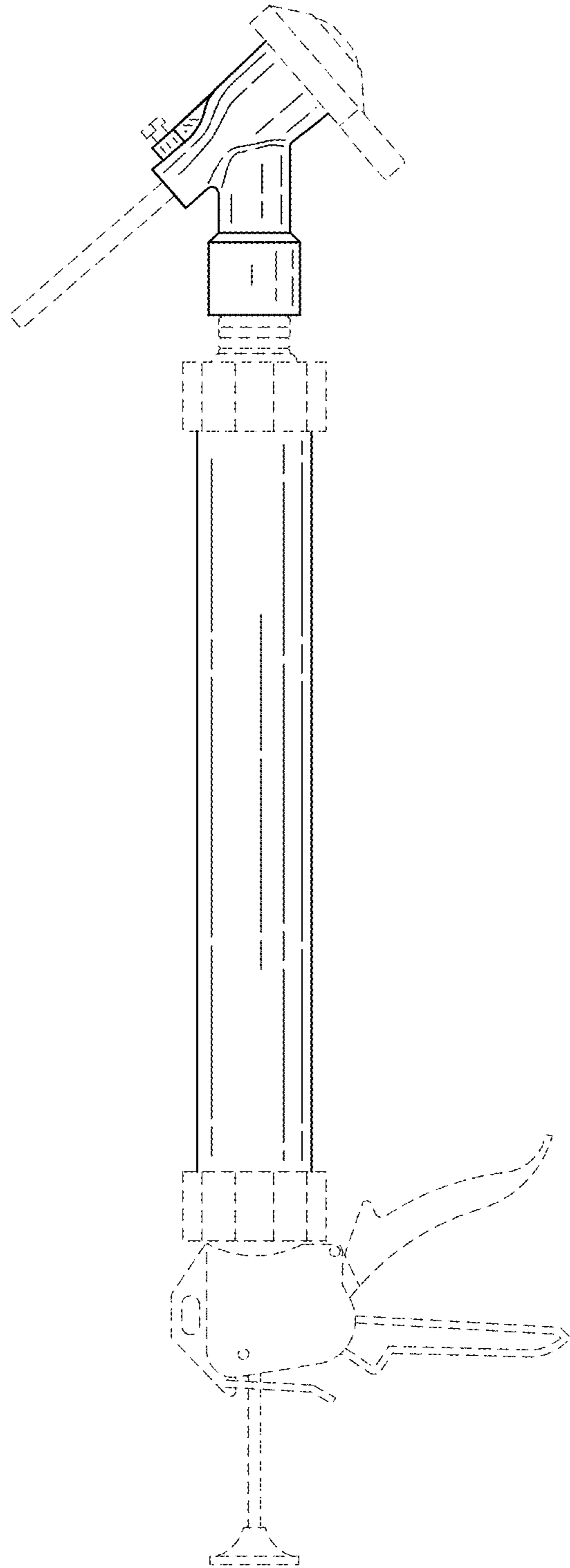


FIG. 4

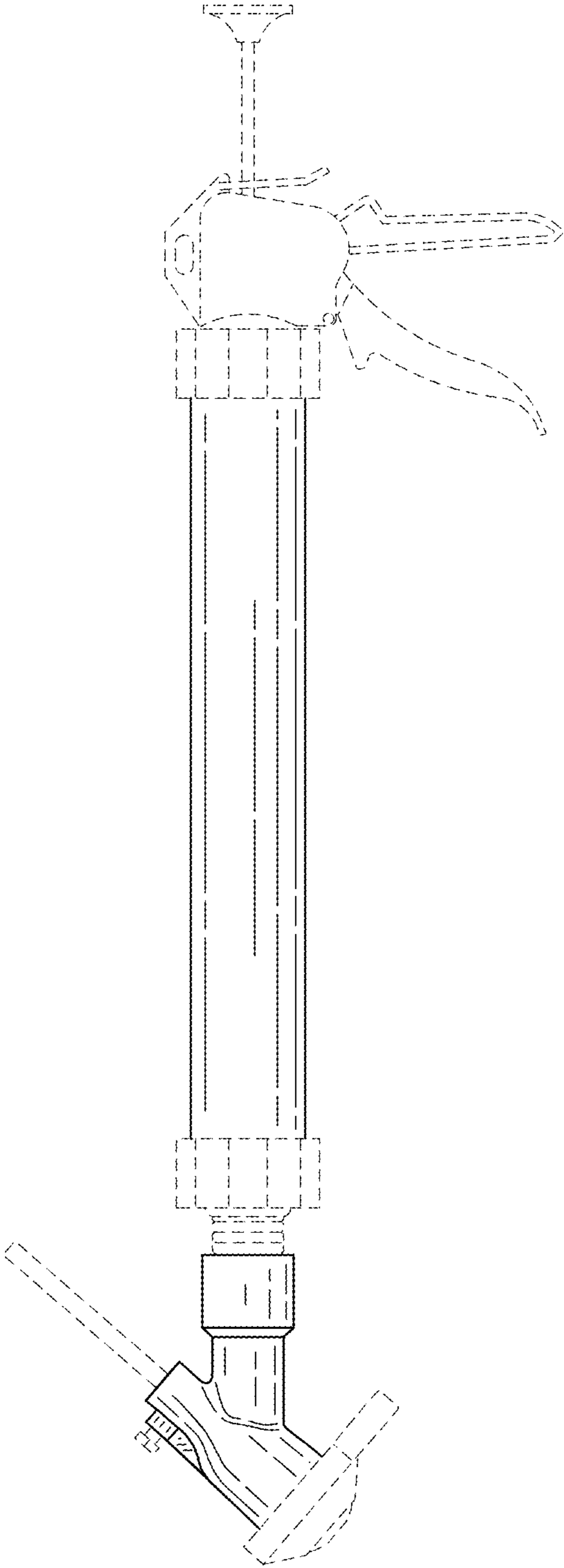


FIG. 5

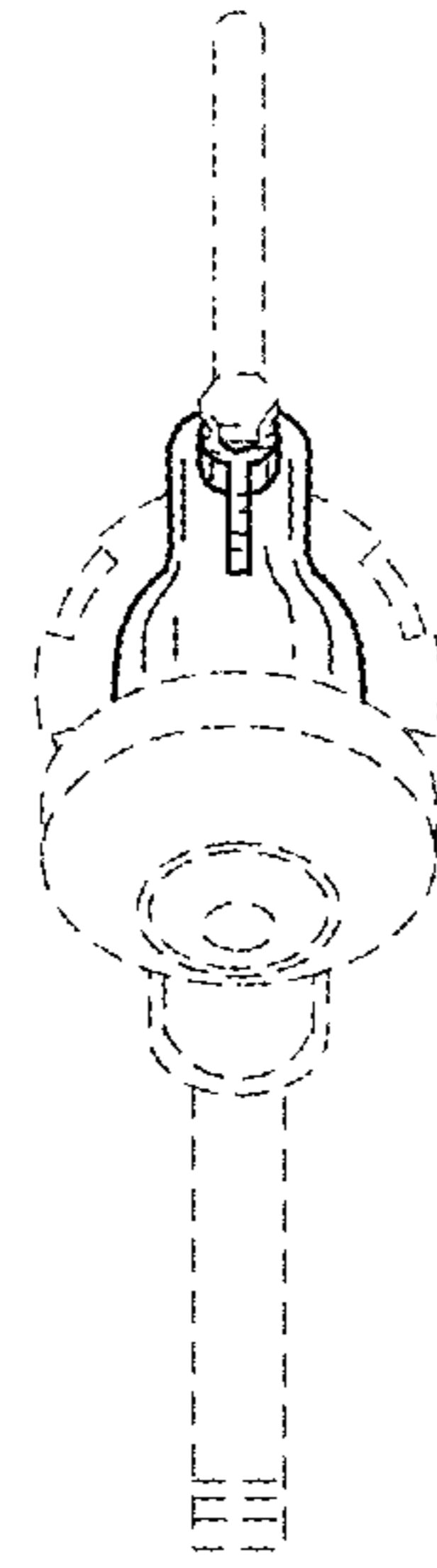


FIG. 6

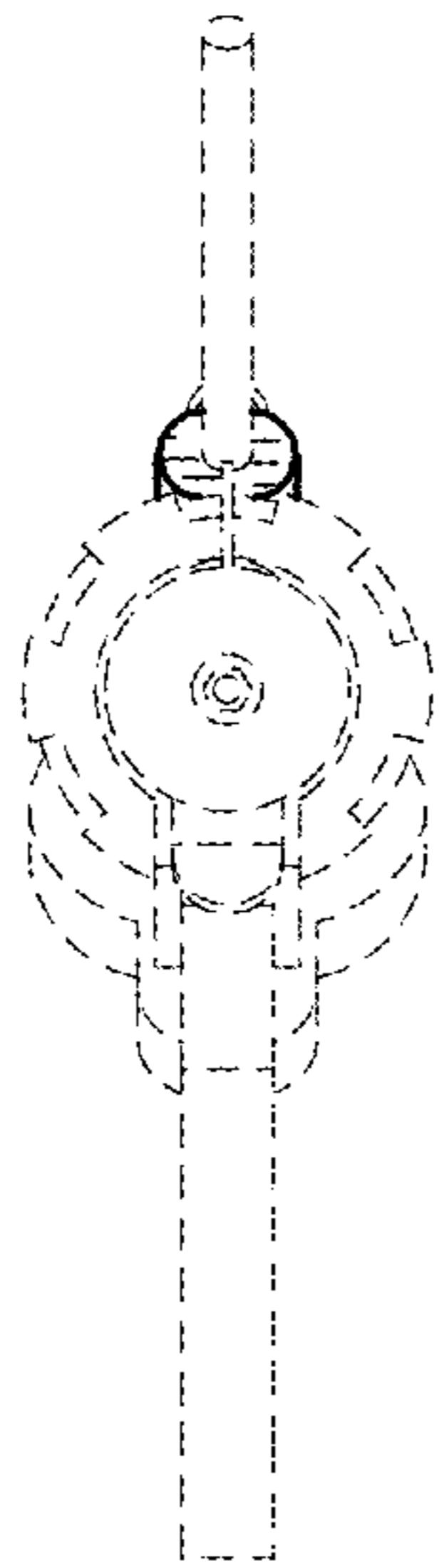


FIG. 7

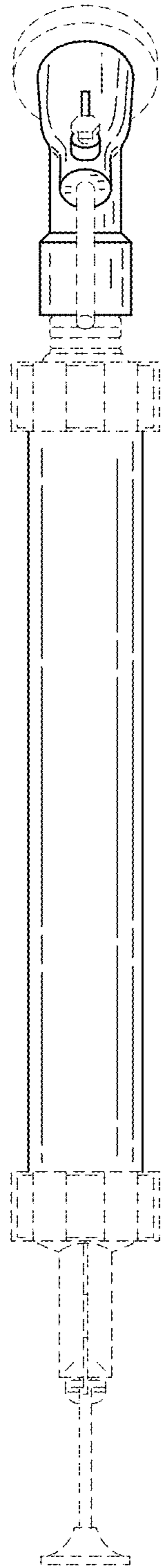


FIG. 8

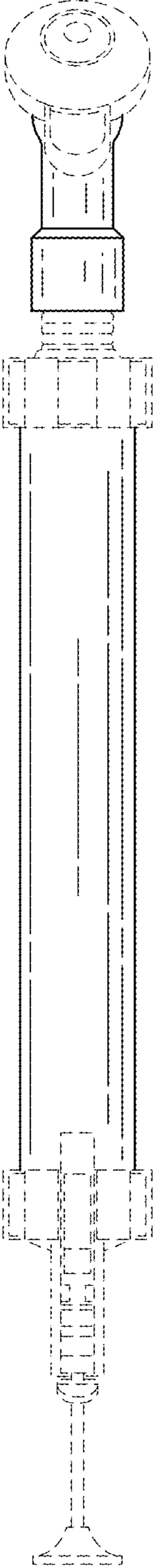


FIG. 9